



US00D587901S

(12) **United States Design Patent**
Pidgeon et al.

(10) **Patent No.:** **US D587,901 S**
(45) **Date of Patent:** **** Mar. 10, 2009**

(54) **BAG**

(75) Inventors: **Andy Duncan Pidgeon**, Cambs (GB);
Richard Mann, Cambridge (GB)

(73) Assignee: **Smith & Nephew PLC**, London,
England (GB)

(**) Term: **14 Years**

(21) Appl. No.: **29/294,234**

(22) Filed: **Dec. 28, 2007**

(30) **Foreign Application Priority Data**

Jul. 2, 2007 (EM) 000750120-0001

(51) **LOC (9) Cl.** **03-01**

(52) **U.S. Cl.** **D3/232**

(58) **Field of Classification Search** D3/203.1,
D3/273, 290, 287; 206/570

See application file for complete search history.

(56) **References Cited**

U.S. PATENT DOCUMENTS

| | | | | |
|--------------|---------|------------------|-------|----------|
| D408,625 S * | 4/1999 | Barker | | D3/203.1 |
| D543,691 S * | 6/2007 | Payne et al. | | D3/203.1 |
| D545,055 S * | 6/2007 | Lieberman et al. | | D3/203.1 |
| D548,954 S * | 8/2007 | Andersen et al. | | D3/203.1 |
| D556,444 S * | 12/2007 | Ipsen et al. | | D3/203.1 |

OTHER PUBLICATIONS

U.S. Appl. No. 29/294,217, filed Dec. 28, 2007, Pidgeon et al.
U.S. Appl. No. 29/294,224, filed Dec. 28, 2007, Pidgeon et al.
U.S. Appl. No. 29/294,240, filed Dec. 28, 2007, Pidgeon et al.

* cited by examiner

Primary Examiner—Holly H Baynham

(74) *Attorney, Agent, or Firm*—Klarquist Sparkman, LLP

(57) **CLAIM**

We claim the ornamental design for a bag, as shown and described.

DESCRIPTION

FIG. 1 is a front elevation view of a bag, shown with a front flap folded back.

FIG. 2 is a top plan view of the bag of FIG. 1.

FIG. 3 is a bottom plan view of the bag of FIG. 1.

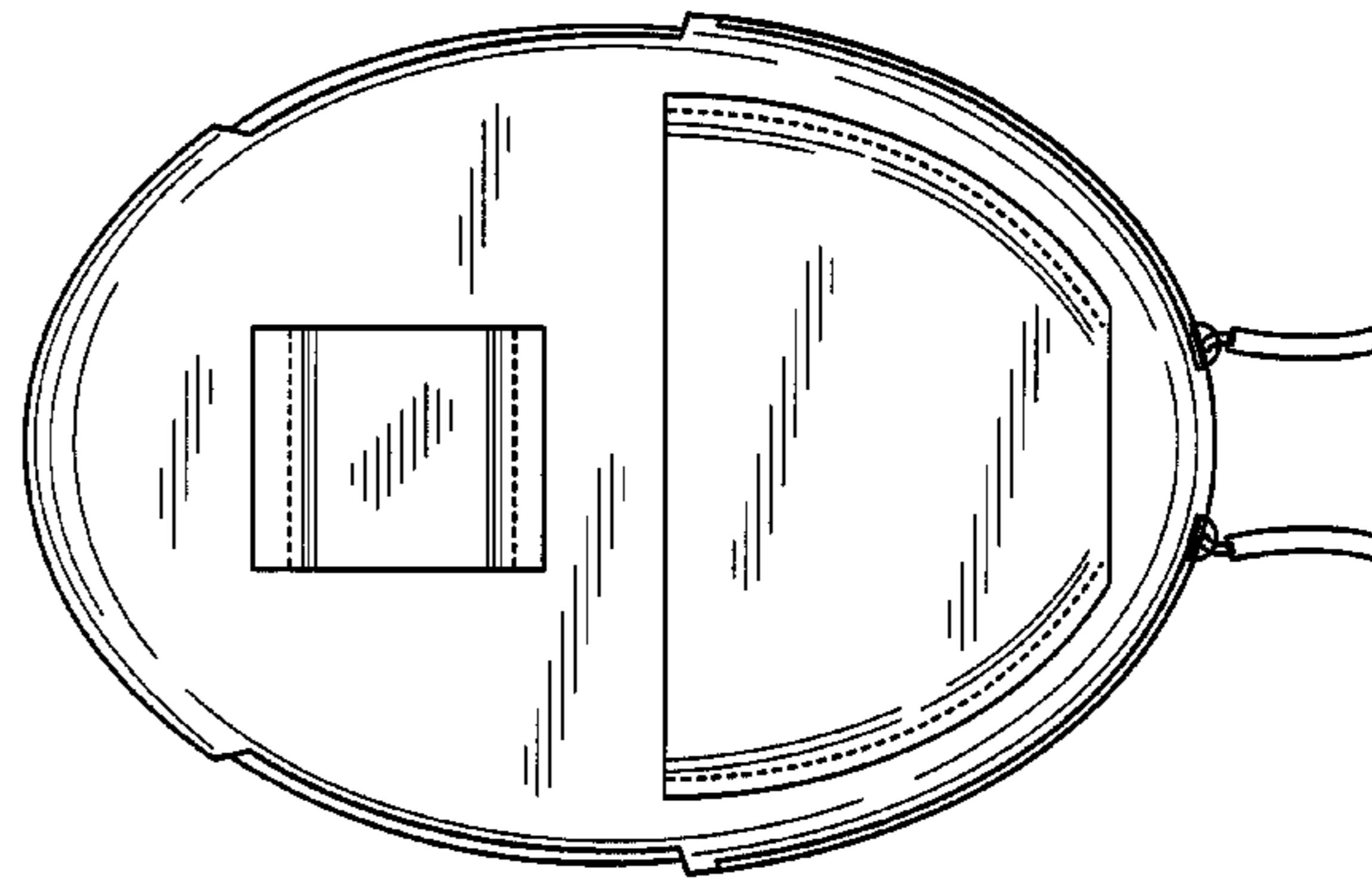
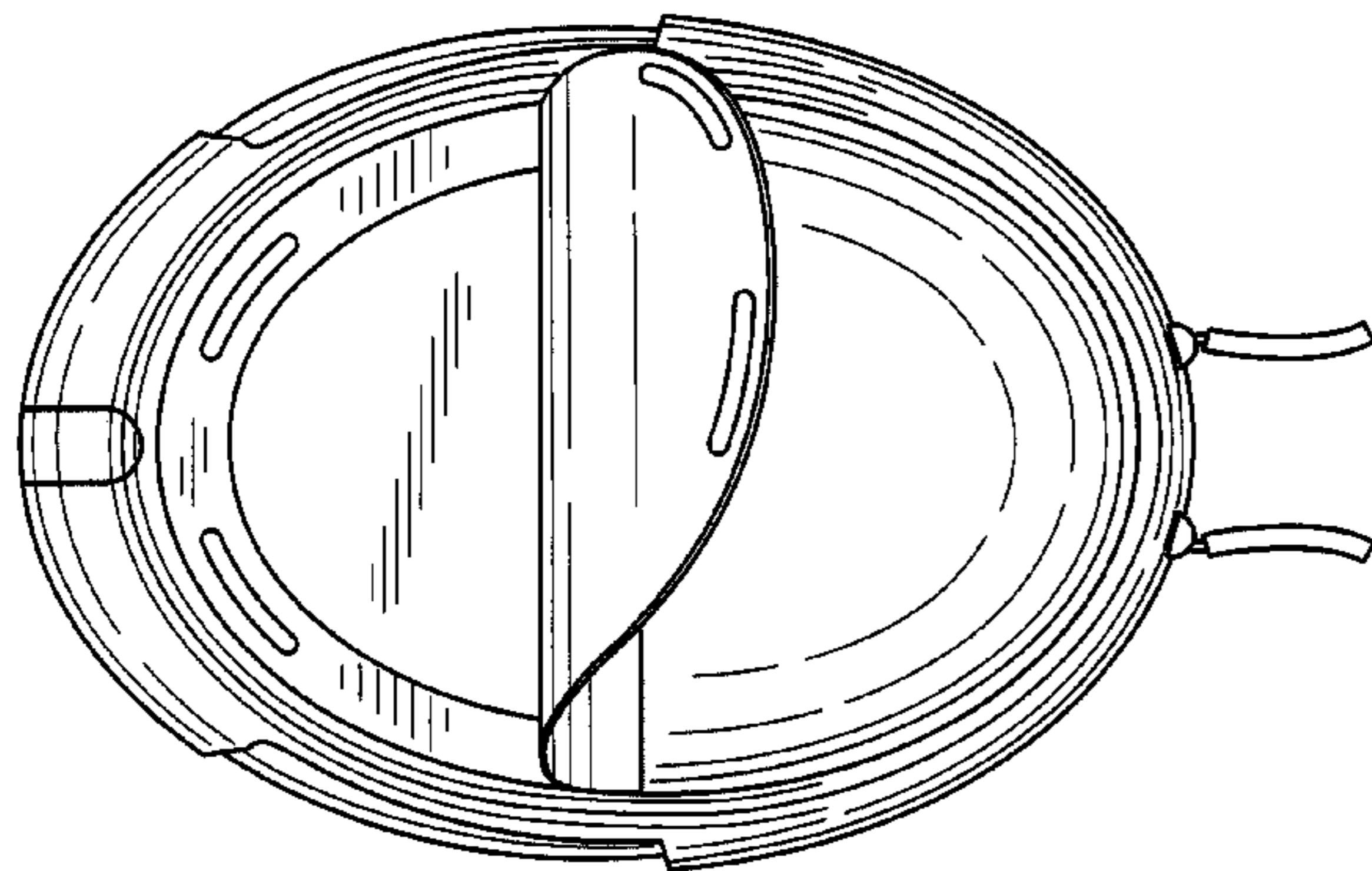
FIG. 4 is a rear elevation view of the bag of FIG. 1.

FIG. 5 is a left elevation view of the bag of FIG. 1, shown with the front flap folded back; and,

FIG. 6 is a right elevation view of the bag of FIG. 1, shown with the front flap folded back.

The dashed lines in FIG. 4 represent stitching on the bag.

1 Claim, 3 Drawing Sheets



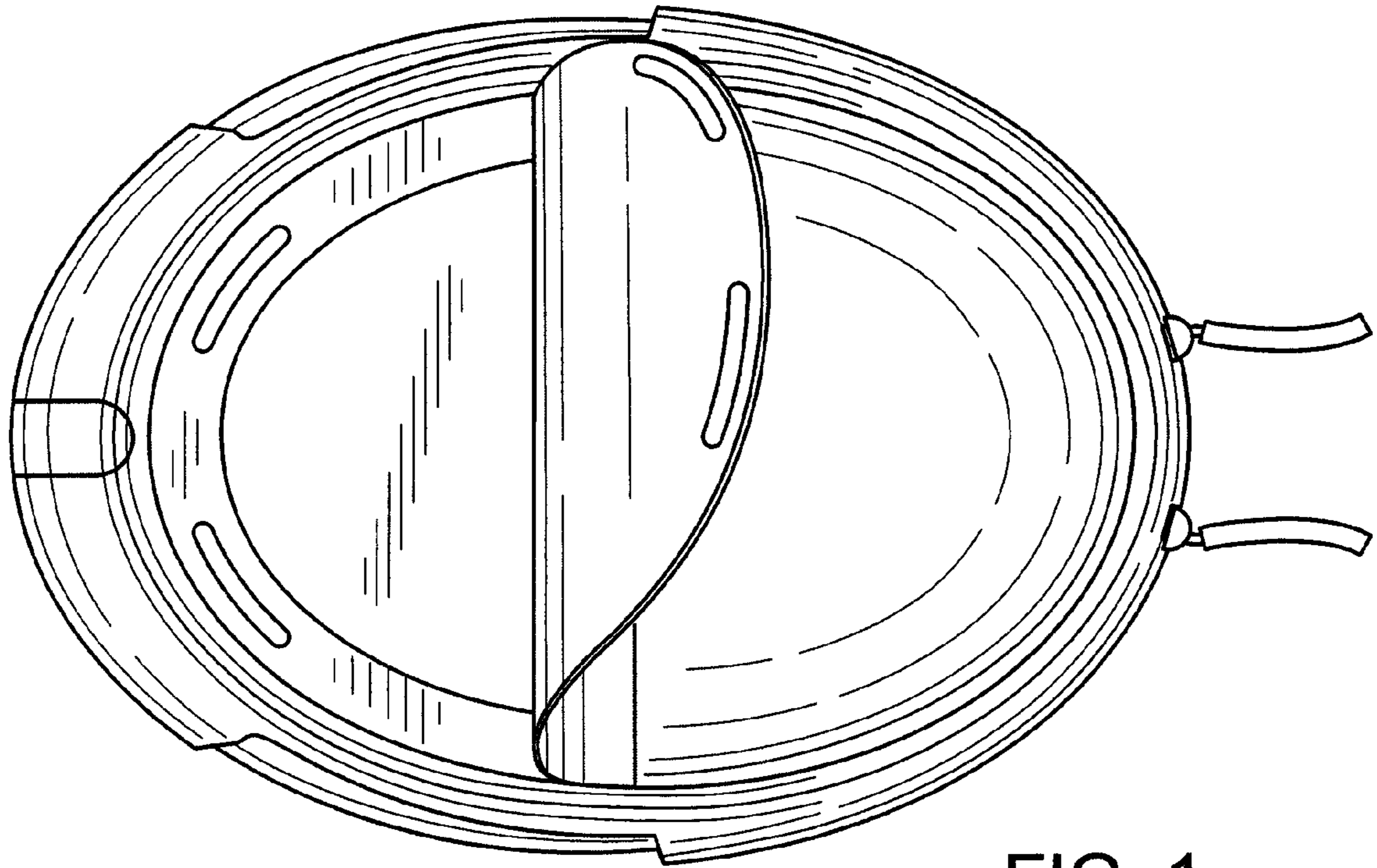


FIG. 1

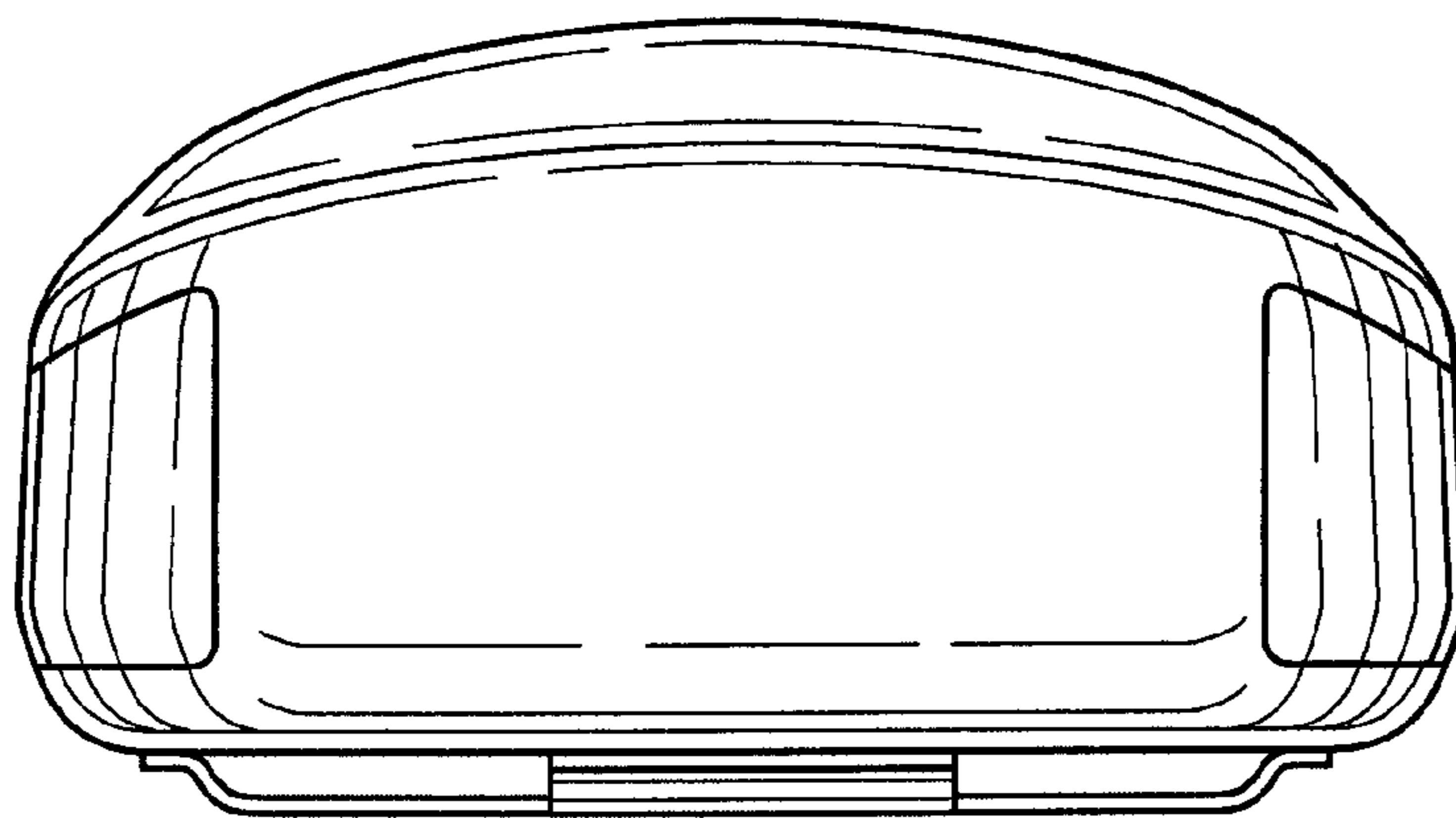


FIG. 2

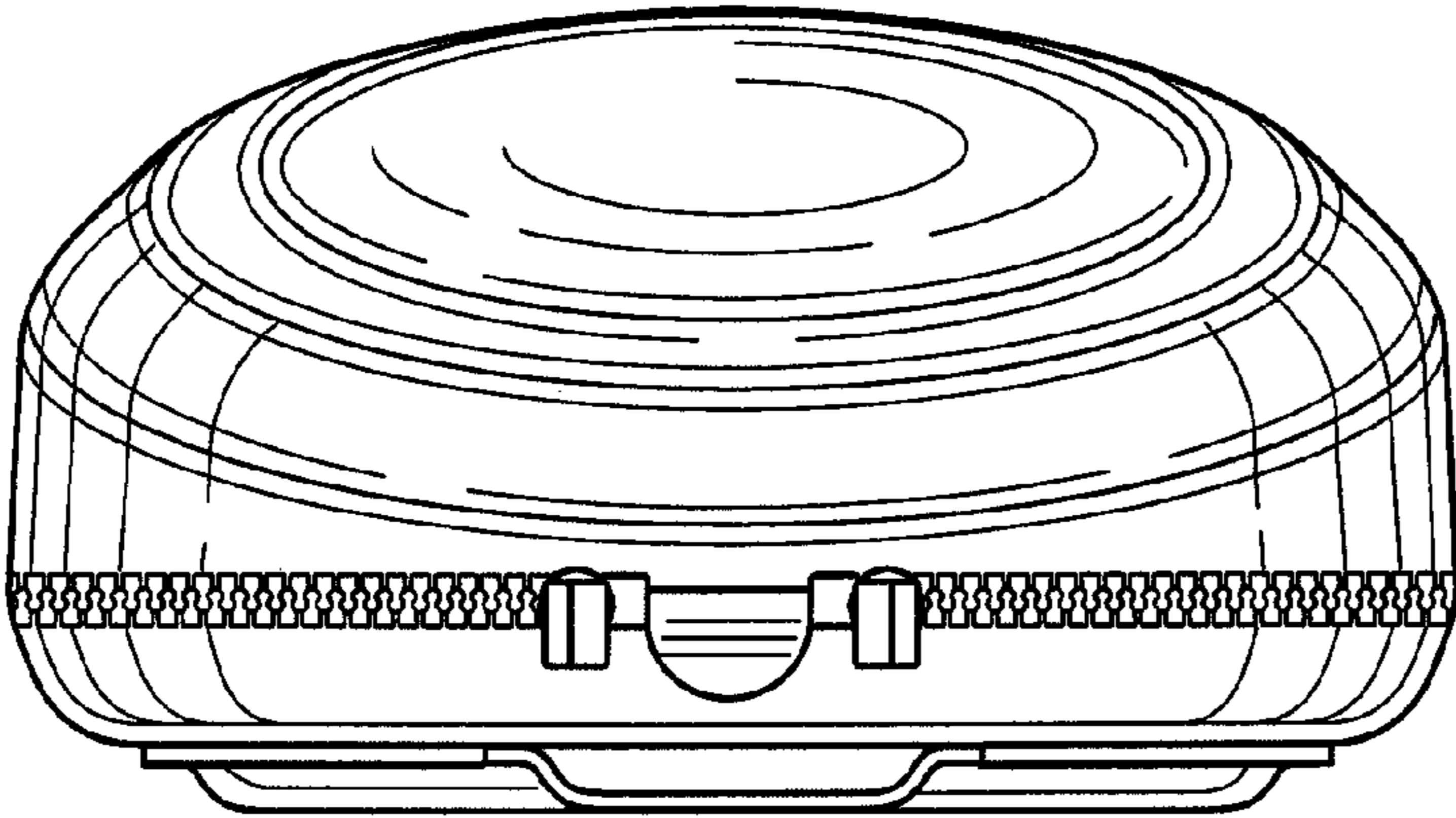


FIG. 3

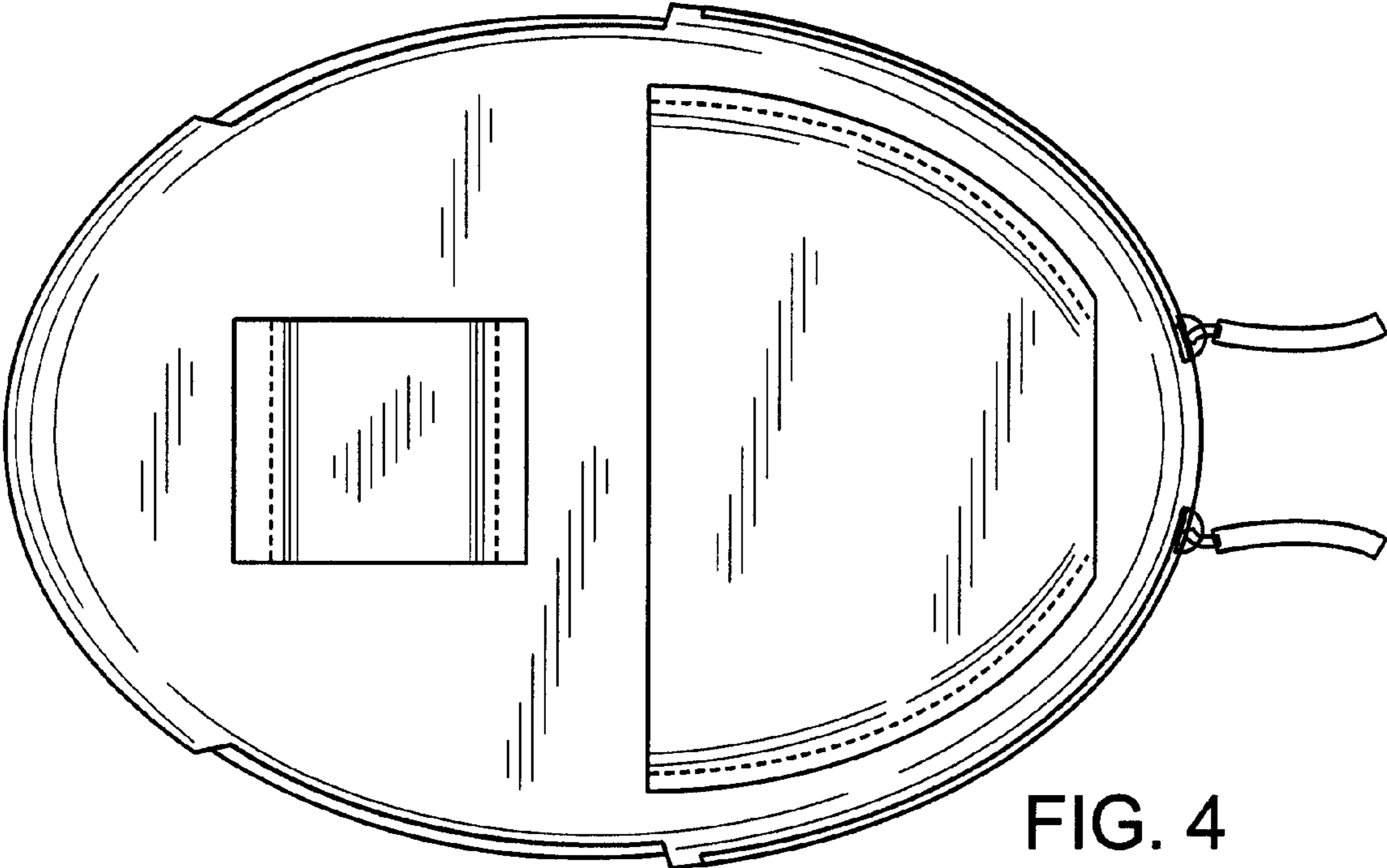


FIG. 4

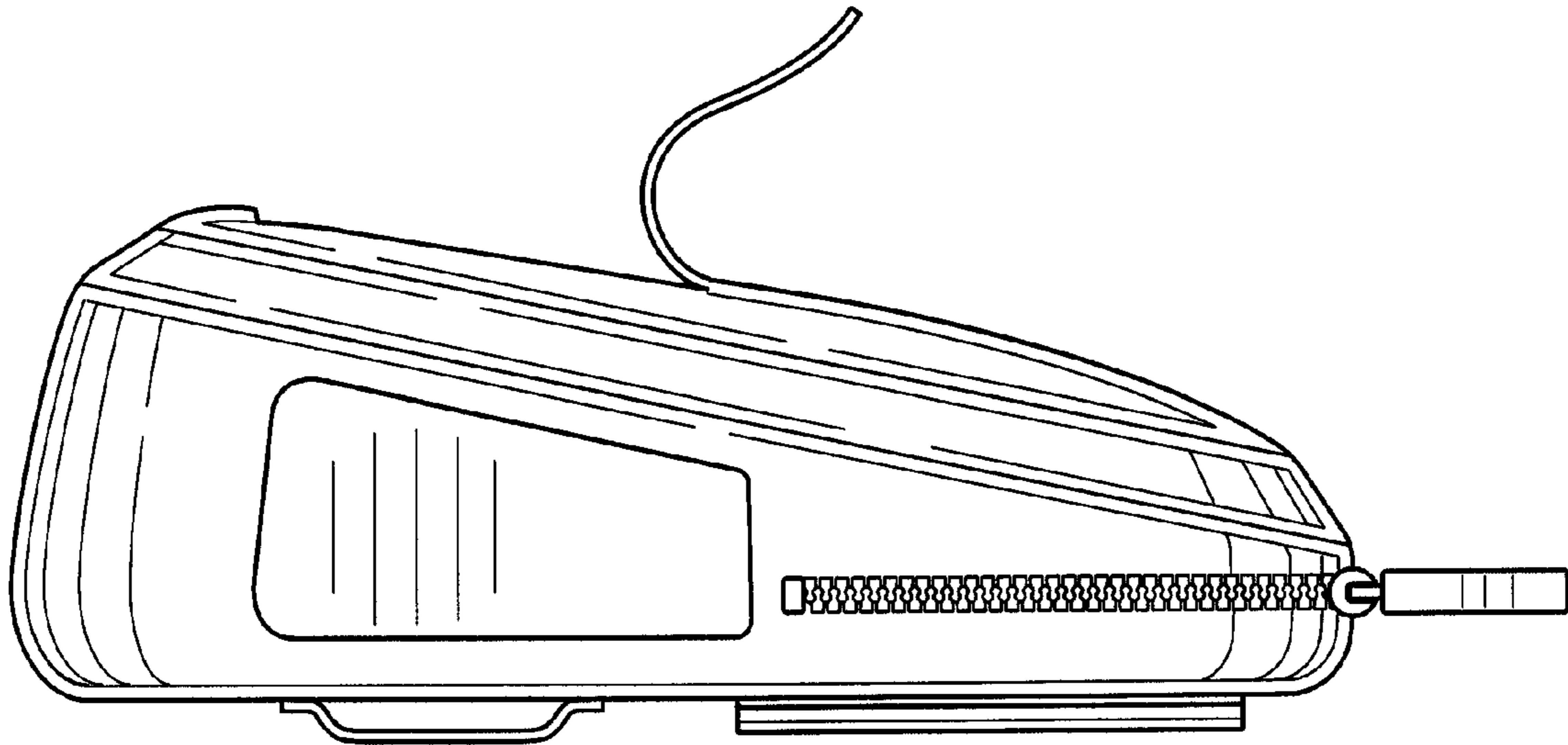


FIG. 5

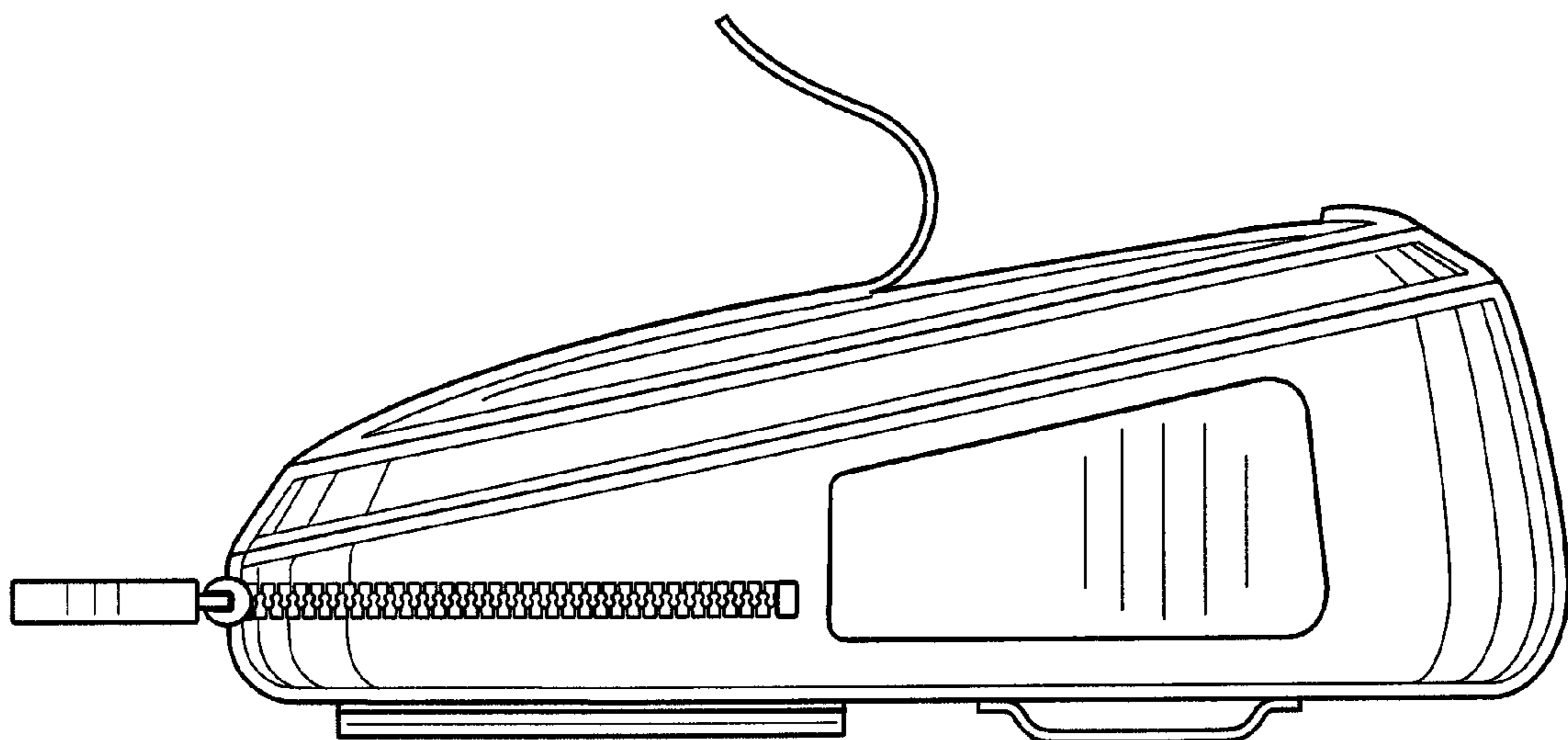


FIG. 6