



US00D587900S

(12) **United States Design Patent**
Tosa

(10) **Patent No.:** **US D587,900 S**
(45) **Date of Patent:** **** Mar. 10, 2009**

(54) **MULTIANGLE LEVEL KEYCHAIN**

(76) **Inventor:** **Shinji Tosa**, 1710 Mildre Dr., Glendale, CA (US) 91206

(**) **Term:** **14 Years**

(21) **Appl. No.:** **29/307,681**

(22) **Filed:** **May 6, 2008**

(51) **LOC (9) Cl.** **03-01**

(52) **U.S. Cl.** **D3/208; D10/69**

(58) **Field of Classification Search** D3/207-212;
D11/31-33, 44, 48-51, 66; 70/456 R, 456 B,
70/457-460; 24/3.6; D13/168; 362/116;
D8/348; 33/333, 348.2, 379, 370-373; D10/69
See application file for complete search history.

(56) **References Cited**

U.S. PATENT DOCUMENTS

D222,723 S *	12/1971	Ostrager	D10/69
D293,287 S *	12/1987	Cauque et al.	D3/208
4,912,854 A *	4/1990	Weadon	33/348.2
D324,954 S *	3/1992	Lewis	D3/208
6,434,848 B1 *	8/2002	Gordon et al.	33/528
D570,597 S *	6/2008	Klein	D3/207

* cited by examiner

Primary Examiner—R. Seifert

(74) *Attorney, Agent, or Firm*—Raymond Y. Chan; David and Raymond Patent Firm

(57) **CLAIM**

The ornamental design for a multiangle level keychain, as shown and described.

DESCRIPTION

FIG. 1 is a perspective view of multiangle level keychain showing my new design.

FIG. 2 is a front view thereof.

FIG. 3 is a rear view thereof.

FIG. 4 is a right end view thereof.

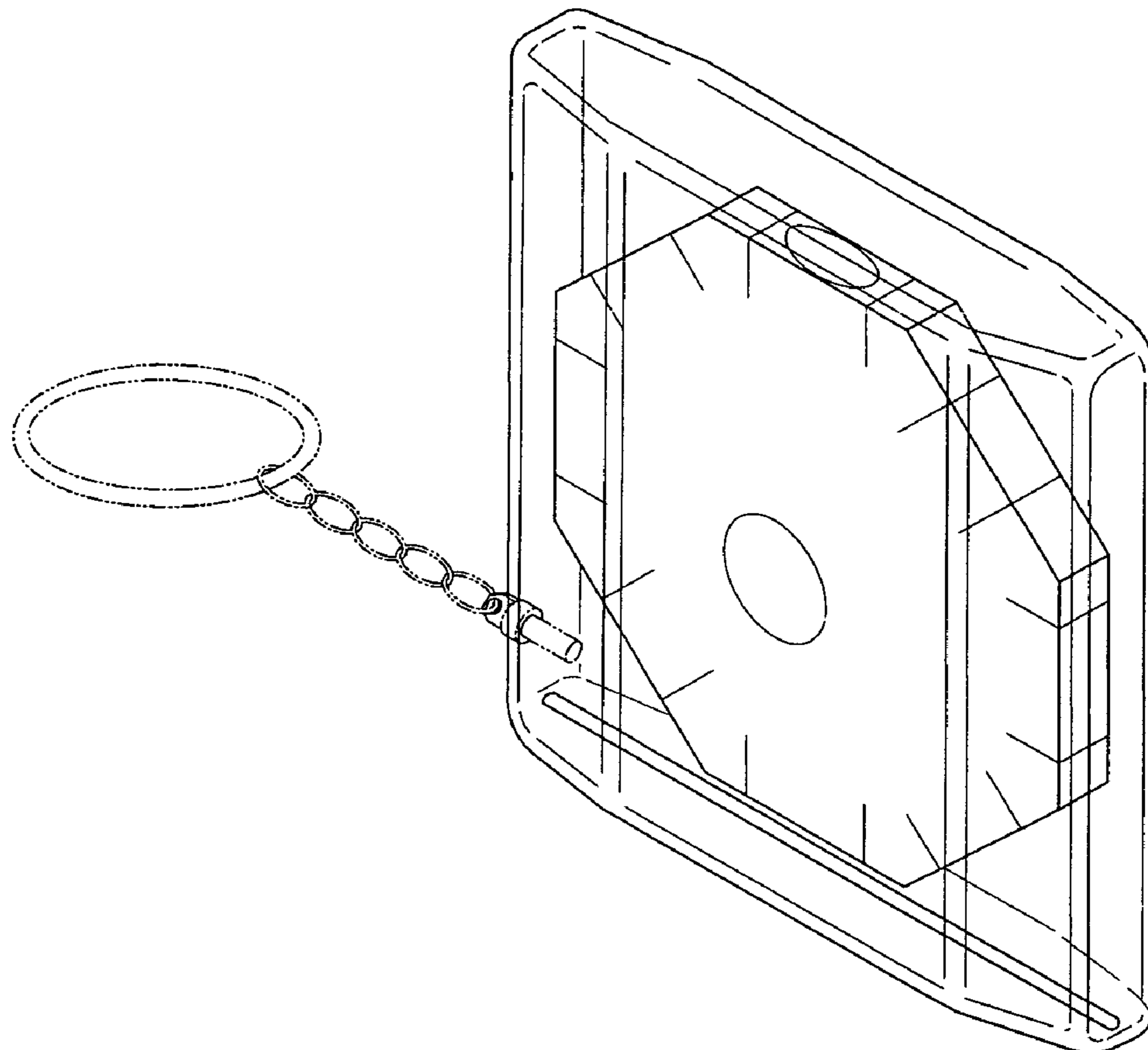
FIG. 5 is a left end view thereof.

FIG. 6 is a top view thereof; and,

FIG. 7 is a bottom view thereof.

It being understood that the broken lines are for illustrative purposes only and form no part of the claimed design.

1 Claim, 7 Drawing Sheets



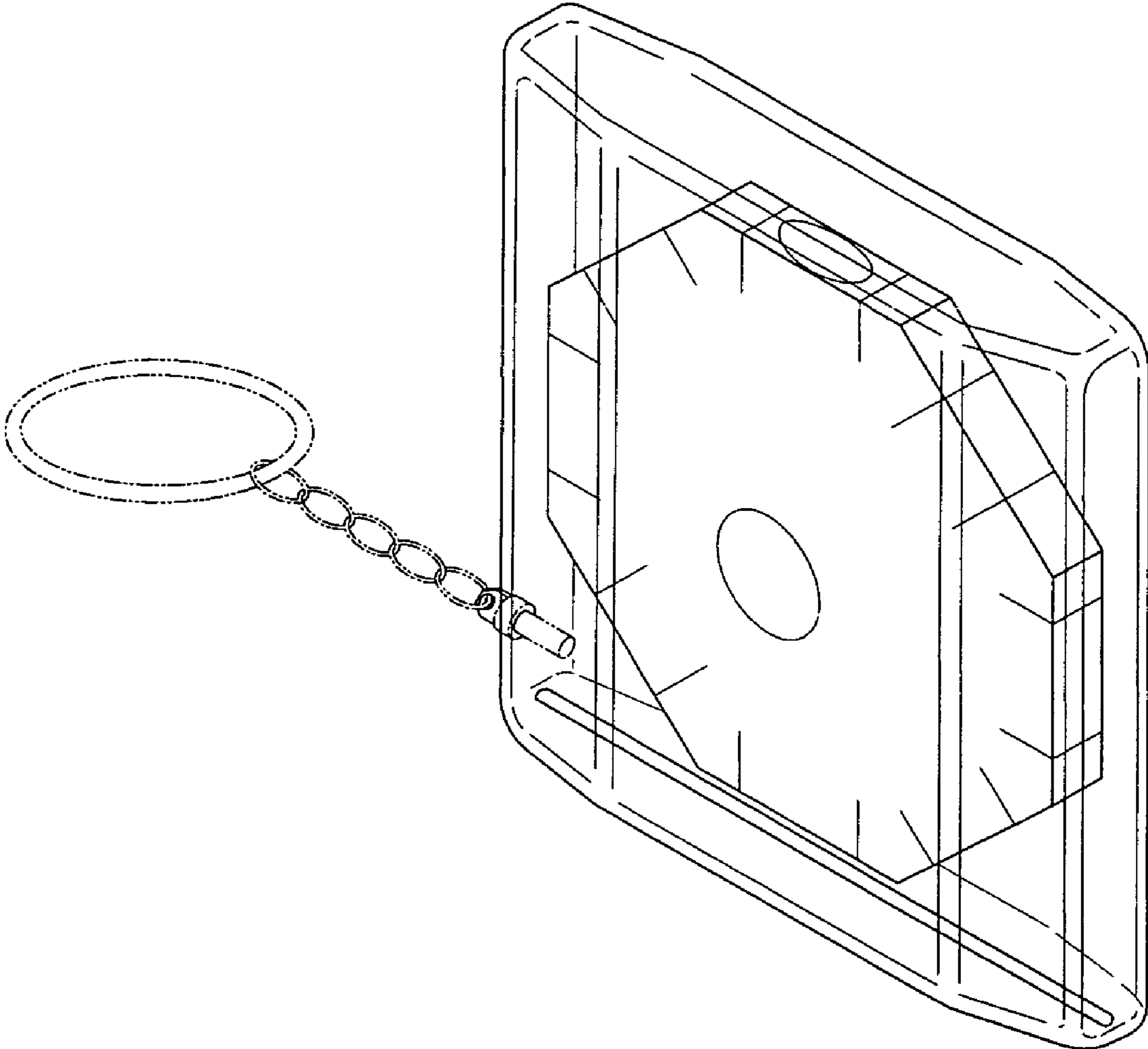


Fig.1

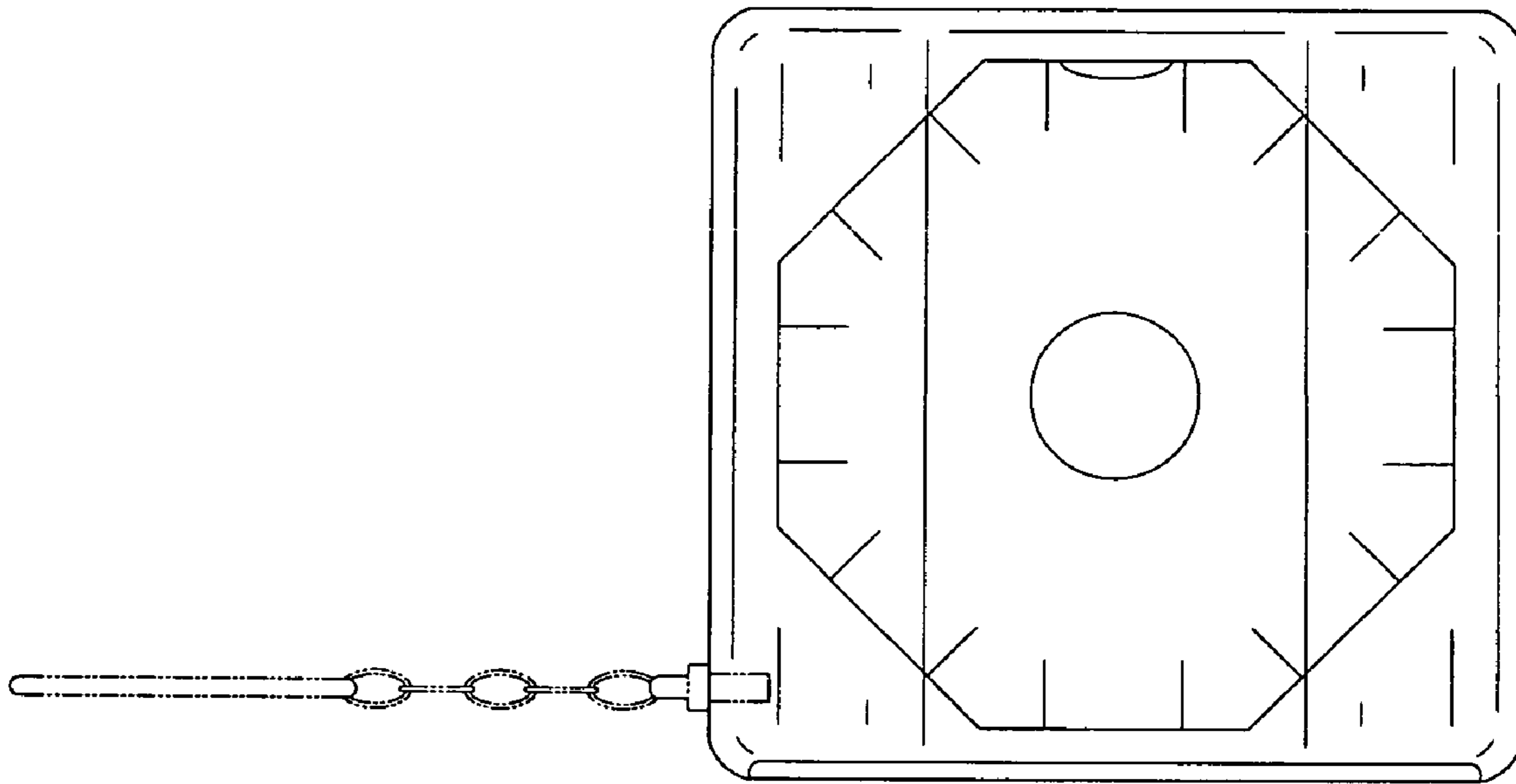


Fig.2

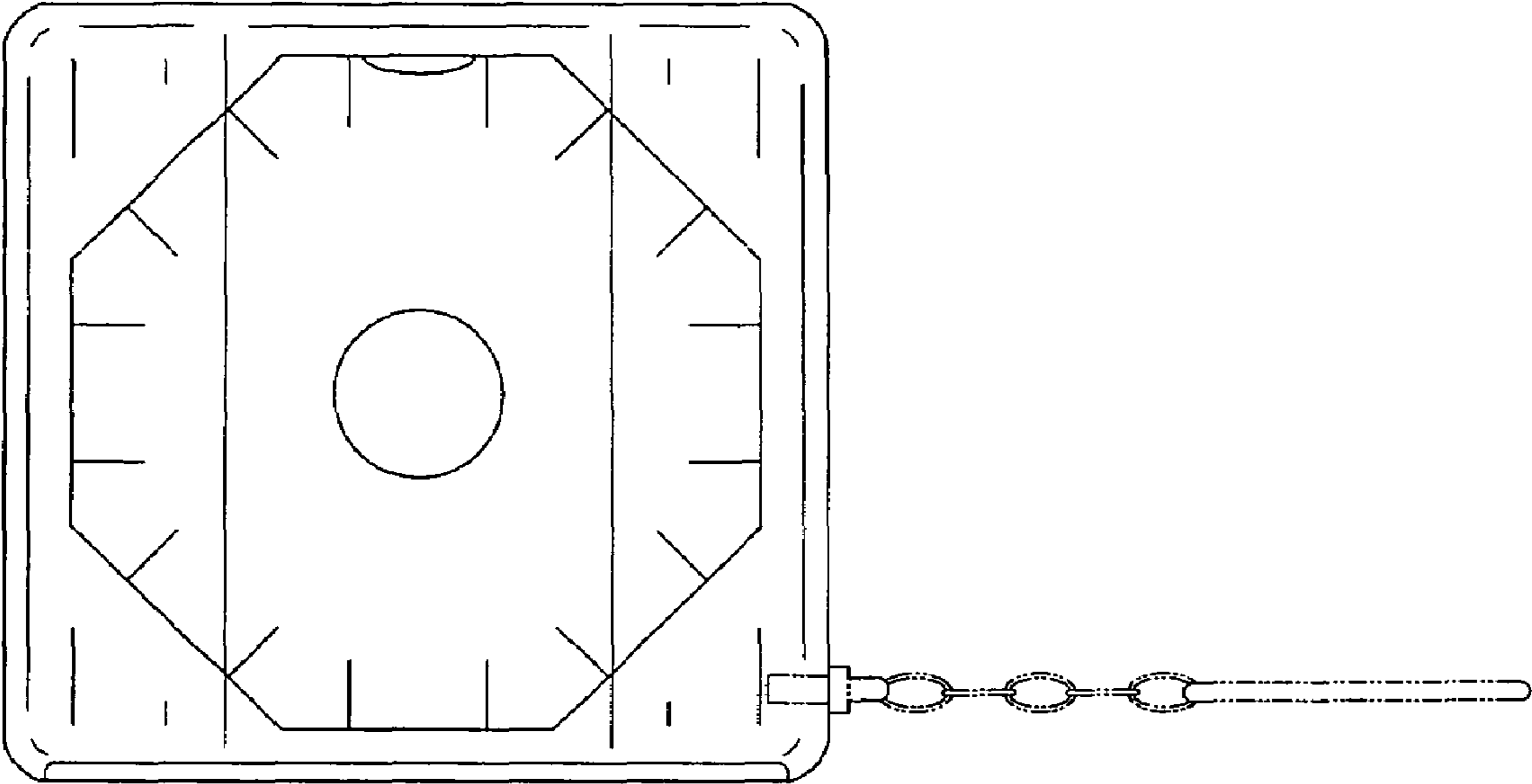


Fig.3

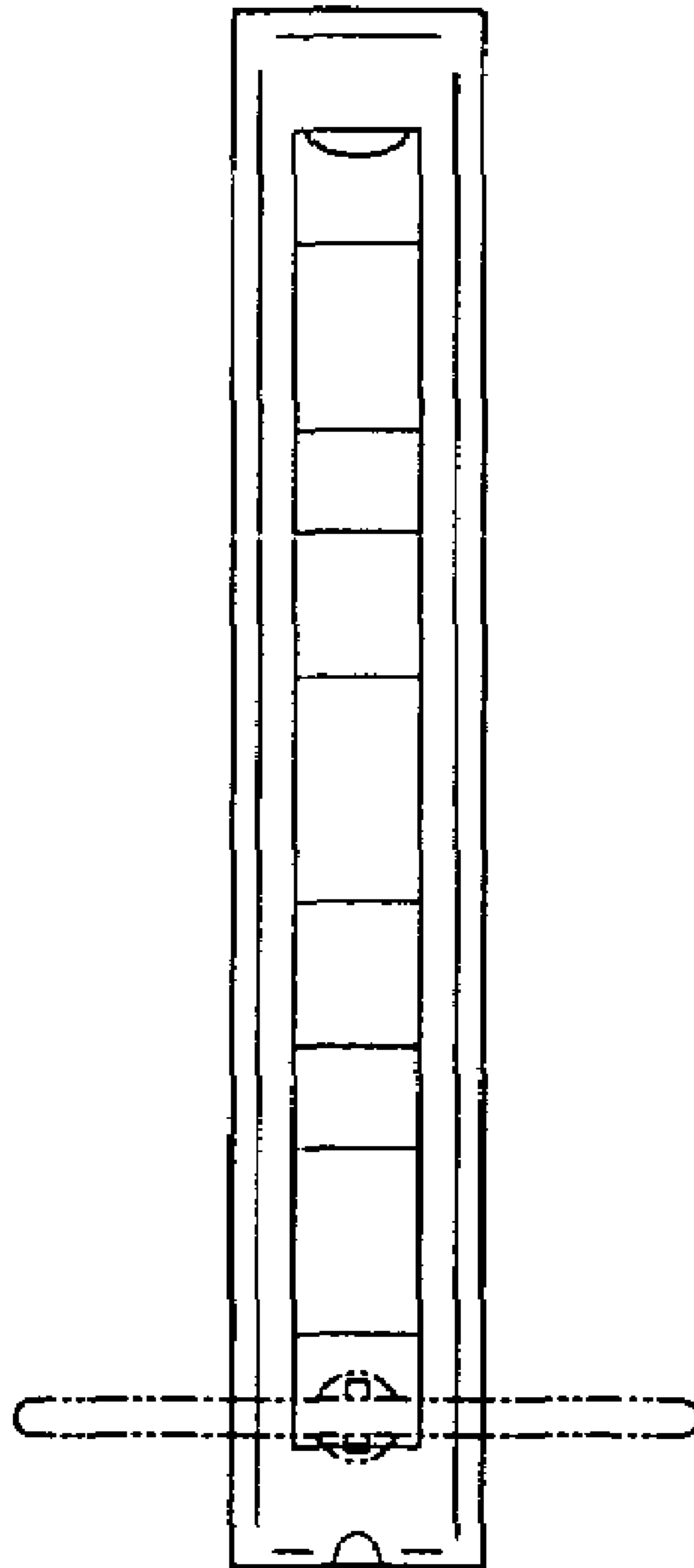


Fig. 4

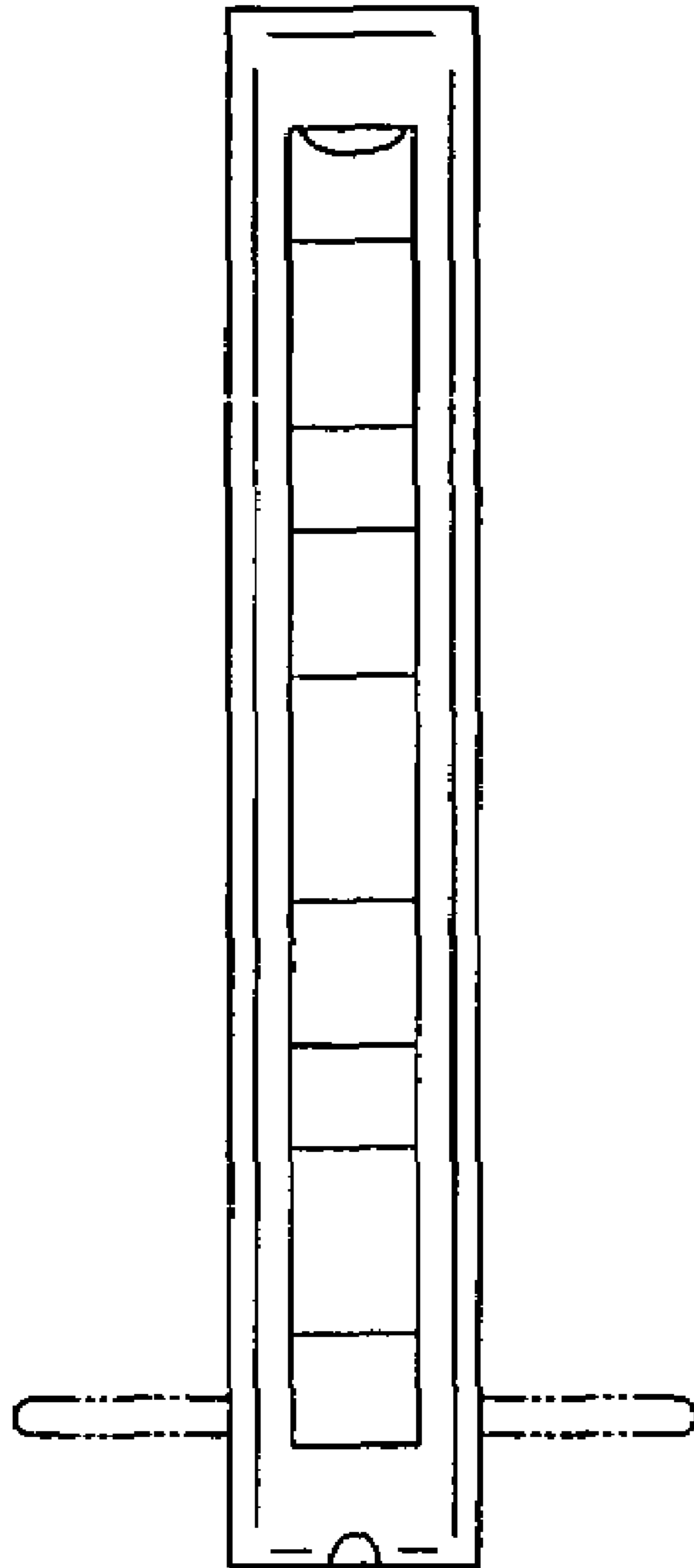


Fig. 5

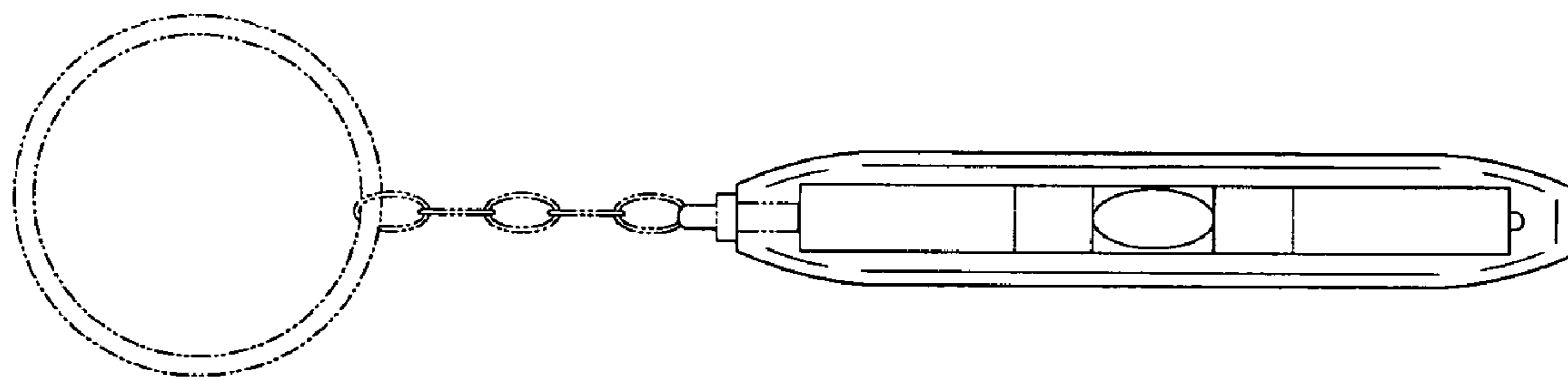


Fig.6

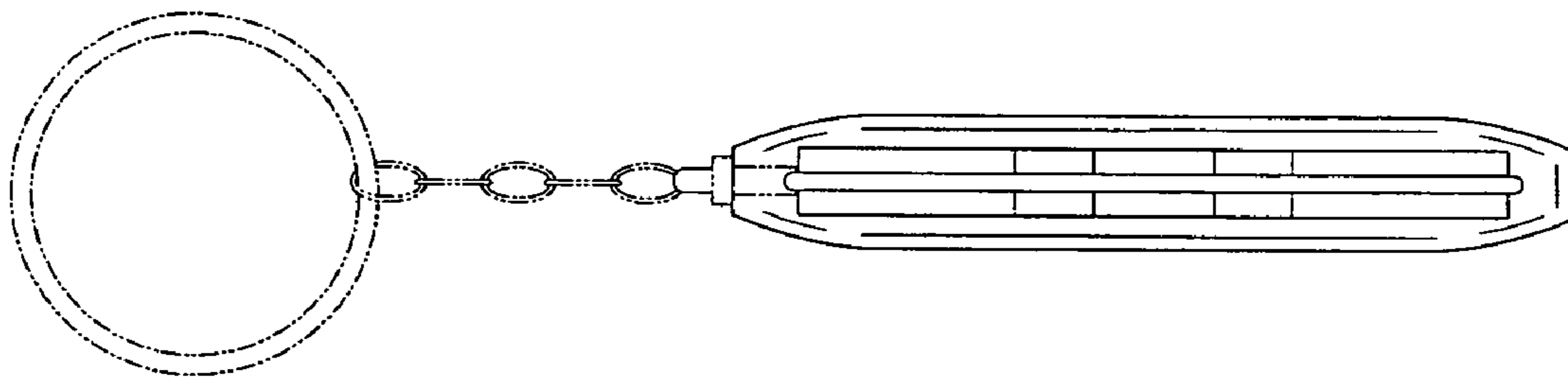


Fig.7