



US00D587898S

(12) **United States Design Patent**
Cetera

(10) **Patent No.:** **US D587,898 S**
(45) **Date of Patent:** **** Mar. 10, 2009**

(54) **PILL CASE**

5,899,335 A 5/1999 Boyer et al.
D415,958 S 11/1999 Noble

(75) Inventor: **Carl Cetera**, Tenafly, NJ (US)

(Continued)

(73) Assignee: **Cotapaxi Custom Design and Manufacturing, LLC**, Carlstadt, NJ (US)

OTHER PUBLICATIONS

U.S. Appl. No. 11/967,992, Carl Cetera.

(**) Term: **14 Years**

Primary Examiner—Catherine R Oliver

(21) Appl. No.: **29/319,763**

(57) **CLAIM**

(22) Filed: **Jun. 13, 2008**

The ornamental design for the pill case, as shown and described.

(51) **LOC (9) Cl.** **03-01**

(52) **U.S. Cl.** **D3/203.2**

(58) **Field of Classification Search** D3/203.2,
D3/203.3, 203.4, 203.6; D19/75; 206/530–539,
206/561; 220/23.4, 524, 526, 4.21, 4.28,
220/23.2, 23.83

See application file for complete search history.

DESCRIPTION

FIG. 1 is a front right side perspective view of the pill case showing my new design;

FIG. 2 is a front left side perspective view thereof;

FIG. 3 is a top plan view thereof;

FIG. 4 is a front elevational view thereof;

FIG. 5 is a right side elevational view thereof;

FIG. 6 is a left side elevational view thereof;

FIG. 7 is a rear elevational view thereof;

FIG. 8 is a bottom plan view thereof;

FIG. 9 is a front right side perspective view thereof with the lid open;

FIG. 10 is a front left side perspective view thereof with the lid open;

FIG. 11 is a front left side perspective view thereof surrounded by two alternate embodiments; and,

FIG. 12 is a front right side perspective view thereof surrounded by the same two alternate embodiments illustrated in FIG. 11.

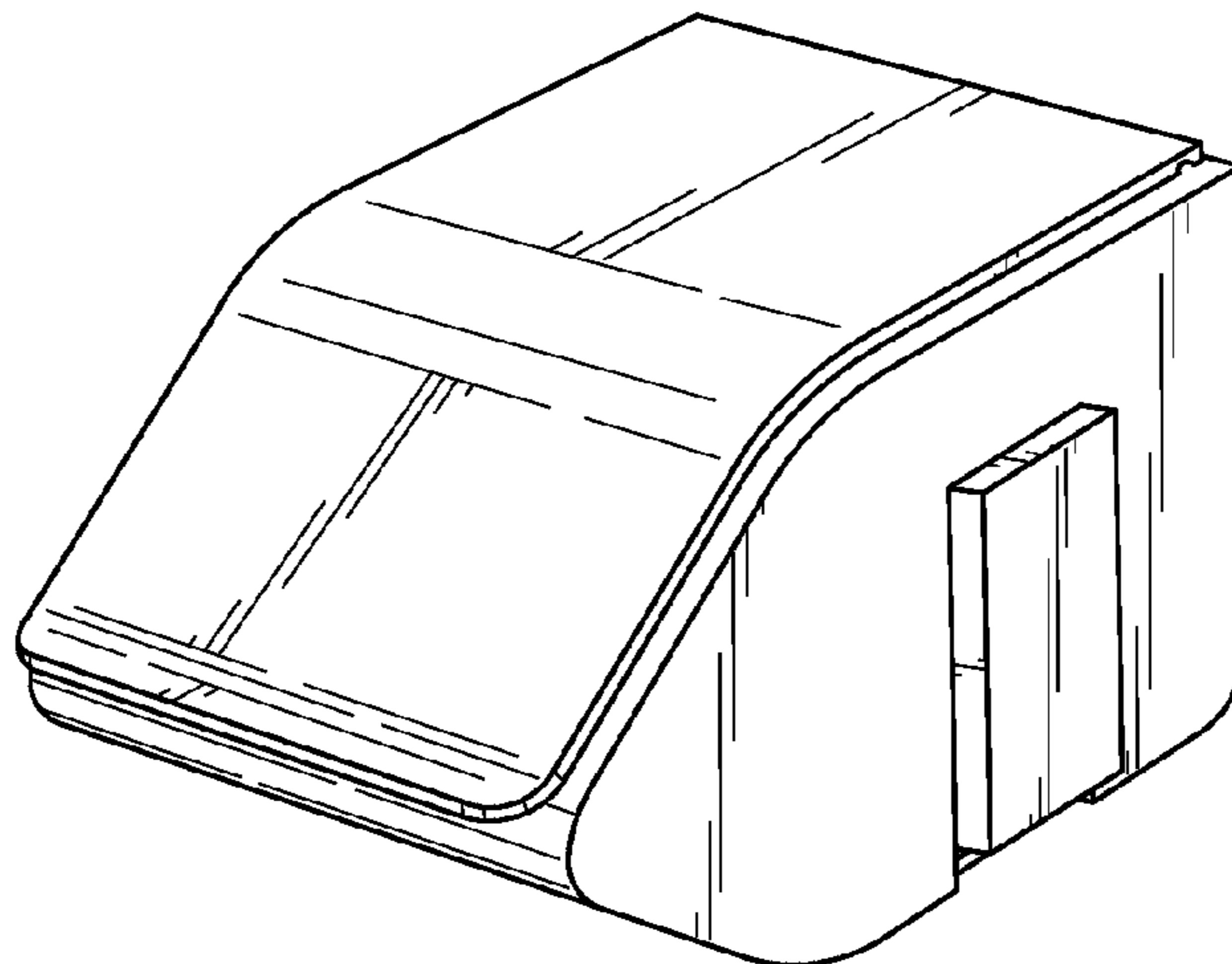
The broken lines depicting environmental structure are for illustrative purposes only and form no part of the claimed design.

(56) **References Cited**

U.S. PATENT DOCUMENTS

3,596,629 A	8/1971	English	
3,738,480 A	6/1973	Chesley	
3,749,301 A	7/1973	Peckar	
3,817,372 A	6/1974	Smith	
3,831,743 A	8/1974	Leedy	
D246,508 S	11/1977	Nudell	
4,084,695 A	4/1978	Halbich	
4,253,572 A	3/1981	Halbich	
4,415,082 A	11/1983	Martin	
4,473,156 A	9/1984	Martin	
4,483,626 A	11/1984	Noble	
D281,225 S	11/1985	Leman	
4,793,492 A	12/1988	Halbich	
D312,839 S *	12/1990	Nemeth	D19/75
4,998,647 A	3/1991	Sharp	
D344,406 S *	2/1994	Nemeth	D19/75
D356,904 S	4/1995	Wolff	
5,520,307 A	5/1996	Miller et al.	
5,806,670 A	9/1998	Harlan et al.	
D402,552 S	12/1998	Reymond	

1 Claim, 4 Drawing Sheets



US D587,898 S

Page 2

U.S. PATENT DOCUMENTS

D416,583	S	*	11/1999	Eddy et al.	D19/75	6,206,493	B1	3/2001	Sanchez-Levin et al.
6,000,546	A		12/1999	Noble		D466,801	S	12/2002	Holland
D418,288	S		1/2000	Priebe		D473,372	S	4/2003	Weitzman
6,032,085	A		2/2000	Laurent et al.		D476,240	S	6/2003	Kuramochi et al.
6,082,544	A		7/2000	Romick		6,595,365	B1	7/2003	Wigmore
6,102,855	A		8/2000	Kehr et al.		D488,510	S	4/2004	Chen D19/75
6,161,696	A		12/2000	Lashley		D528,782	S	9/2006	Oas D3/203.3

* cited by examiner

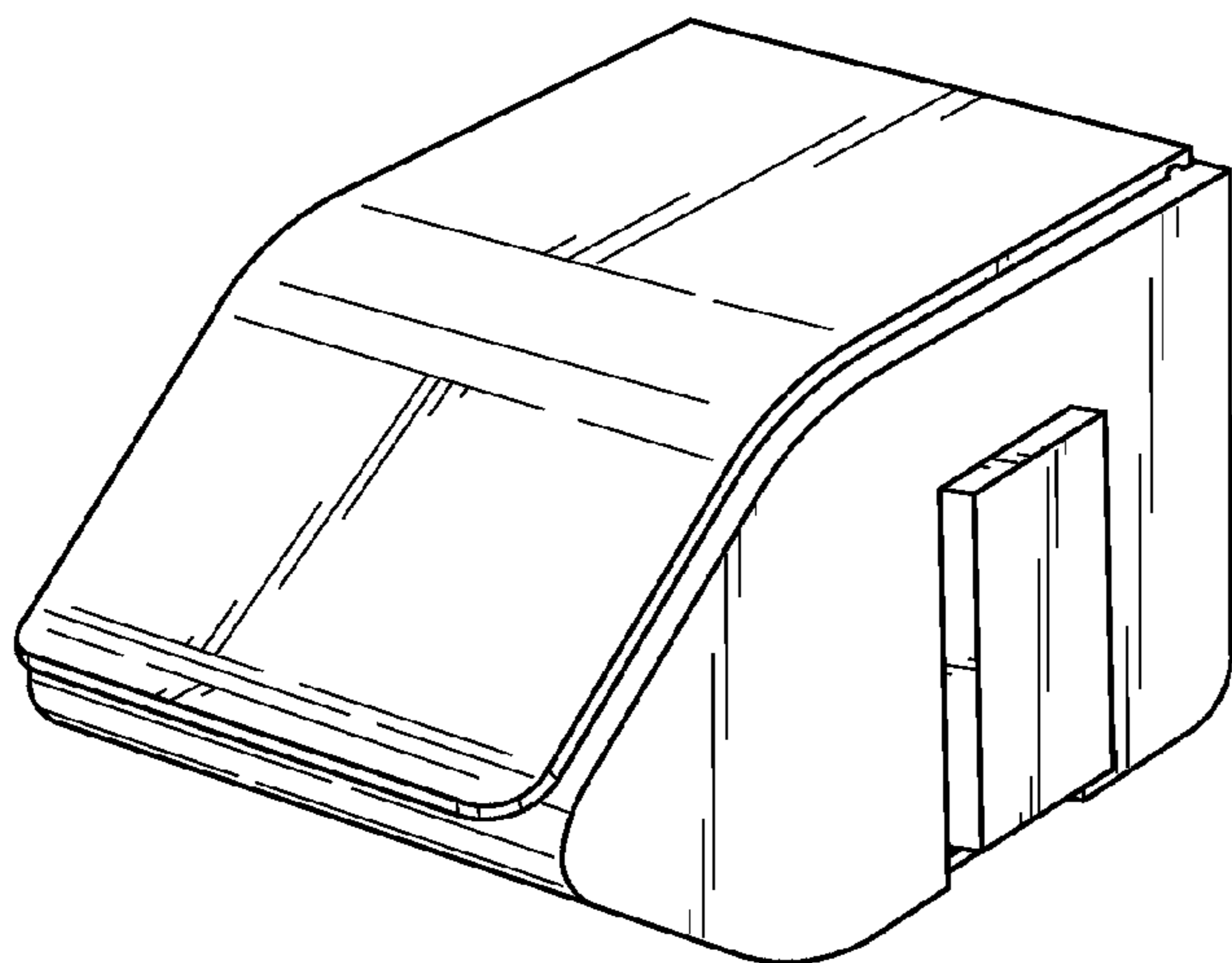


FIG. 1

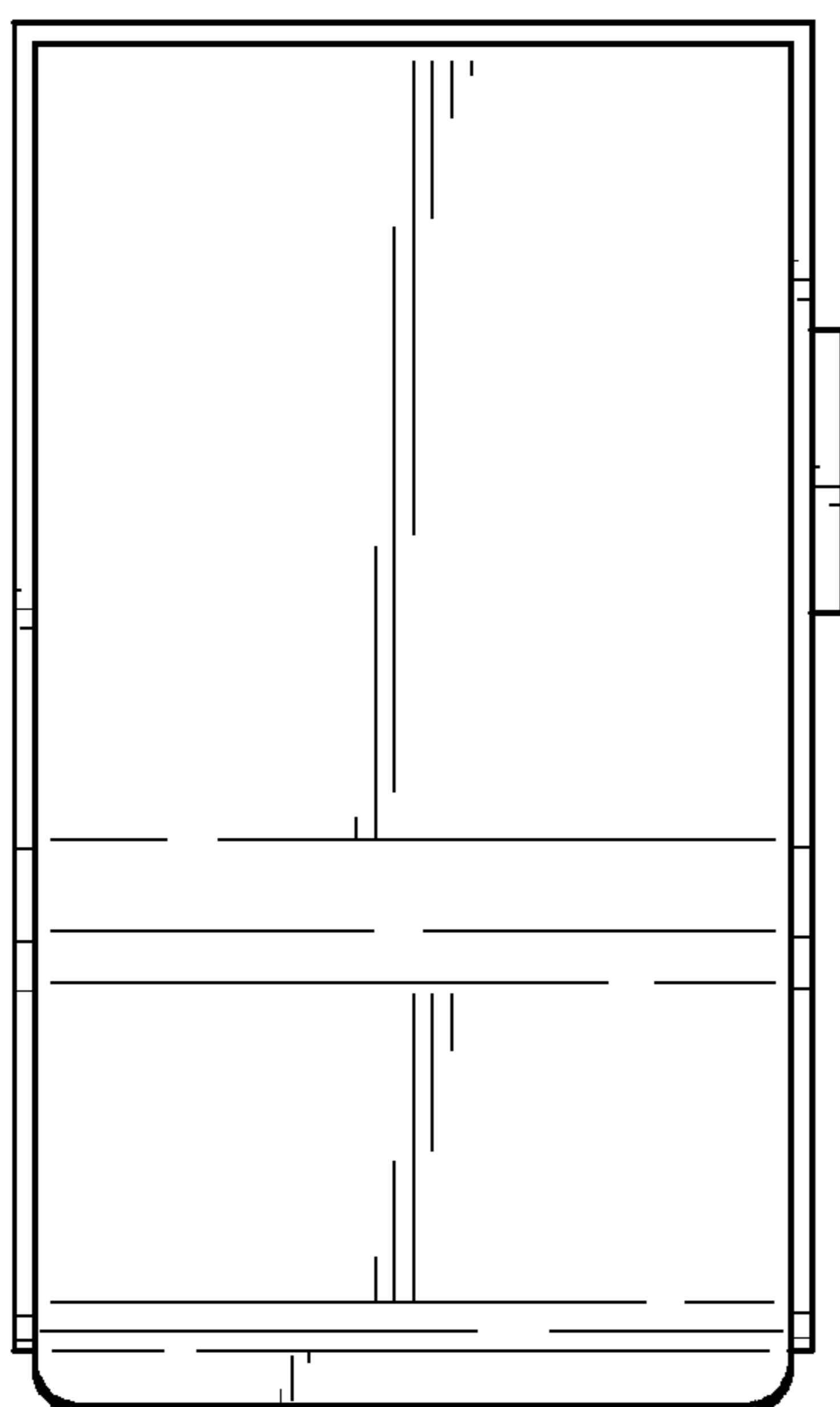


FIG. 3

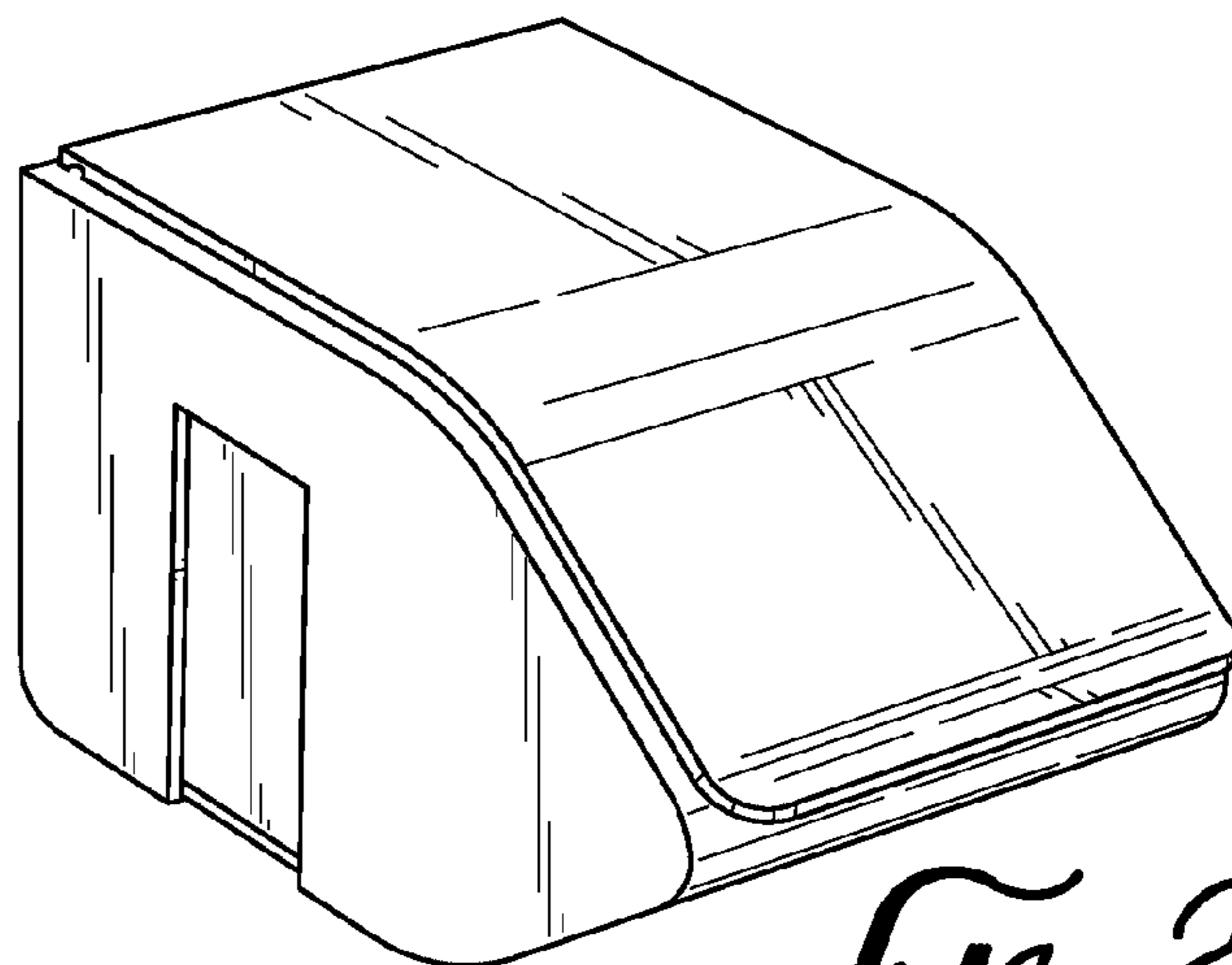


FIG. 2

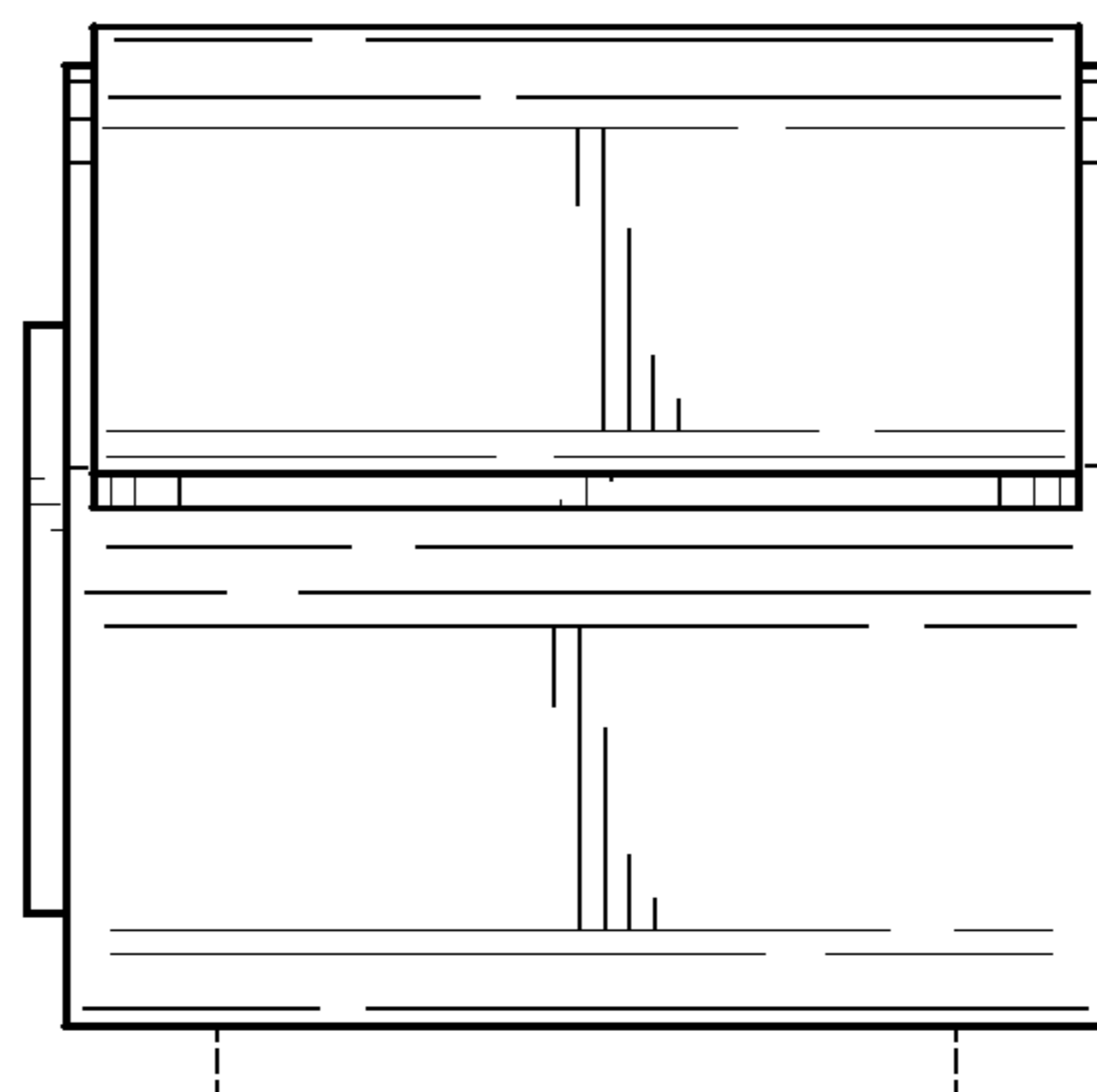
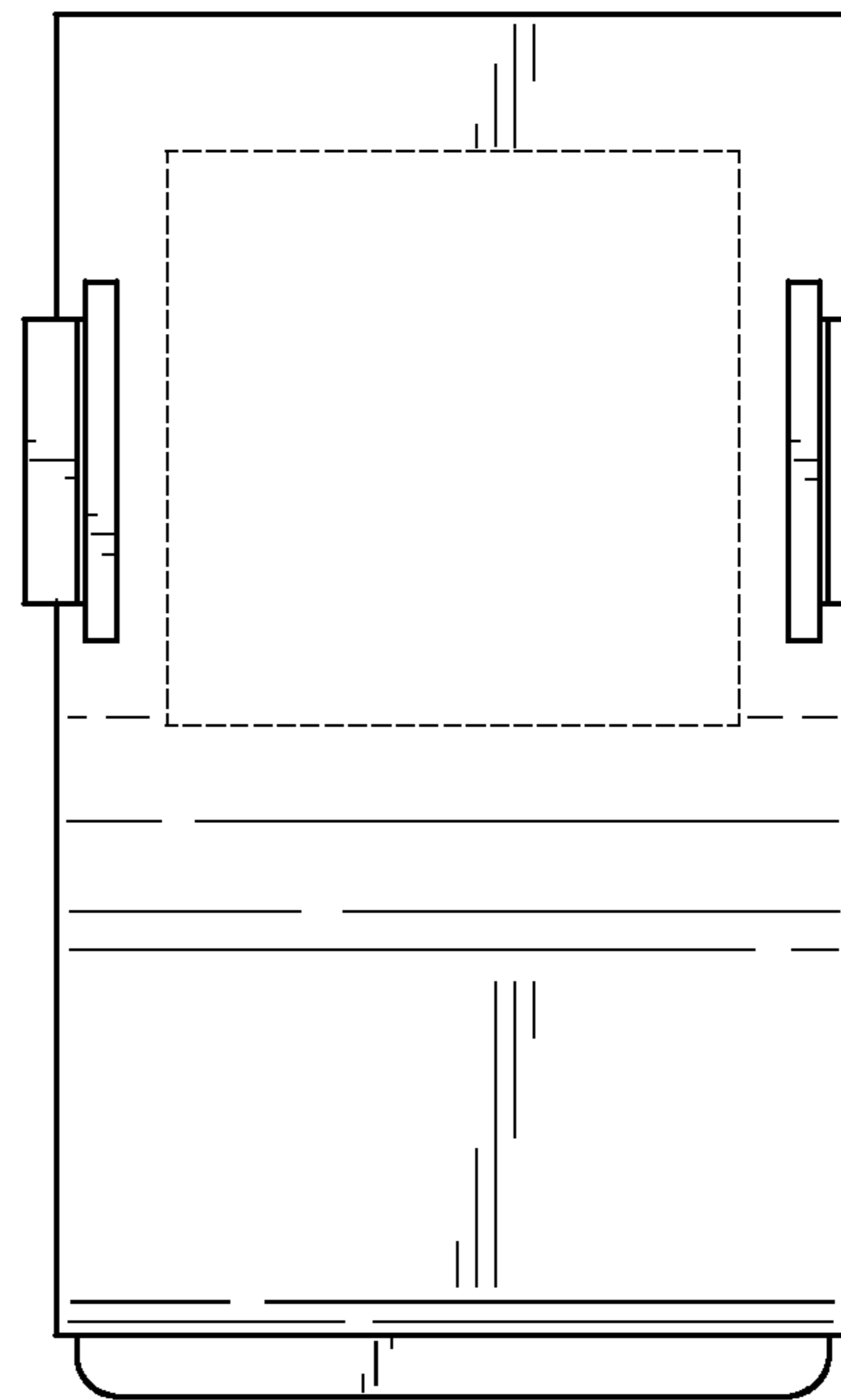
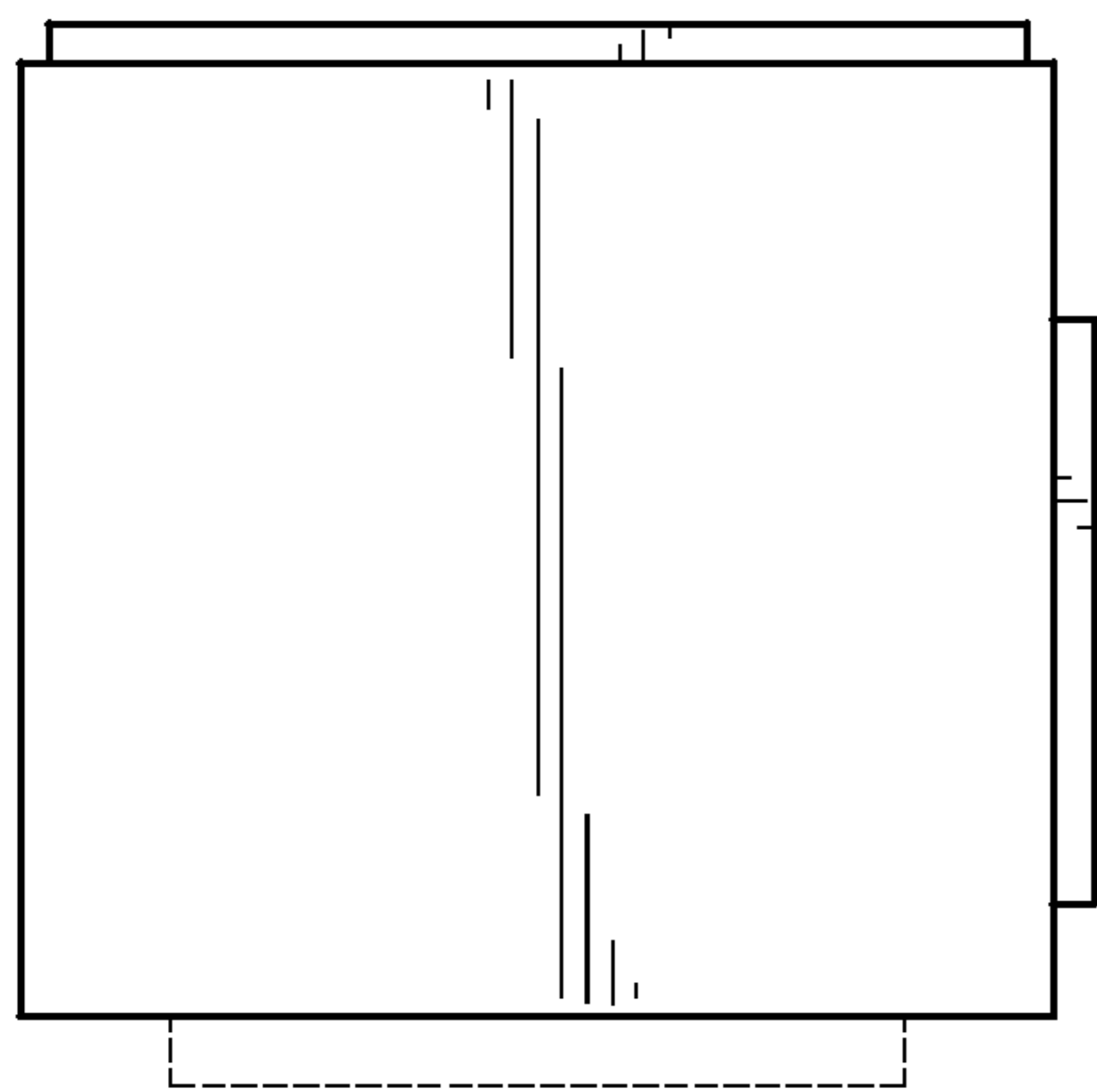
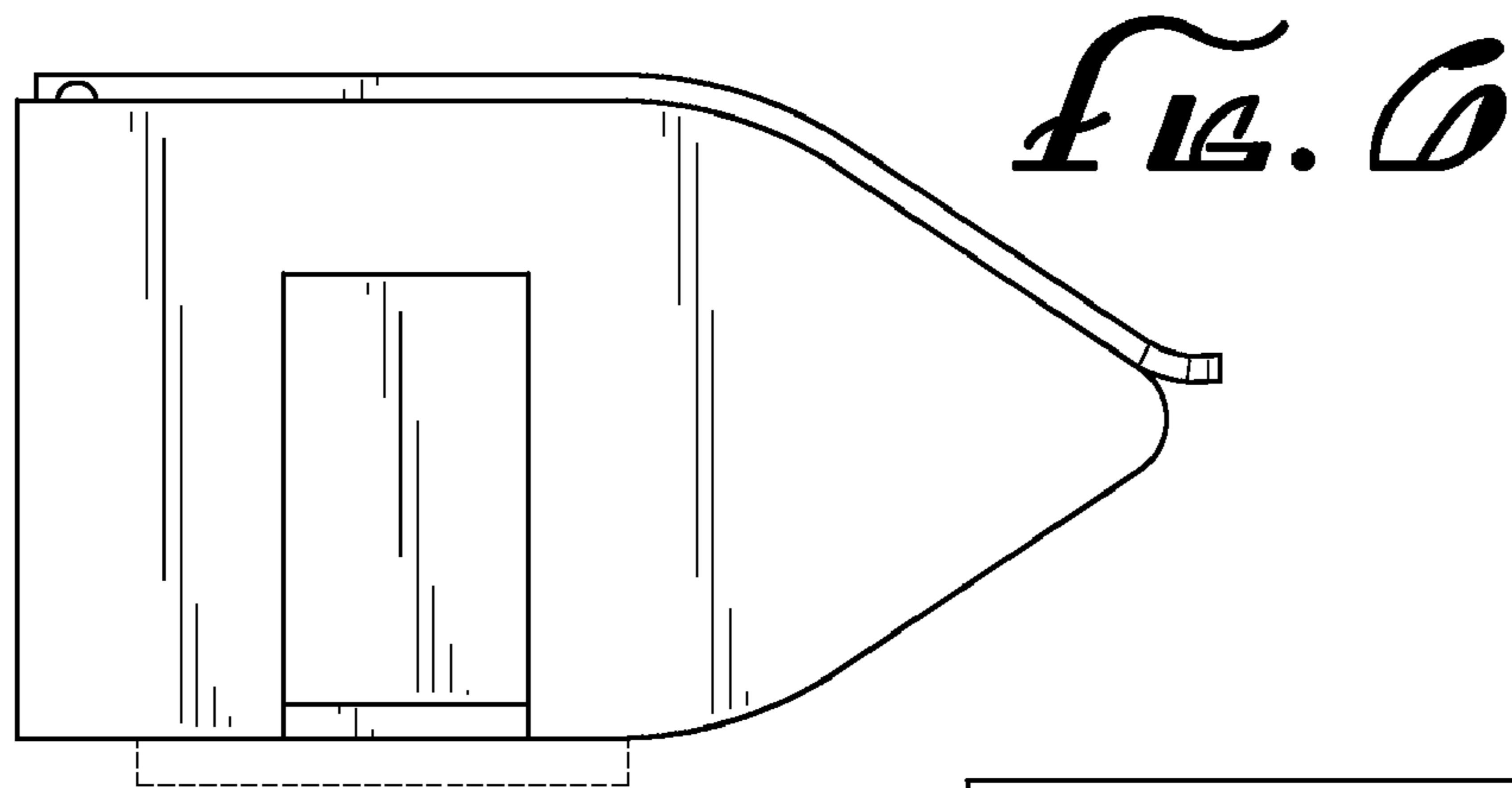
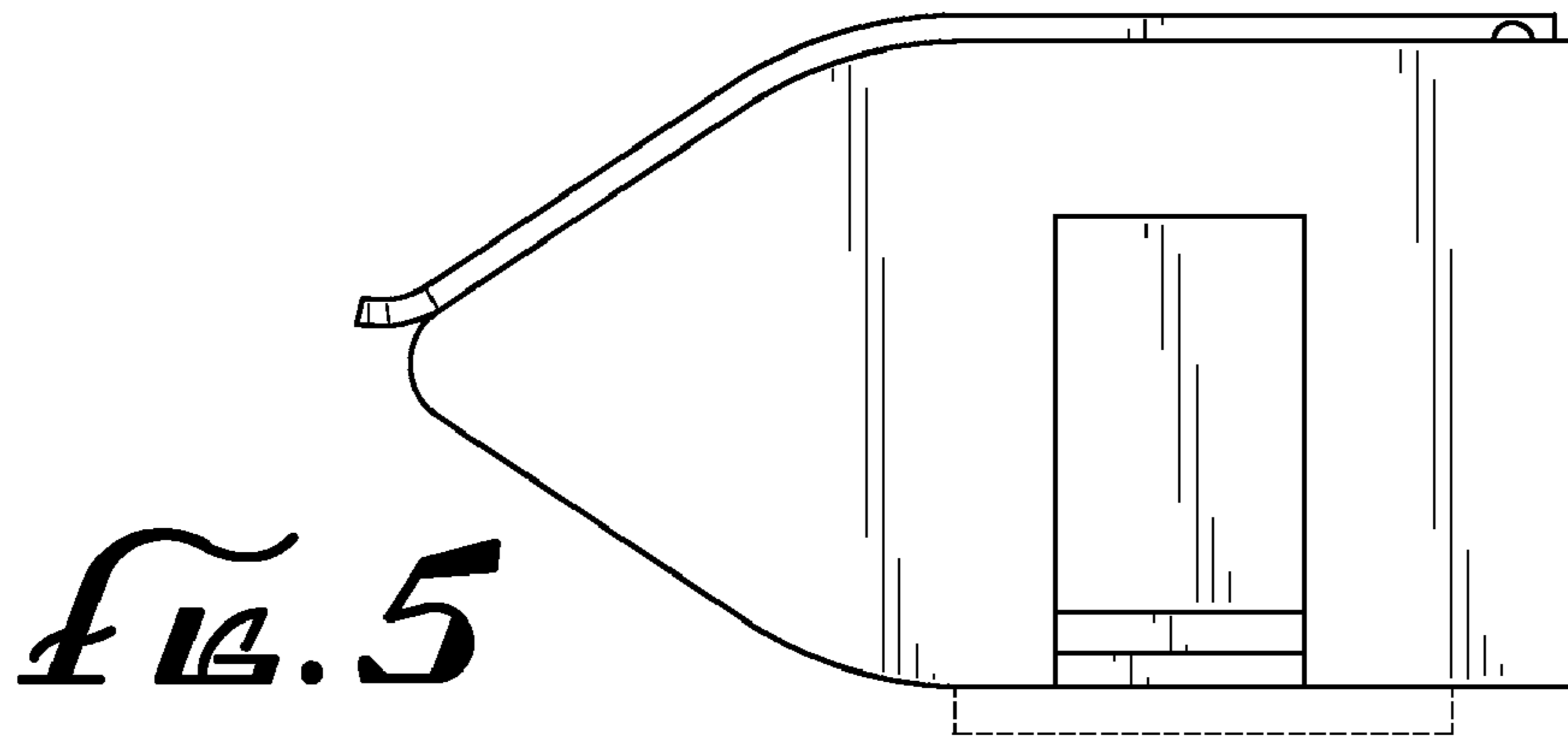


FIG. 4



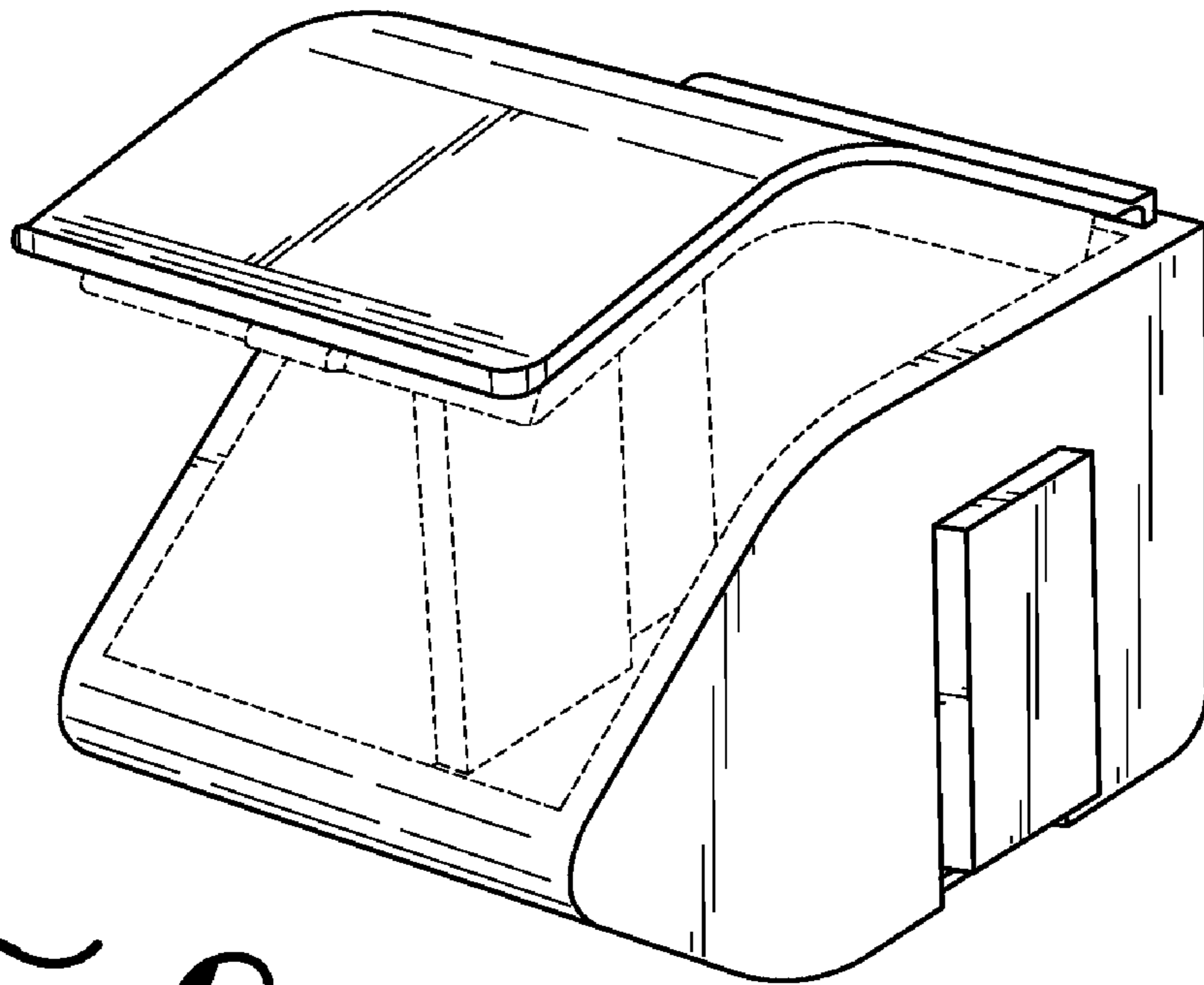


Fig. 9

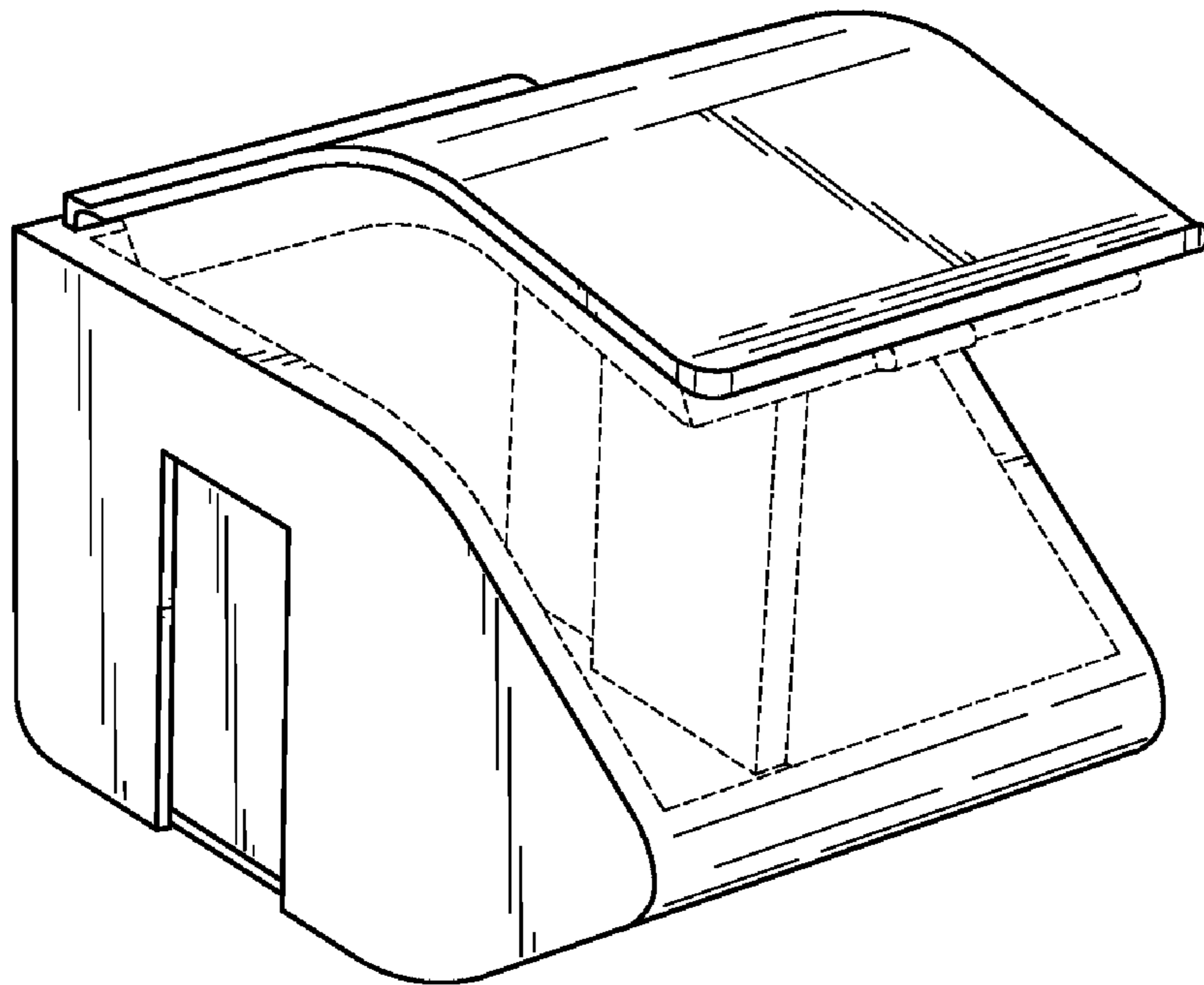


Fig. 10

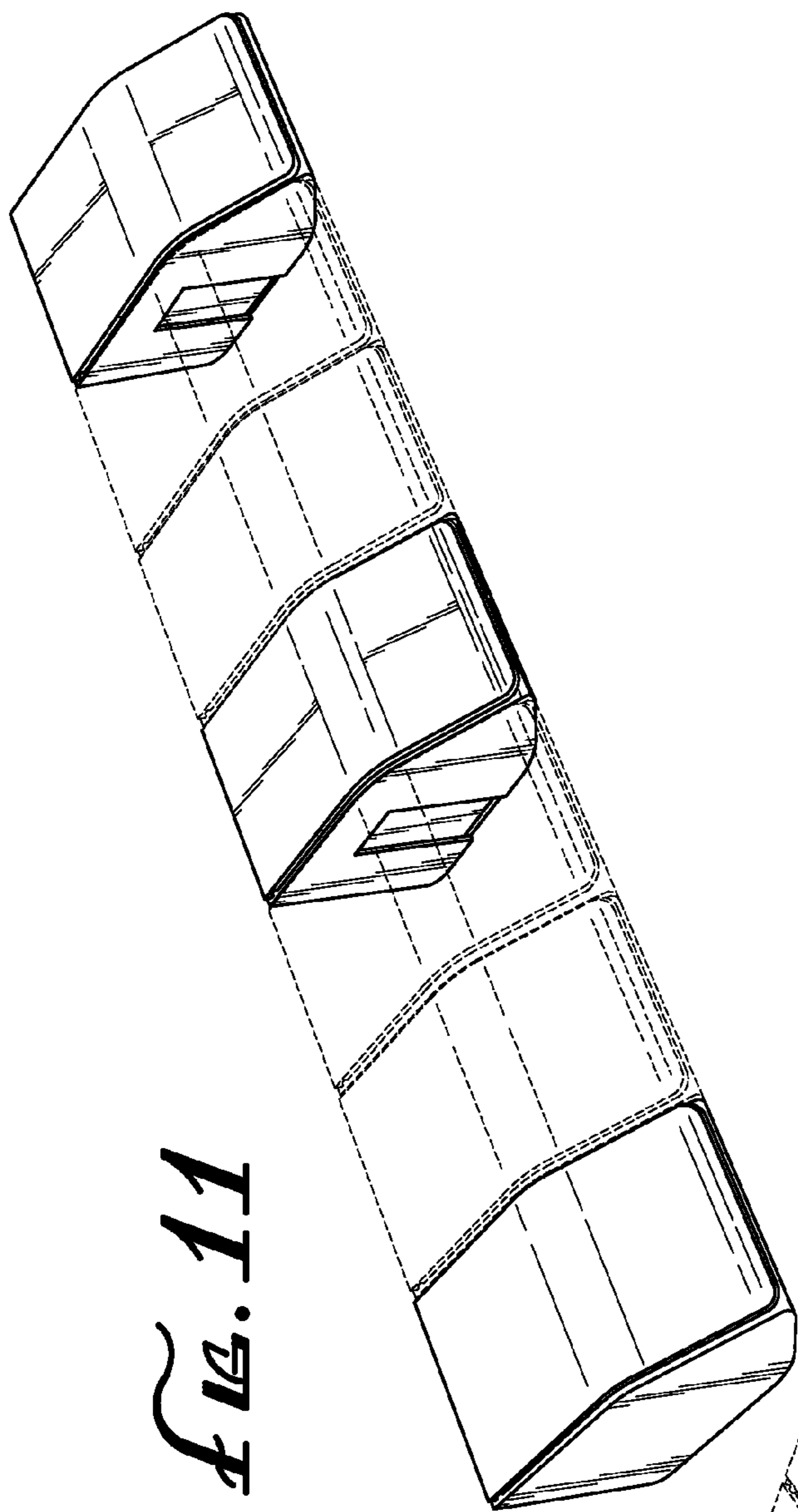


FIG. 11

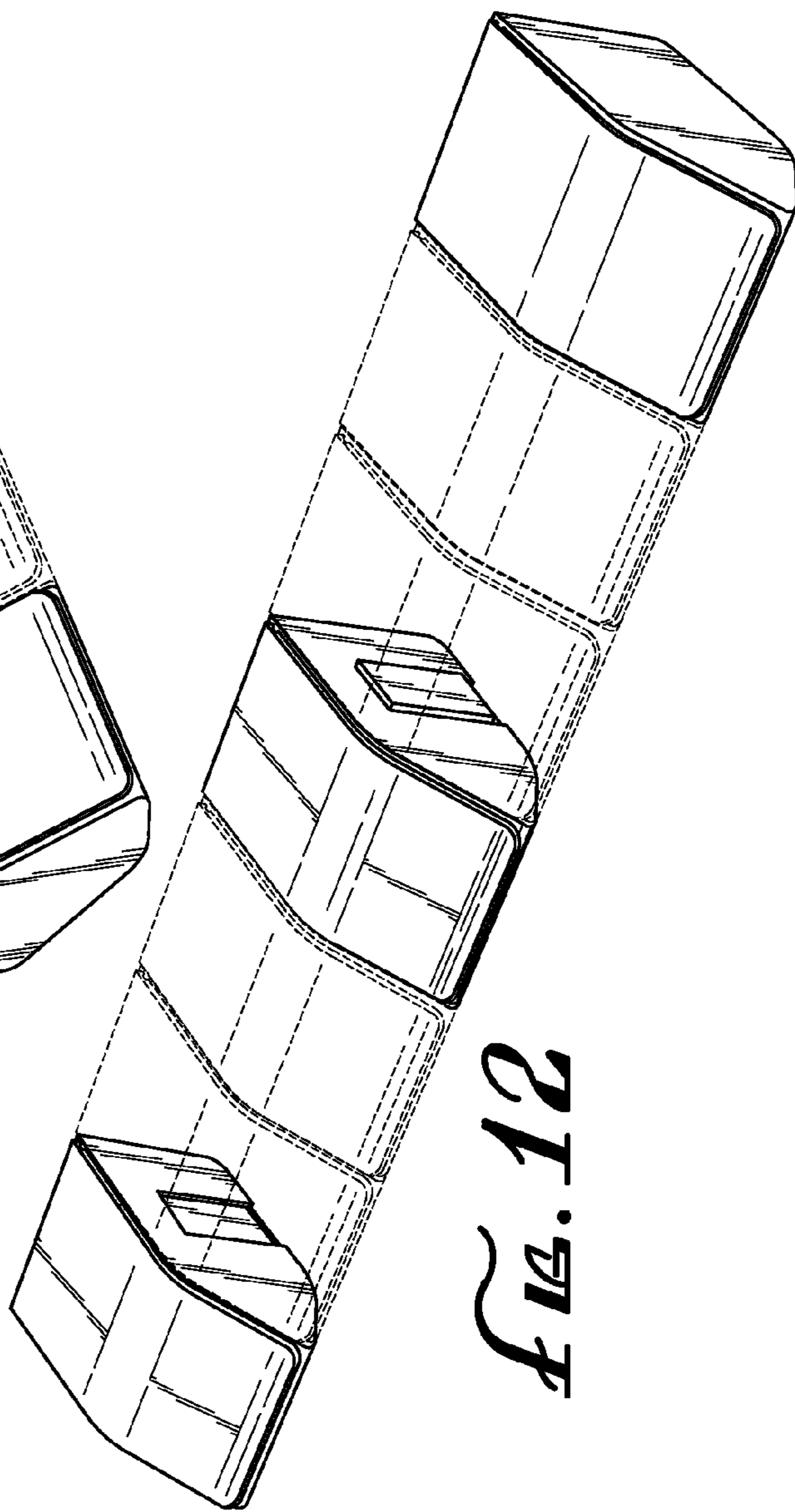


FIG. 12