



US00D587897S

(12) **United States Design Patent**
Radke

(10) **Patent No.:** **US D587,897 S**
(45) **Date of Patent:** **** Mar. 10, 2009**

(54) **CARRYING CASE FOR GLASS BOTTLES**

(76) Inventor: **Fred P. Radke**, 503 Lincoln St.,
Algonquin, IL (US) 60102

(**) Term: **14 Years**

(21) Appl. No.: **29/318,921**

(22) Filed: **May 30, 2008**

Related U.S. Application Data

(63) Continuation-in-part of application No. 29/250,173,
filed on Nov. 6, 2006, now Pat. No. Des. 577,189.

(51) **LOC (9) Cl.** **09-02**

(52) **U.S. Cl.** **D3/202; D3/303**

(58) **Field of Classification Search** D3/202,
D3/201, 232-245, 303-315, 902-905; 206/139,
206/428, 433, 152; D32/53.1; 229/117.09,
229/117.23, 121; 220/509

See application file for complete search history.

(56) **References Cited**

U.S. PATENT DOCUMENTS

D328,522 S * 8/1992 Buck D3/303

D397,871 S * 9/1998 Bellechilli D3/303

* cited by examiner

Primary Examiner—Catherine R Oliver

(74) *Attorney, Agent, or Firm*—Mathew R. P. Perrone, Jr.;
Brie A. Crawford

(57) **CLAIM**

The ornamental design for a carrying case for glass bottles, as
shown and described.

DESCRIPTION

FIG. 1 is a top perspective view of a first embodiment of a
carrying case for glass bottles of my invention, the glass
bottles being shown in phantom and not forming part of this
invention;

FIG. 2 is a side view of a carrying case for glass bottles of my
invention based on FIG. 1;

FIG. 3 is a top plan view of a carrying case for glass bottles of
my invention based on FIG. 1;

FIG. 4 is a opposite side view of FIG. 2;

FIG. 5 is a bottom plan view of a carrying case for glass
bottles of my invention based on FIG. 1;

FIG. 6 is an end view of a carrying case for glass bottles of my
invention based on FIG. 8;

FIG. 7 is a opposite side view of FIG. 6;

FIG. 8 is a top perspective view of a second embodiment of a
carrying case for glass bottles of my invention;

FIG. 9 is a top plan view of a carrying case for glass bottles of
my invention based on FIG. 8

FIG. 10 is a bottom plan view of a carrying case for glass
bottles of my invention based on FIG. 8

FIG. 11 is a side view of a carrying case for glass bottles of my
invention based on FIG. 13;

FIG. 12 is a a opposite side view of FIG. 11;

FIG. 13 is a top perspective view of a third embodiment of a
carrying case for glass bottles of my invention;

FIG. 14 is a top plan view of a carrying case for glass bottles
of my invention based on FIG. 13.

FIG. 15 is a bottom plan view of a carrying case for glass
bottles of my invention based on FIG. 13

FIG. 16 is an end plan view of a carrying case for glass bottles
of my invention based on FIG. 18;

FIG. 17 is a opposite side of FIG. 16;

FIG. 18 is a top perspective view of a fourth embodiment of a
carrying case for glass bottles of my invention;

FIG. 19 is a top plan view of a fourth embodiment of a
carrying case for glass bottles of my invention based on FIG.
18;

FIG. 20 is a bottom plan view of a carrying case for glass
bottles of my invention based on FIG. 18

FIG. 21 is a front view of a fifth embodiment of a carrying
case for glass bottles of my invention;

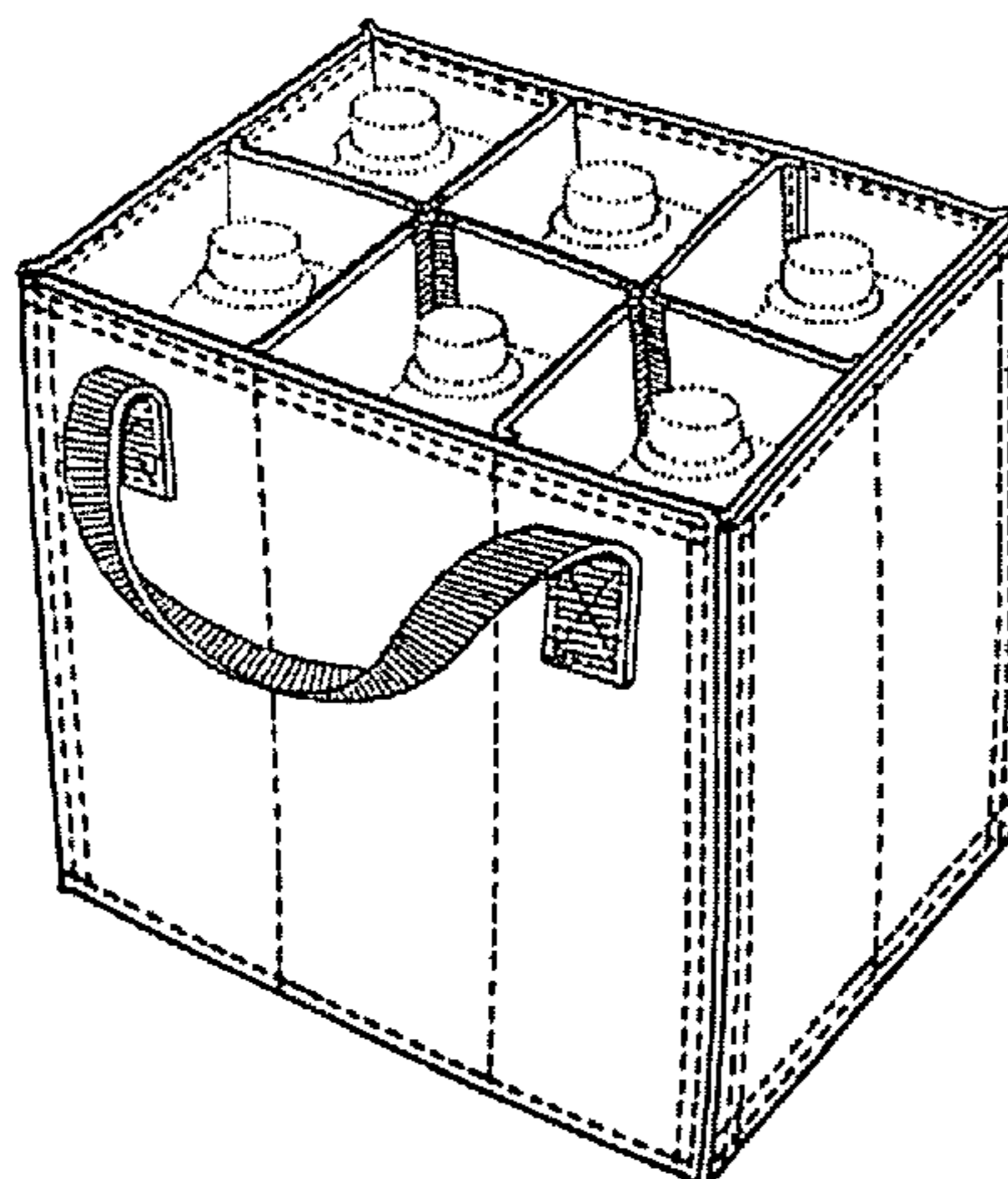


FIG. **22** is a rear view of a fifth embodiment of a carrying case for glass bottles of my invention, based on FIG. **21**;

FIG. **23** is a side view of a fifth embodiment of a carrying case for glass bottles of my invention;

FIG. **24** is a side view of a fifth embodiment of a carrying case for glass bottles of my invention and a reverse view of FIG. **23**;

FIG. **25** is a top plan view of a fifth embodiment of a carrying case for glass bottles of my invention, showing three compartments;

FIG. **26** is a top plan view of a fifth embodiment of a carrying case for glass bottles of my invention, showing five compartments; and,

FIG. **27** is a top plan view of a fifth embodiment of a carrying case for glass bottles of my invention, showing four compartments.

1 Claim, 6 Drawing Sheets

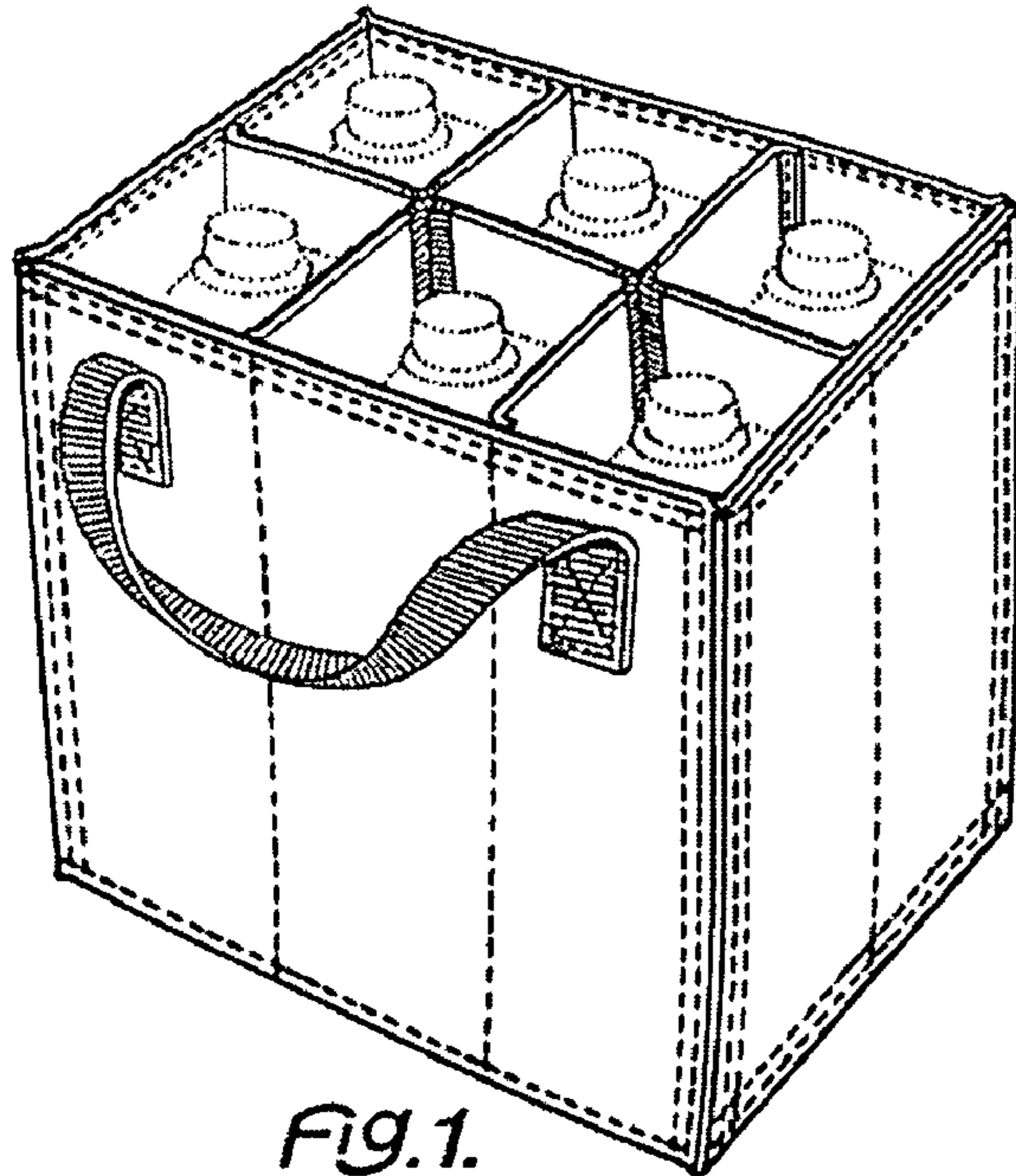


Fig. 1.

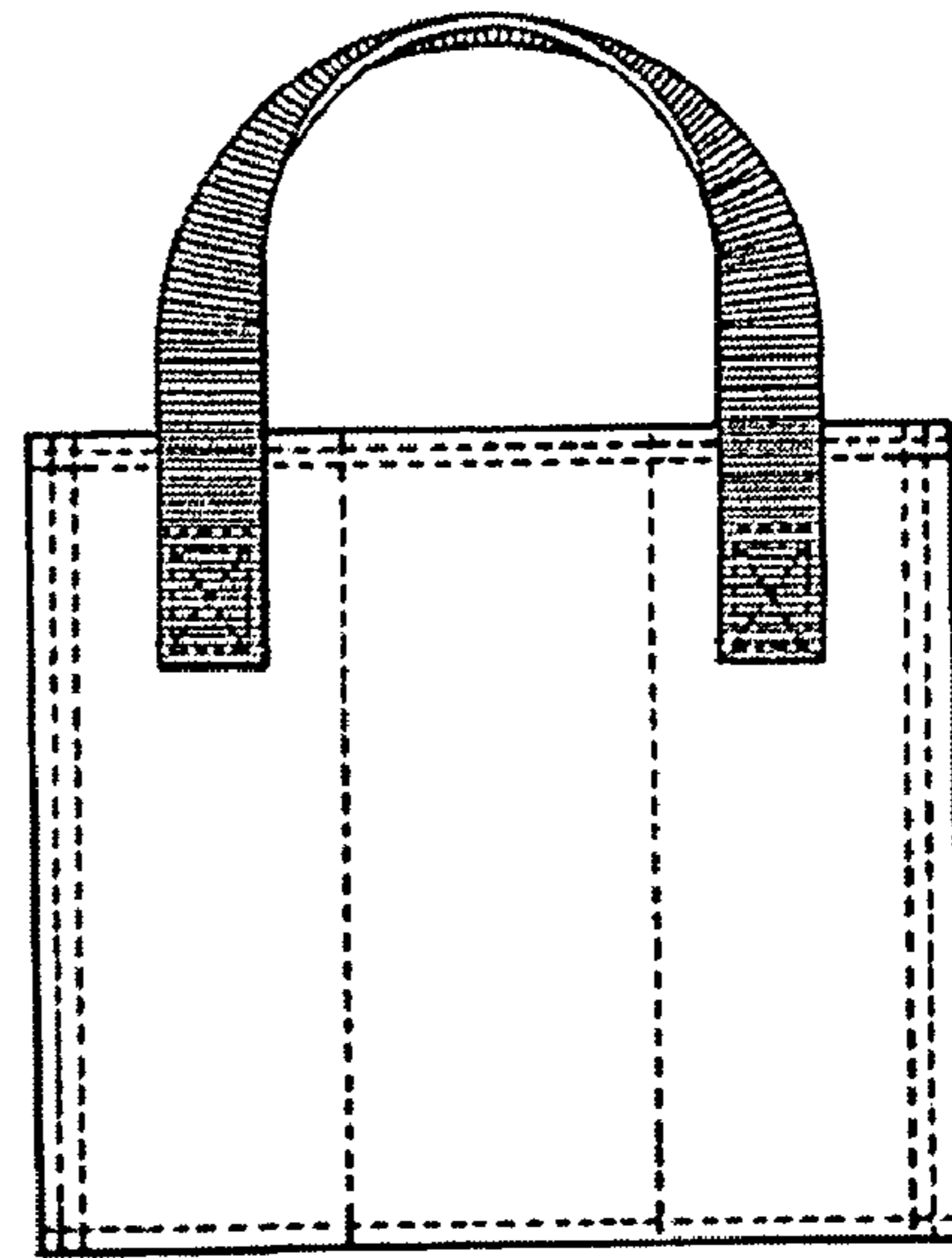


Fig. 2.

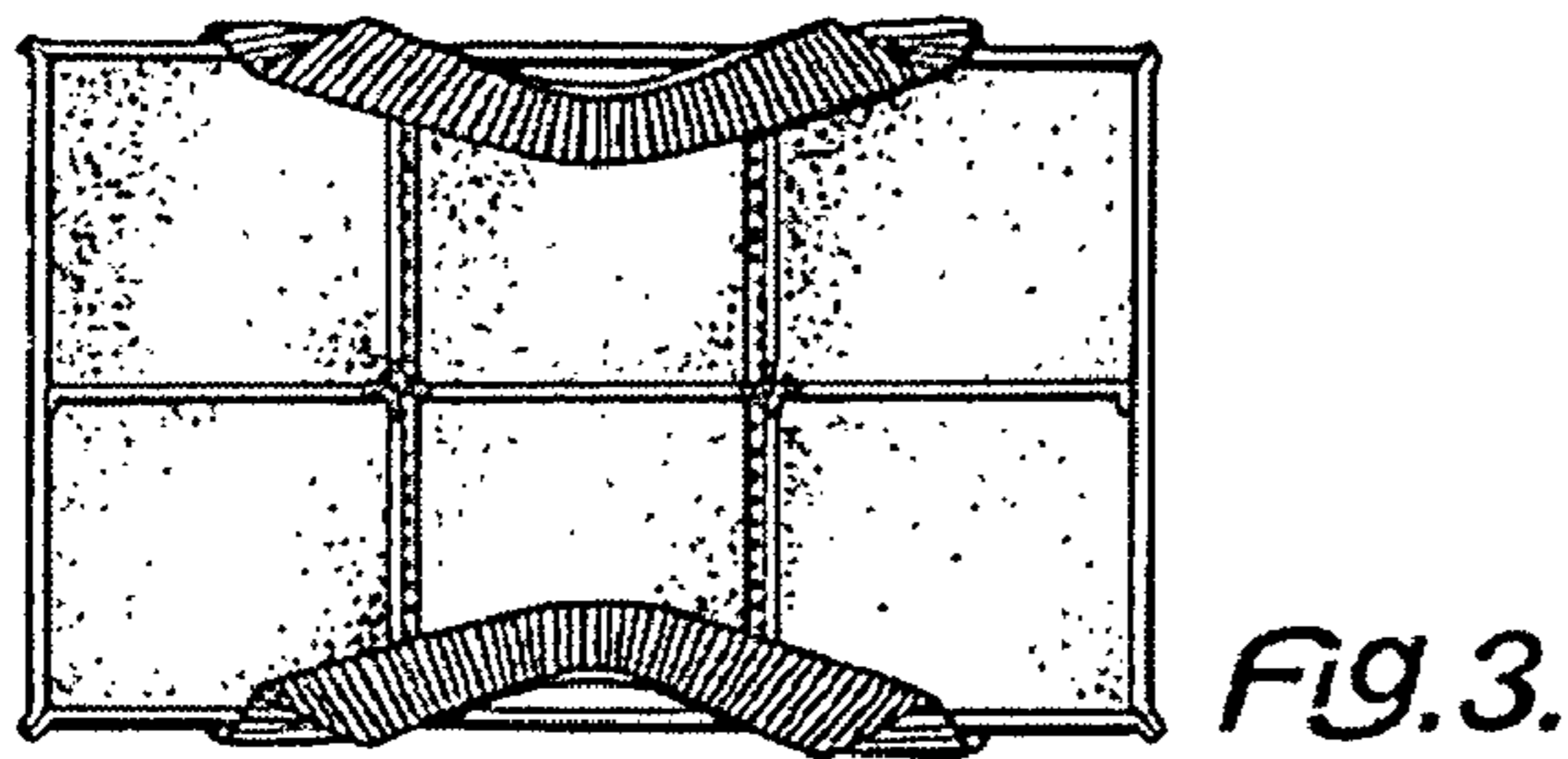


Fig. 3.

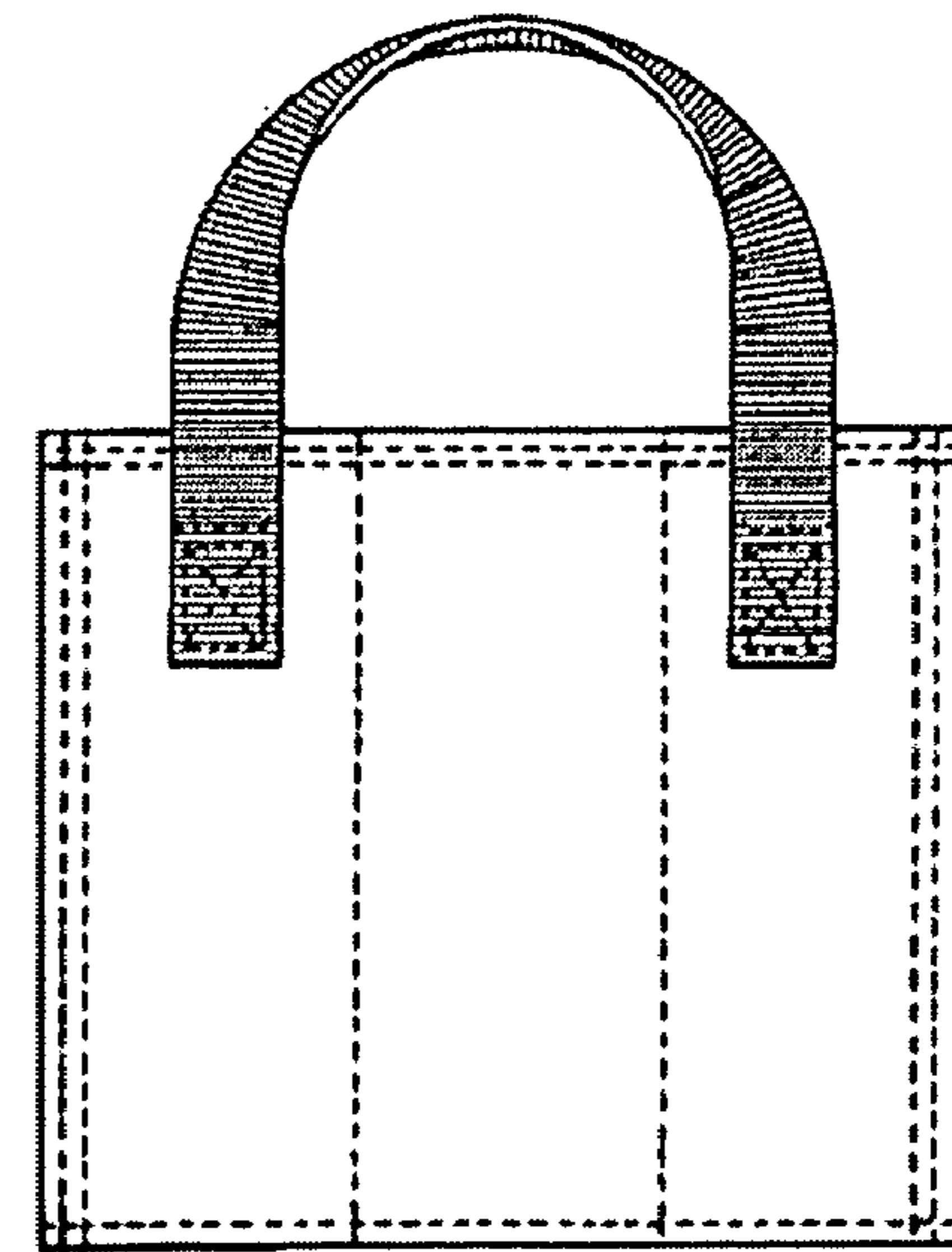


Fig. 4.

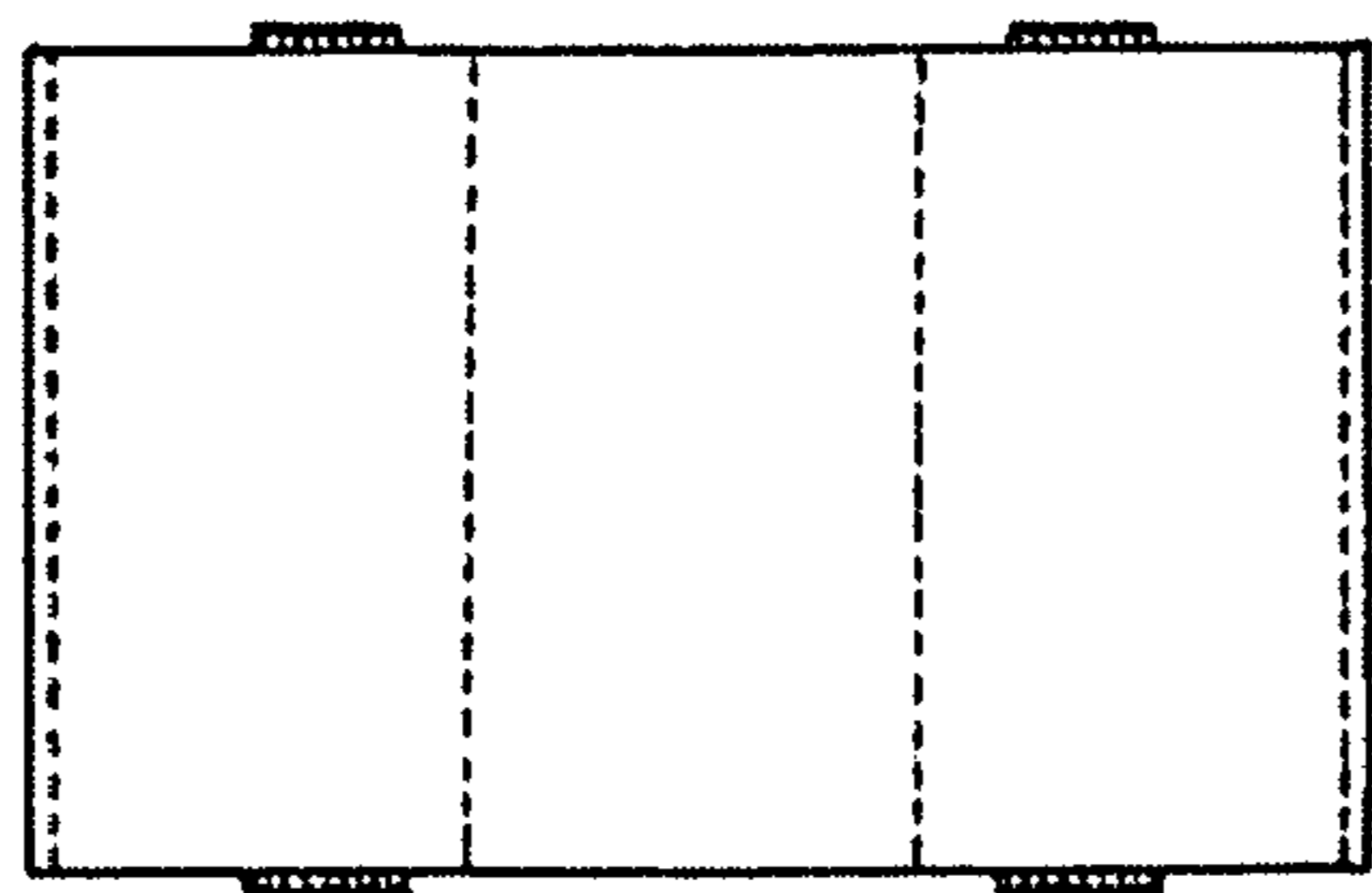


Fig. 5.

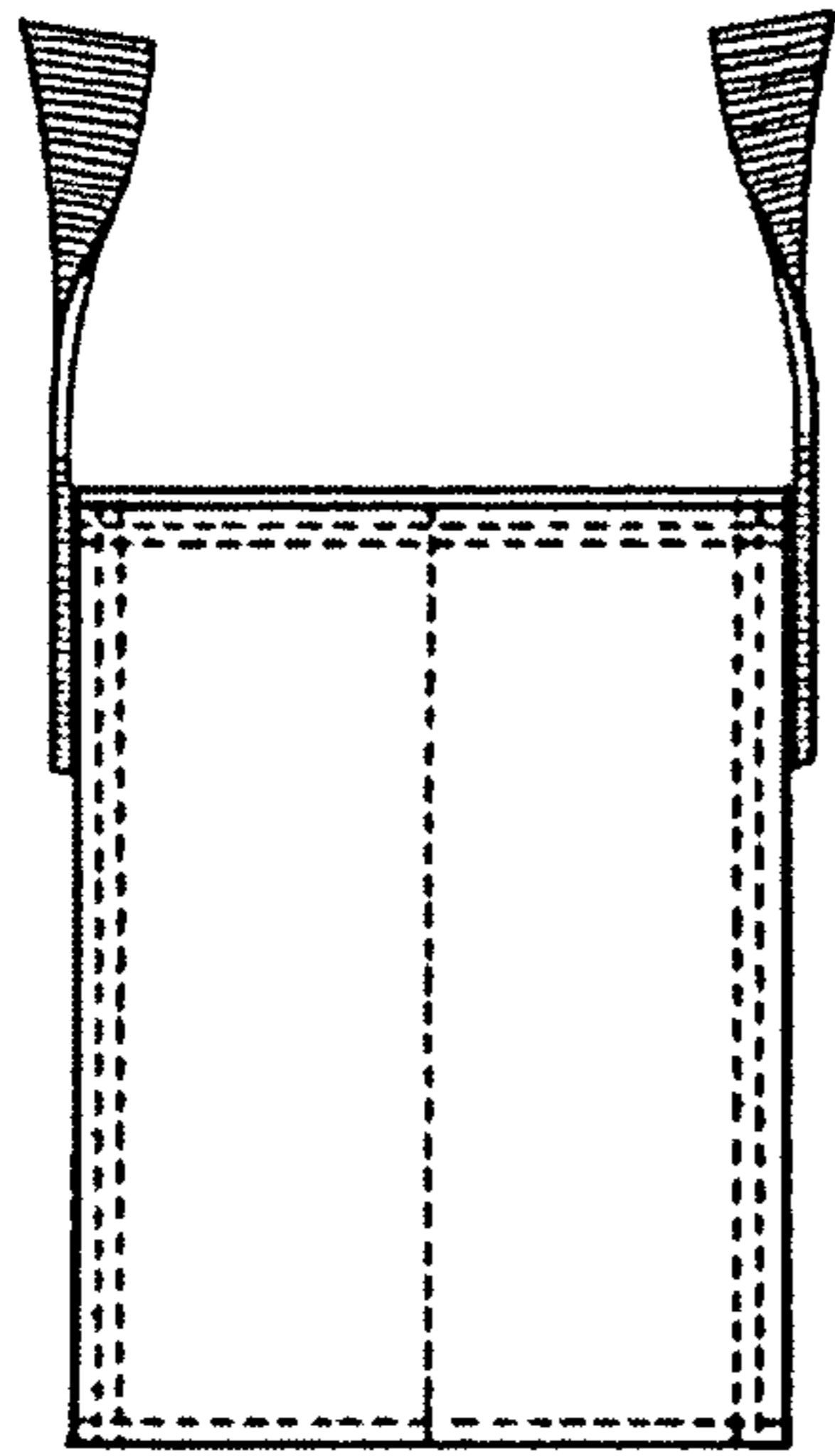


Fig. 6.

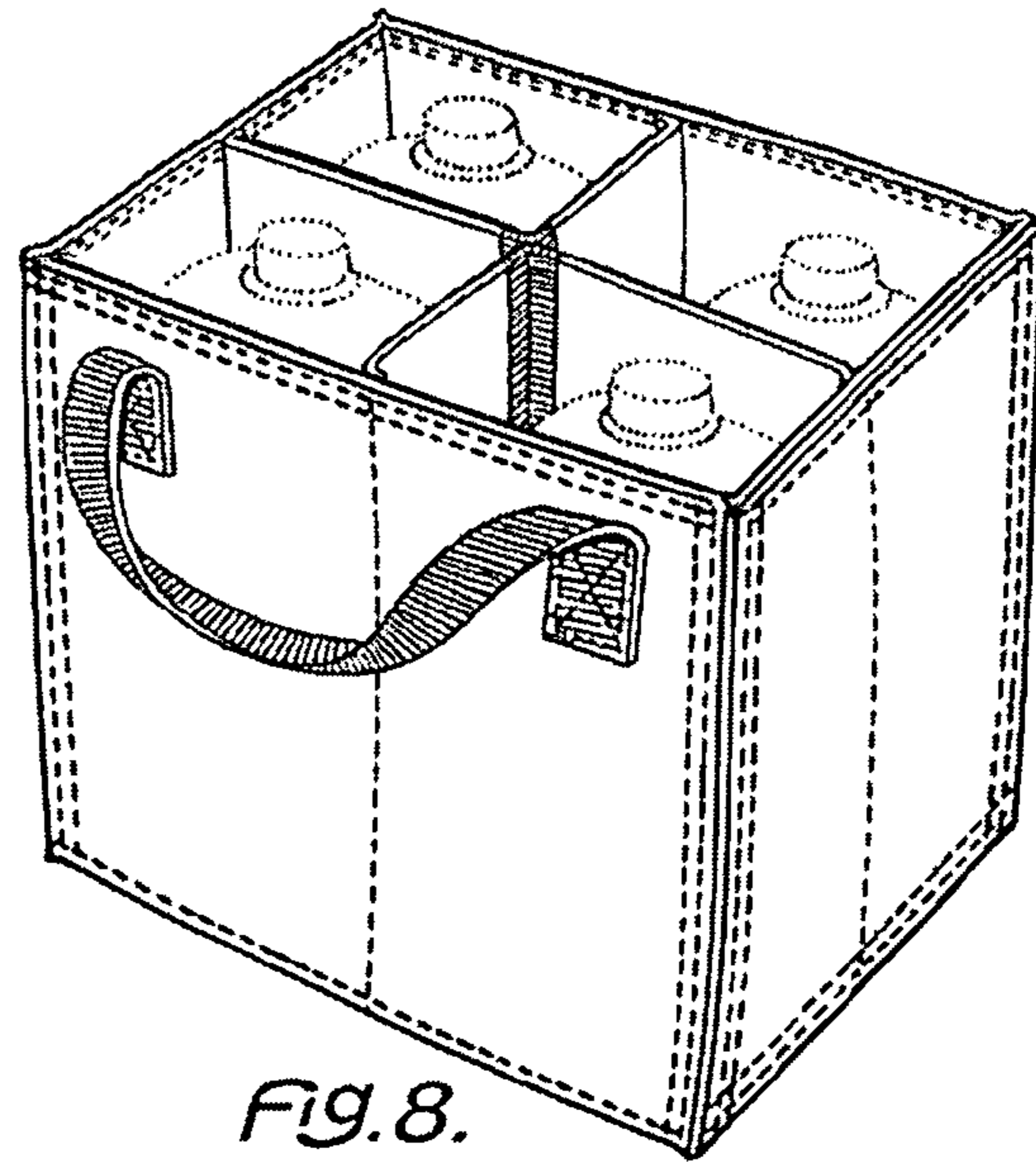


Fig. 8.

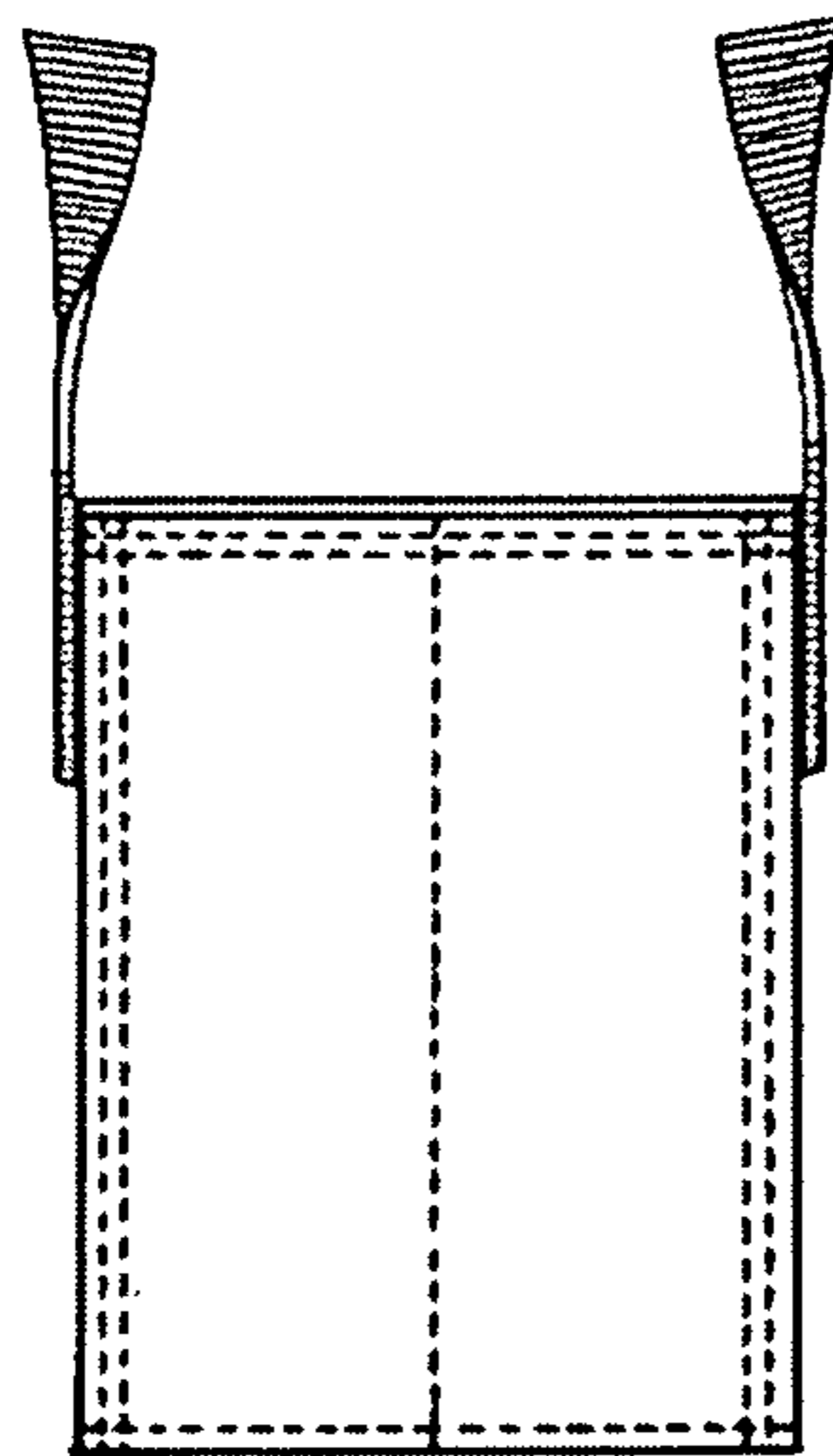


Fig. 7.

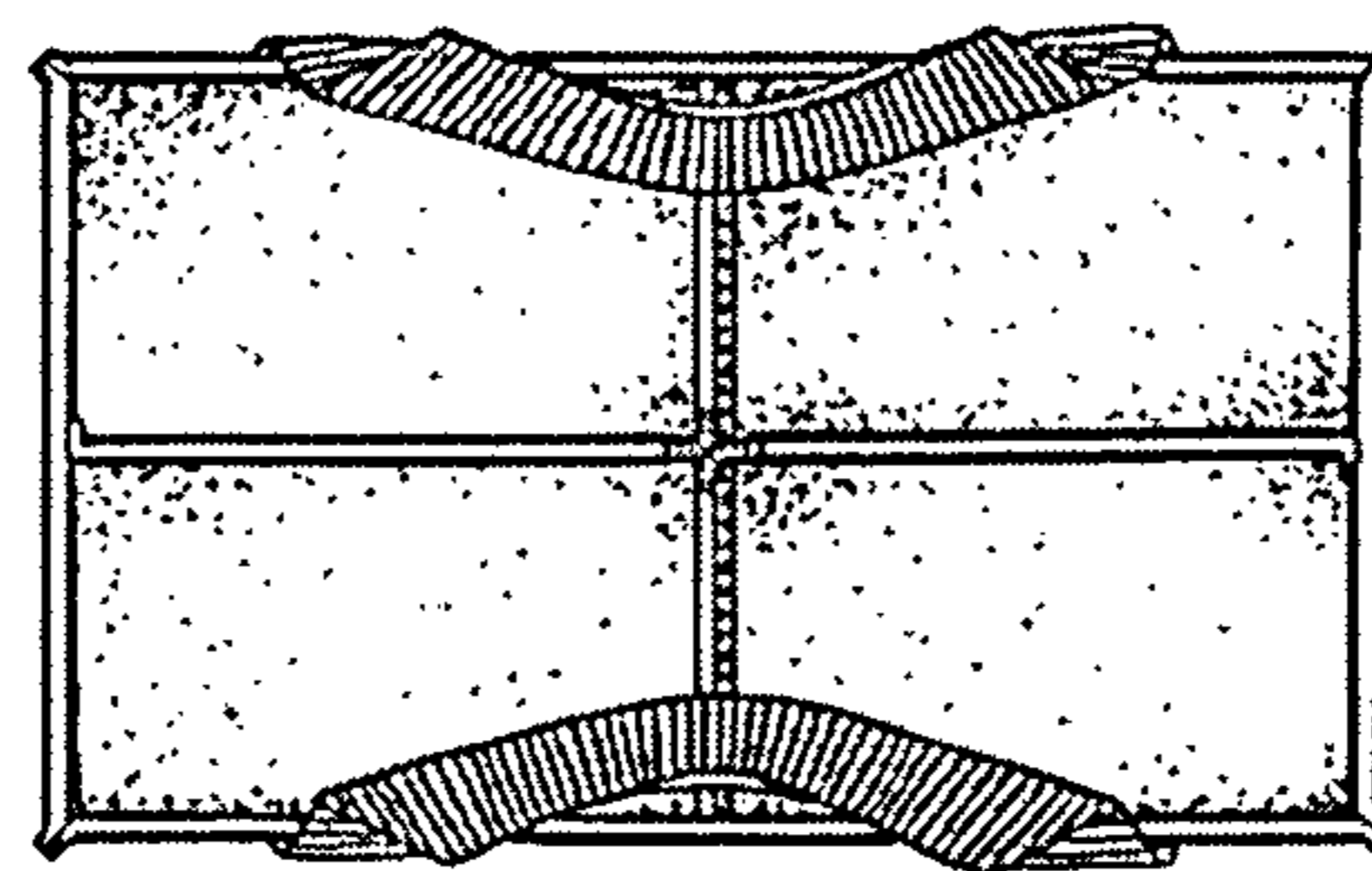


Fig. 9.

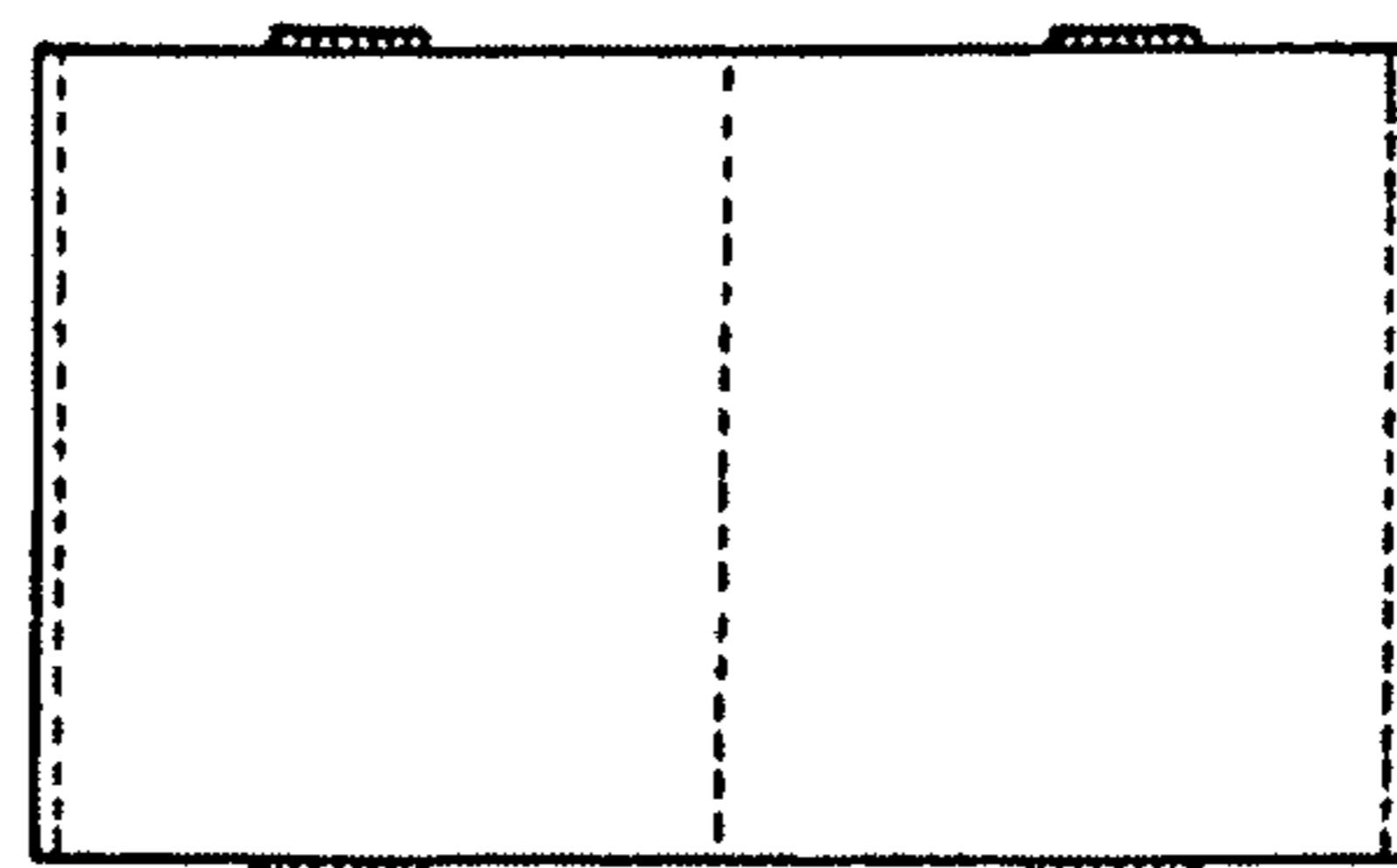


Fig. 10.

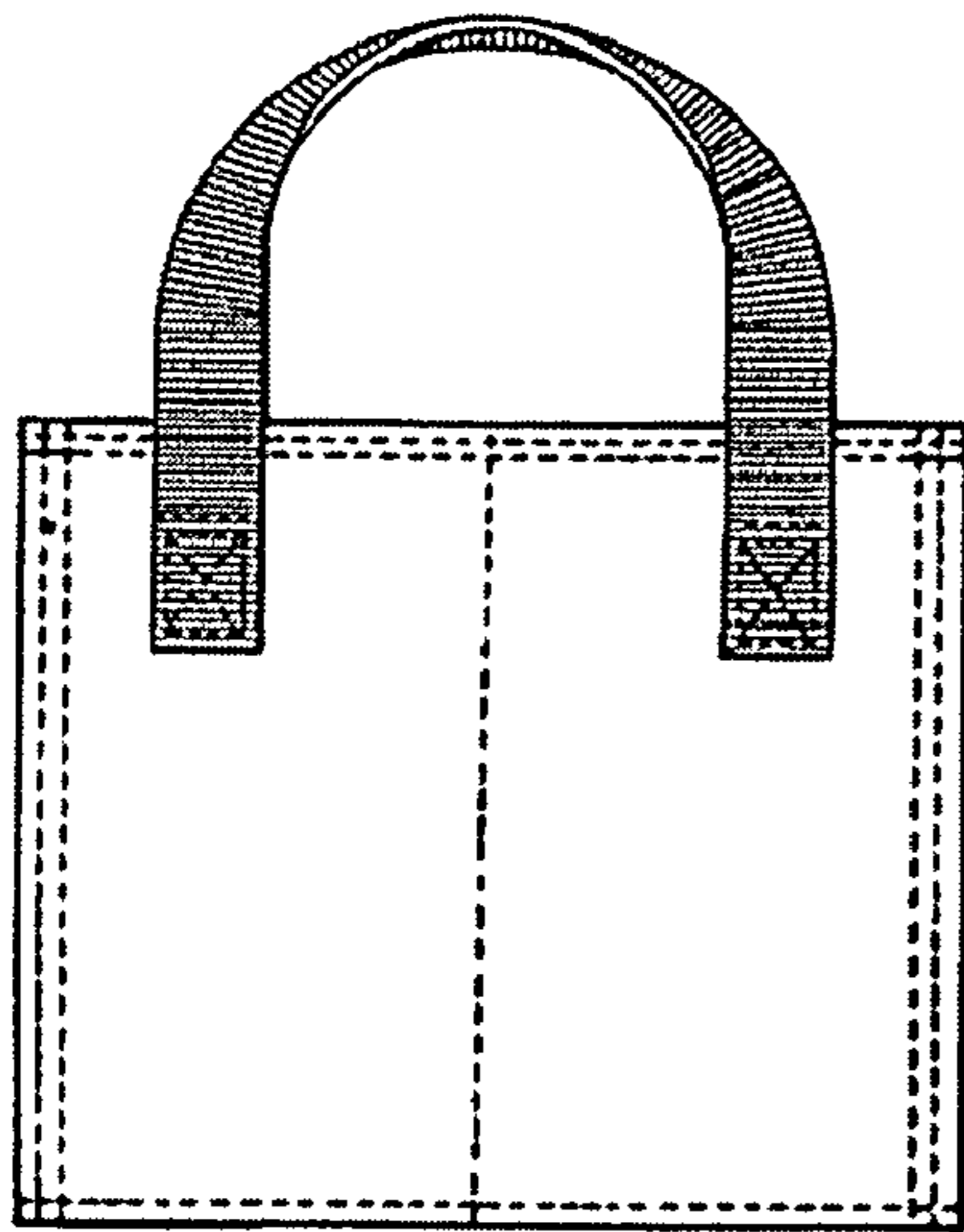


FIG. 11.

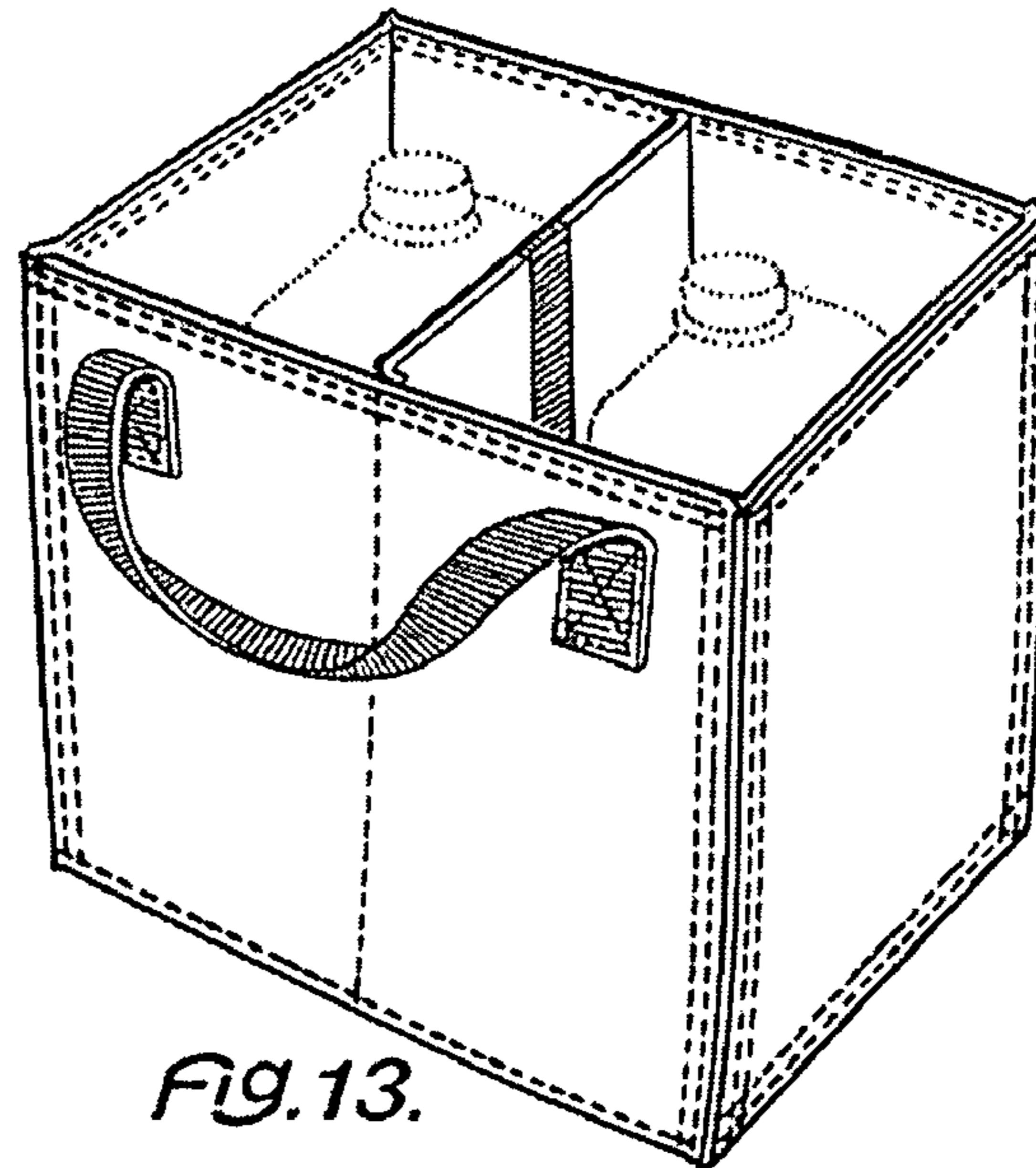


FIG. 13.

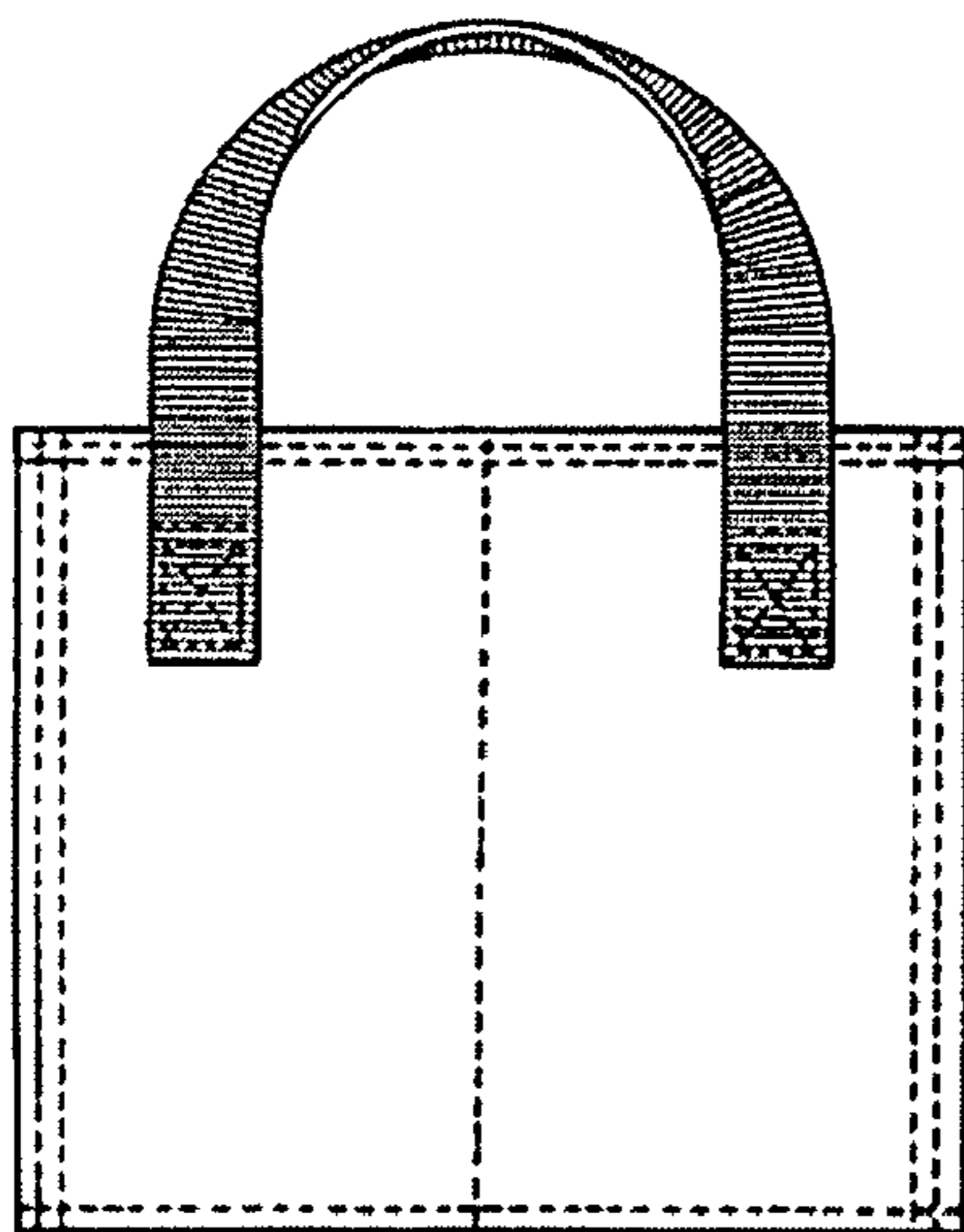


FIG. 12.

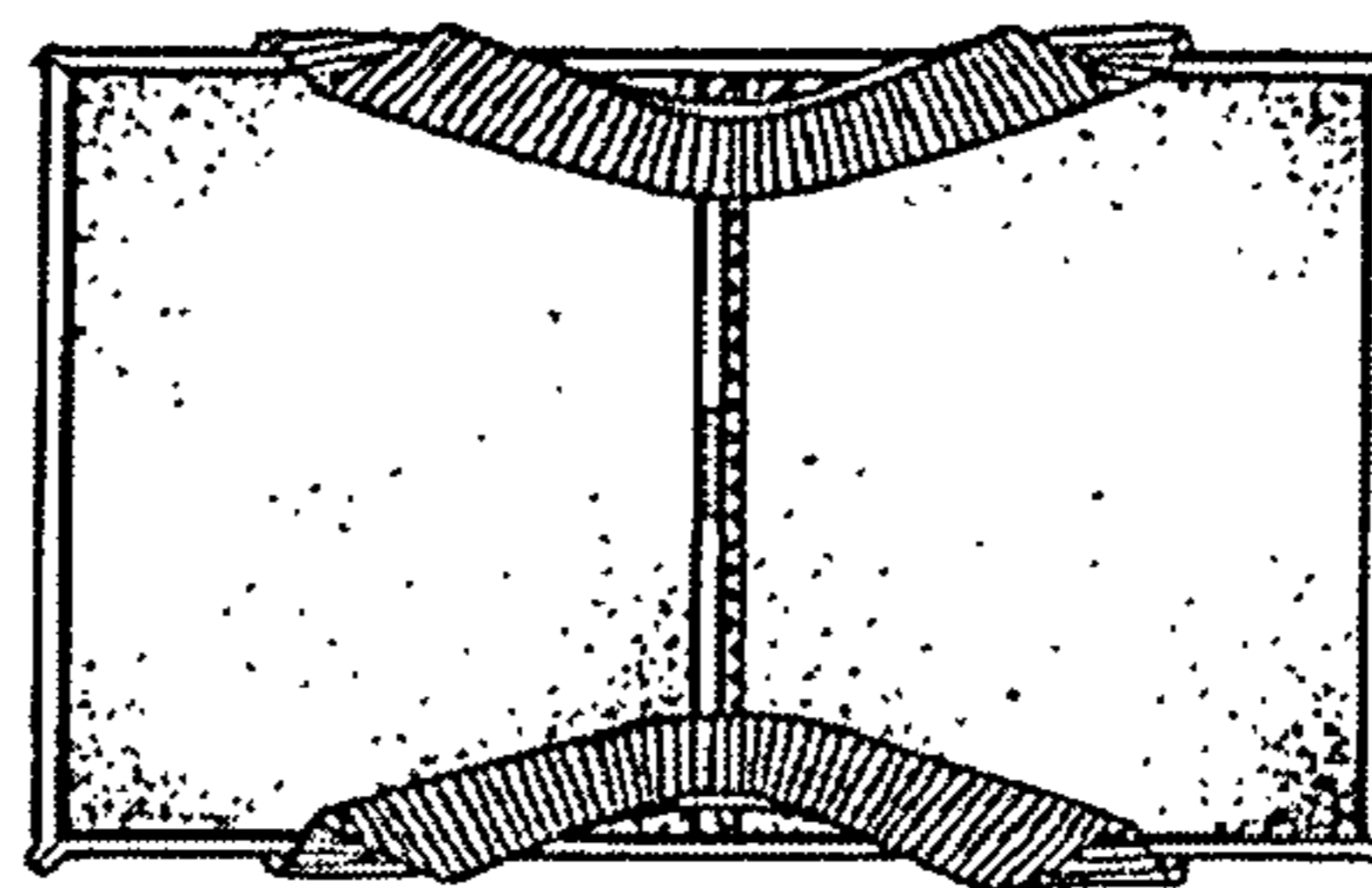


FIG. 14.

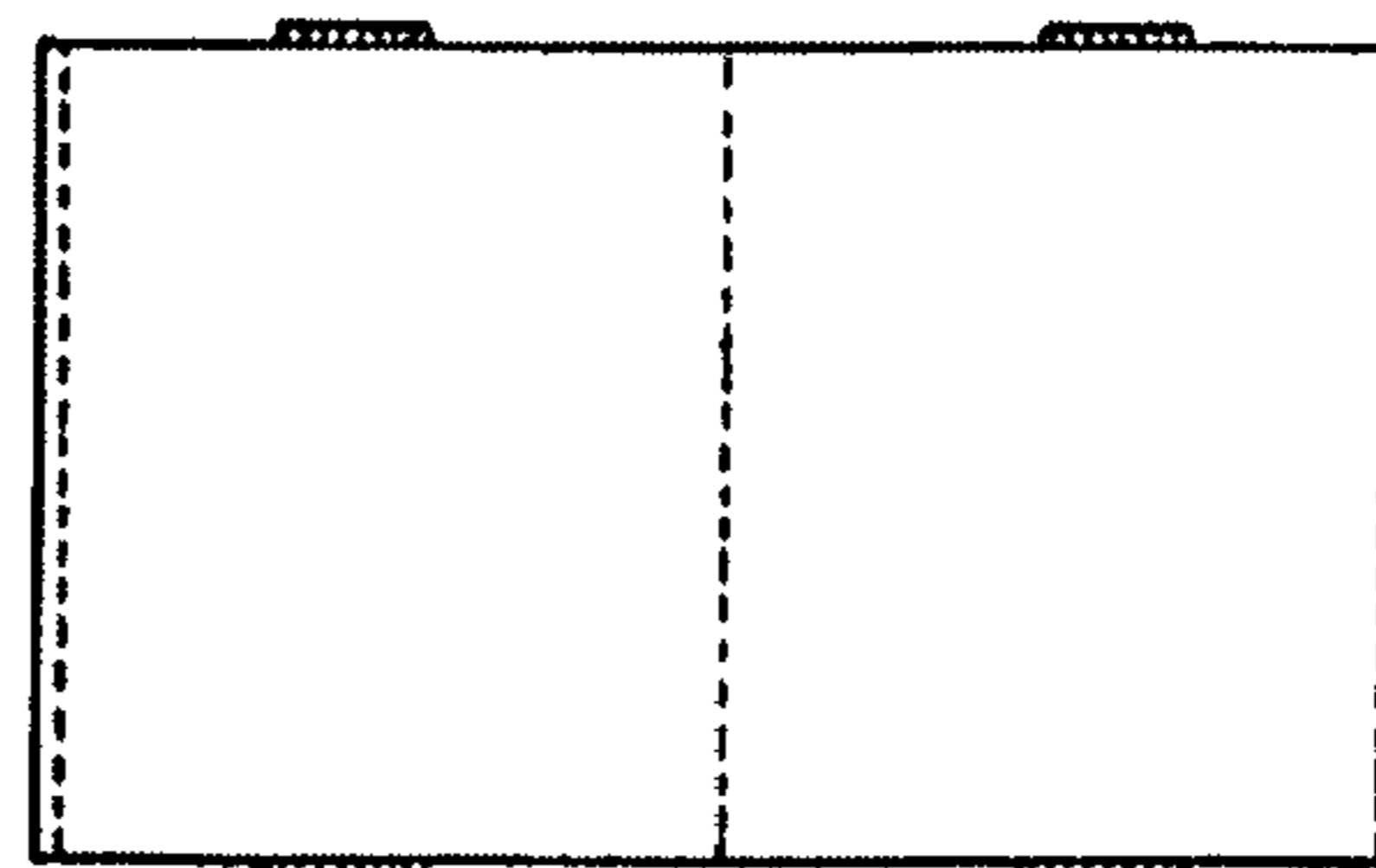


FIG. 15.

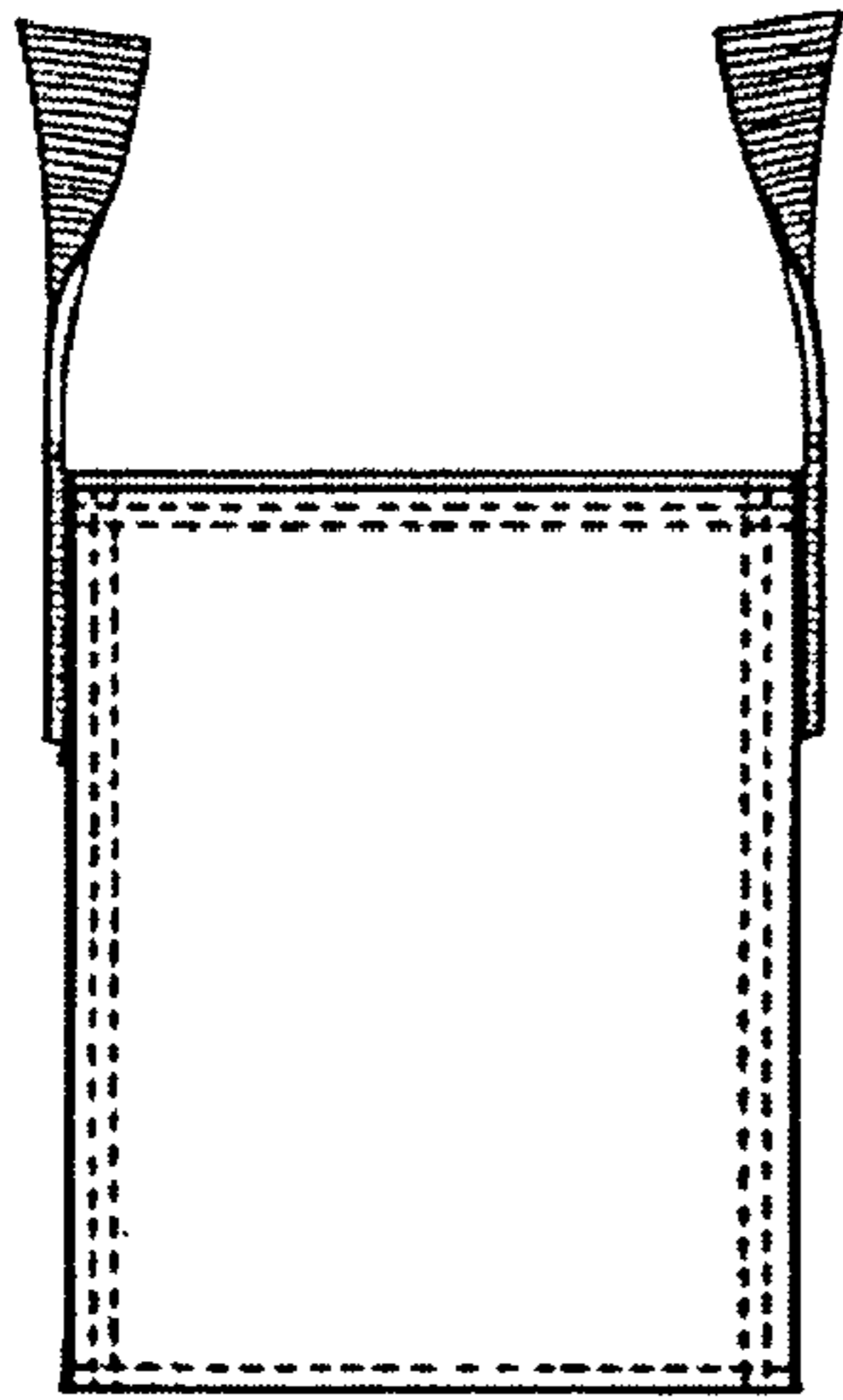


FIG. 16.

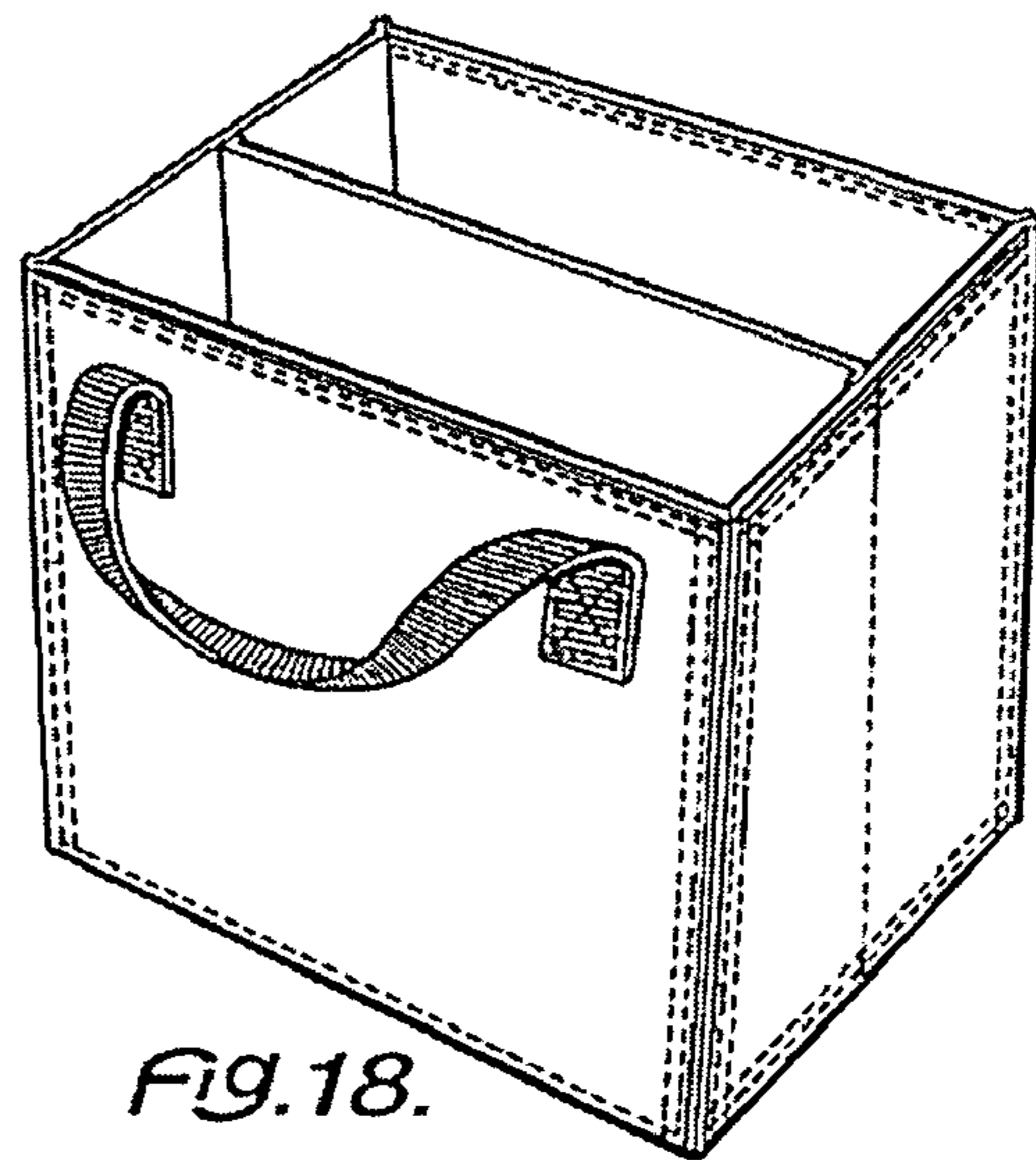


FIG. 18.

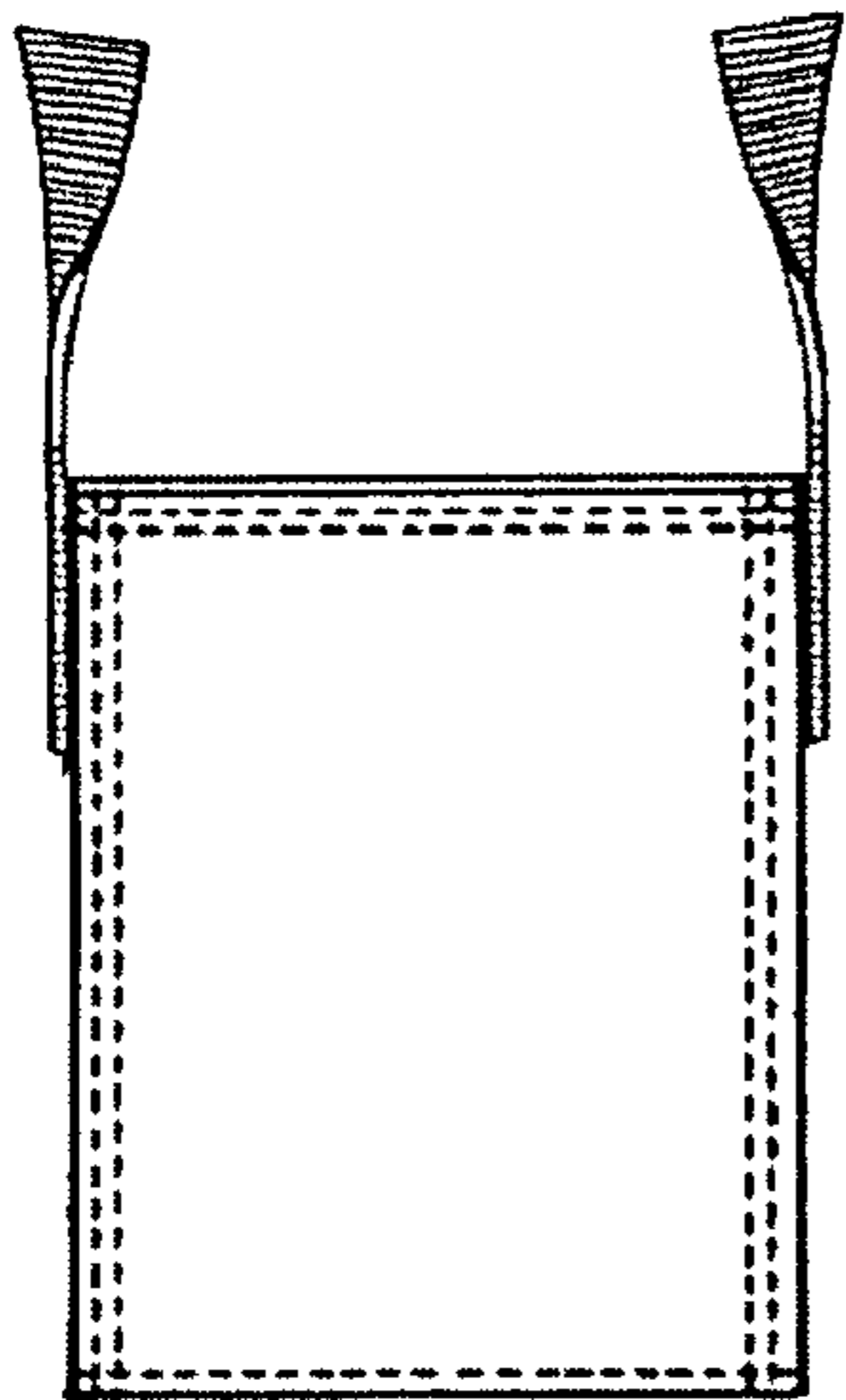


FIG. 17.

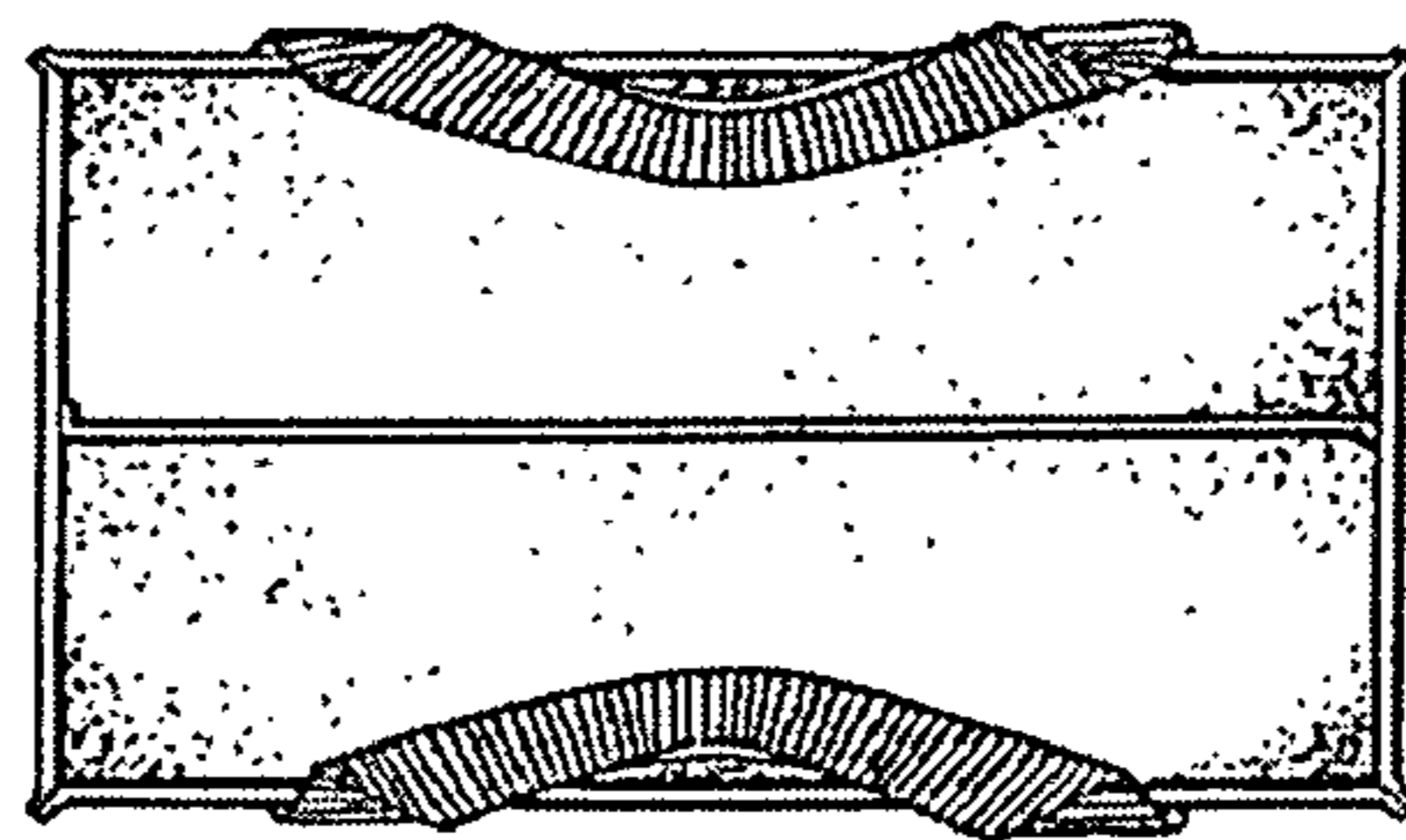


FIG. 19.

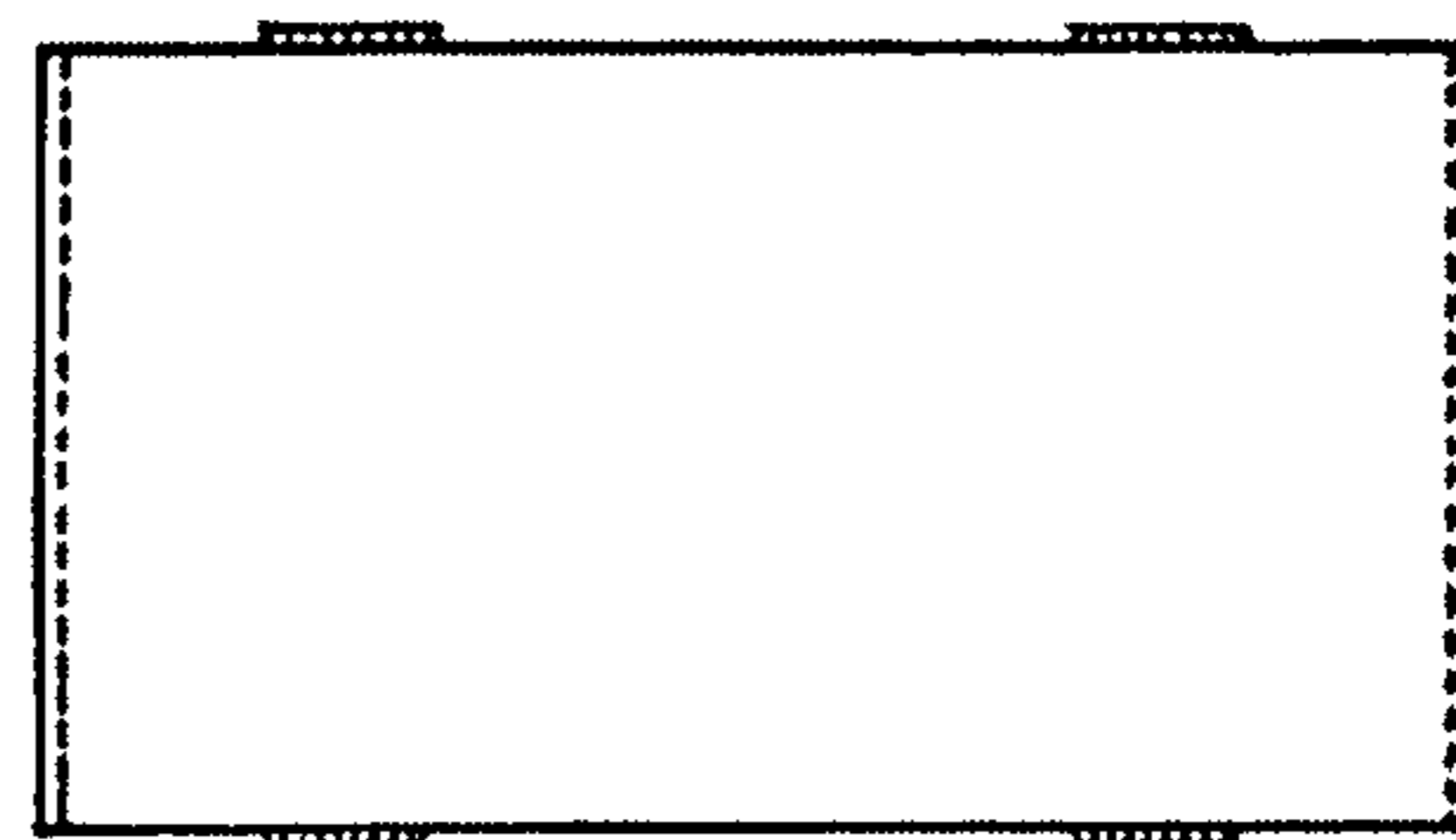


FIG. 20.

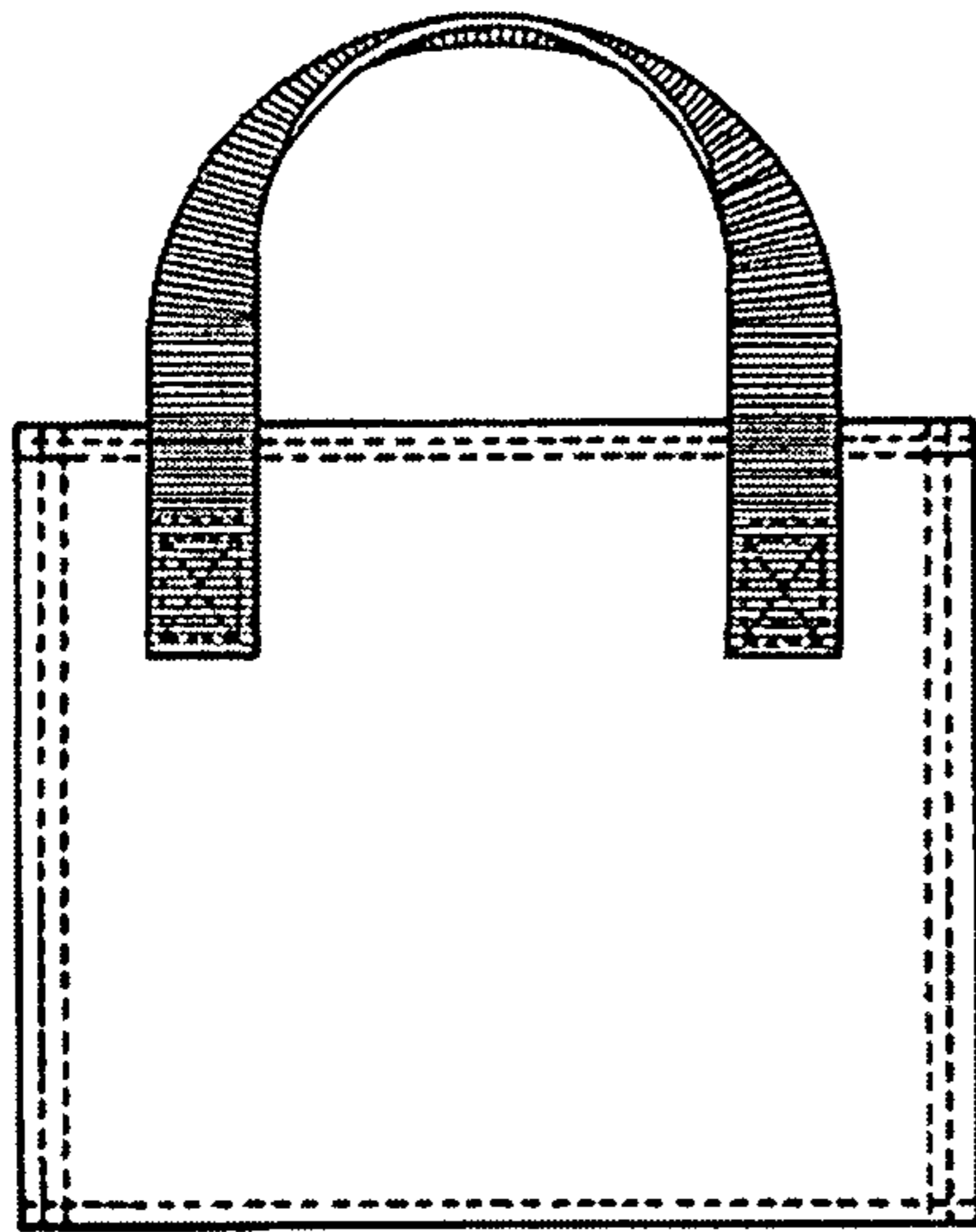


FIG. 21.

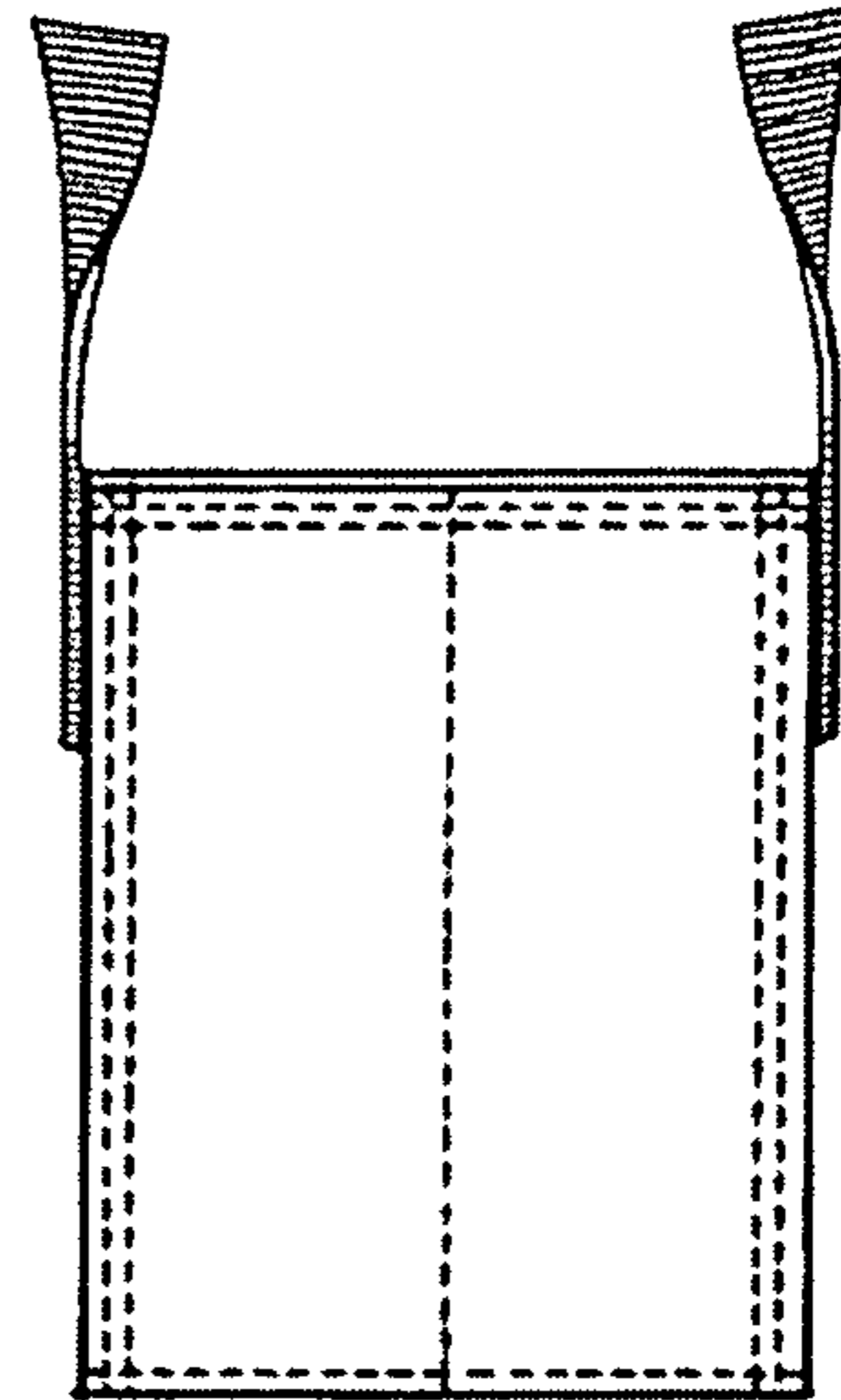


FIG. 23.

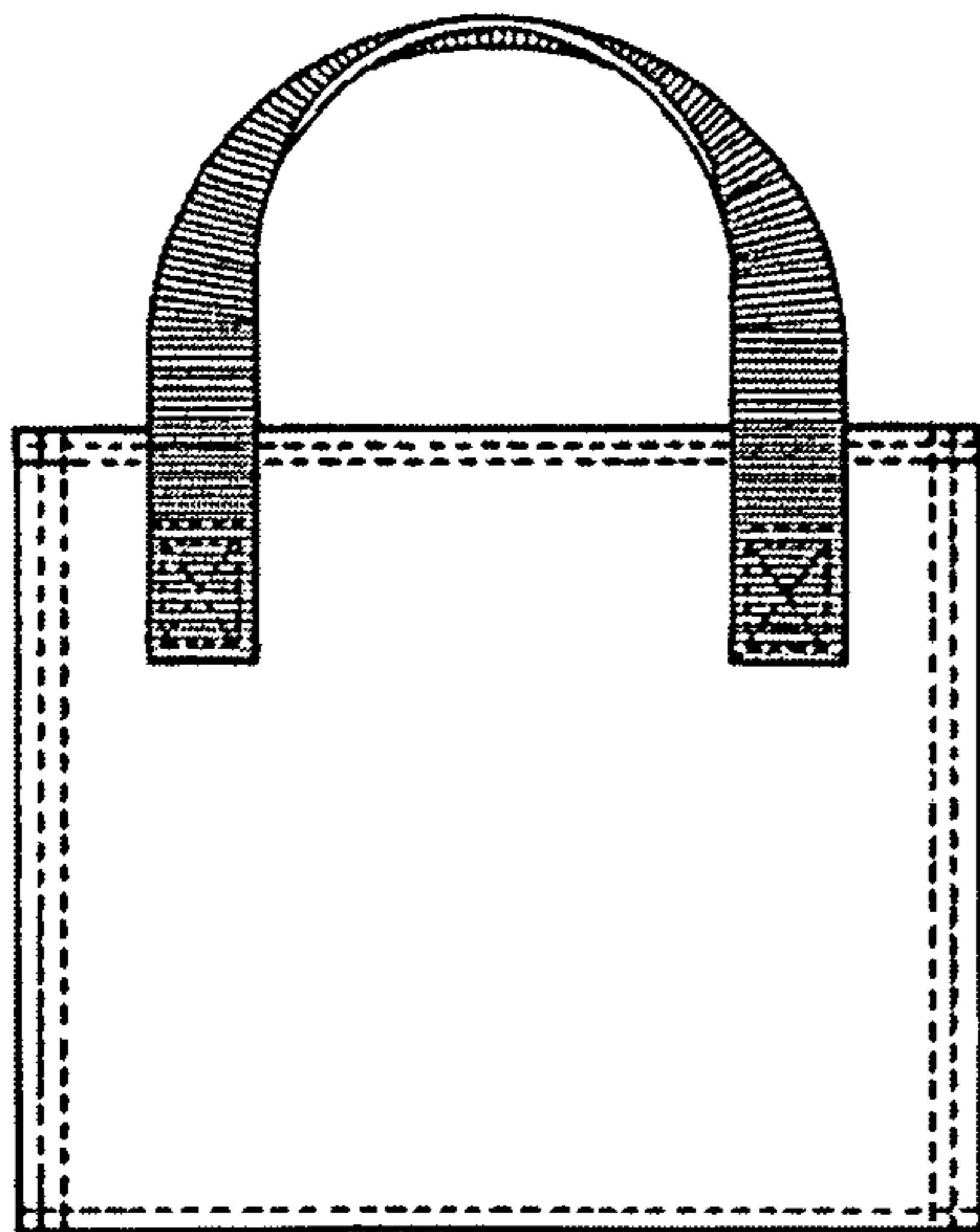


FIG. 22.

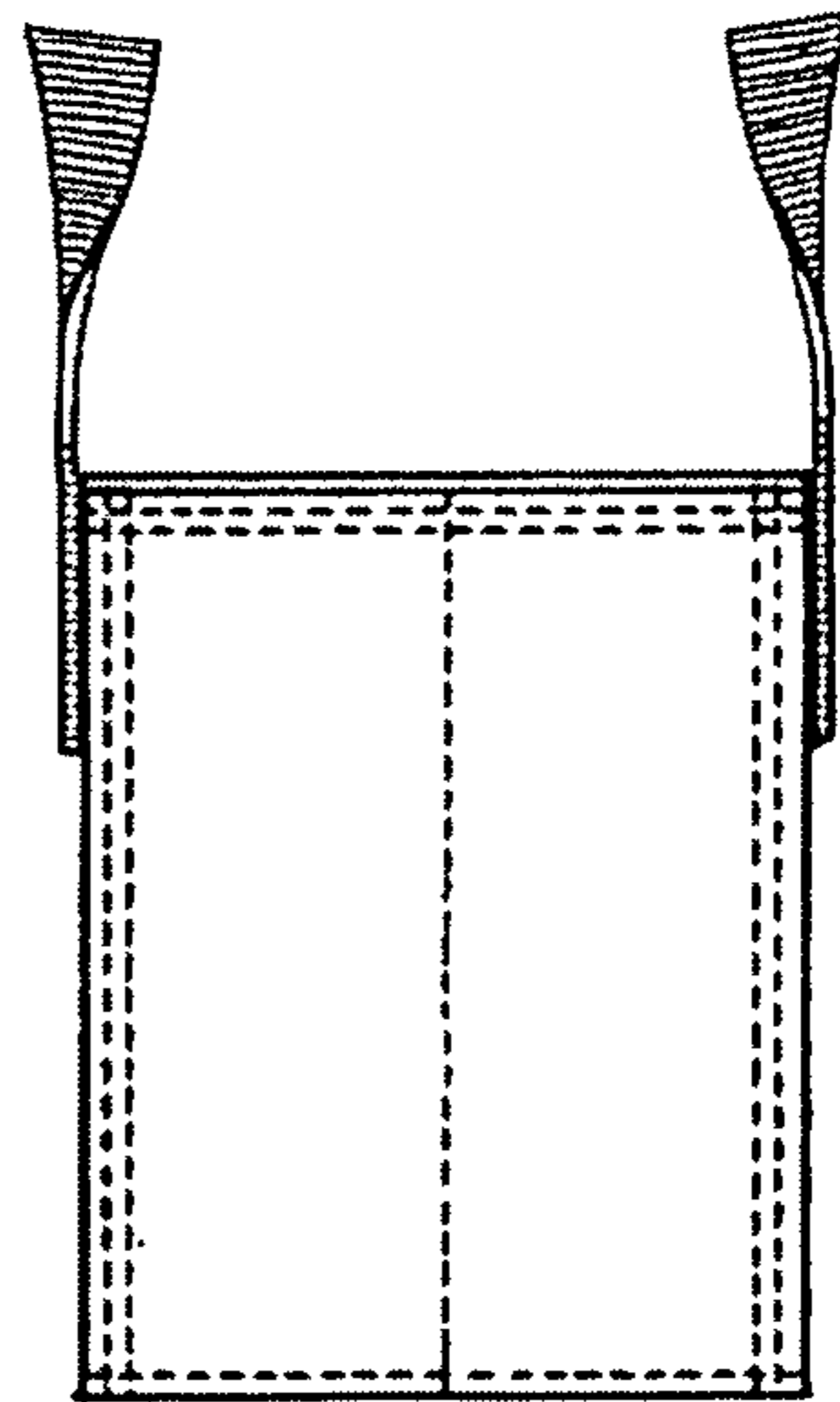


FIG. 24.

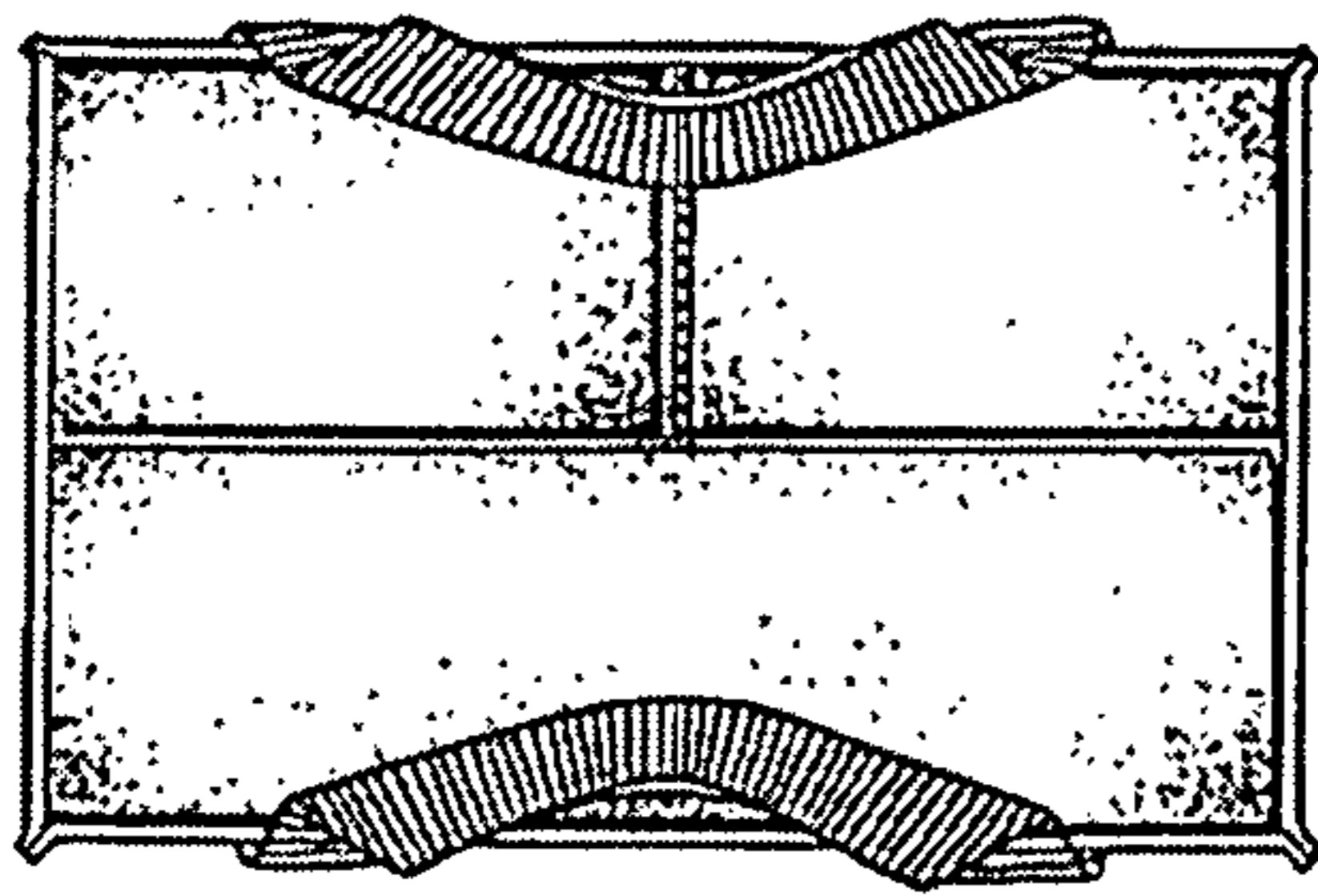


Fig. 25.

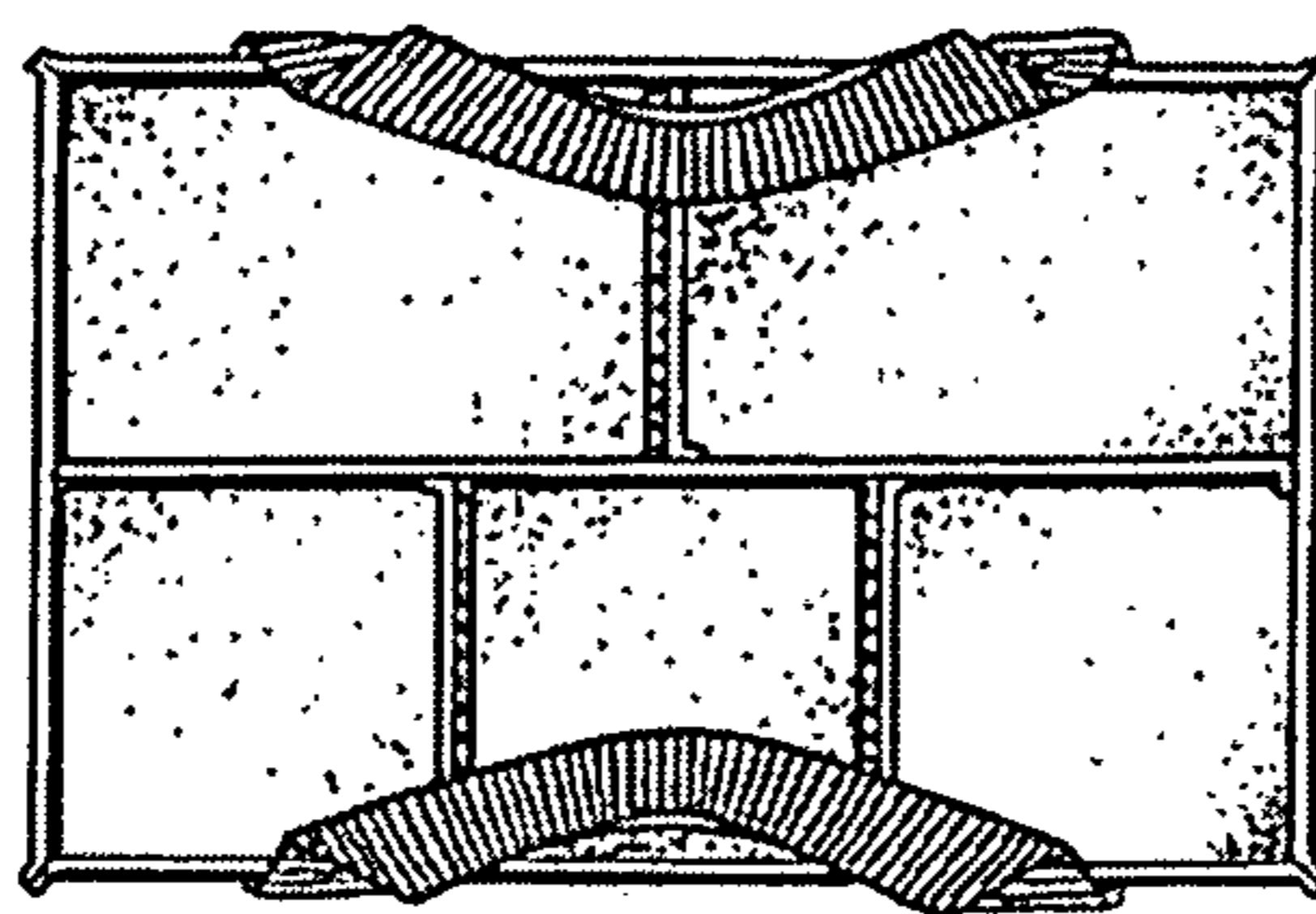


Fig. 26.

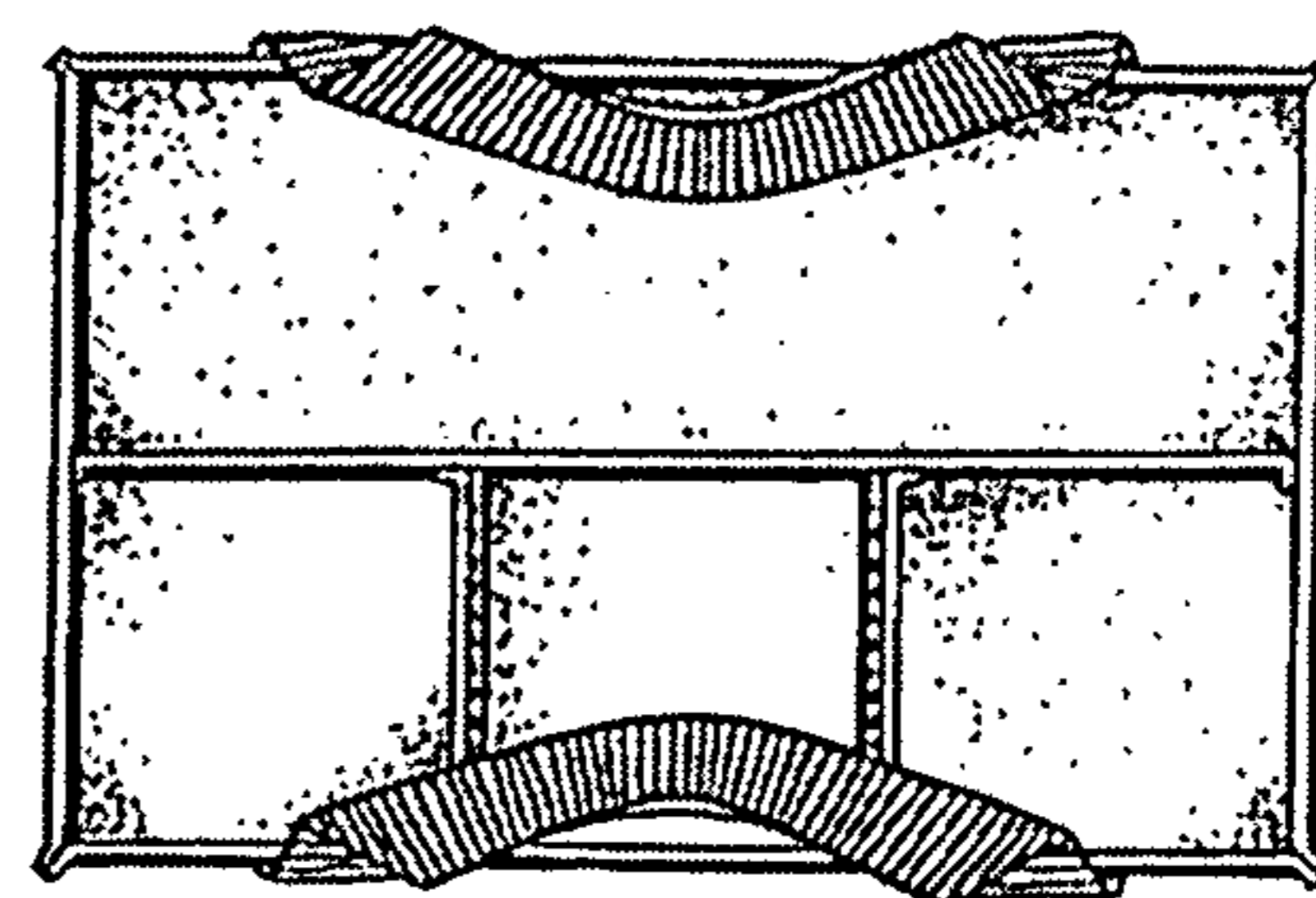


Fig. 27.