



US00D587895S

(12) **United States Design Patent**
Patadia et al.

(10) **Patent No.:** **US D587,895 S**
(45) **Date of Patent:** **** Mar. 10, 2009**

(54) **BAG FOR A BREASTPUMP**

(75) Inventors: **Sona N. Patadia**, Chicago, IL (US);
Lisa A Yanz, Chicago, IL (US)

(73) Assignee: **Medela Holding AG** (CH)

(**) Term: **14 Years**

(21) Appl. No.: **29/280,174**

(22) Filed: **May 18, 2007**

(51) **LOC (9) Cl.** **03-01**

(52) **U.S. Cl.** **D3/201**

(58) **Field of Classification Search** D3/203.1,
D3/233, 245–246, 303, 203.2–203.3, 232,
D3/273, 276, 283–287, 315, 900, 902; 190/100,
190/112, 115, 900; 383/42, 127; 150/100,
150/107, 110–111

See application file for complete search history.

(56) **References Cited**

U.S. PATENT DOCUMENTS

4,961,522	A *	10/1990	Weber	224/585
D390,004	S *	2/1998	Tawil	D3/246
D417,782	S *	12/1999	Tawil	D3/283
6,213,268	B1 *	4/2001	Dancyger	190/110
6,779,638	B2 *	8/2004	Renz et al.	190/111
D507,111	S *	7/2005	Renz et al.	D3/319
D511,891	S *	11/2005	Suppancig	D3/246
7,150,346	B2	12/2006	Renz et al.		
D545,058	S *	6/2007	Kiely et al.	D3/246
D560,356	S *	1/2008	Greiner	D3/246

OTHER PUBLICATIONS

<http://www.breastpumpsdirect.com/photos/470-2.jpg>*

* cited by examiner

Primary Examiner—T. Chase Nelson

Assistant Examiner—Kathleen M Sims

(74) *Attorney, Agent, or Firm*—McDonnell Boehnen Hulbert
& Berghoff LLP

(57) **CLAIM**

The ornamental design for a bag for a breastpump, as shown and described.

DESCRIPTION

FIG. 1 is a perspective view of a first embodiment of a bag for a breastpump showing our new design;

FIG. 2 is a front elevational view thereof;

FIG. 3 is a rear elevational view thereof;

FIG. 4 is a right side elevational view thereof;

FIG. 5 is a left side elevational view thereof;

FIG. 6 is a top plan view thereof; and

FIG. 7 is a bottom plan view thereof.

FIG. 8 is a perspective view of a second embodiment of a bag for a breastpump;

FIG. 9 is a front elevational view thereof;

FIG. 10 is a rear elevational view thereof;

FIG. 11 is a right side elevational view thereof;

FIG. 12 is a left side elevational view thereof;

FIG. 13 is a top plan view thereof; and

FIG. 14 is a bottom plan view thereof.

FIG. 15 is a perspective view of a third embodiment of a bag for a breastpump.

FIG. 16 is a front elevational view thereof;

FIG. 17 is a rear elevational view thereof;

FIG. 18 is a right side elevational view thereof;

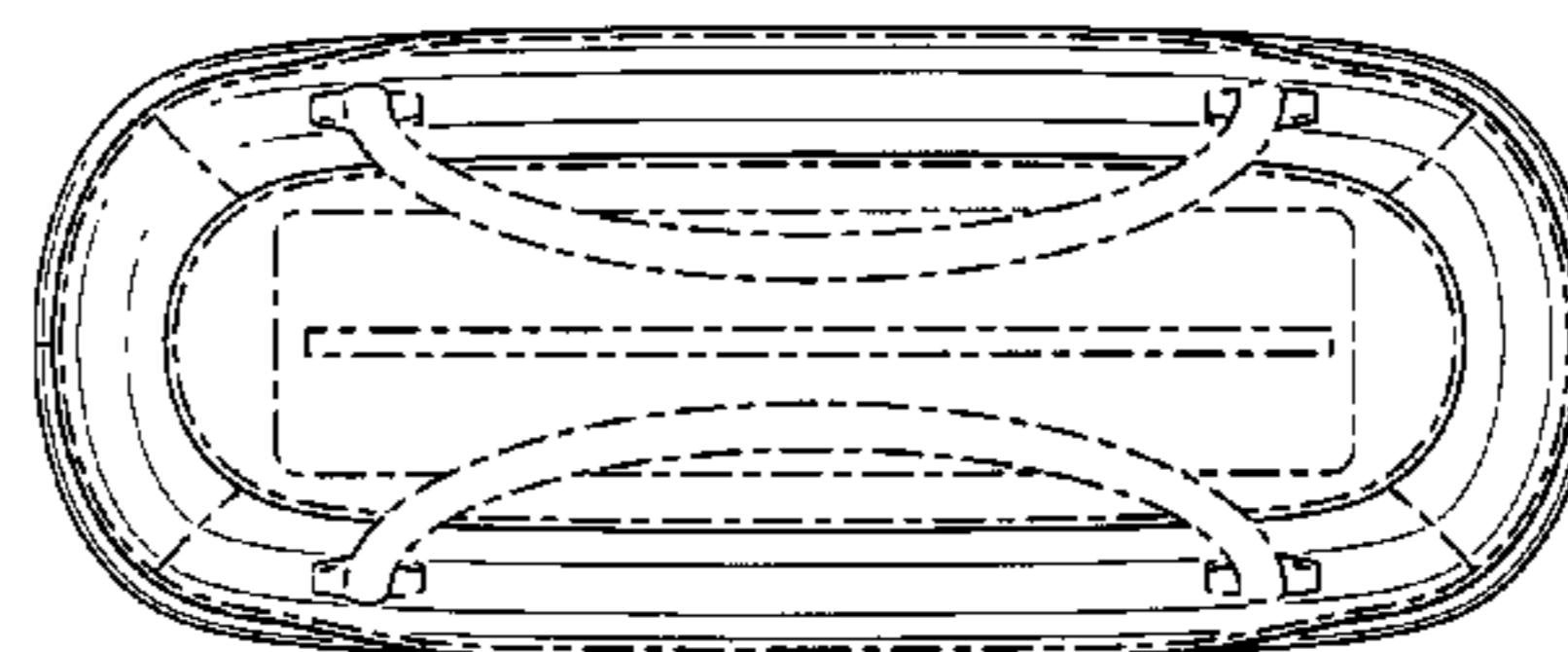
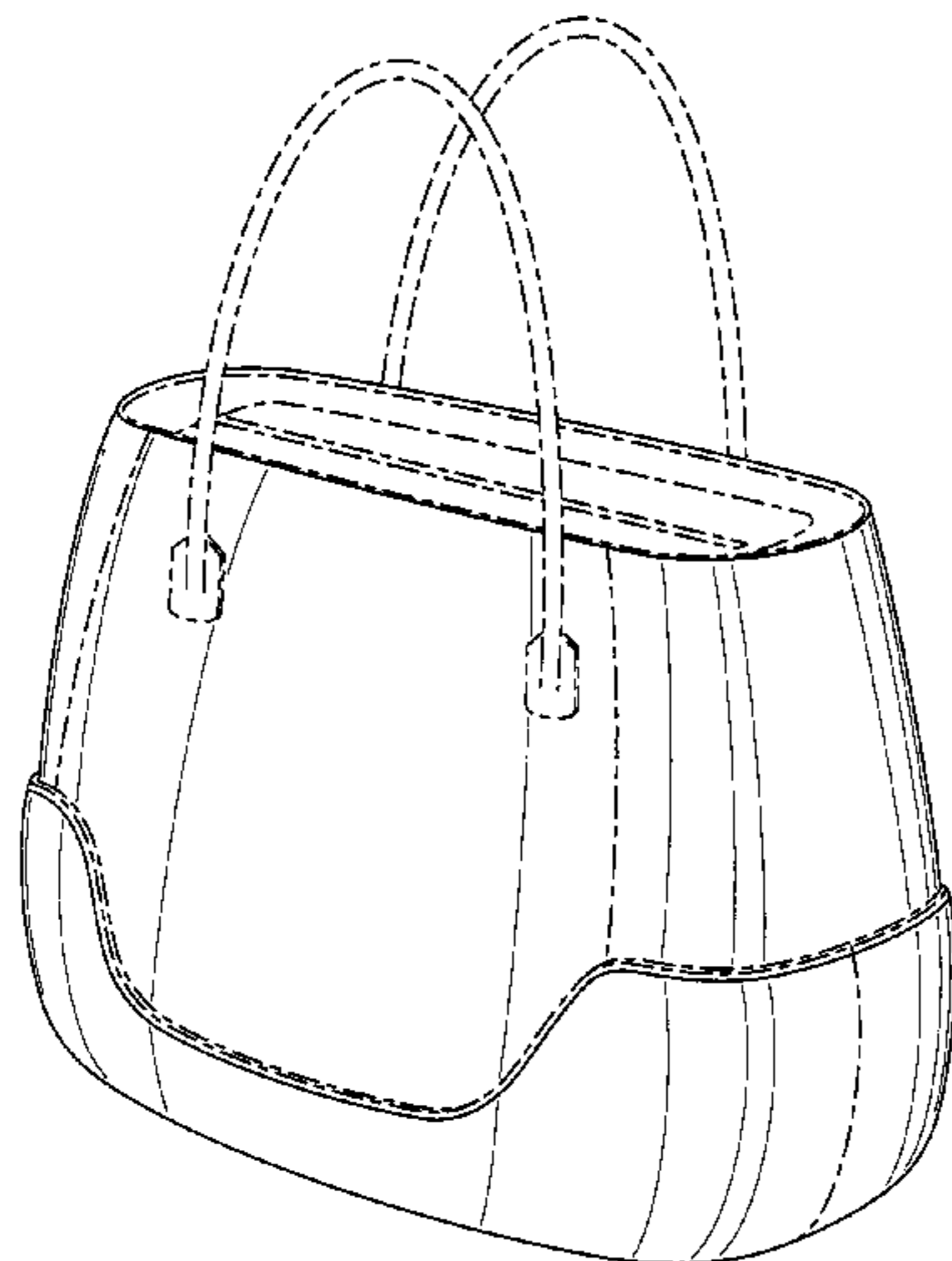
FIG. 19 is a left side elevational view thereof;

FIG. 20 is a top plan view thereof; and,

FIG. 21 is a bottom plan view thereof.

The broken line showing of details including handles, trim, interior portions, and zipper pull is included for the purpose of illustrating environmental portions of the bag for a breastpump and forms no part of the claimed design.

1 Claim, 15 Drawing Sheets



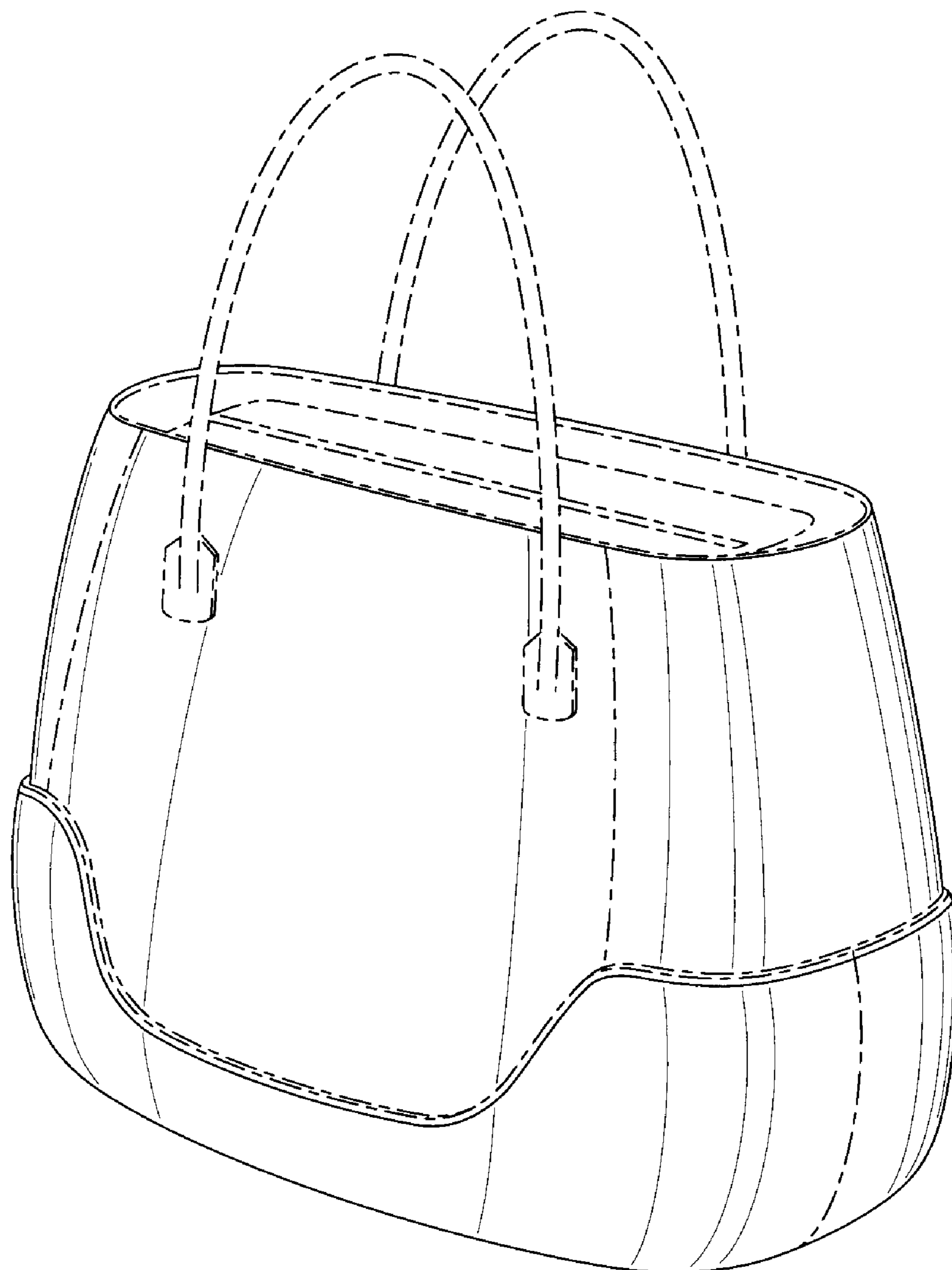


FIG. 1

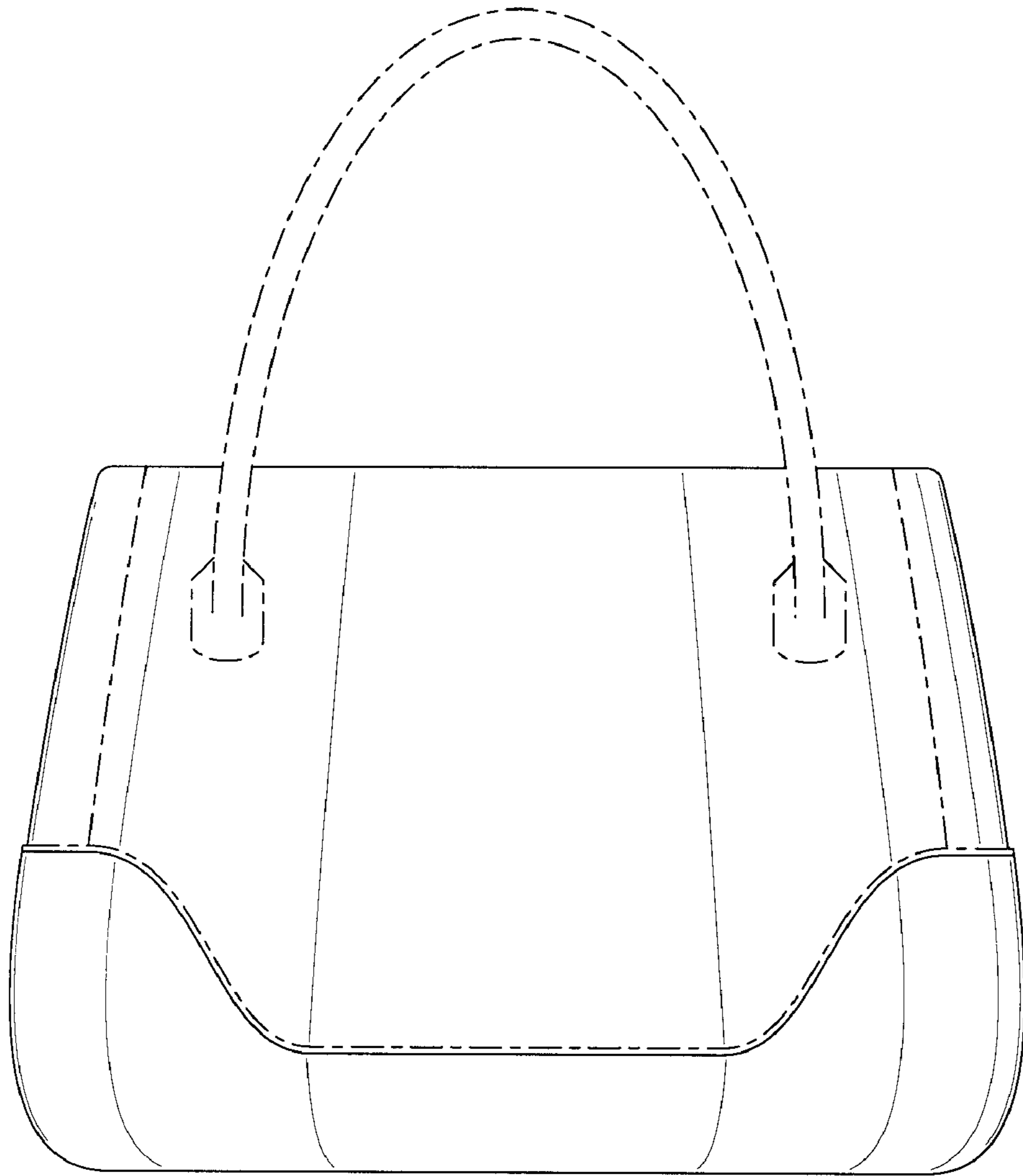


FIG. 2

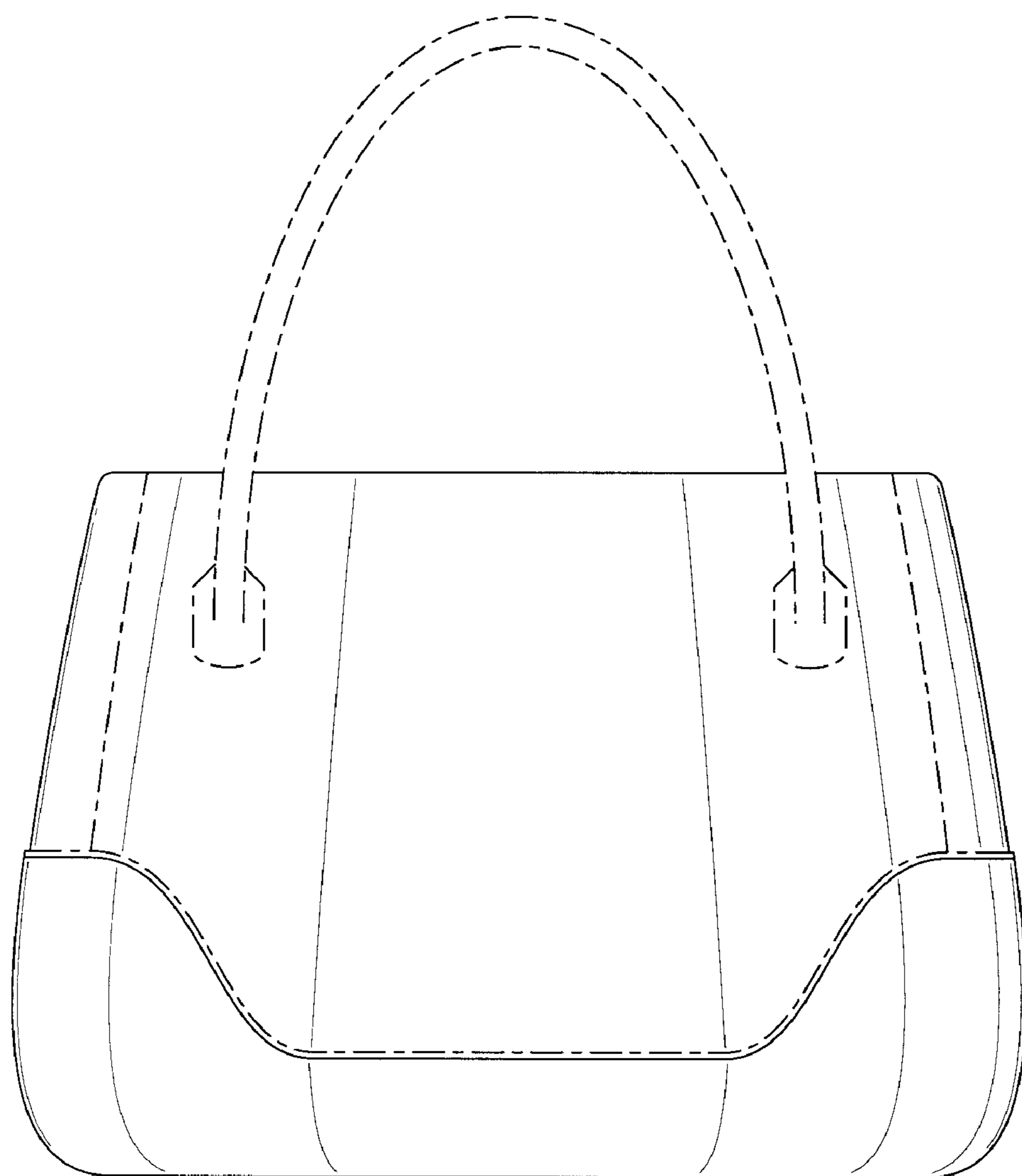


FIG. 3

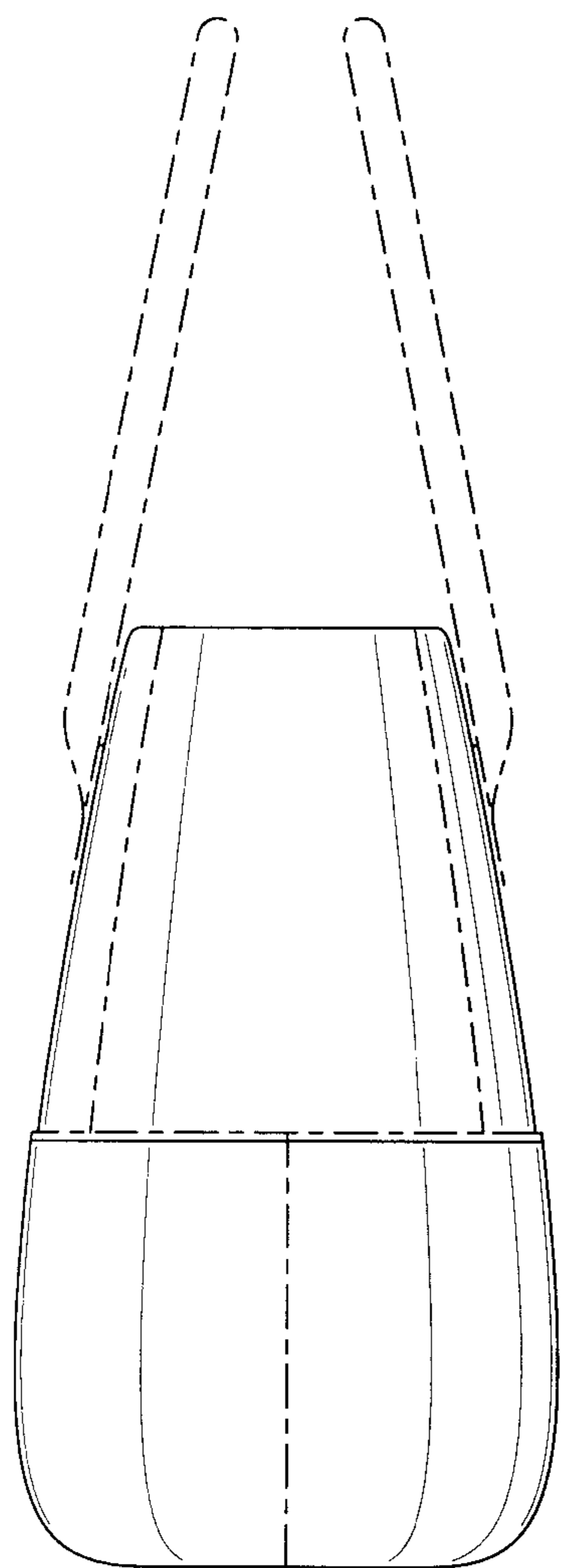


FIG. 4

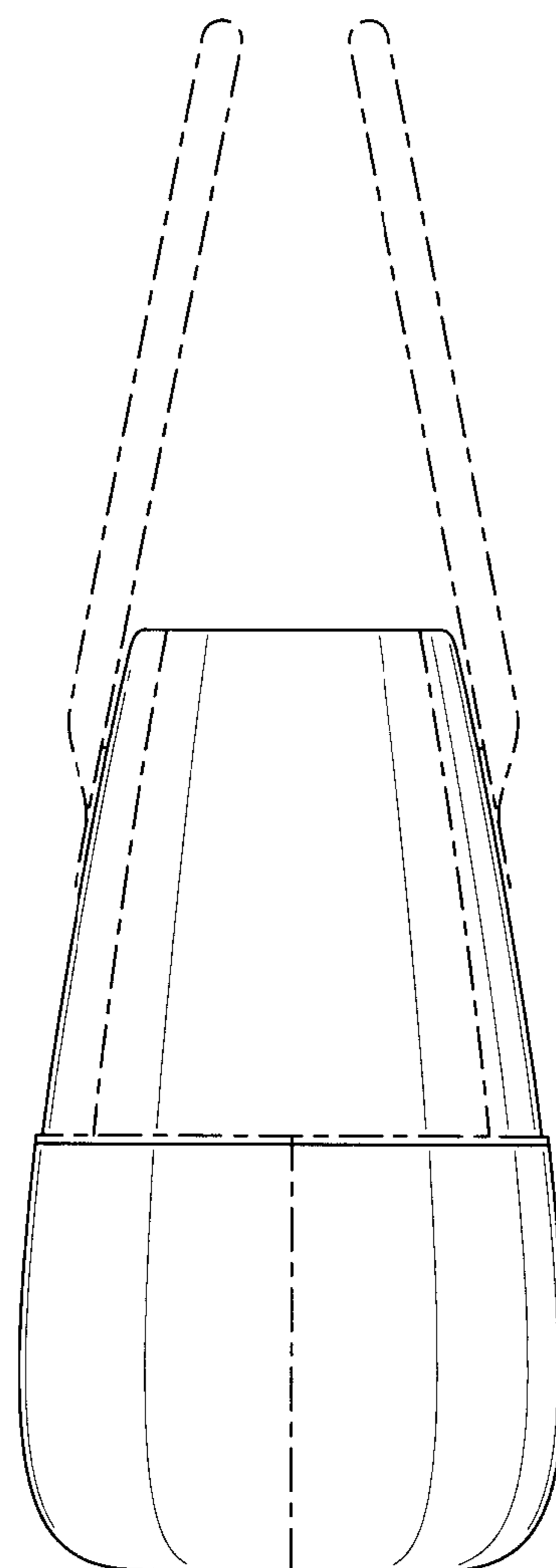


FIG. 5

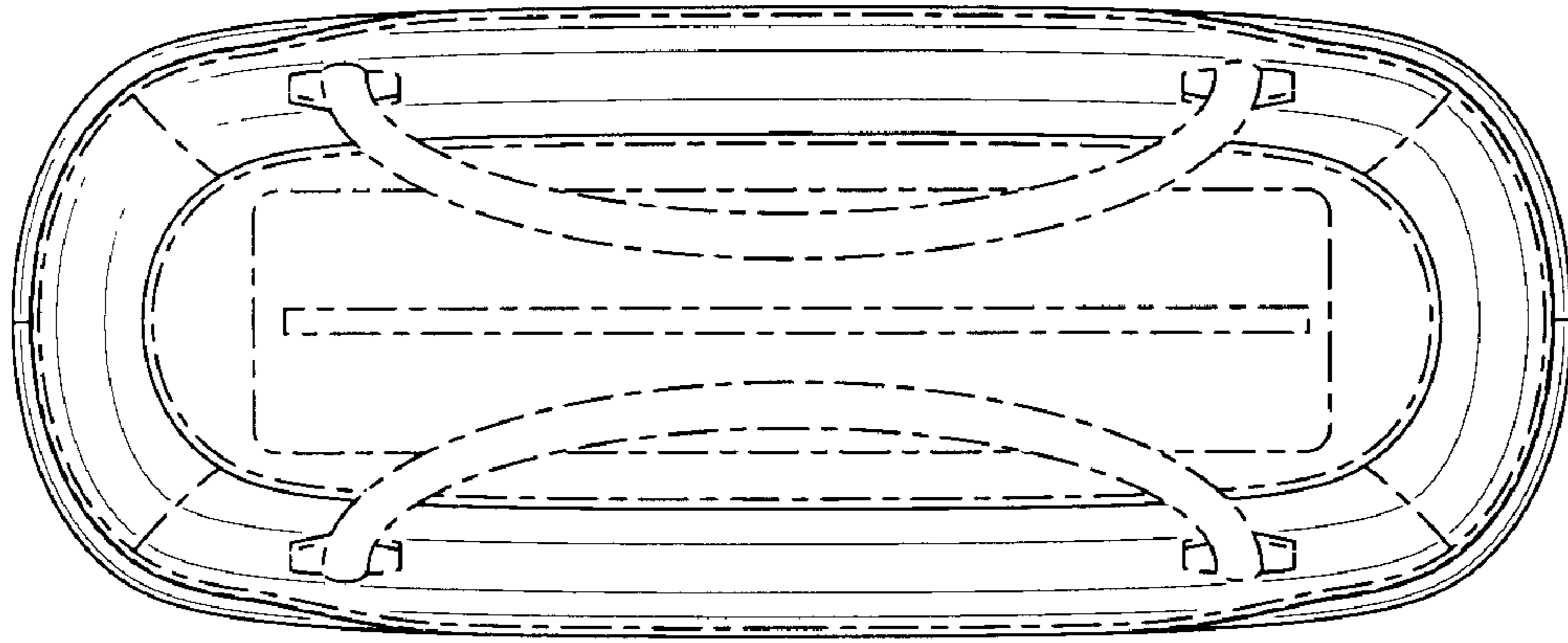


FIG. 6

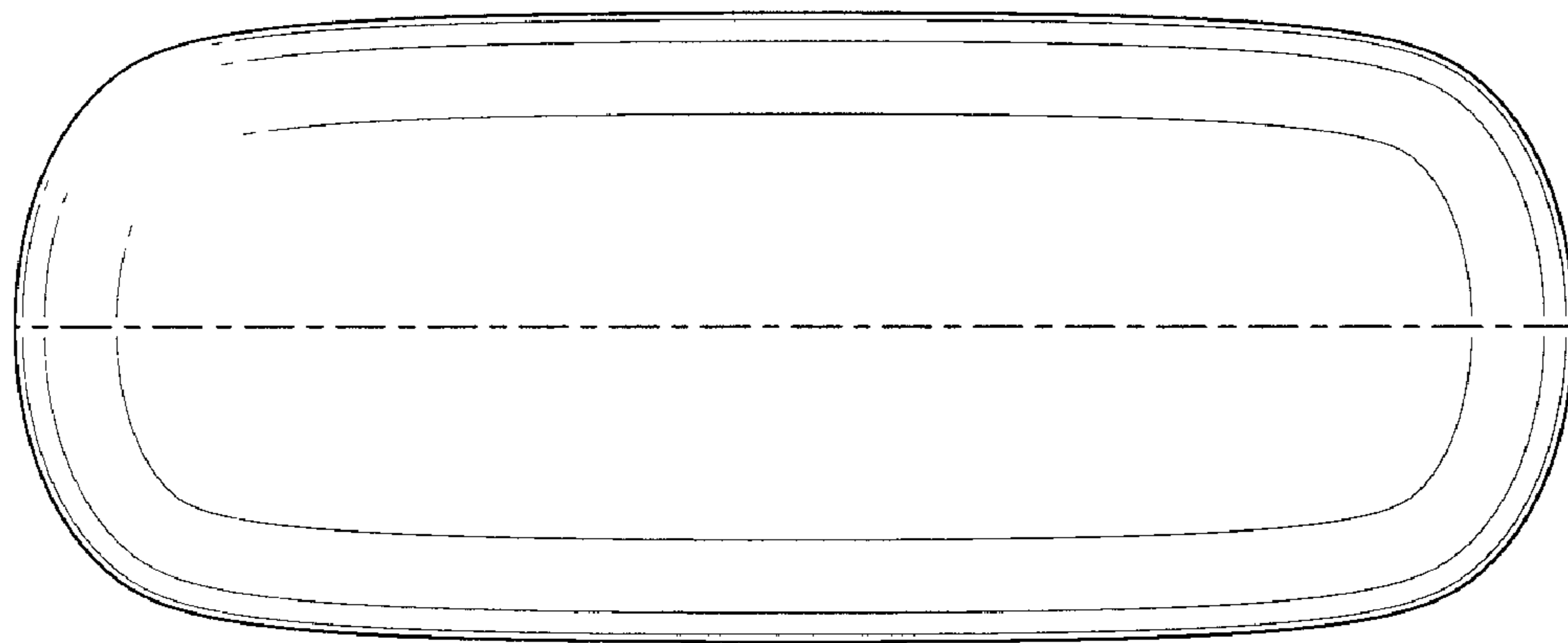


FIG. 7

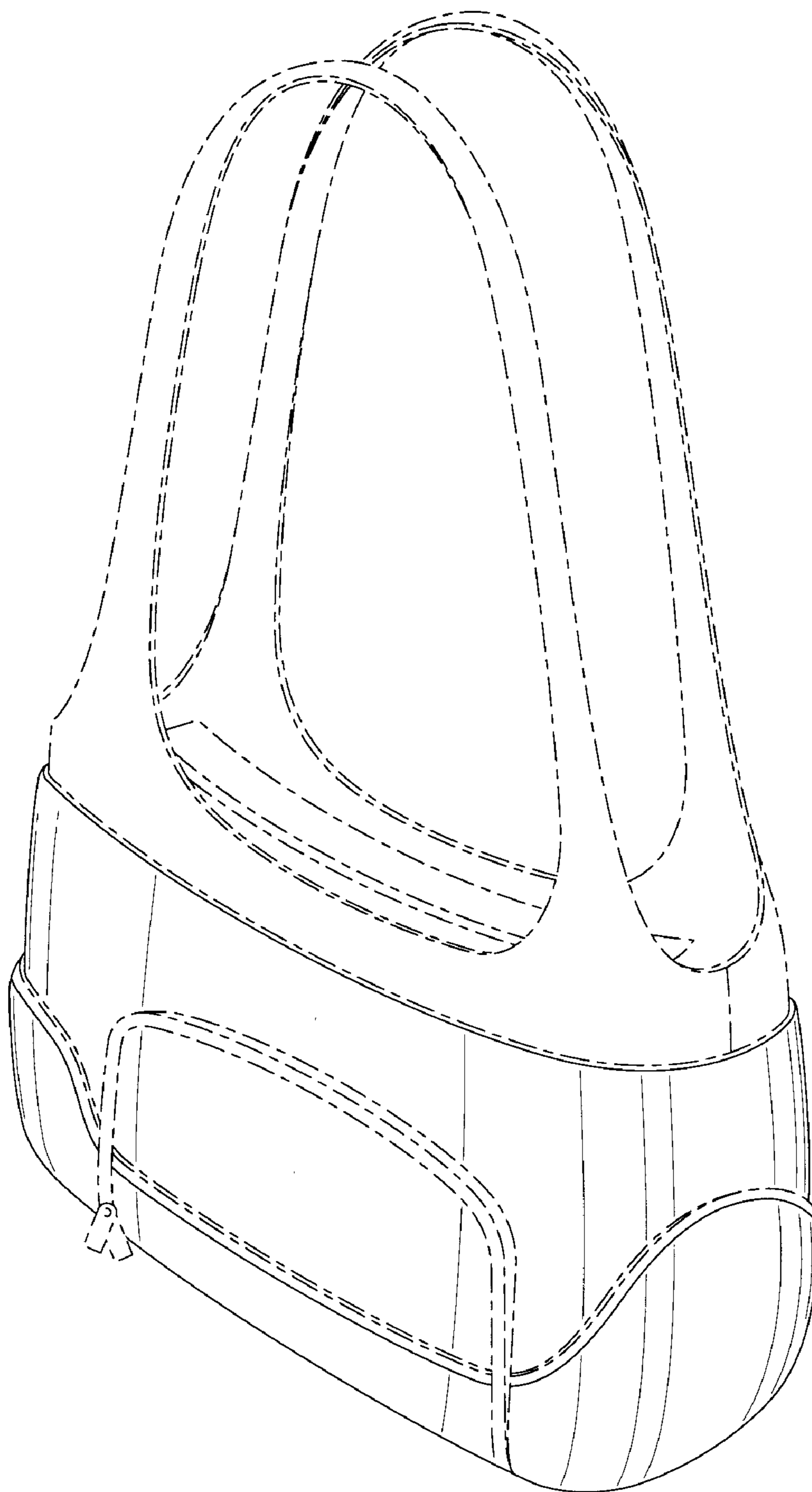


FIG. 8

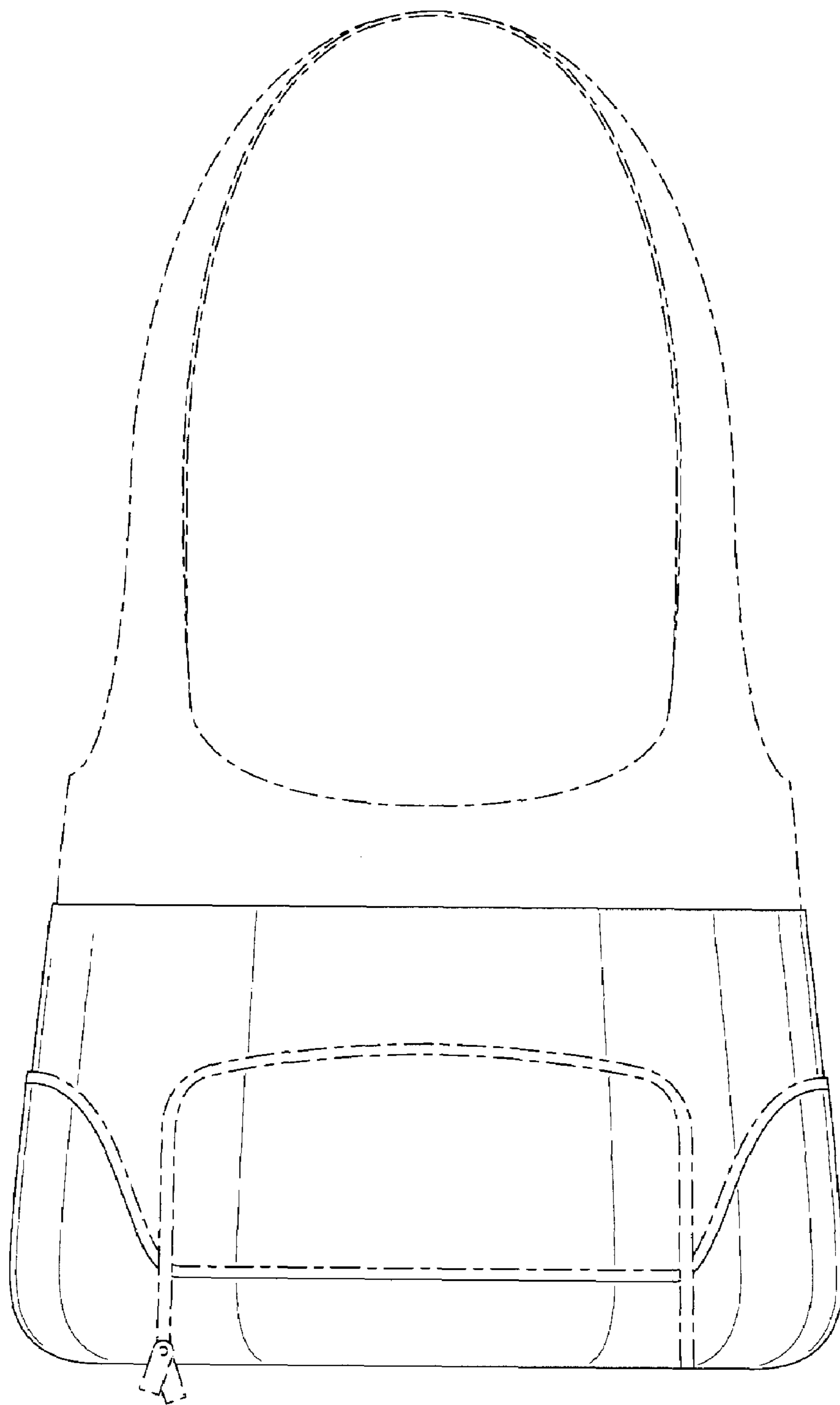


FIG. 9

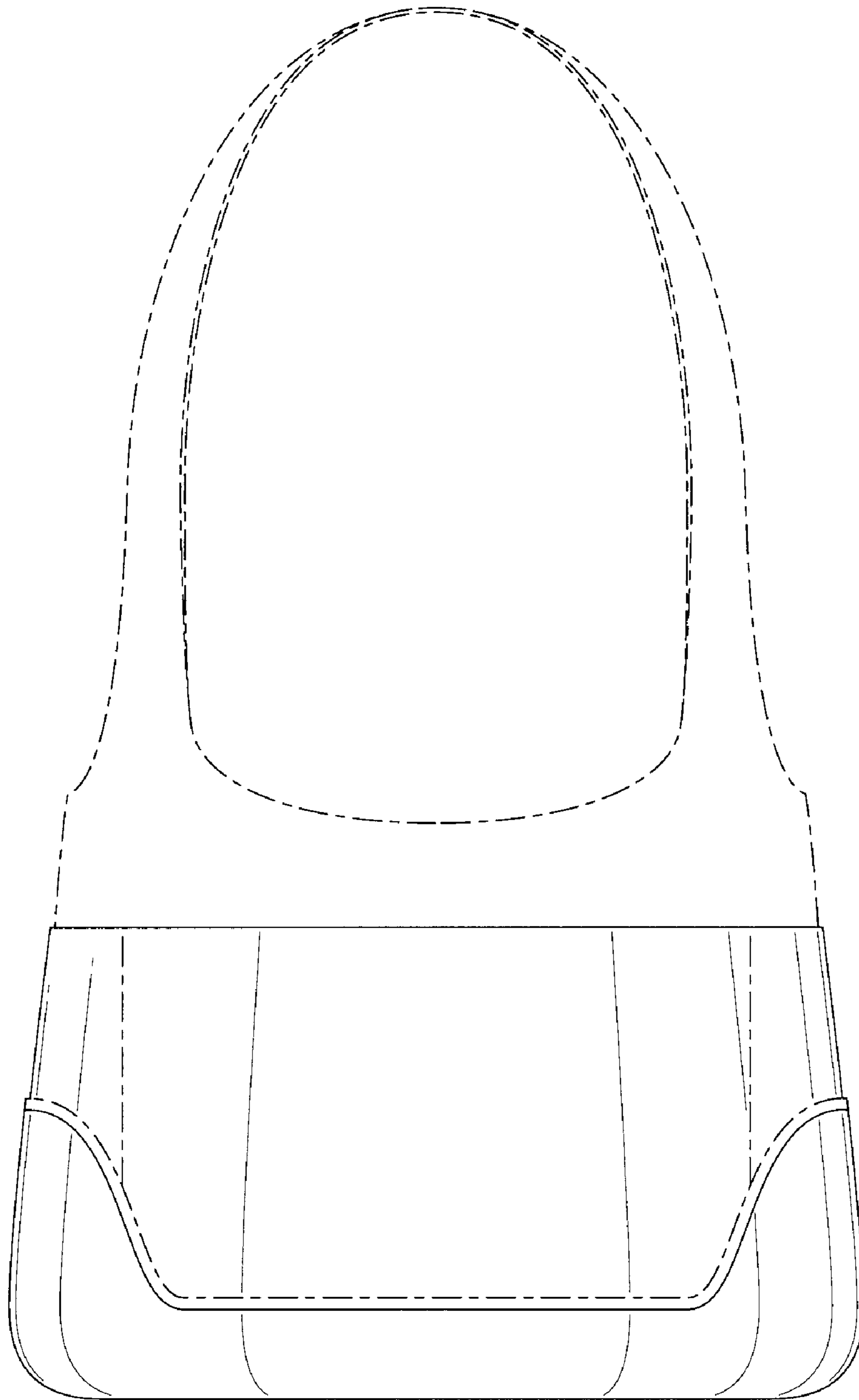


FIG. 10

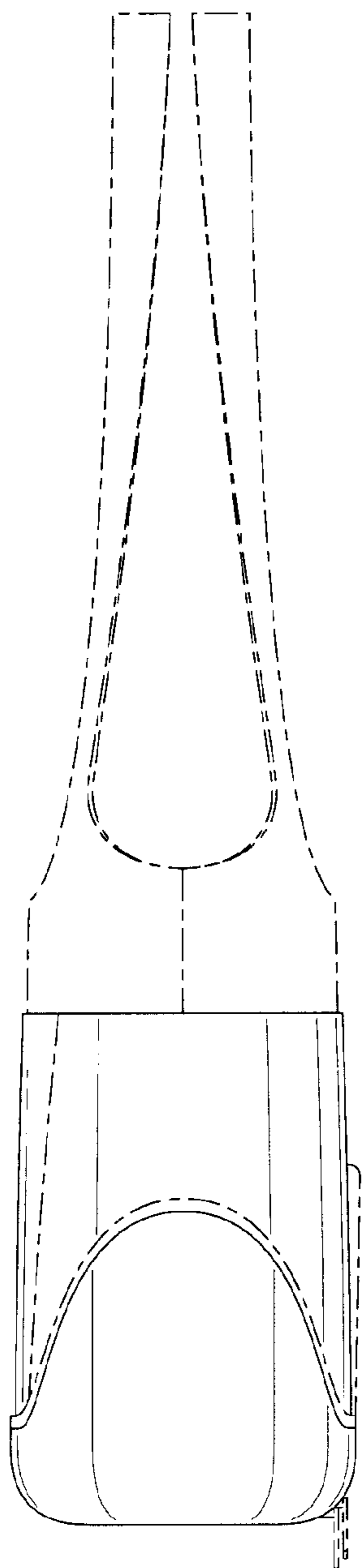


FIG. 11

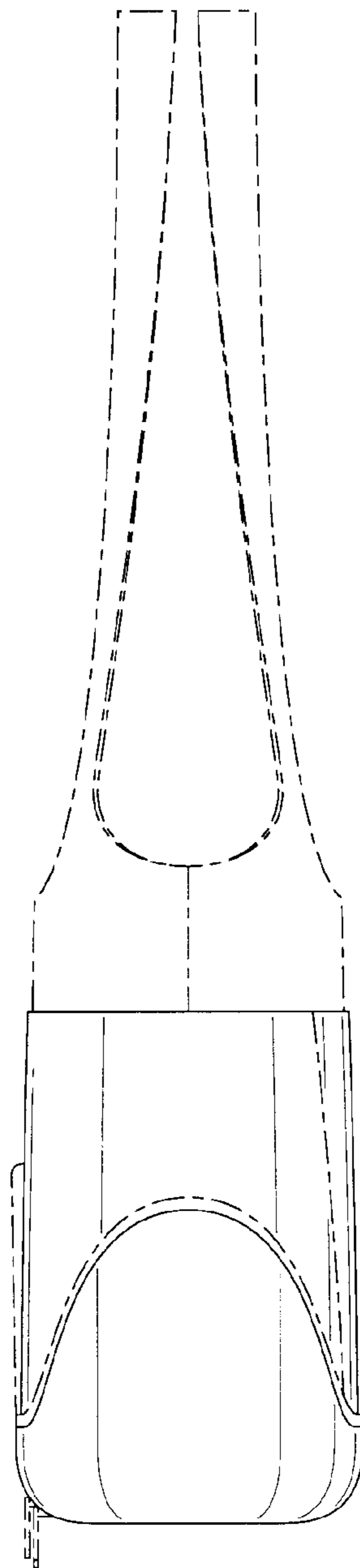


FIG. 12

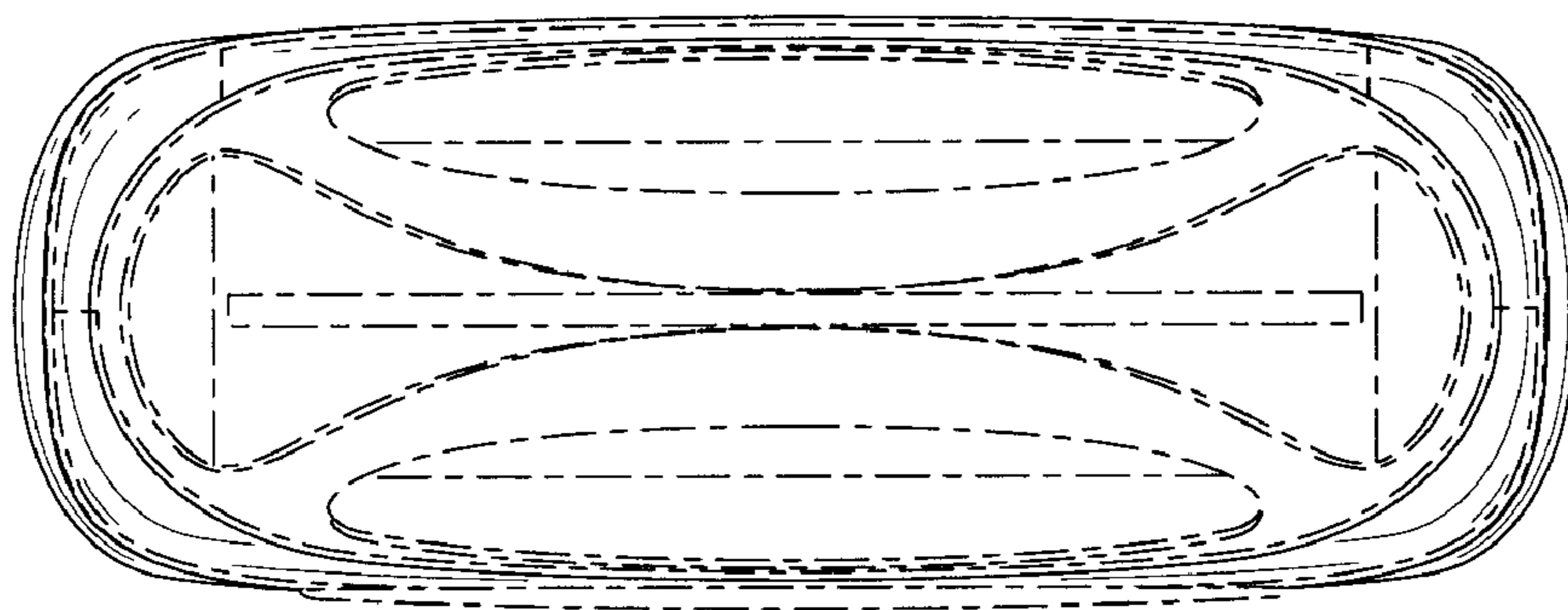


FIG. 13

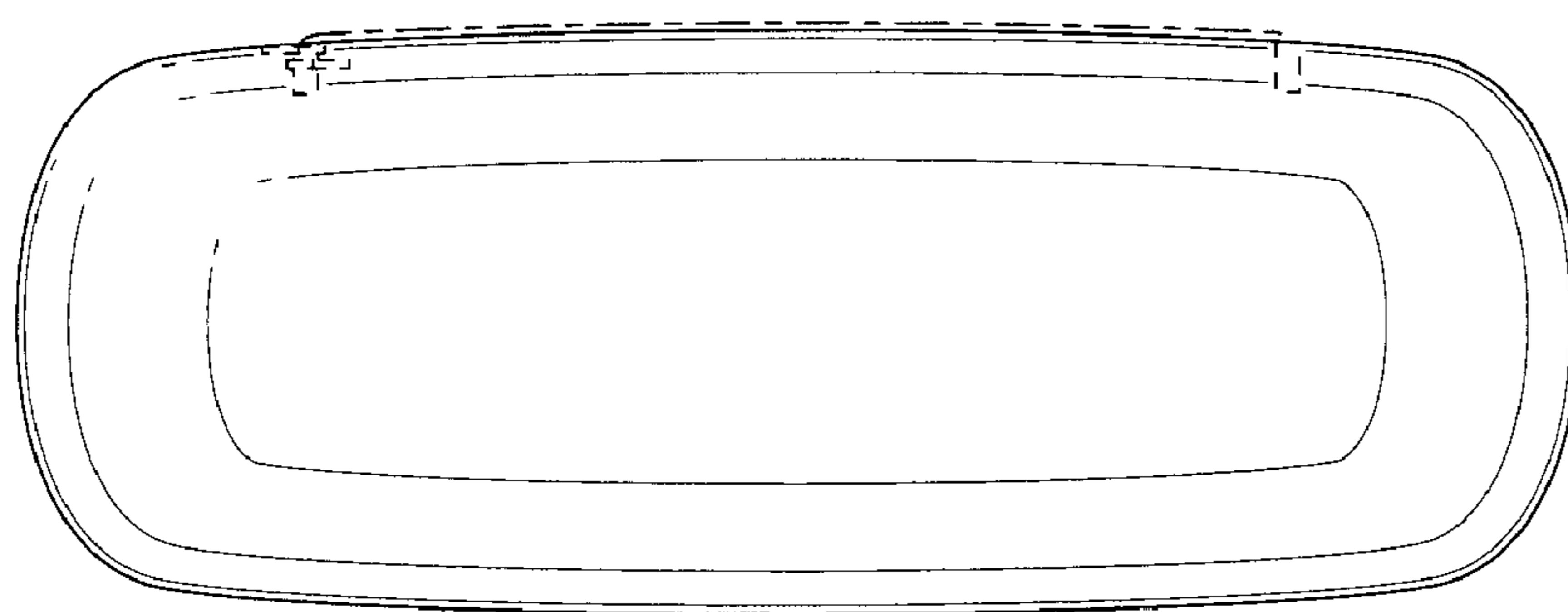


FIG. 14

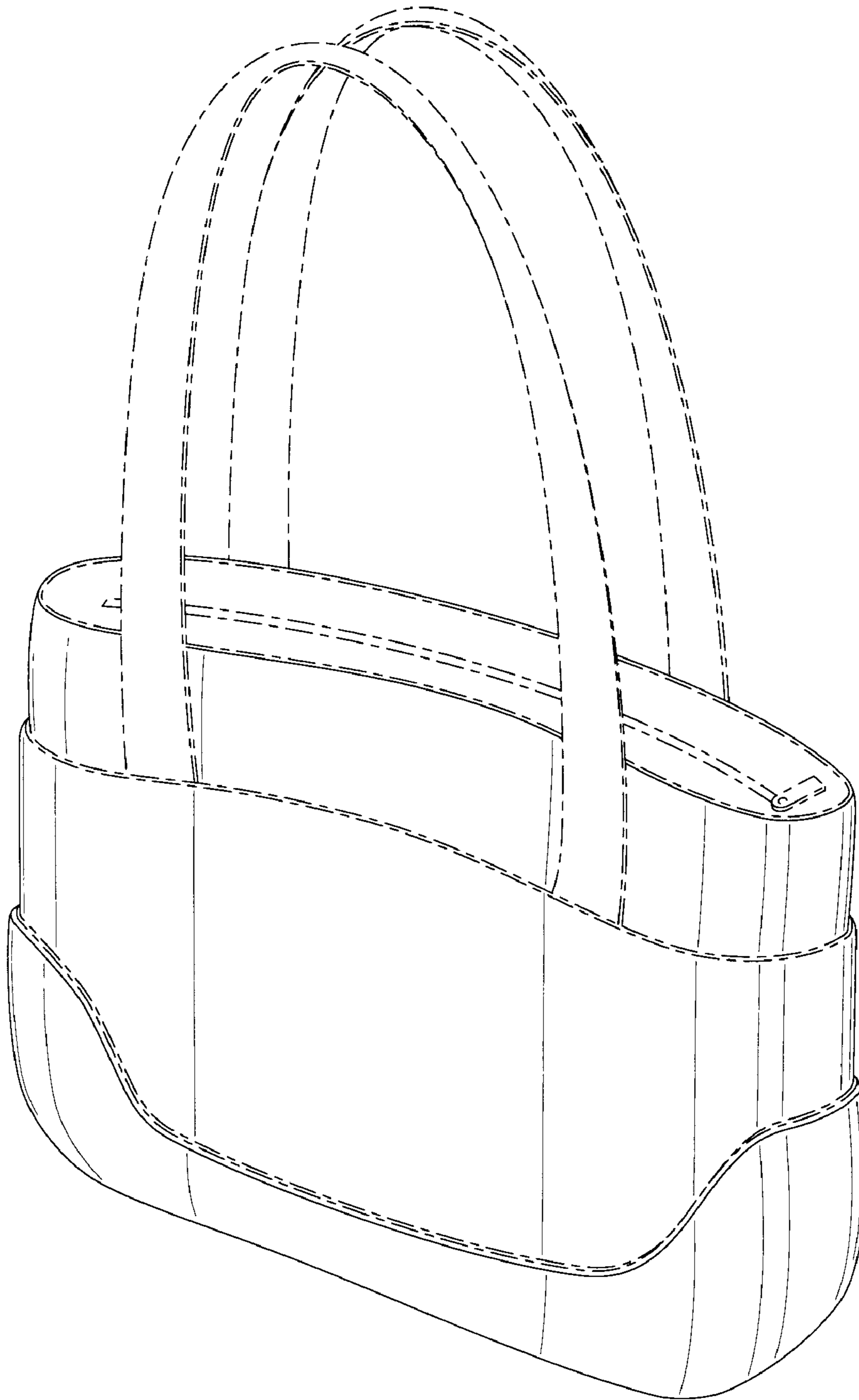


FIG. 15

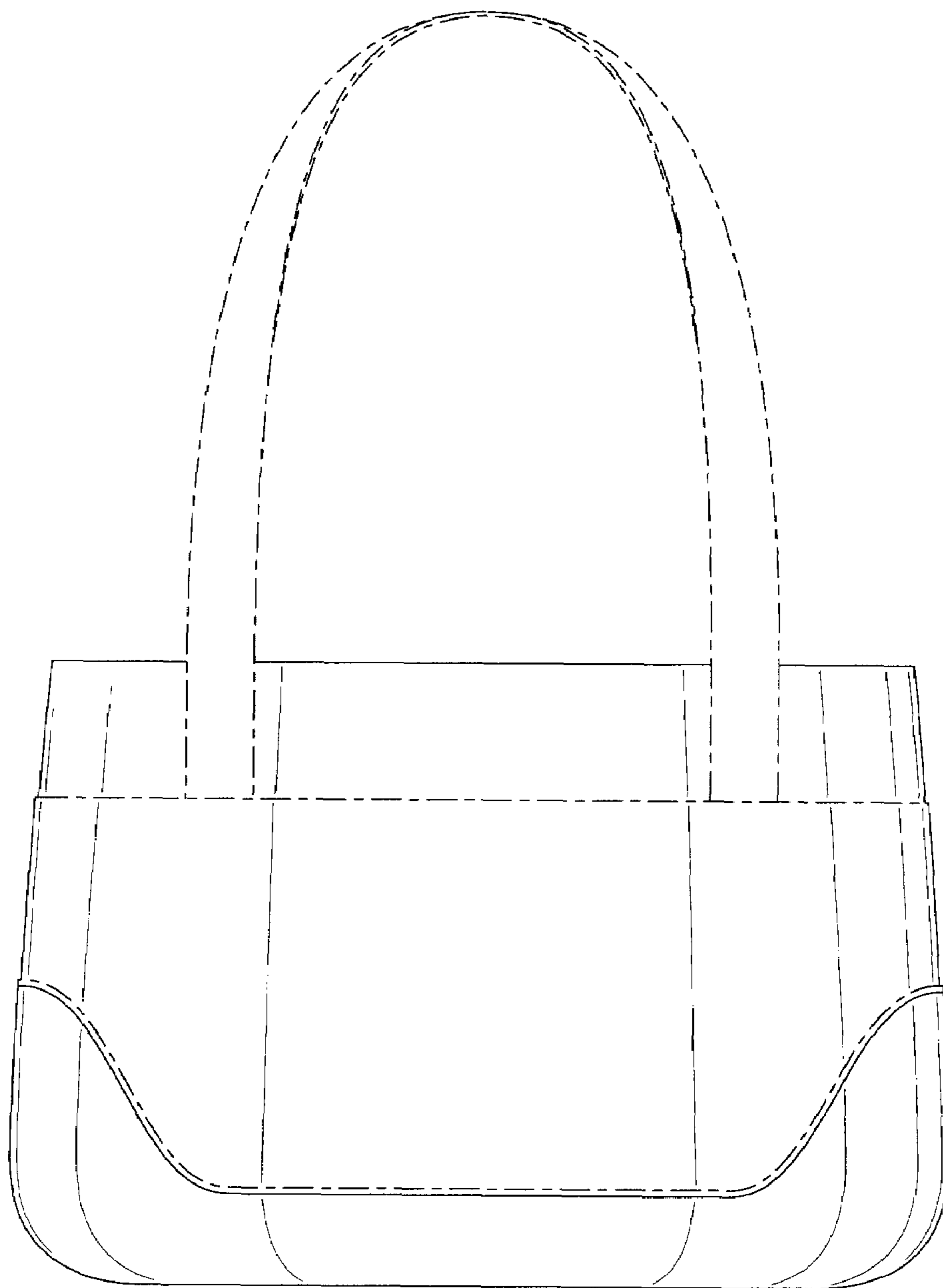


FIG. 16

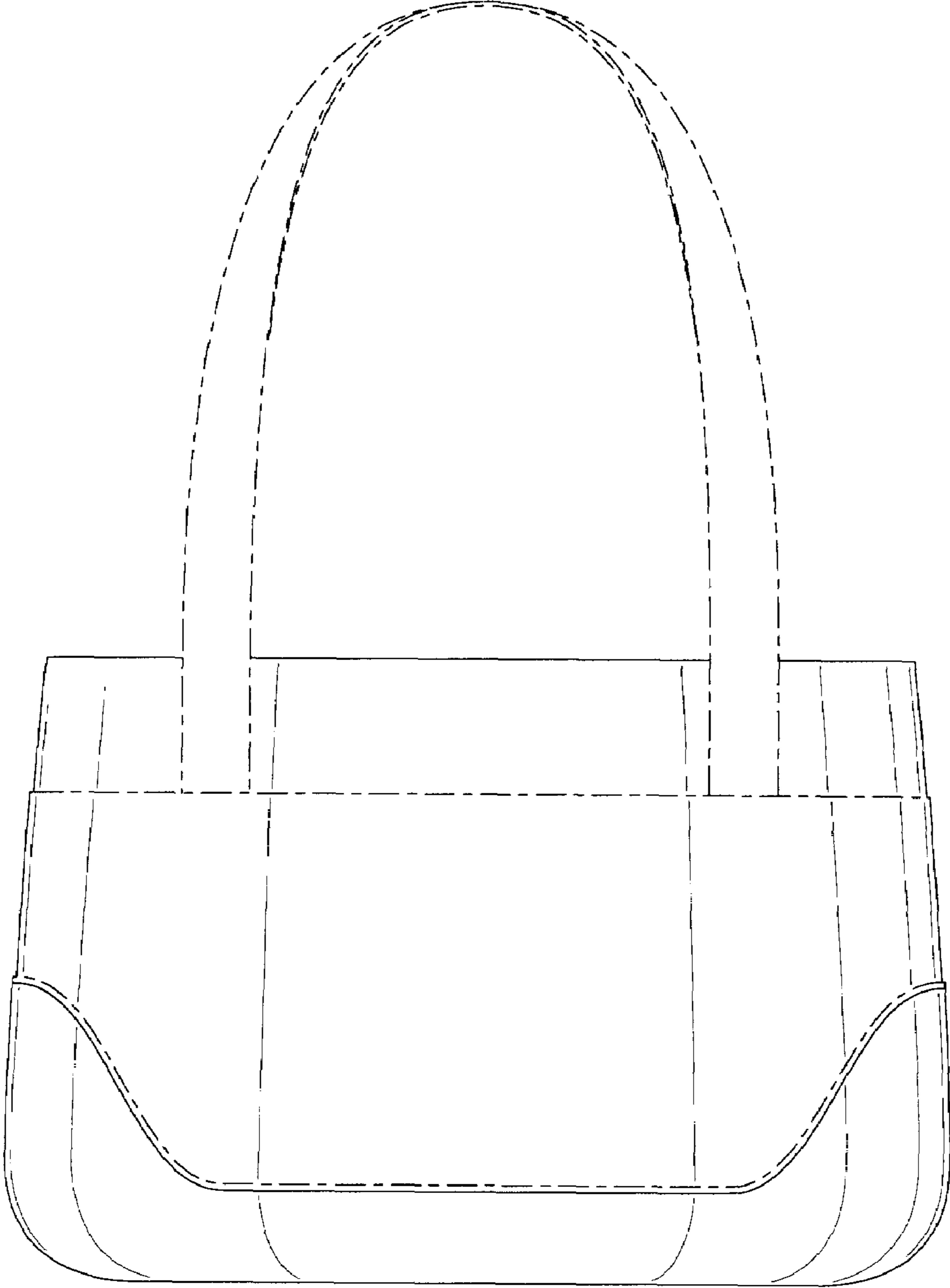


FIG. 17

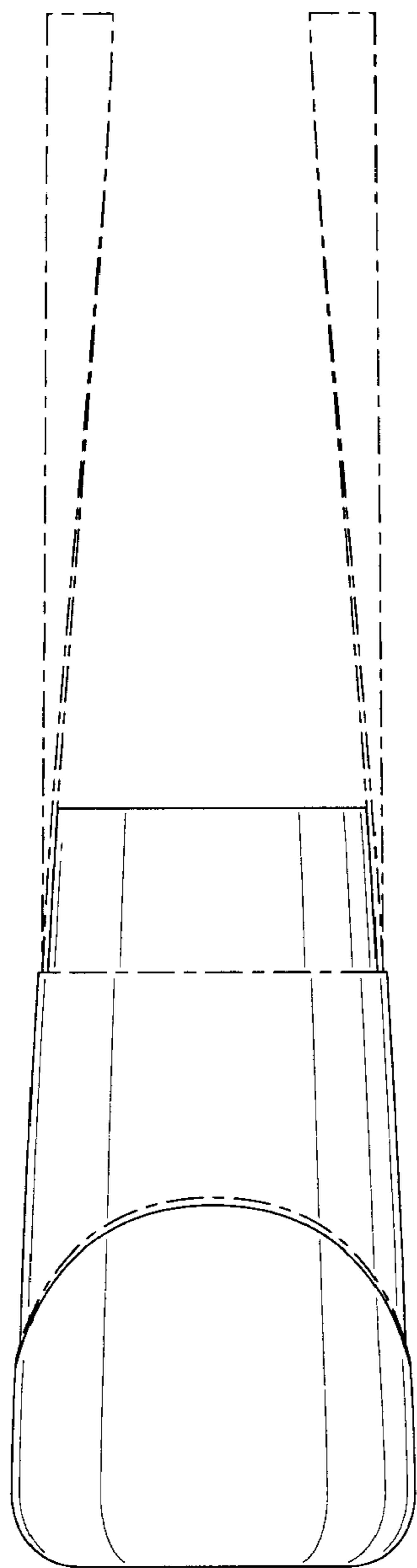


FIG. 18

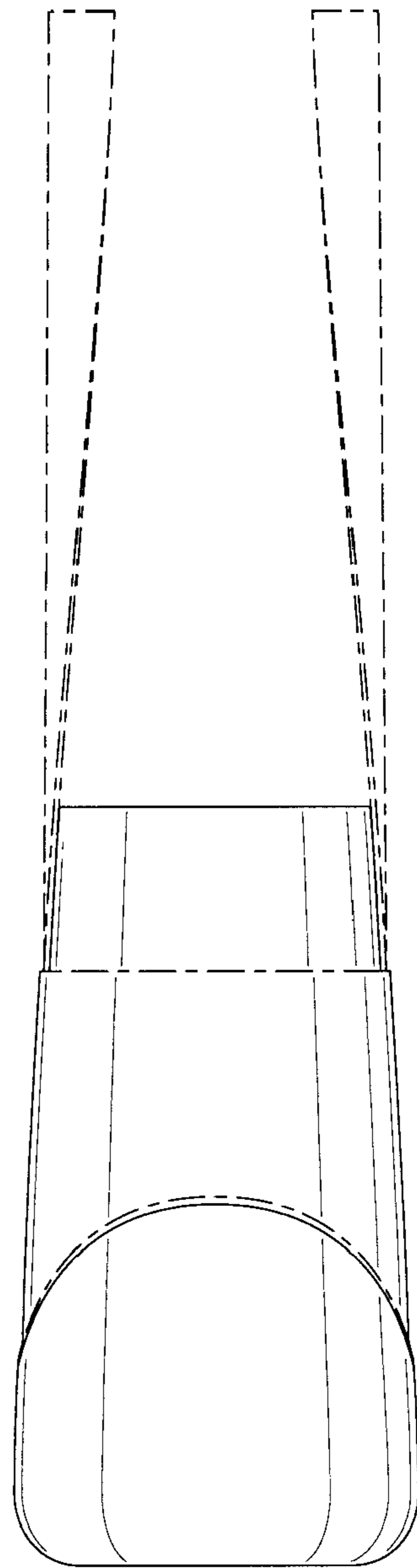


FIG. 19

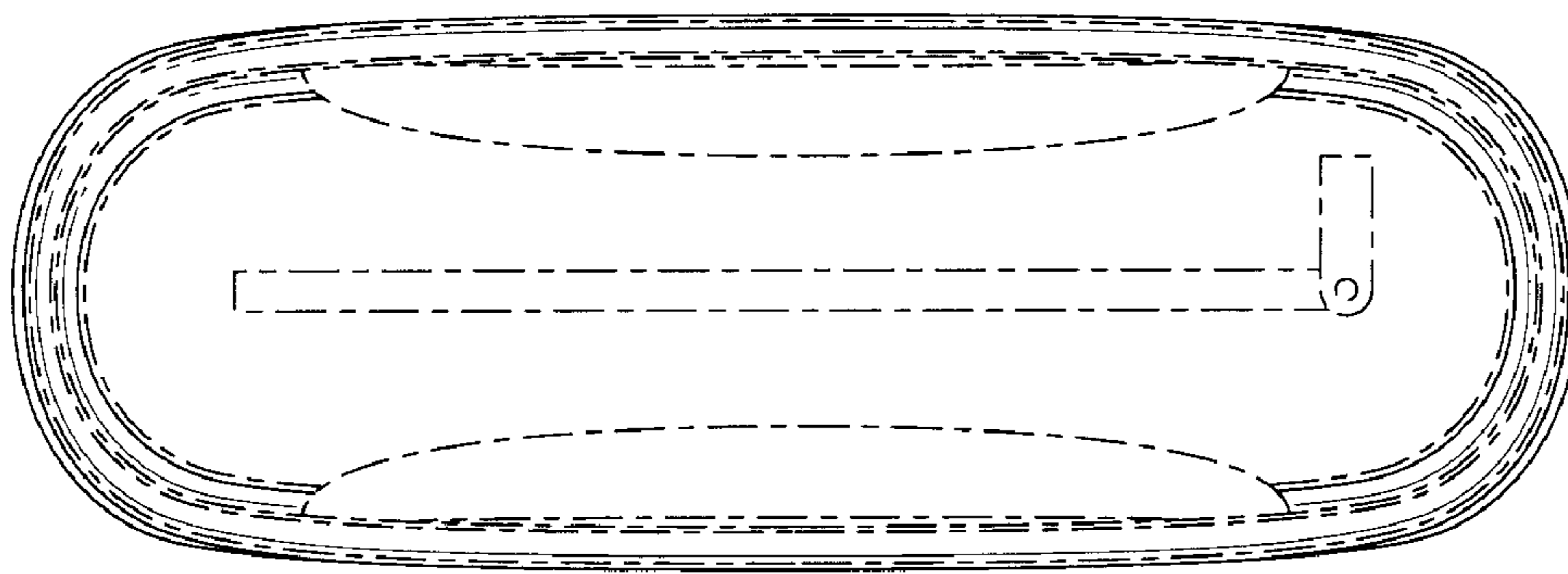


FIG. 20

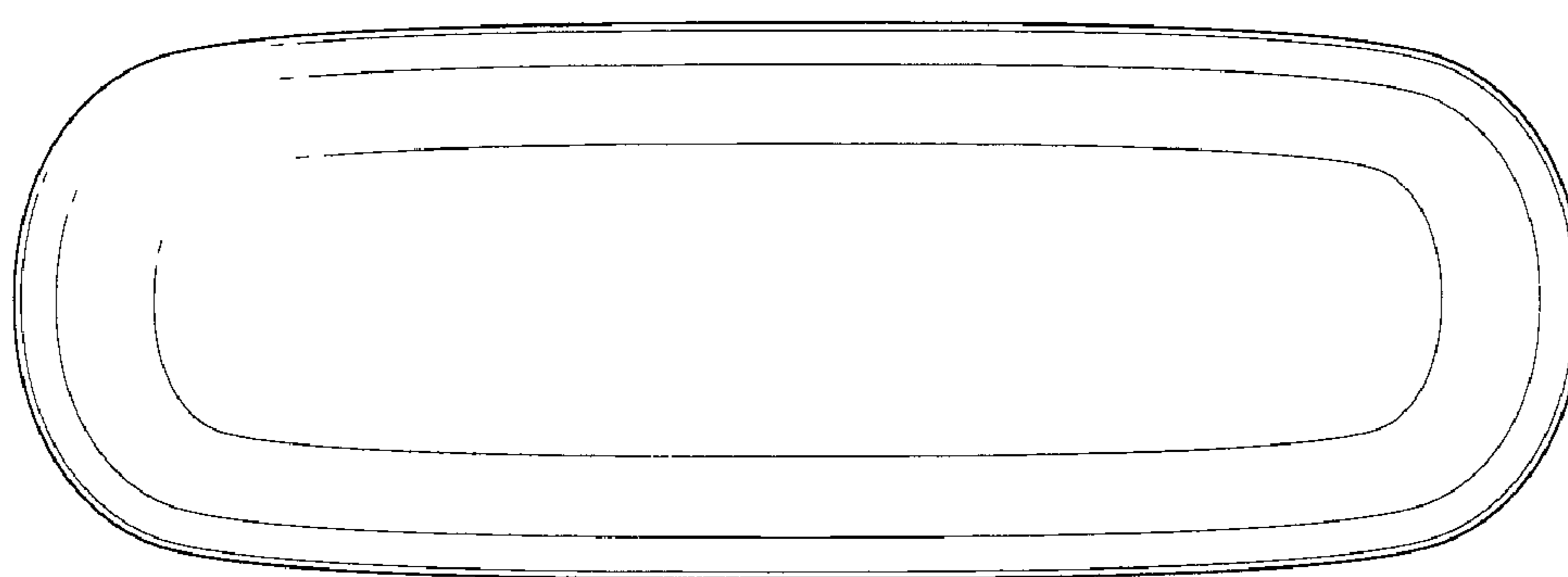


FIG. 21