



US00D587894S

(12) **United States Design Patent**
Wainwright

(10) **Patent No.:** **US D587,894 S**
(45) **Date of Patent:** **** Mar. 10, 2009**

(54) **CANE TIP**

(75) Inventor: **David Brian Wainwright**, 1205 S. Lake Dr., Lantana, FL (US) 33462

(73) Assignee: **David Brian Wainwright**, Lantana, FL (US)

(**) Term: **14 Years**

(21) Appl. No.: **29/300,976**

(22) Filed: **Jun. 6, 2008**

Related U.S. Application Data

(63) Continuation-in-part of application No. 29/290,006, filed on Oct. 11, 2007, now abandoned.

(51) **LOC (9) Cl.** **03-03**

(52) **U.S. Cl.** **D3/10**

(58) **Field of Classification Search** D3/5-17;
D12/128, 130, 131, 133; D6/495; 135/65,
135/66, 68, 71-73, 76, 77, 82; 248/519,
248/523, 539

See application file for complete search history.

(56) **References Cited**

U.S. PATENT DOCUMENTS

D81,900 S	8/1930	Wesley
2,910,995 A	11/1959	Candido
3,251,372 A	5/1966	Smith
4,630,626 A	12/1986	Urban
5,307,828 A	5/1994	Gardner et al.
D362,336 S	9/1995	Weaver

5,711,335 A	1/1998	Carpinella	
5,826,606 A	10/1998	Davenport	
D412,615 S *	8/1999	Brightbill et al. D3/17
D417,070 S	11/1999	Wylar	
6,003,533 A	12/1999	Midcap	
6,055,998 A	5/2000	Bader	
6,131,593 A	10/2000	Greene et al.	
6,527,001 B1	3/2003	Saldan et al.	
6,557,188 B1 *	5/2003	Peterson 135/66
D476,803 S	7/2003	Margolis	
6,877,520 B2	4/2005	Morris	
D511,889 S	11/2005	Cockrell	
D570,094 S *	6/2008	Wainwright D3/17
D576,402 S *	9/2008	White D3/17
2006/0124163 A1	6/2006	Tu	

* cited by examiner

Primary Examiner—T. Chase Nelson
Assistant Examiner—Anhdao Doan

(57) **CLAIM**

The ornamental design for a cane tip, as shown and described.

DESCRIPTION

FIG. 1 is a top perspective view of a cane tip showing my new design;

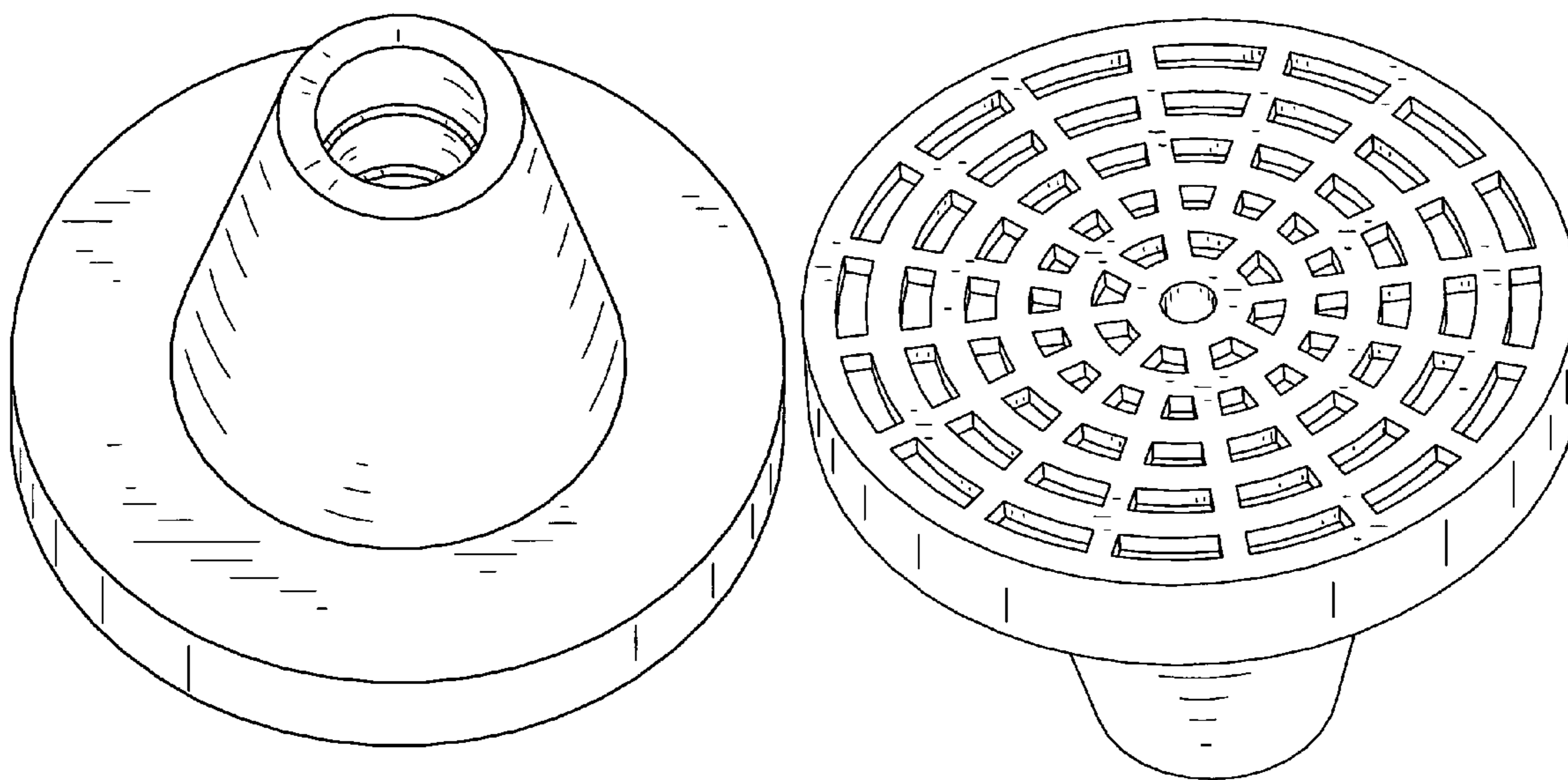
FIG. 2 is a front elevational view thereof; the rear and side views are identical to the front view;

FIG. 3 is a top plan view thereof;

FIG. 4 is a bottom plan view thereof; and,

FIG. 5 is a bottom perspective view thereof.

1 Claim, 3 Drawing Sheets



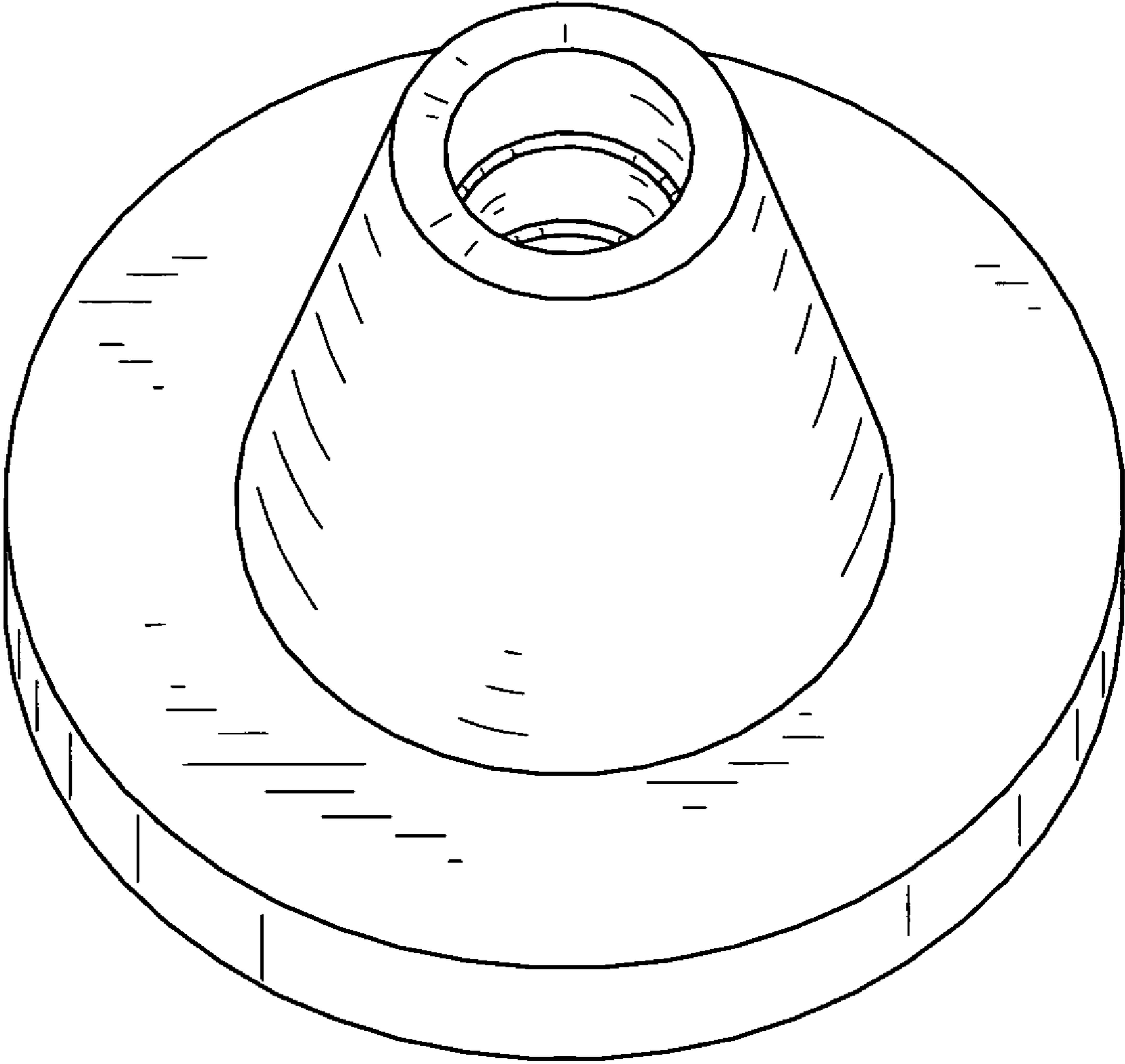


FIG. 1

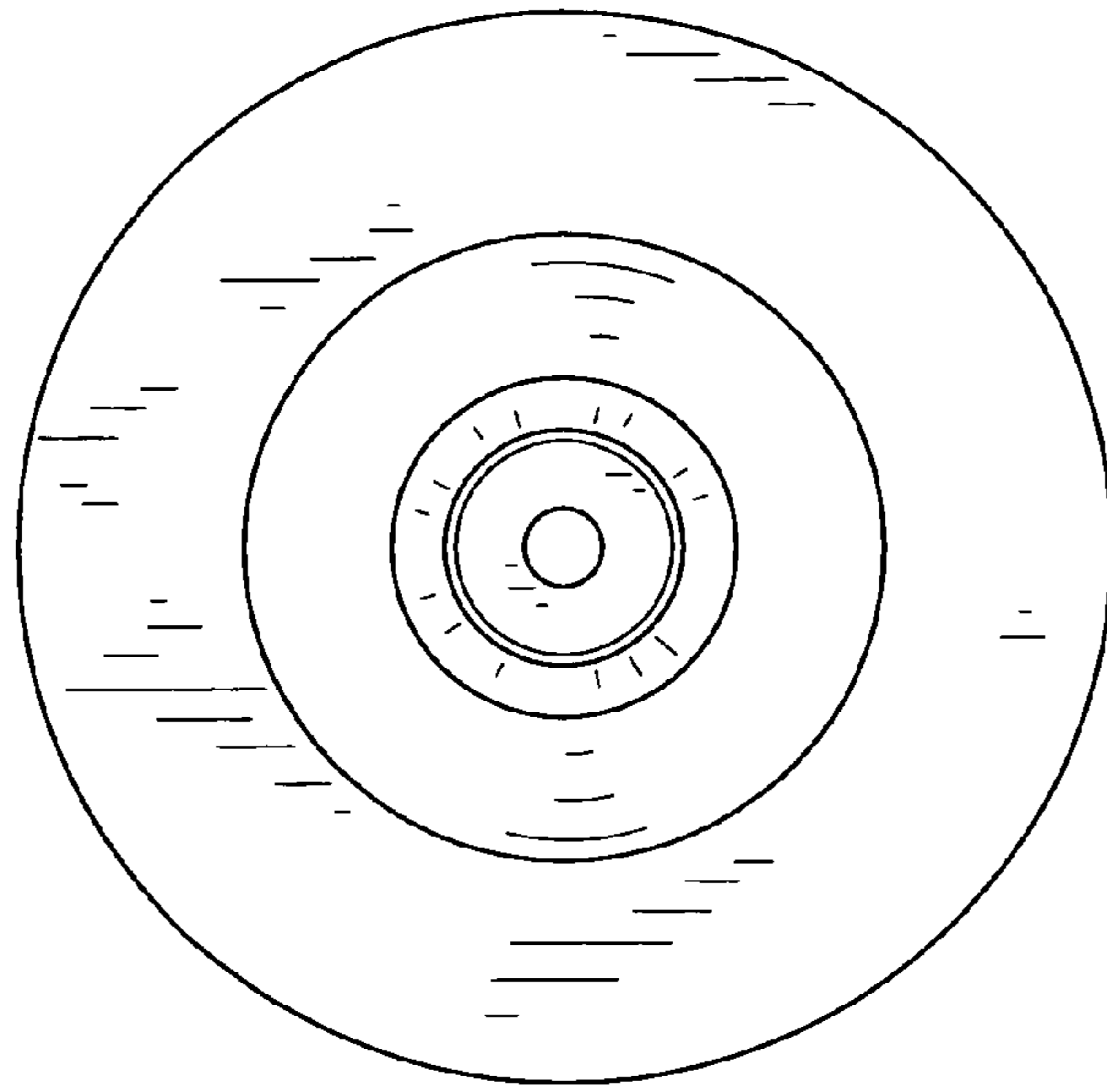


FIG.3

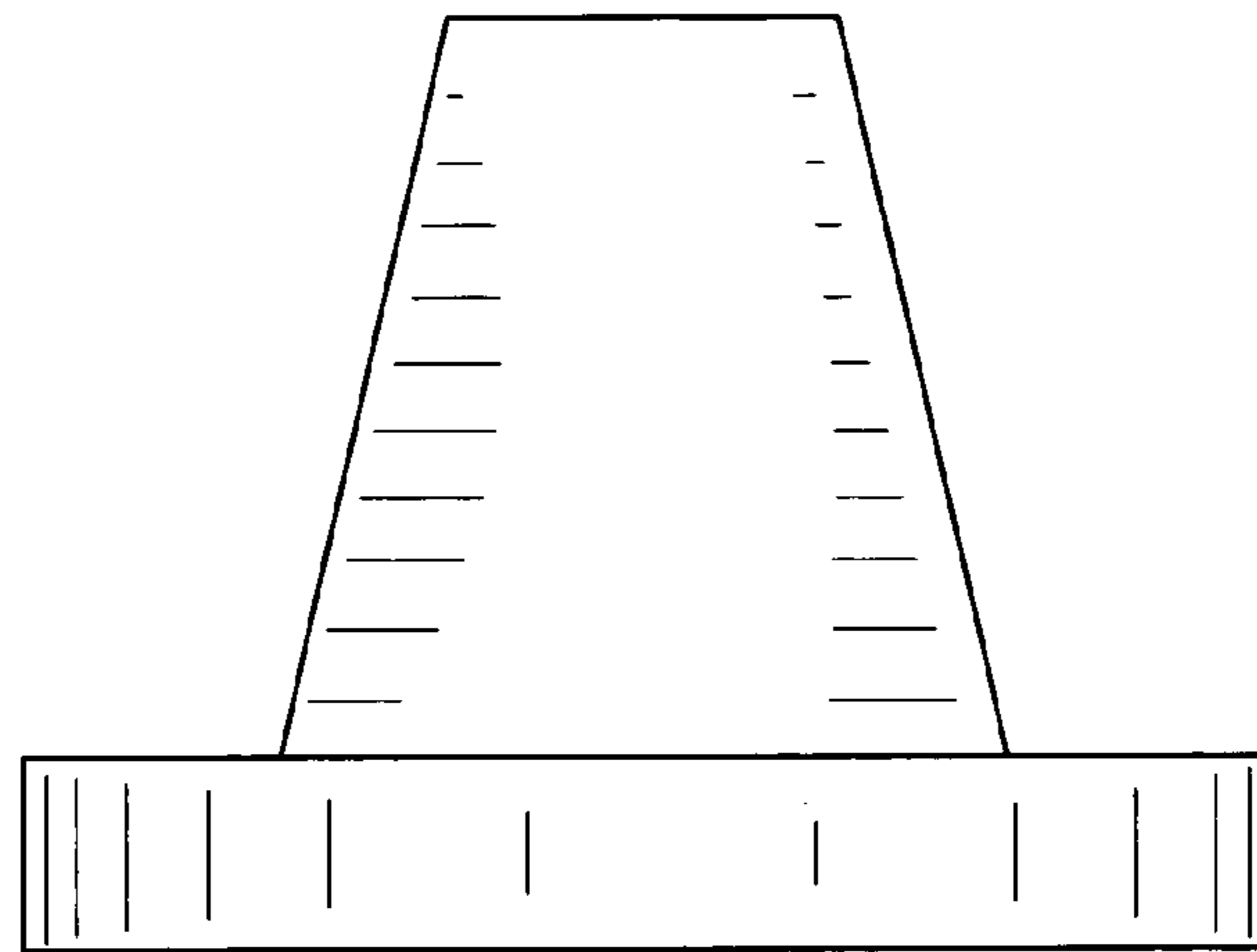


FIG.2

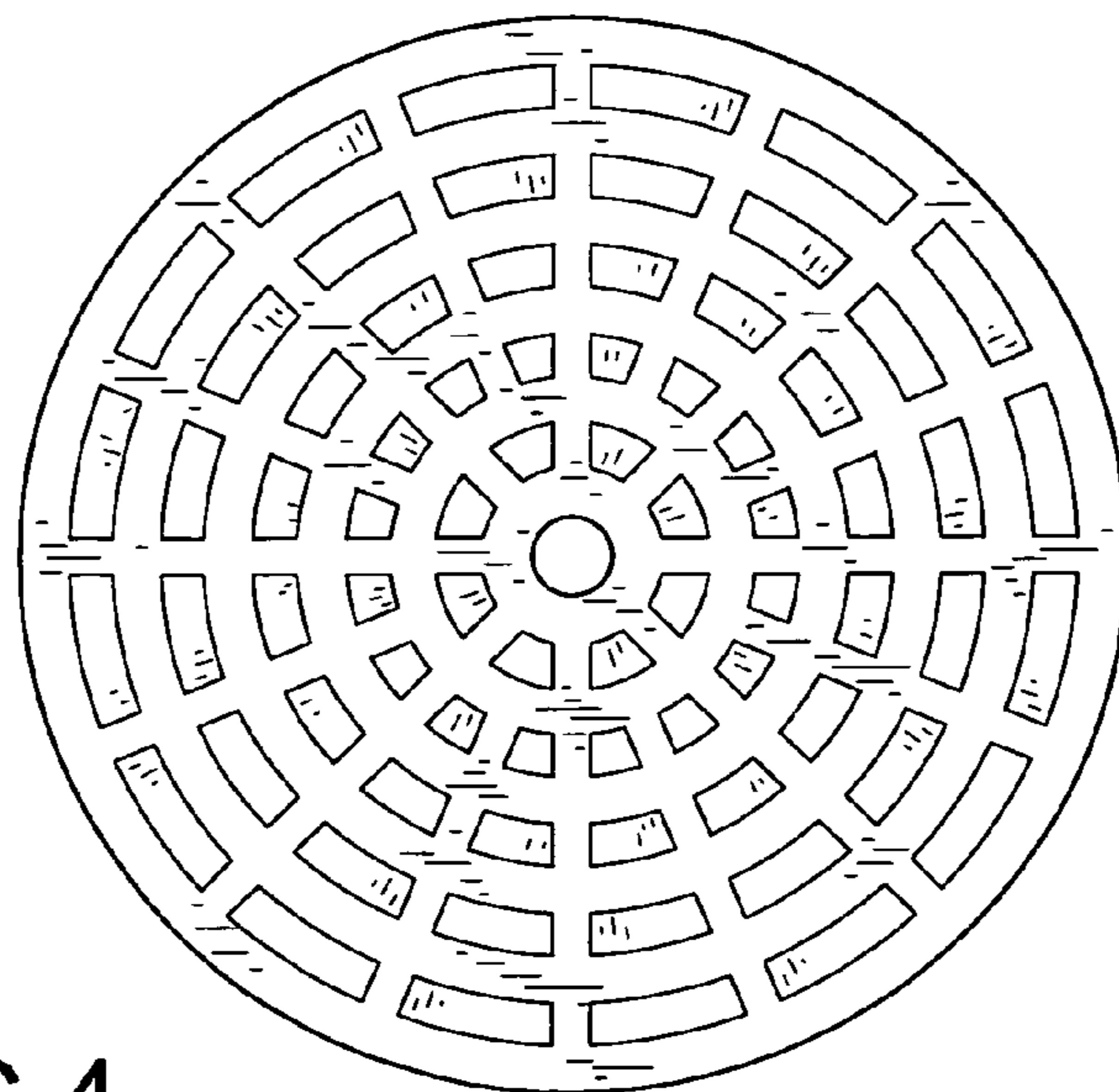


FIG.4

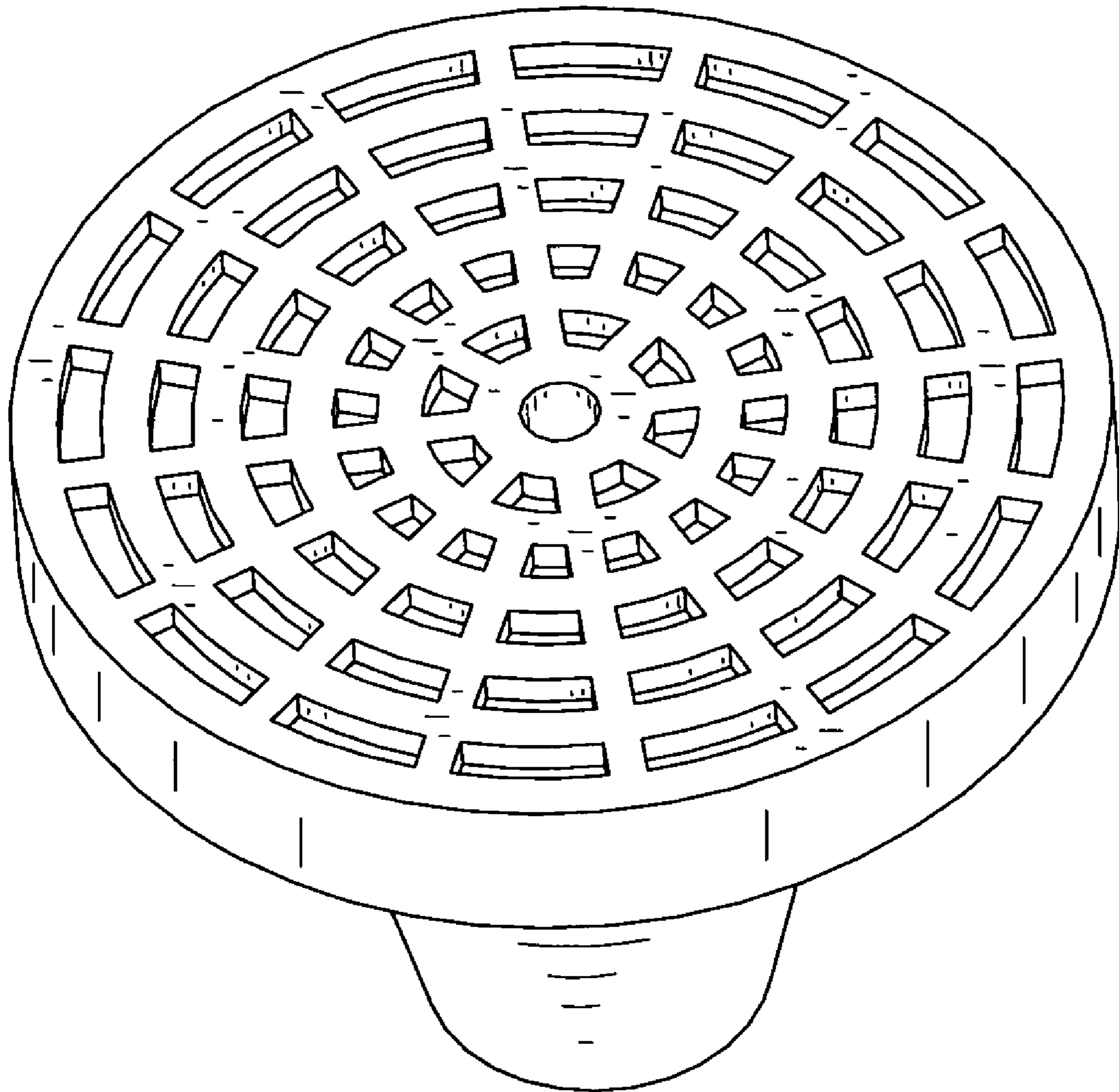


FIG. 5