



US00D587875S

(12) **United States Design Patent**
Hodge

(10) **Patent No.:** **US D587,875 S**
(45) **Date of Patent:** **** Mar. 3, 2009**

(54) **HANDLE FOR A WHEELED CONTAINER**

(75) Inventor: **Anthony A. Hodge**, San Diego, CA
(US)

(73) Assignee: **Hodge Products, Inc.**, El Cajon, CA
(US)

(**) Term: **14 Years**

(21) Appl. No.: **29/284,452**

(22) Filed: **Sep. 7, 2007**

(51) **LOC (9) Cl.** **09-09**

(52) **U.S. Cl.** **D34/10**

(58) **Field of Classification Search** D34/10,
D34/11, 27; D8/373, 363, 370, 372, 303,
D8/DIG. 1; D12/178; 248/99, 303; 220/908,
220/760, 773

See application file for complete search history.

(56) **References Cited**

U.S. PATENT DOCUMENTS

D32,640	S	*	5/1900	Coleman	D8/363
814,563	A	*	3/1906	Pond	220/476
978,441	A	*	12/1910	Fairman et al.	248/99
1,174,136	A	*	3/1916	Filger	220/264
1,205,064	A	*	11/1916	Varian	220/628
1,238,993	A	*	9/1917	Edwards	220/825
D169,032	S	*	3/1953	Croft, Jr.	D34/8
2,959,388	A	*	11/1960	Fogle	248/230.9
D199,710	S	*	12/1964	Nolin et al.	D34/1.1
3,195,731	A	*	7/1965	Bomar, Jr.	211/85.1
3,391,698	A	*	7/1968	Wiles	220/500
4,418,835	A	*	12/1983	Watts	220/495.1

D291,134	S	*	7/1987	DeMars	D34/5
D296,256	S	*	6/1988	Bengtson et al.	D34/6
D300,804	S	*	4/1989	Myers	D8/373
D317,858	S	*	7/1991	Hoskinson et al.	D8/370
D493,689	S	*	8/2004	Vito	D8/331
2004/0232288	A1	*	11/2004	Kung	248/99

* cited by examiner

Primary Examiner—Cynthia E Ramirez

(74) *Attorney, Agent, or Firm*—Procopio, Cory, Hargreaves & Savitch LLP

(57) **CLAIM**

The ornamental design for a handle for a wheeled container, as shown and described.

DESCRIPTION

FIG. 1 is a front perspective view of a handle for a wheeled container with the ends in a bent position;

FIG. 2 is a side elevation view with the handle ends in the un-bent position;

FIG. 3 is a first end elevation view of my design, the opposite being identical to the first end;

FIG. 4 is a right side elevation view thereof;

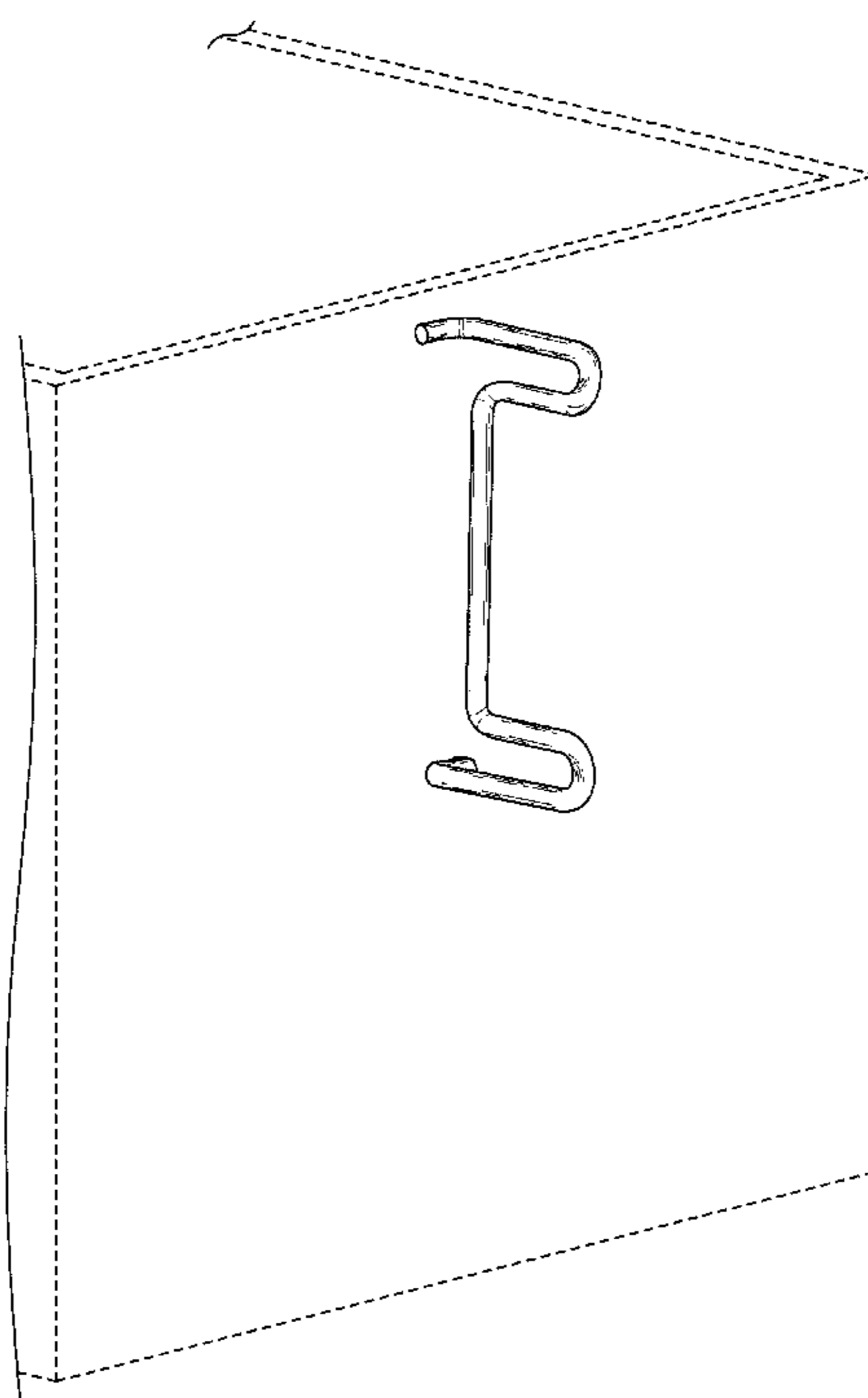
FIG. 5 is a left side elevation view thereof;

FIG. 6 is a top plan view thereof; and,

FIG. 7 is a bottom plan view thereof.

The broken line showing of a container in FIGS. 1 and 2 is included for the purpose of illustrating environment and forms no part of the claimed design.

1 Claim, 4 Drawing Sheets



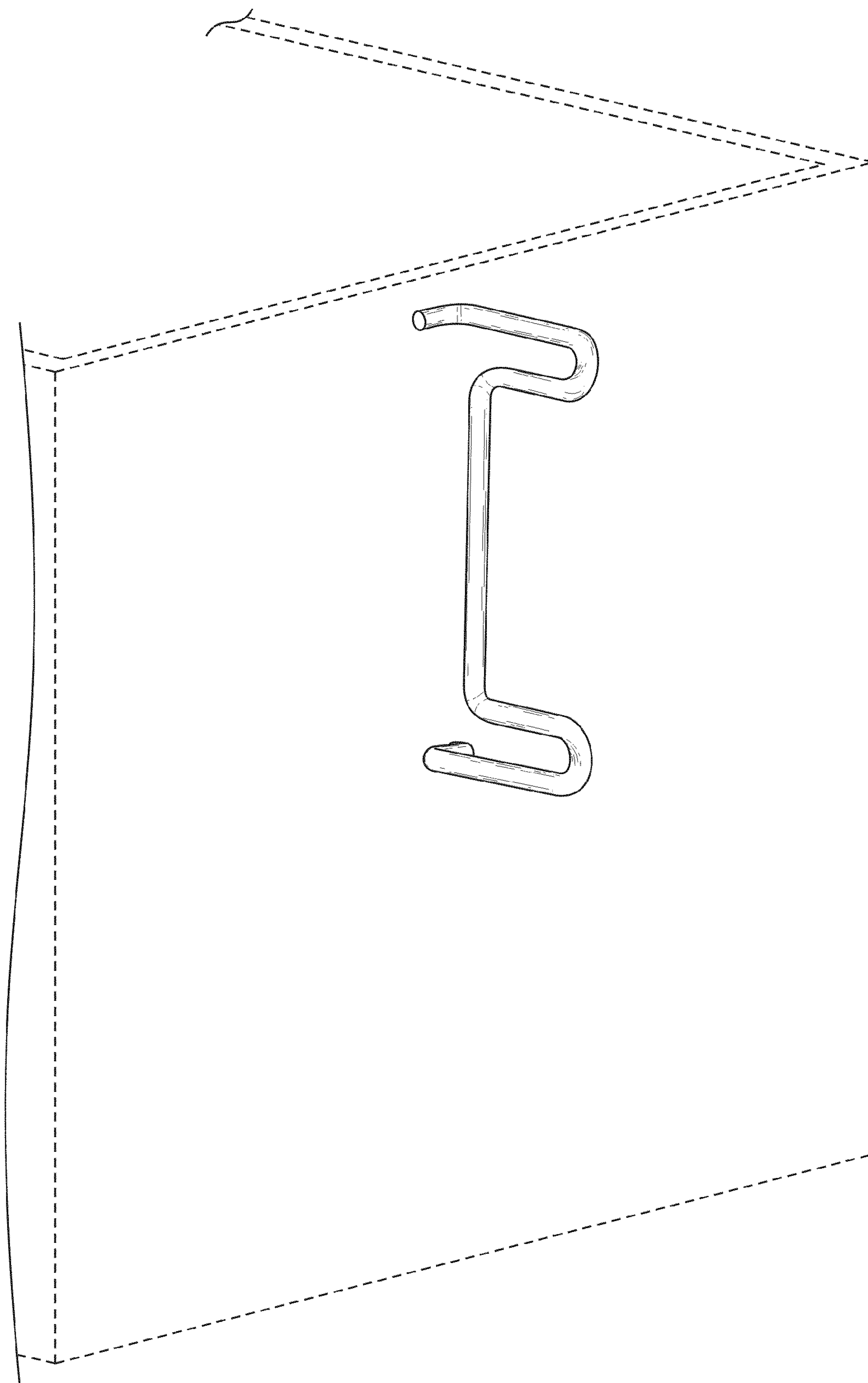


FIG. 1

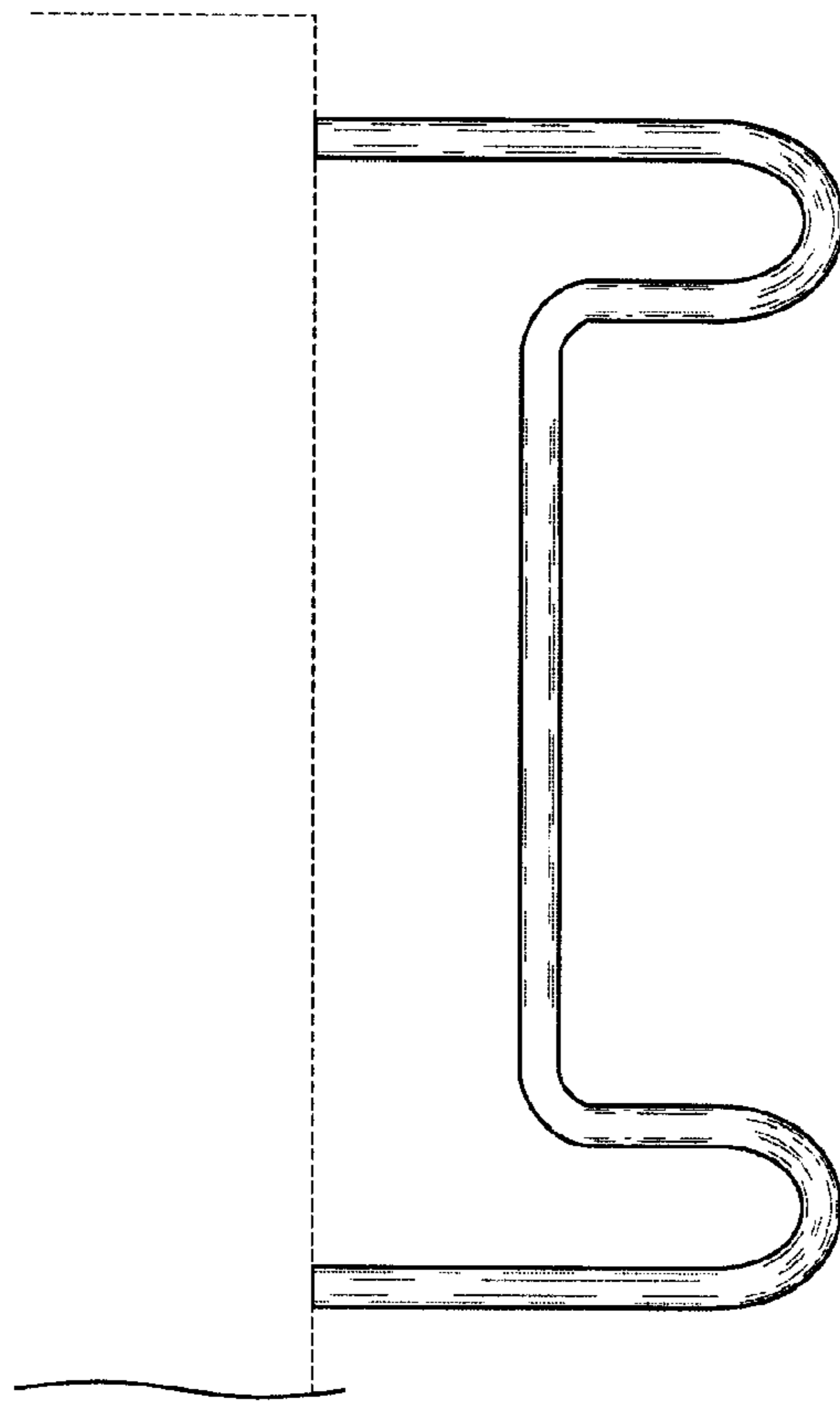


FIG. 2



FIG. 3

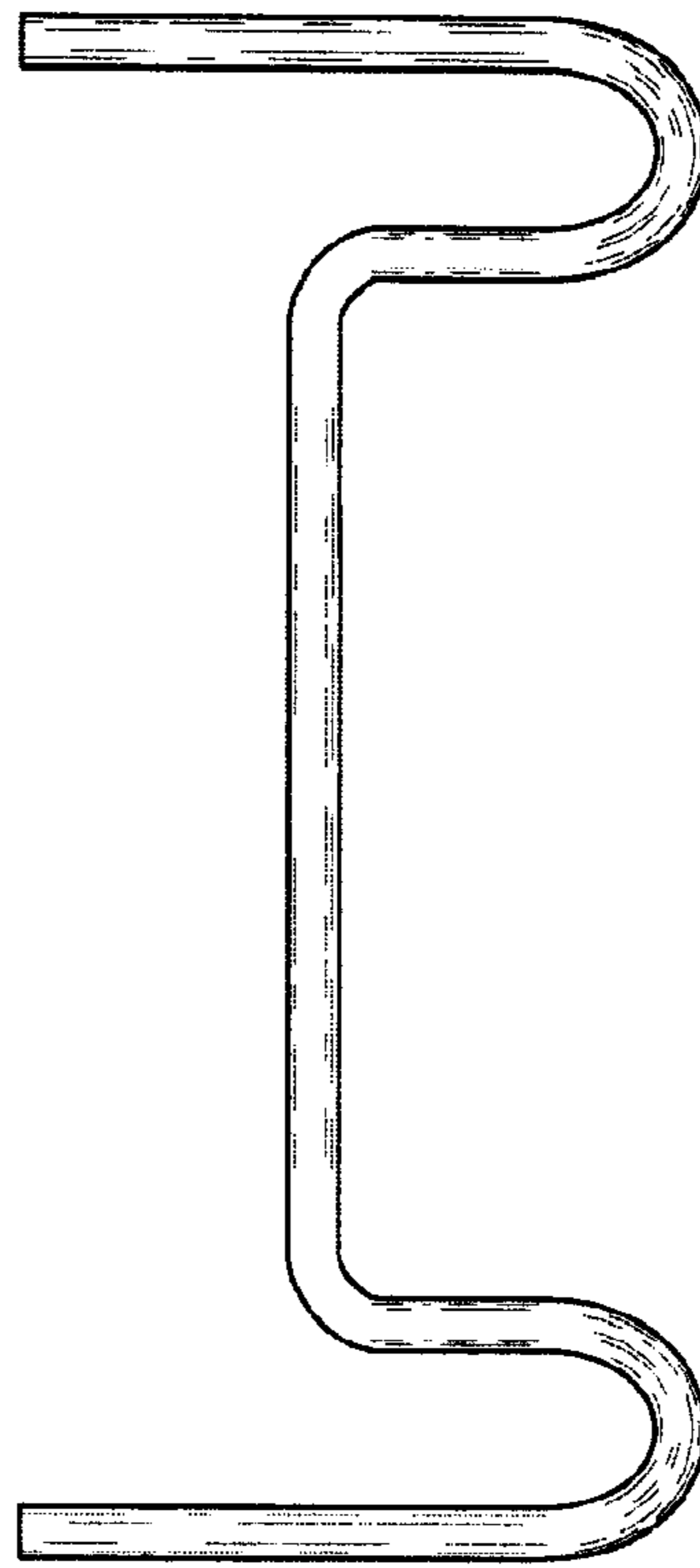


FIG. 4

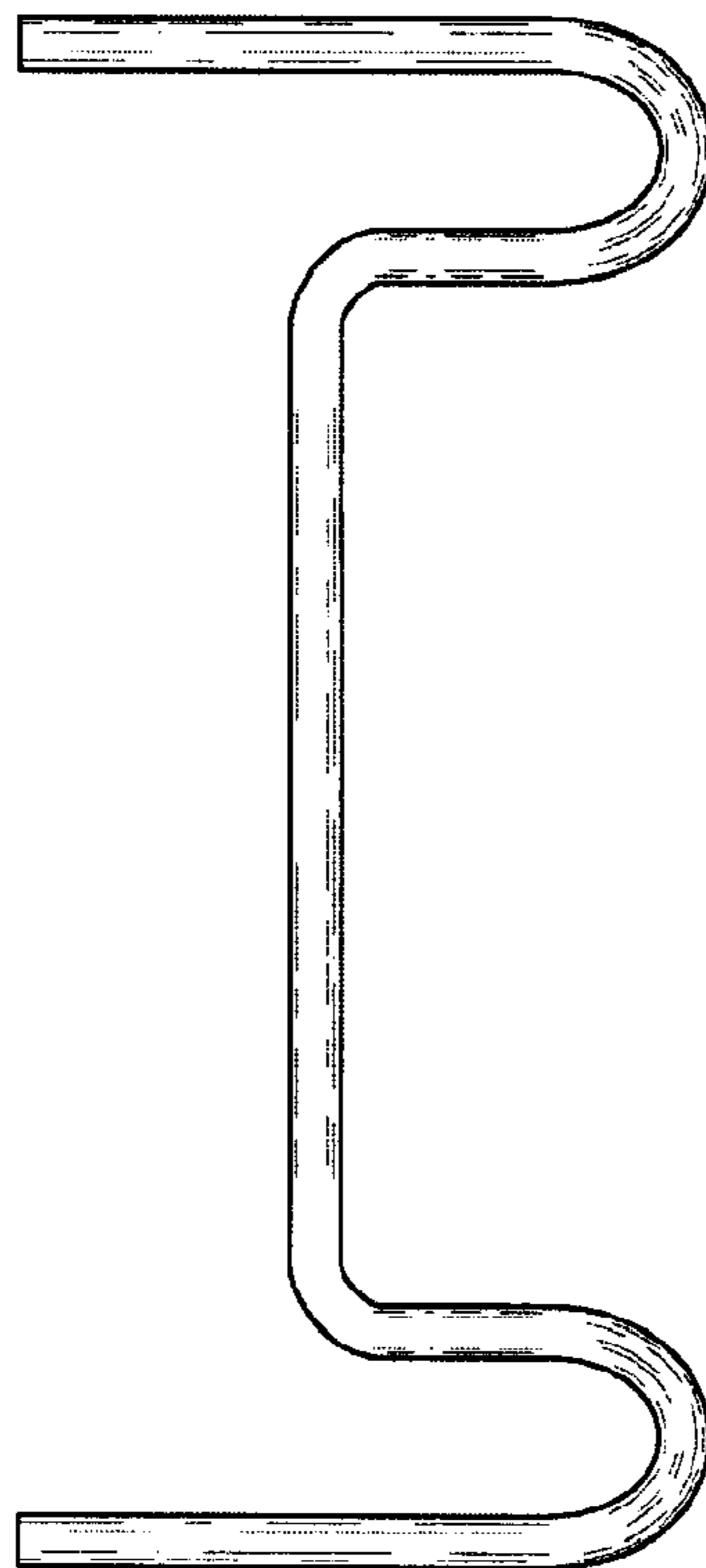


FIG. 5

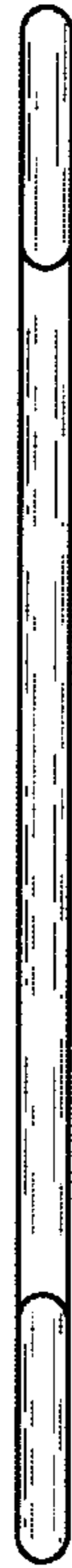


FIG. 6



FIG. 7