



US00D587874S

(12) **United States Design Patent**  
**Lin**

(10) **Patent No.:** **US D587,874 S**

(45) **Date of Patent:** **\*\* Mar. 3, 2009**

(54) **AUTOMATIC TRASH CAN**

(76) **Inventor:** **Cuiwen Lin**, 17037 Green Dr., City of Industry, CA (US) 91745

(\*\*) **Term:** **14 Years**

(21) **Appl. No.:** **29/294,938**

(22) **Filed:** **Feb. 4, 2008**

(51) **LOC (9) Cl.** ..... **09-09**

(52) **U.S. Cl.** ..... **D34/7**

(58) **Field of Classification Search** ..... D34/1-11;  
220/908-913, 262-264

See application file for complete search history.

(56) **References Cited**

**U.S. PATENT DOCUMENTS**

D329,929	S	*	9/1992	Knoedler et al.	.....	D32/37
D377,554	S	*	1/1997	Adriaansen	.....	D34/7
D431,700	S	*	10/2000	Roudebush	.....	D32/53
D489,503	S	*	5/2004	Lin	.....	D34/9
D513,445	S	*	1/2006	Lin	.....	D34/9
D518,266	S	*	3/2006	Yang et al.	.....	D34/9
D525,756	S	*	7/2006	Yang et al.	.....	D34/9
D528,726	S	*	9/2006	Lin	.....	D34/9
D537,999	S	*	3/2007	Lin	.....	D34/9
D539,498	S	*	3/2007	Yang et al.	.....	D34/9
D539,499	S	*	3/2007	Yang et al.	.....	D34/9
D540,001	S	*	4/2007	Zimmerman	.....	D34/9

D550,918	S	*	9/2007	Wang et al.	.....	D34/11
D552,824	S	*	10/2007	Zimmerman	.....	D34/7
D559,495	S	*	1/2008	Yang et al.	.....	D34/9
D564,169	S	*	3/2008	Wang	.....	D34/7
D566,367	S	*	4/2008	Lin	.....	D34/7
D566,923	S	*	4/2008	Lin	.....	D34/7
D576,371	S	*	9/2008	Zimmerman	.....	D34/7

\* cited by examiner

*Primary Examiner*—Cynthia E Ramirez

(74) *Attorney, Agent, or Firm*—Raymond Y. Chan; David and Raymond Patent Firm

(57) **CLAIM**

The ornamental design for an automatic trash can, as shown and described.

**DESCRIPTION**

FIG. 1 is a perspective view of an automatic trash can showing my new design;

FIG. 2 is a front view thereof;

FIG. 3 is a rear view thereof;

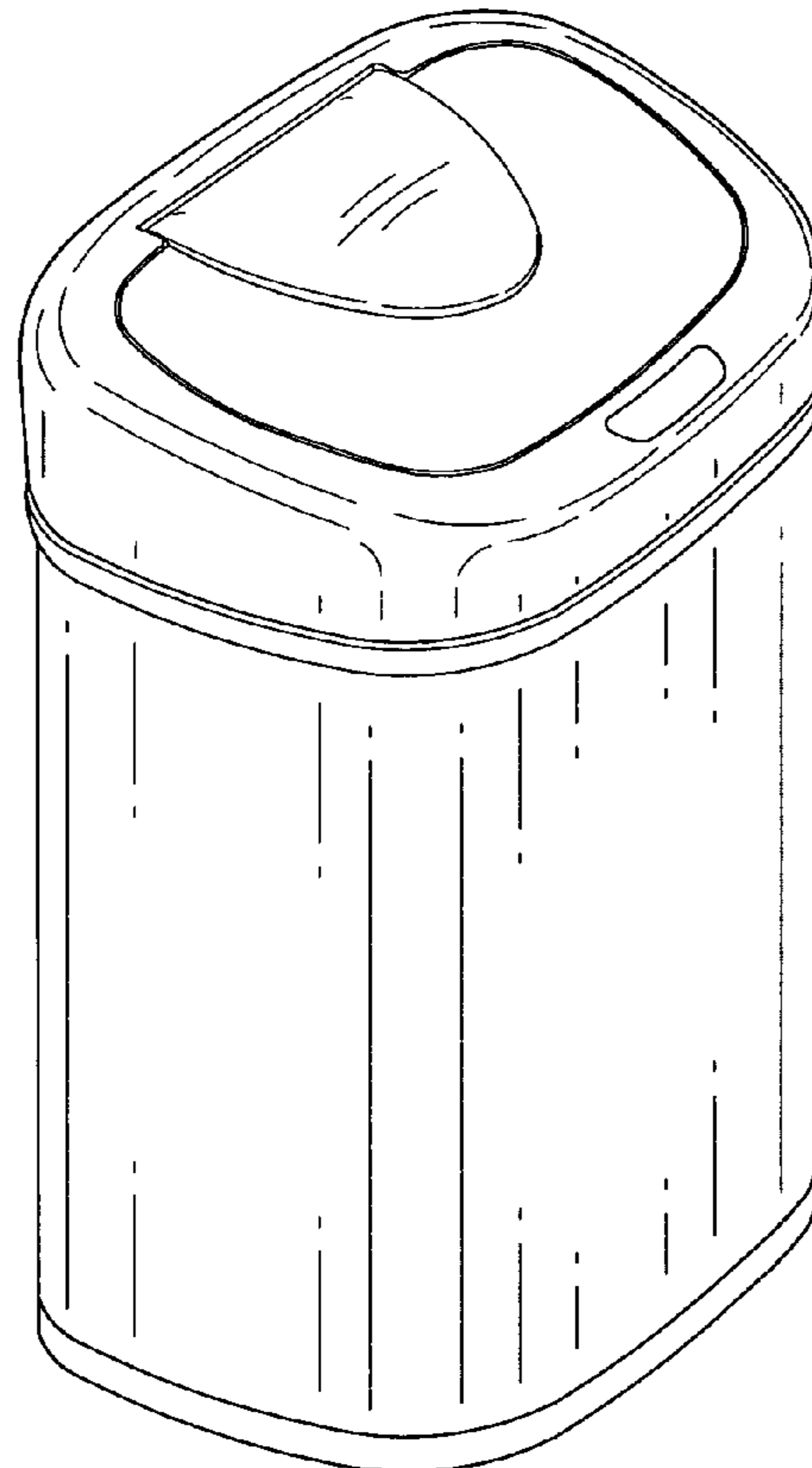
FIG. 4 is a right side view thereof;

FIG. 5 is a left side view thereof;

FIG. 6 is a top view thereof; and,

FIG. 7 is a perspective view in an open position.

**1 Claim, 7 Drawing Sheets**



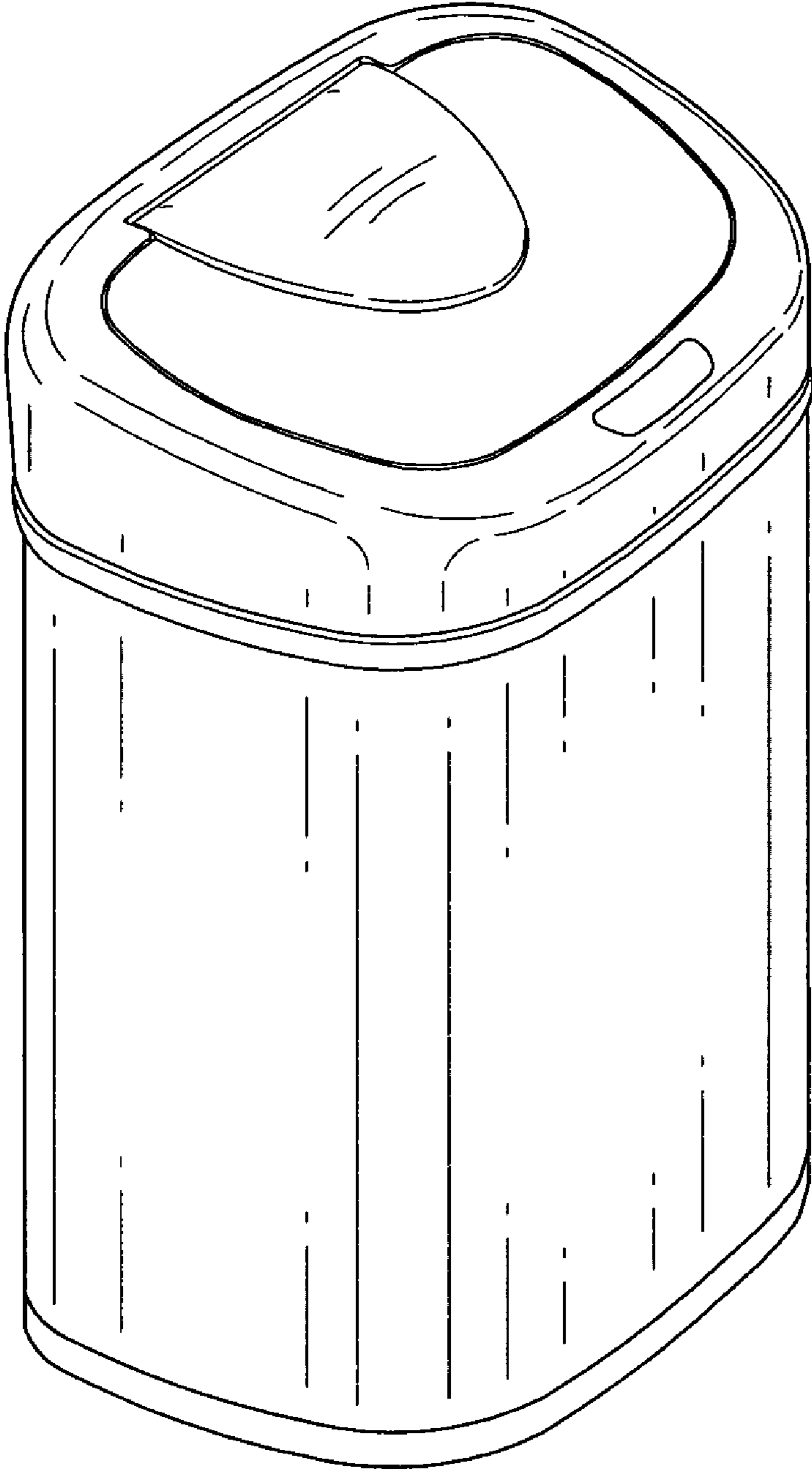


Fig. 1

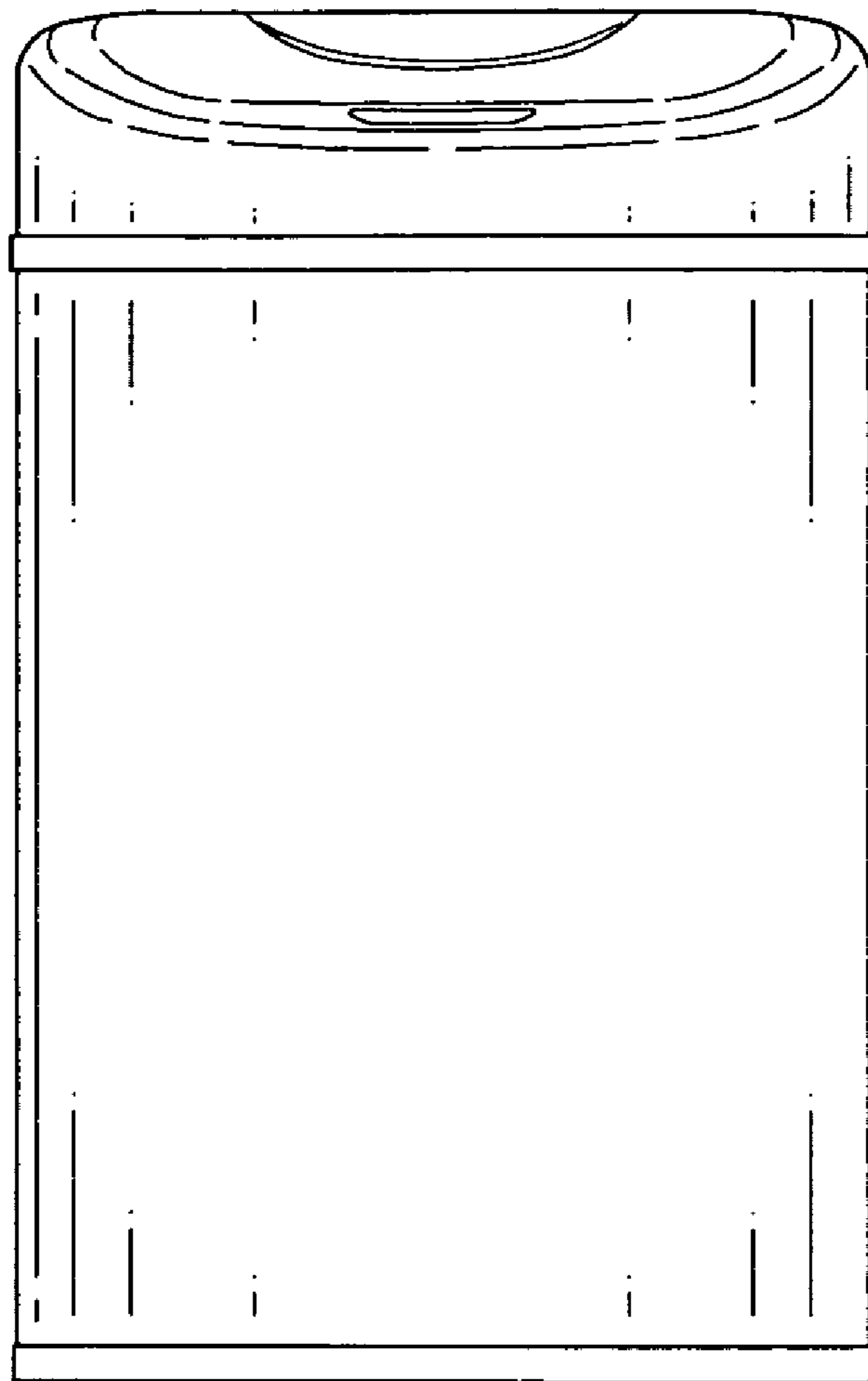


Fig.2

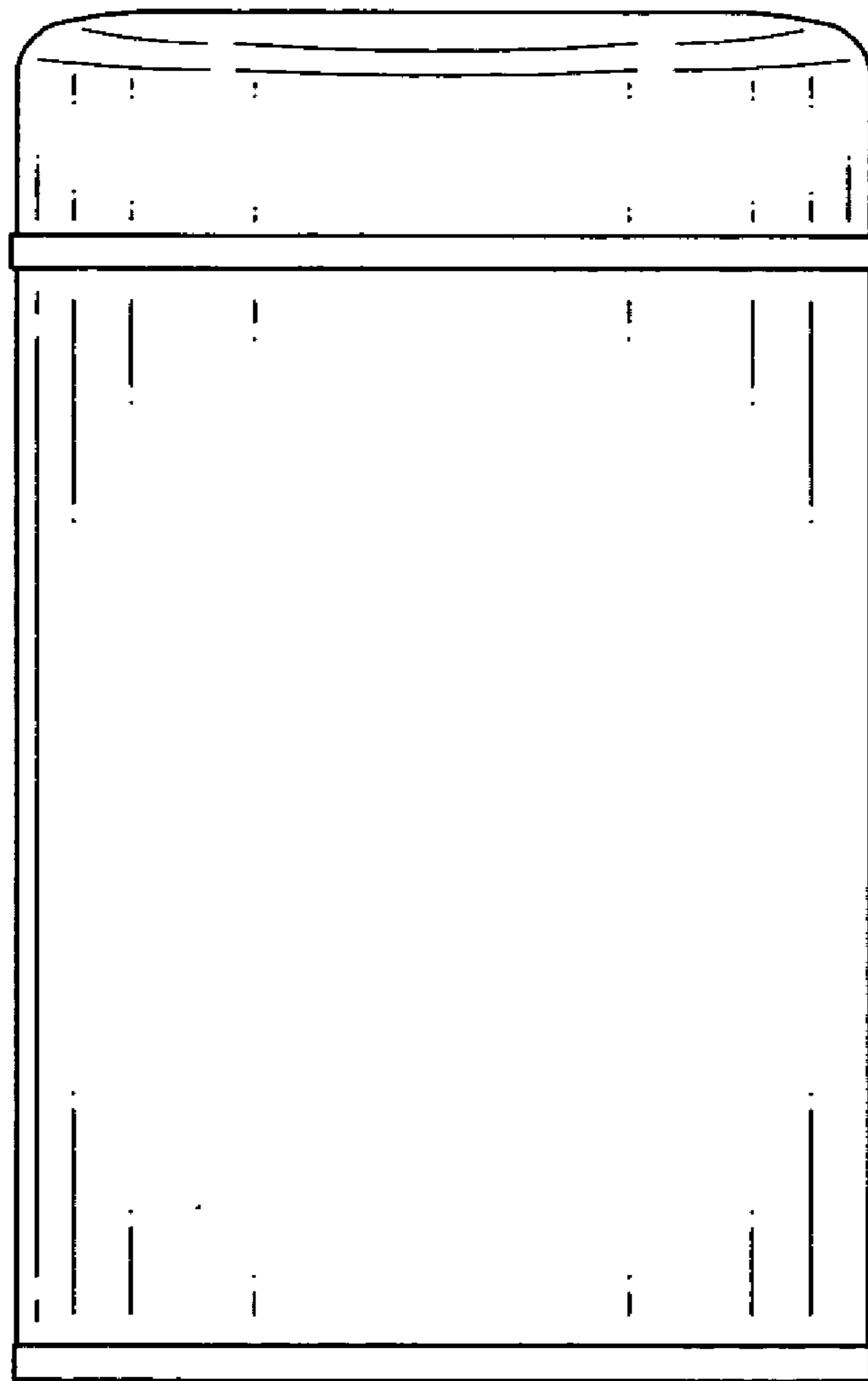


Fig.3

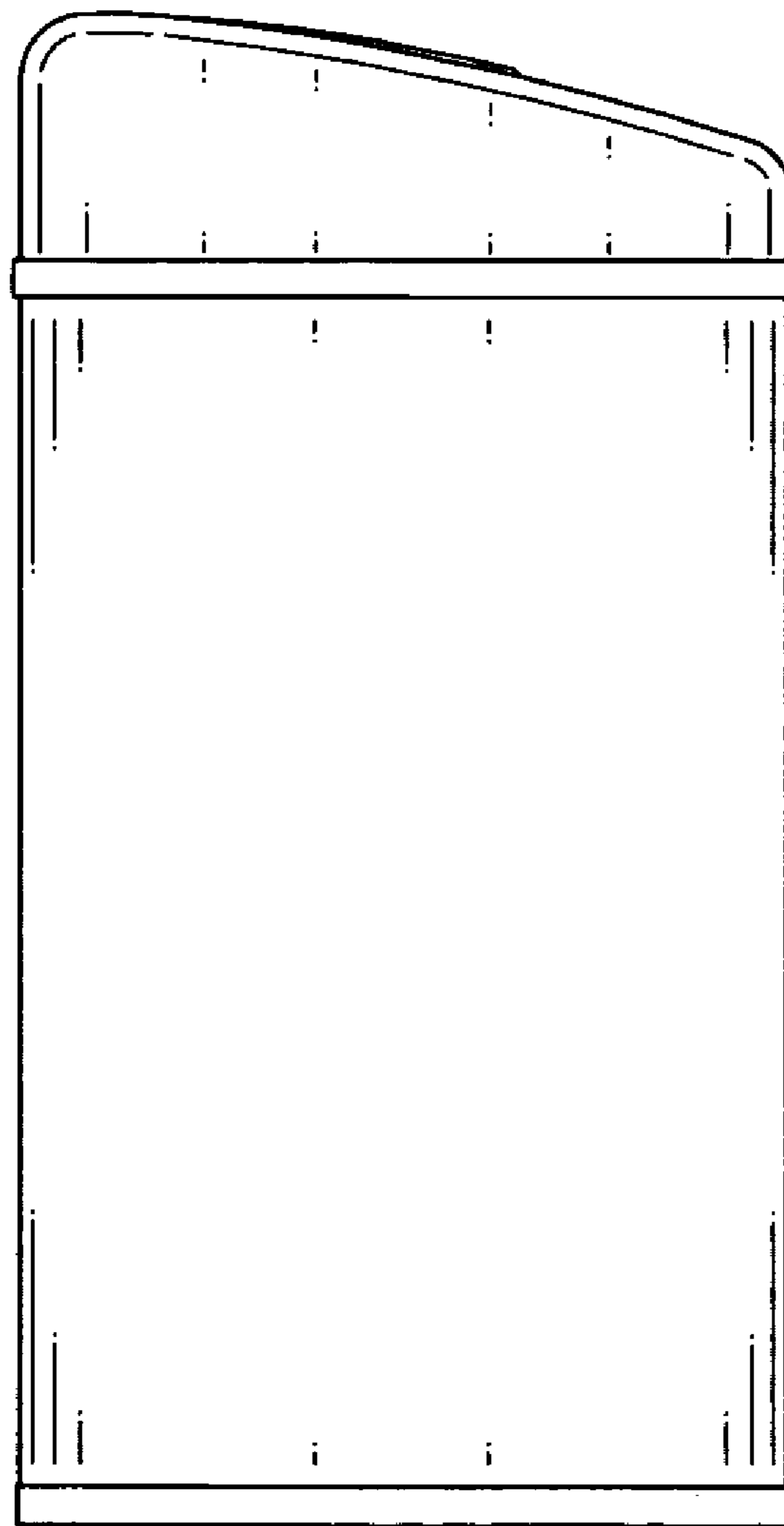


Fig.4

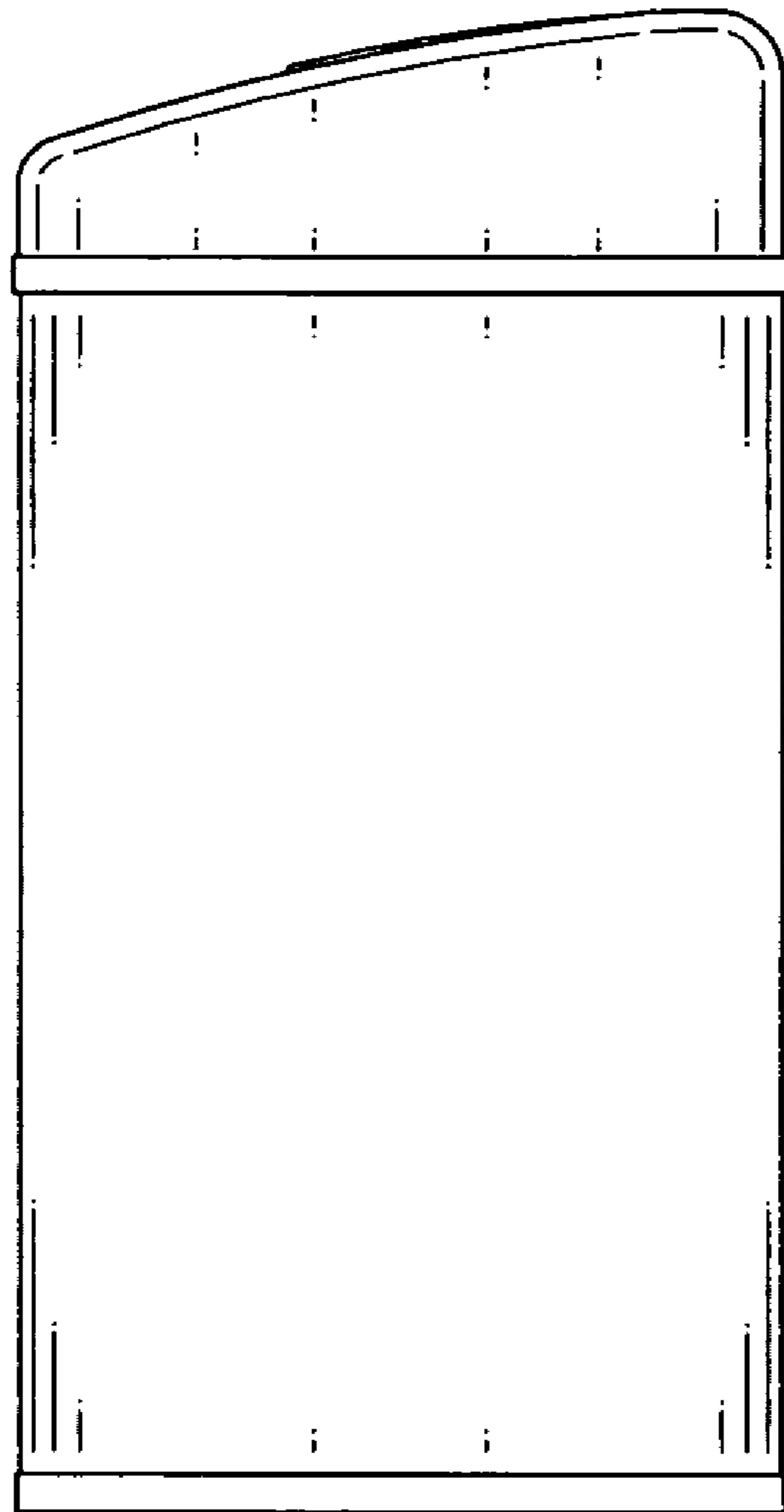


Fig.5

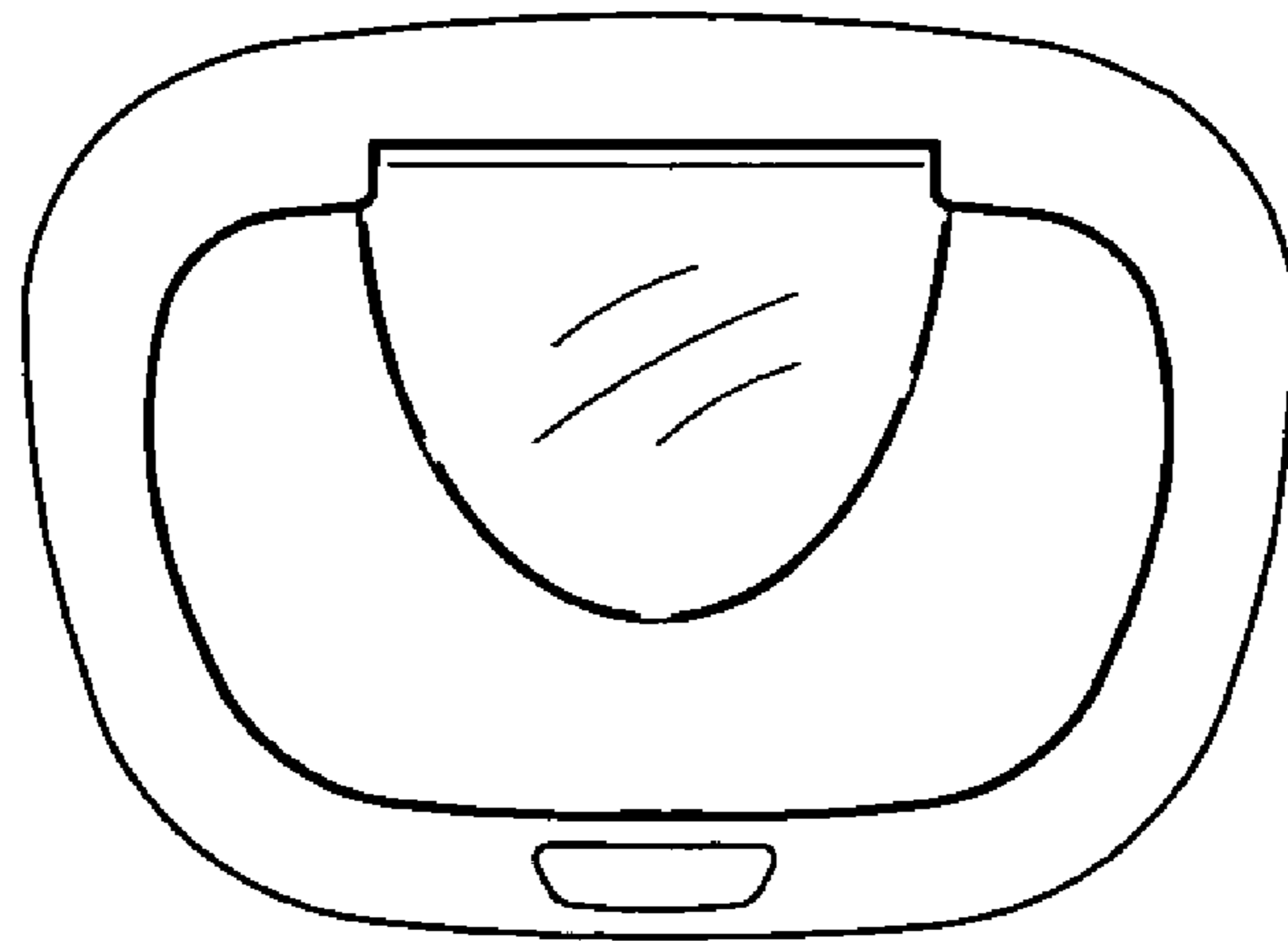


Fig.6

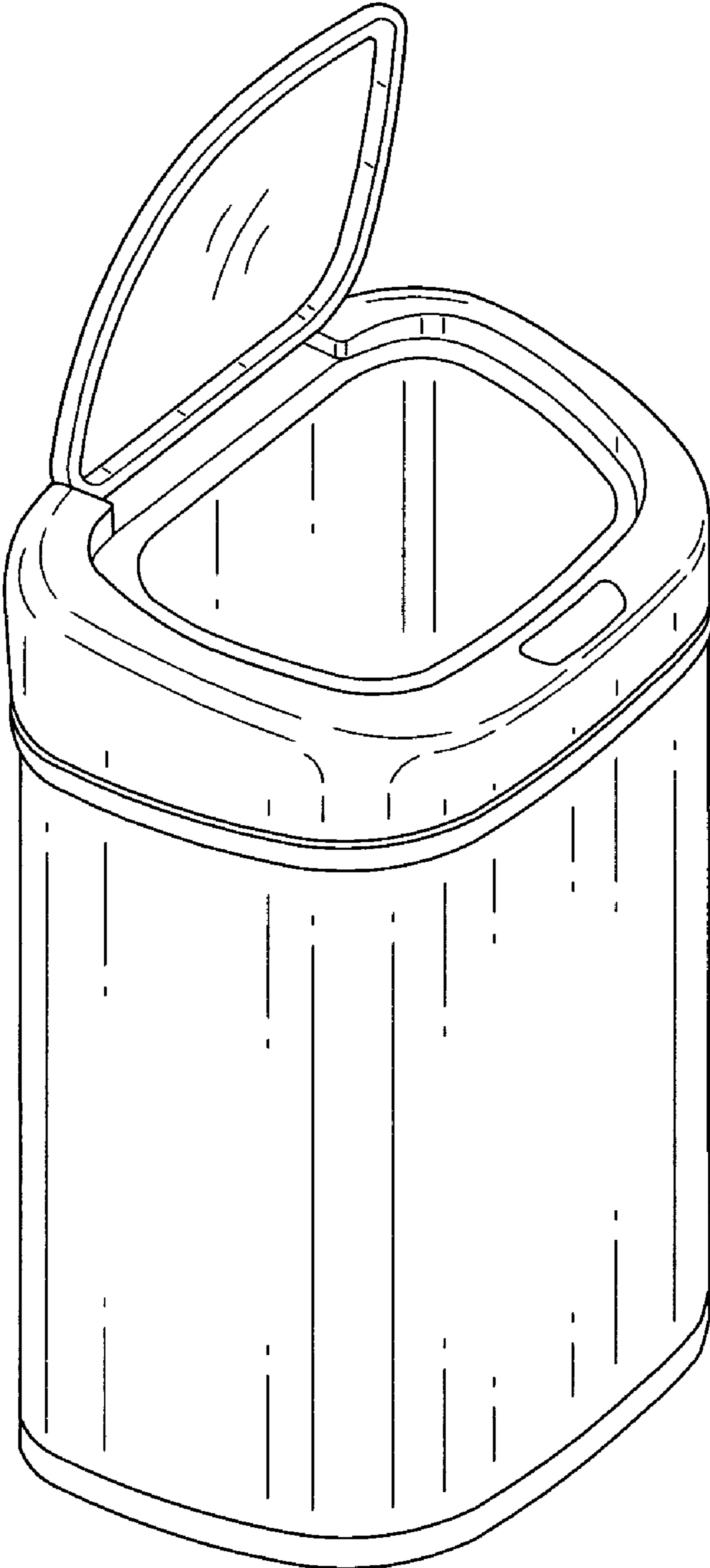


Fig.7