



US00D587873S

(12) **United States Design Patent**
Eshleman et al.

(10) **Patent No.:** **US D587,873 S**
(45) **Date of Patent:** **** Mar. 3, 2009**

(54) **GRILL**

(75) Inventors: **George D Eshleman**, Calhoun, GA (US); **Thorold J Sharitz**, Duluth, GA (US)

(73) Assignee: **Welch Grill Works, LLC**, Calhoun, GA (US)

(**) Term: **14 Years**

(21) Appl. No.: **29/306,158**

(22) Filed: **Apr. 3, 2008**

(51) **LOC (9) Cl.** **15-05**

(52) **U.S. Cl.** **D32/334**

(58) **Field of Classification Search** D7/332,
D7/334-337, 402-405, 407; 126/25 R, 29-30,
126/25 A, 25 AA, 9 R, 38, 37 R, 41 R, 40,
126/39 E, 39 H, 50, 276, 268, 519, 506; 99/481-482,
99/646 R

See application file for complete search history.

(56) **References Cited**

U.S. PATENT DOCUMENTS

D395,982 S	*	7/1998	Dunn et al.	D7/402
D429,944 S	*	8/2000	Alle	D7/332
D436,284 S	*	1/2001	Mak	D7/332
D442,818 S	*	5/2001	Cragg	D7/334
D485,115 S	*	1/2004	Barrett	D7/332
D491,414 S	*	6/2004	Nichols et al.	D7/402
D497,076 S	*	10/2004	Sutcliff et al.	D7/332
D538,580 S	*	3/2007	Loving	D7/332
D546,115 S	*	7/2007	Henry	D7/332
D551,489 S	*	9/2007	Gondek	D7/332
D559,620 S	*	1/2008	Bachinski et al.	D7/402
D578,820 S	*	10/2008	Bauer	D7/332

OTHER PUBLICATIONS

Racecar Shaped BBQ Grill, http://cgi.ebay.com/Racecar-Shaped-BBQ-Grill-Great-for-NASCAR-Fans_W0QQitemZ22022446881-

2QQihZ012QQcategoryZ79687QQrdZ1QQssPageNameZWD1V-QQcmdZViewItemQQ#ebayphotohosting; pp. 1-4 and second p. 2; <http://stores.ebay.com/Chi-Mo-Gifts-and-Boating-Hardware> (store maintained by chimo8899 (for purposes of citation only, prior to Apr. 4, 2007).

* cited by examiner

Primary Examiner—Ruth McInroy

(74) *Attorney, Agent, or Firm*—Baker Donelson Bearman Caldwell & Berkowitz, PC

(57) **CLAIM**

The ornamental design for a grill, as shown and described.

DESCRIPTION

FIG. 1 is a perspective view of my new design for a grill;

FIG. 2 is a front elevational view thereof;

FIG. 3 is a right elevational side view, the left elevational view being a mirror image thereof;

FIG. 4 is a back elevational view thereof;

FIG. 5 is a top plan view thereof;

FIG. 6 is a perspective view in second orientation thereof.

FIG. 7 is a perspective view of a second embodiment of my new design for a grill;

FIG. 8 is a front elevational view thereof;

FIG. 9 is a right elevational side view, the left elevational view being a mirror image thereof;

FIG. 10 is a back elevational view thereof;

FIG. 11 is a top plan view thereof; and,

FIG. 12 is a perspective view in second orientation thereof.

The phantom lines in FIGS. 1 and 7 depict an environment of our new design and form no part of the claimed design.

1 Claim, 6 Drawing Sheets

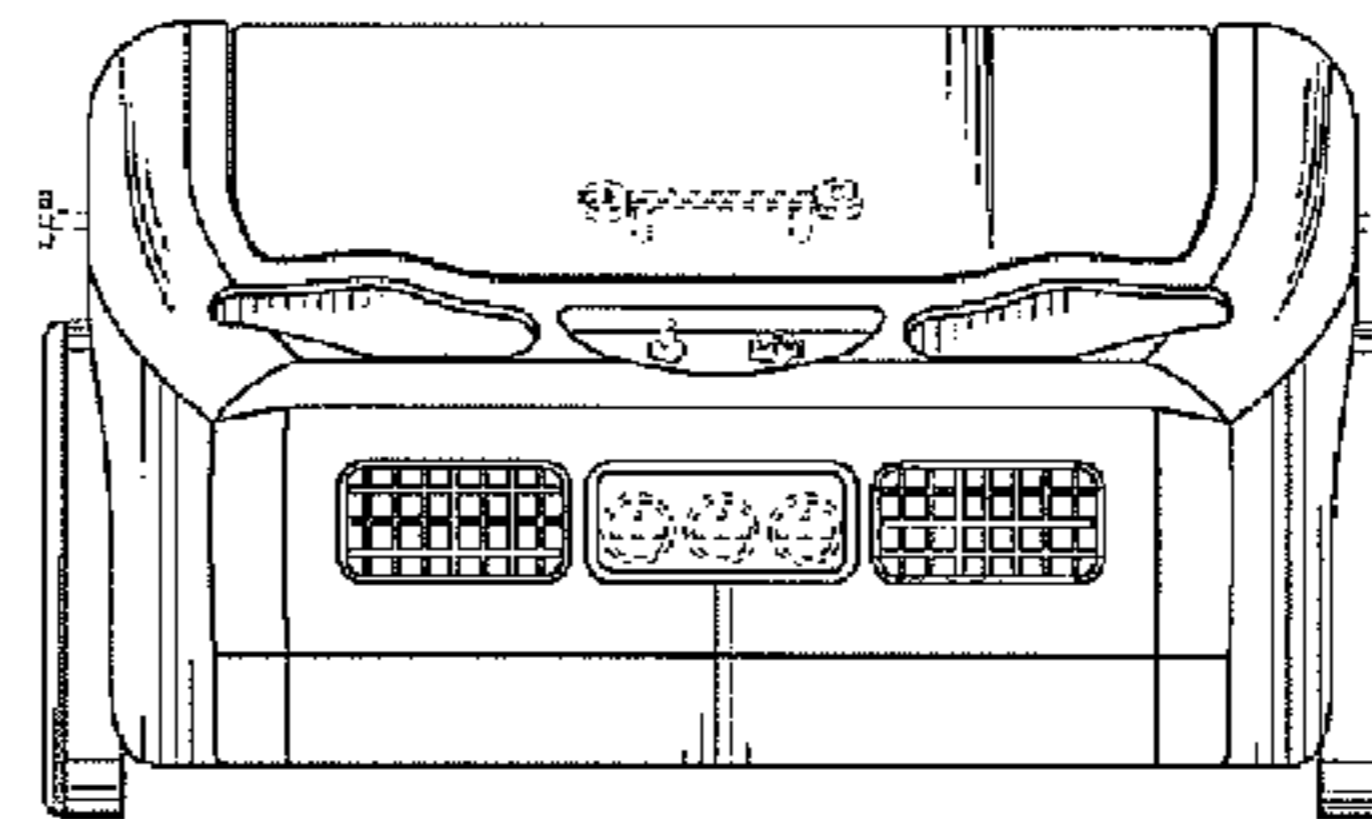
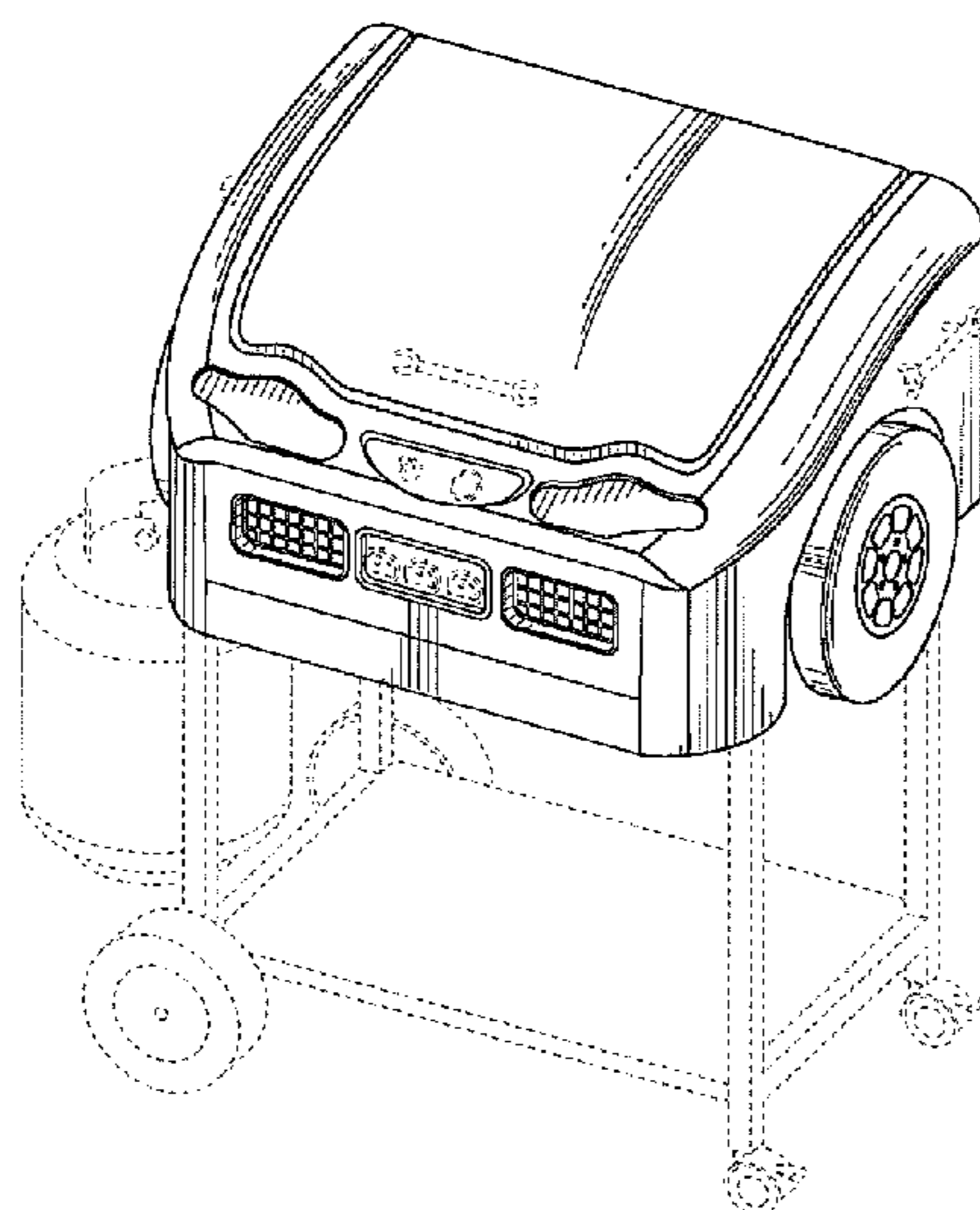


Fig. 1

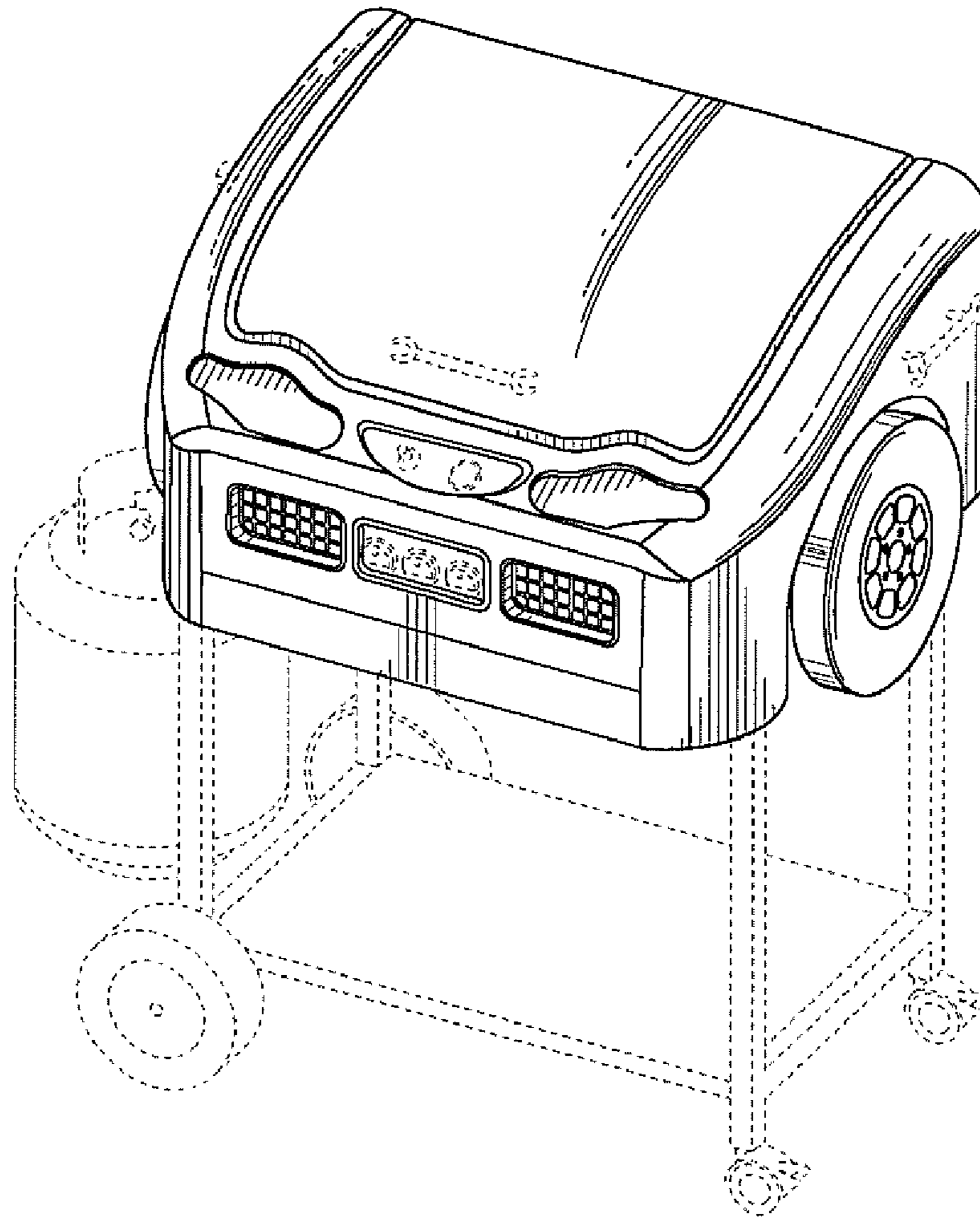


Fig. 2

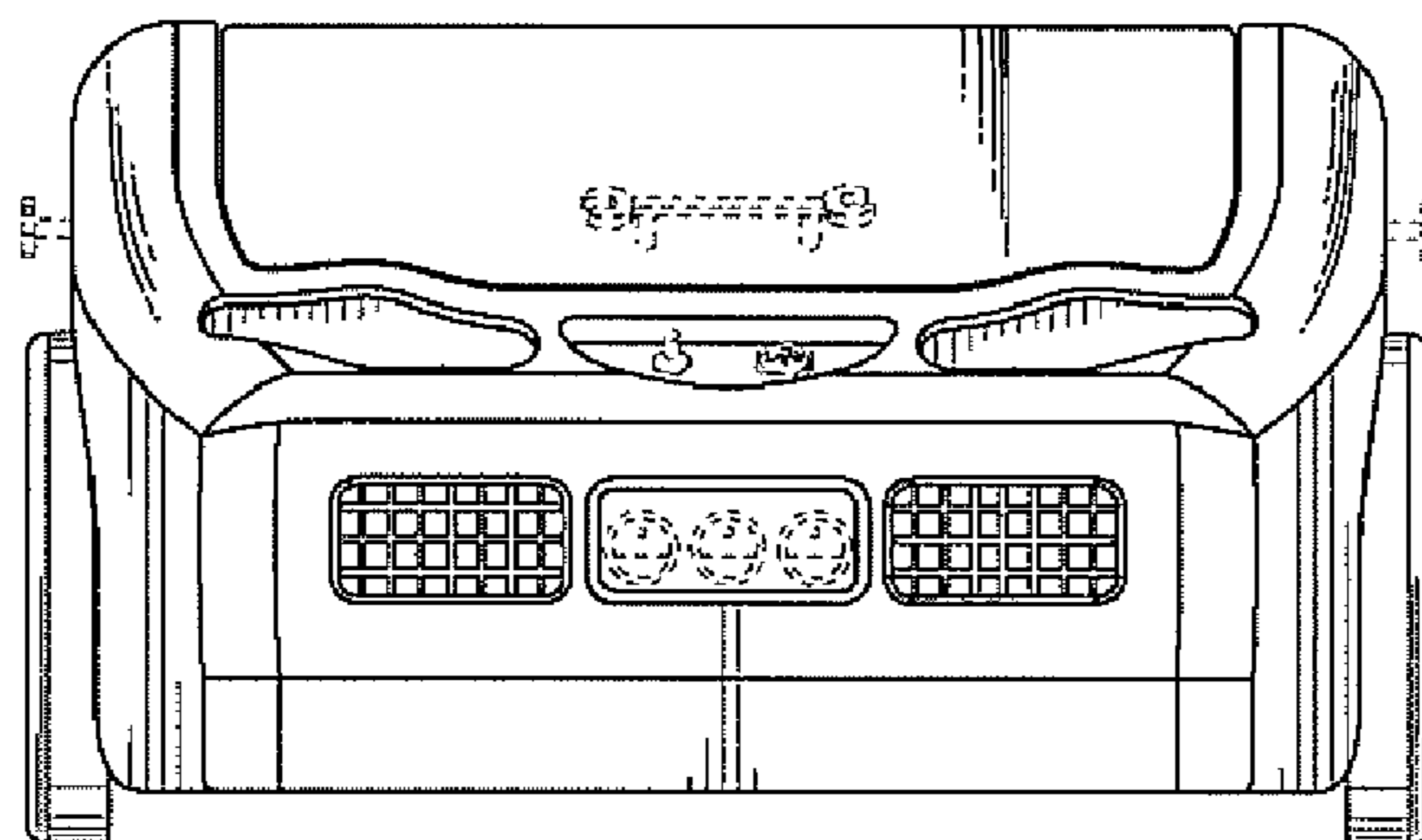


Fig. 3

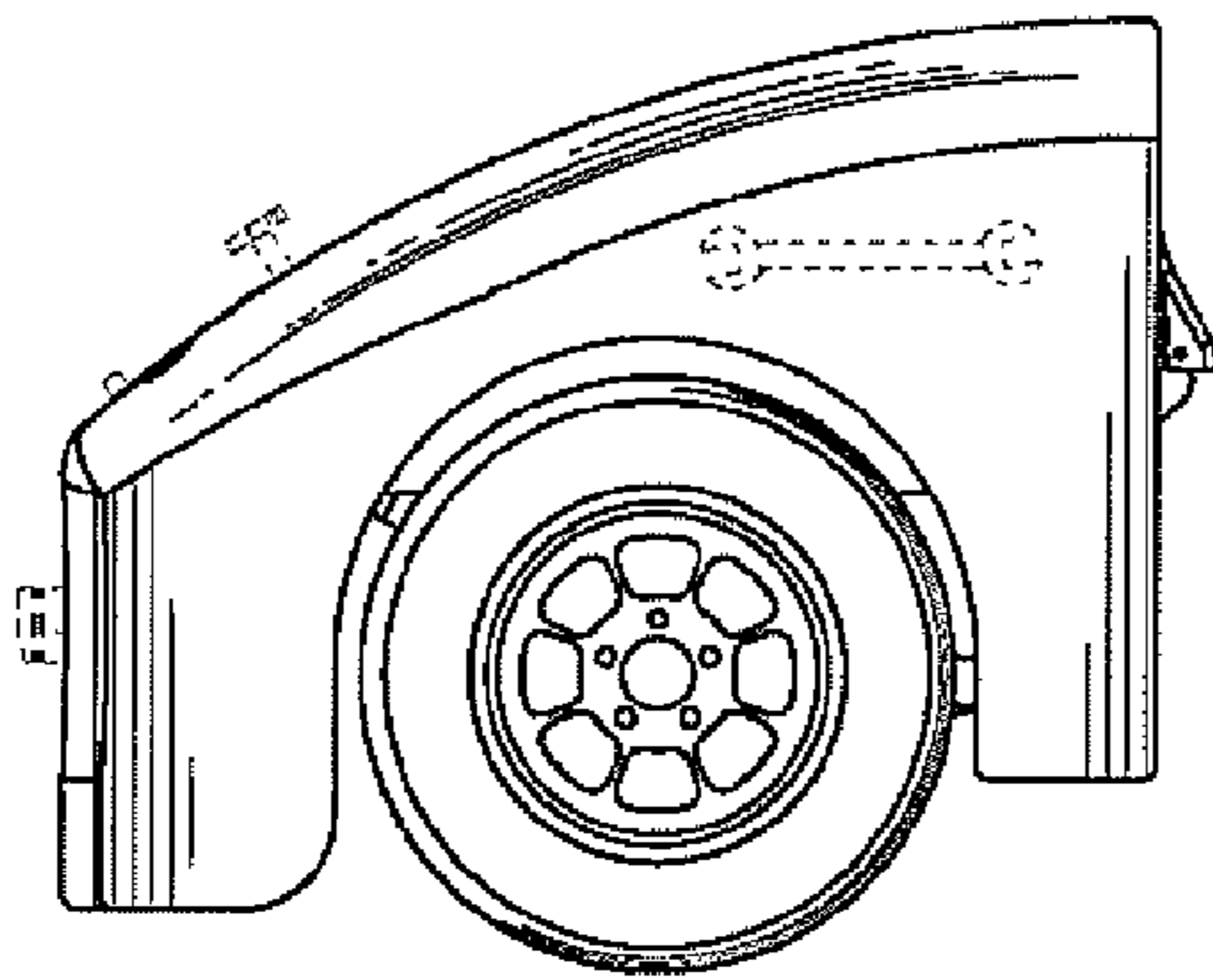


Fig. 4

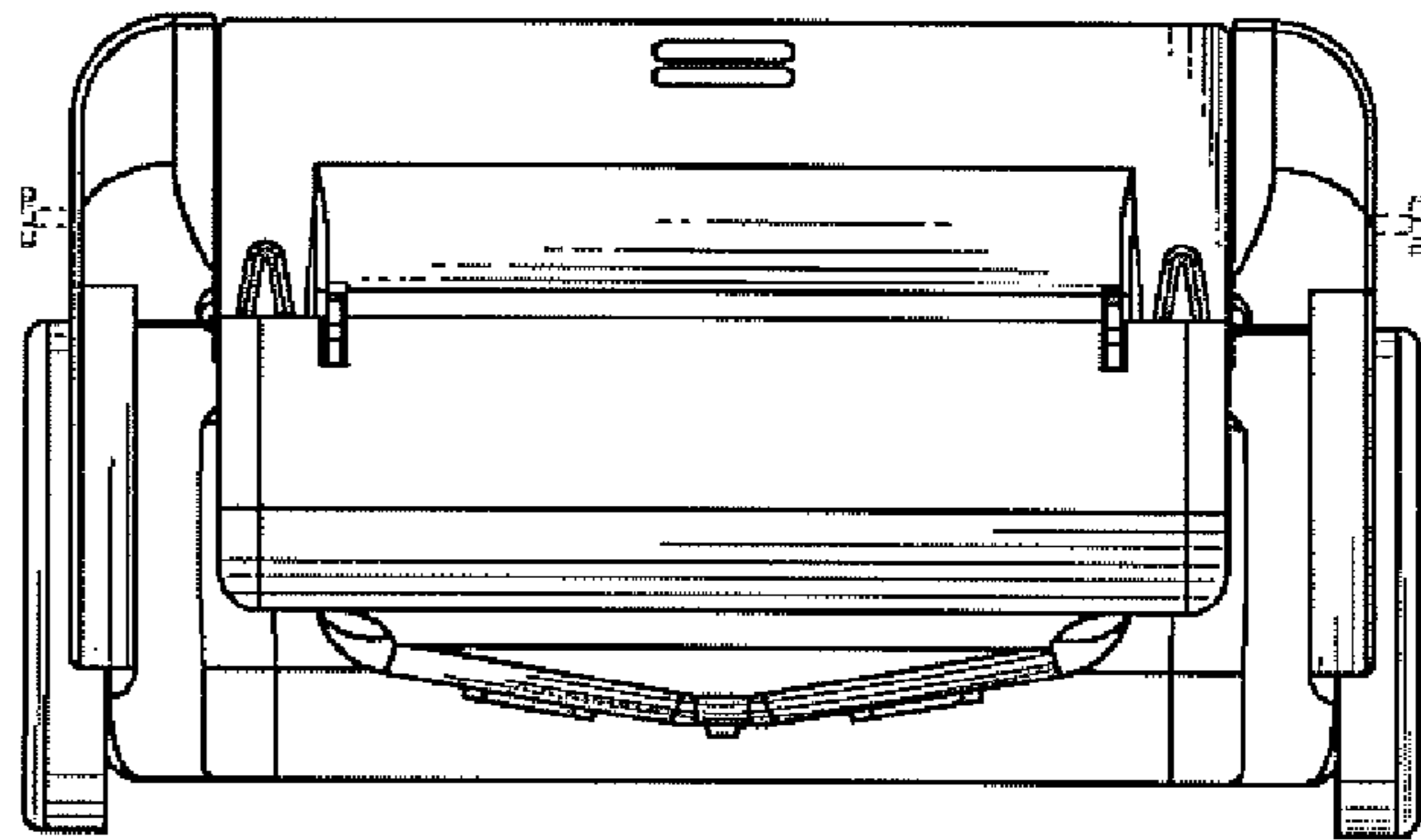


Fig. 5

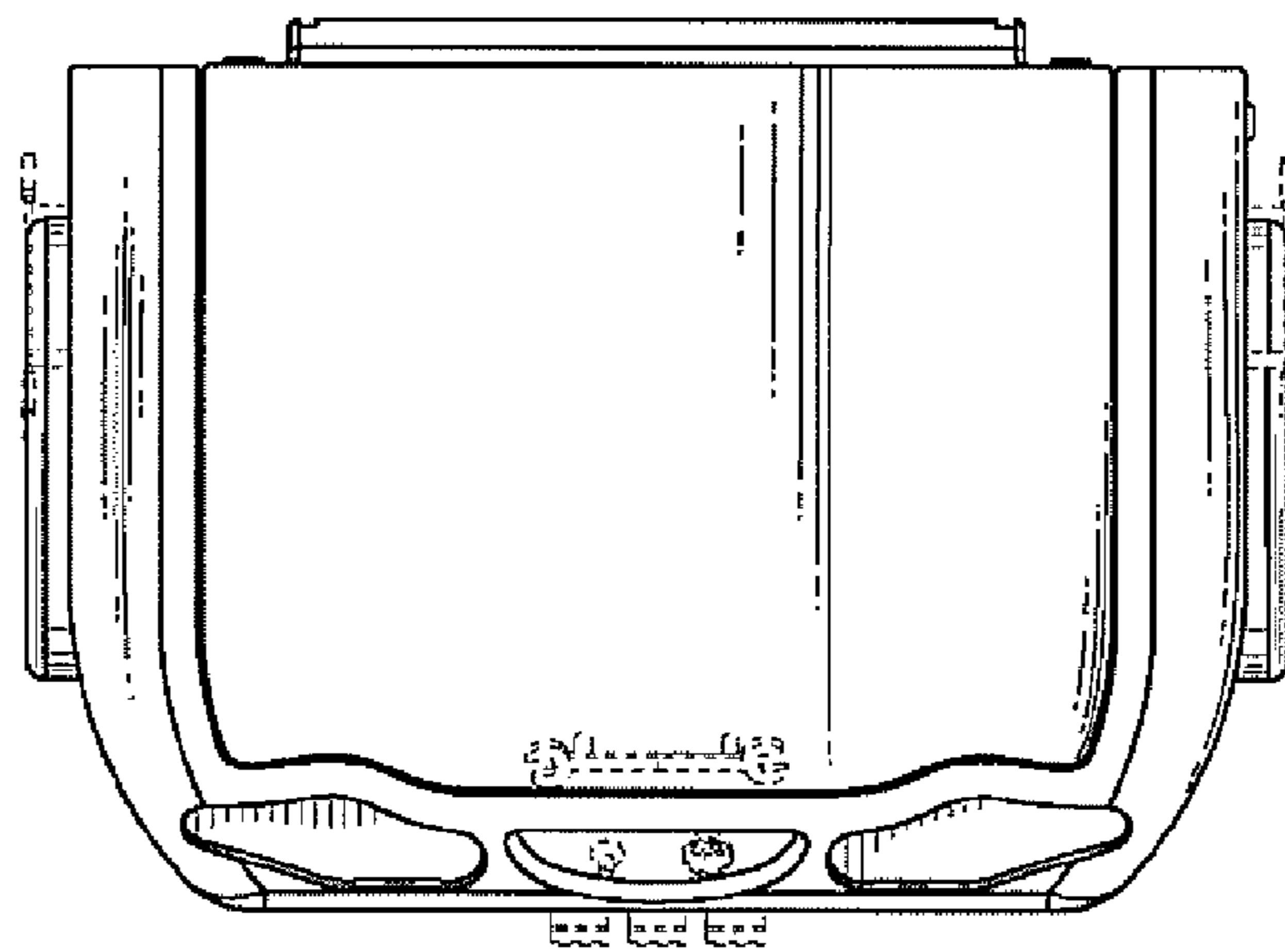


Fig. 6

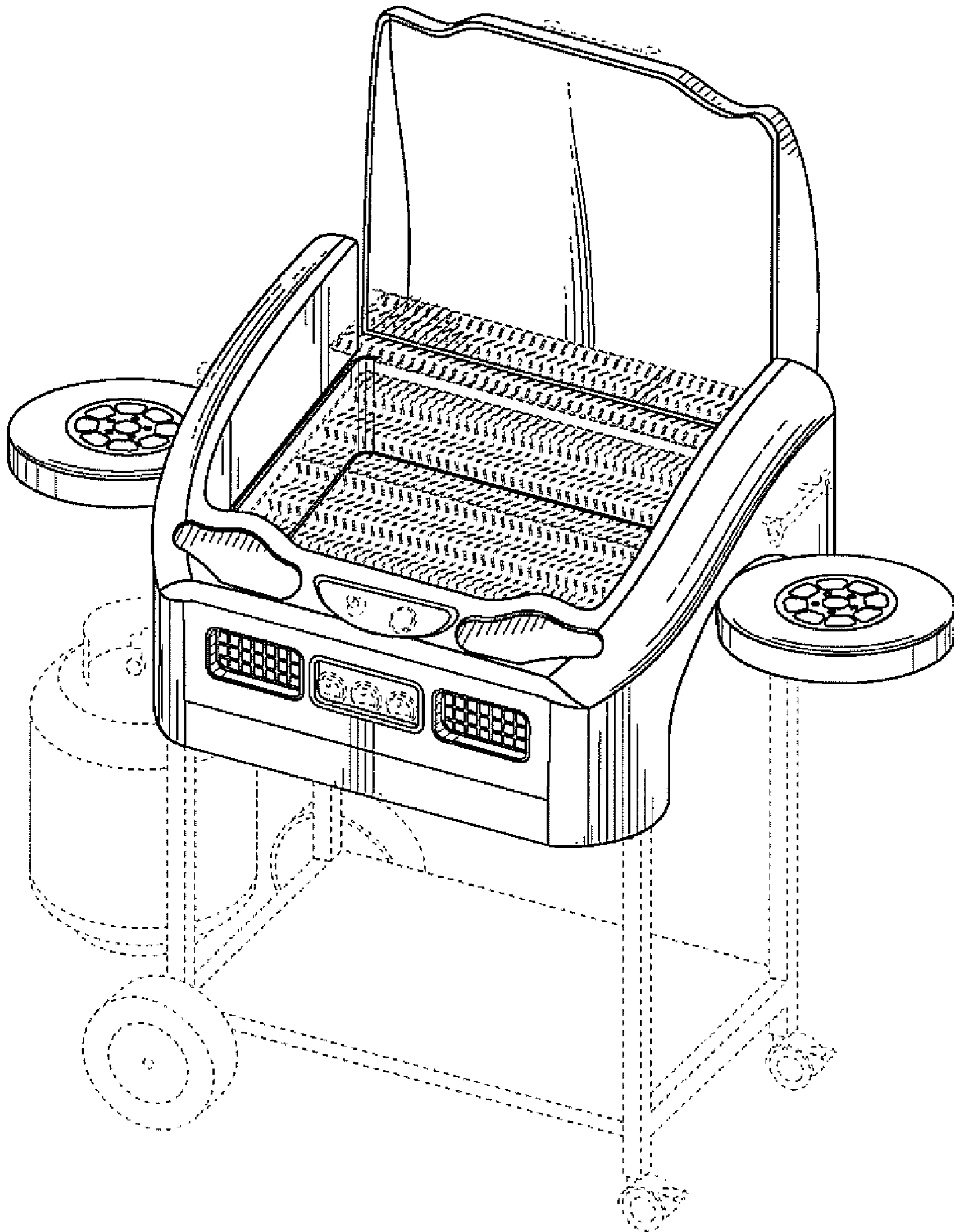


Fig. 7

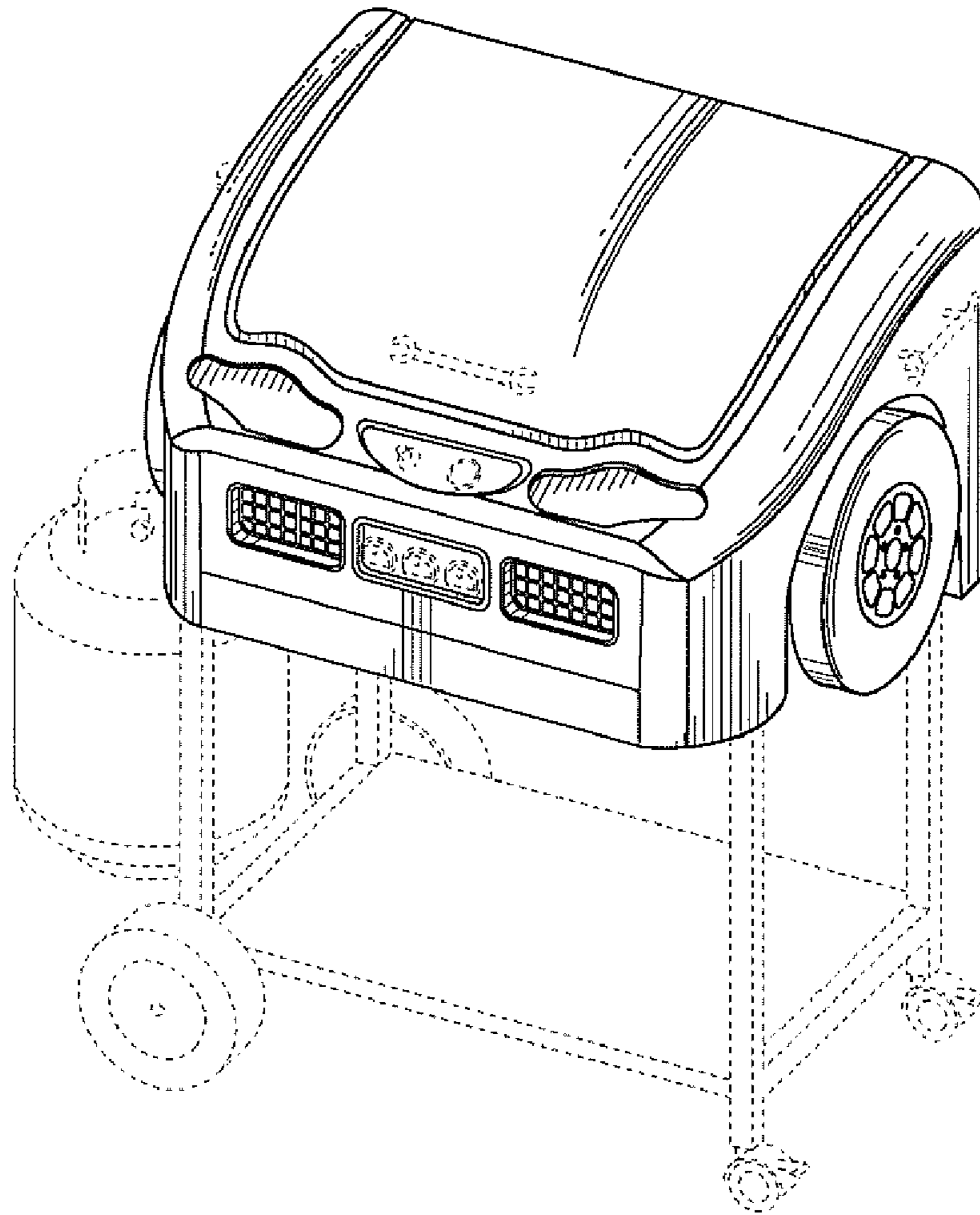


Fig. 8

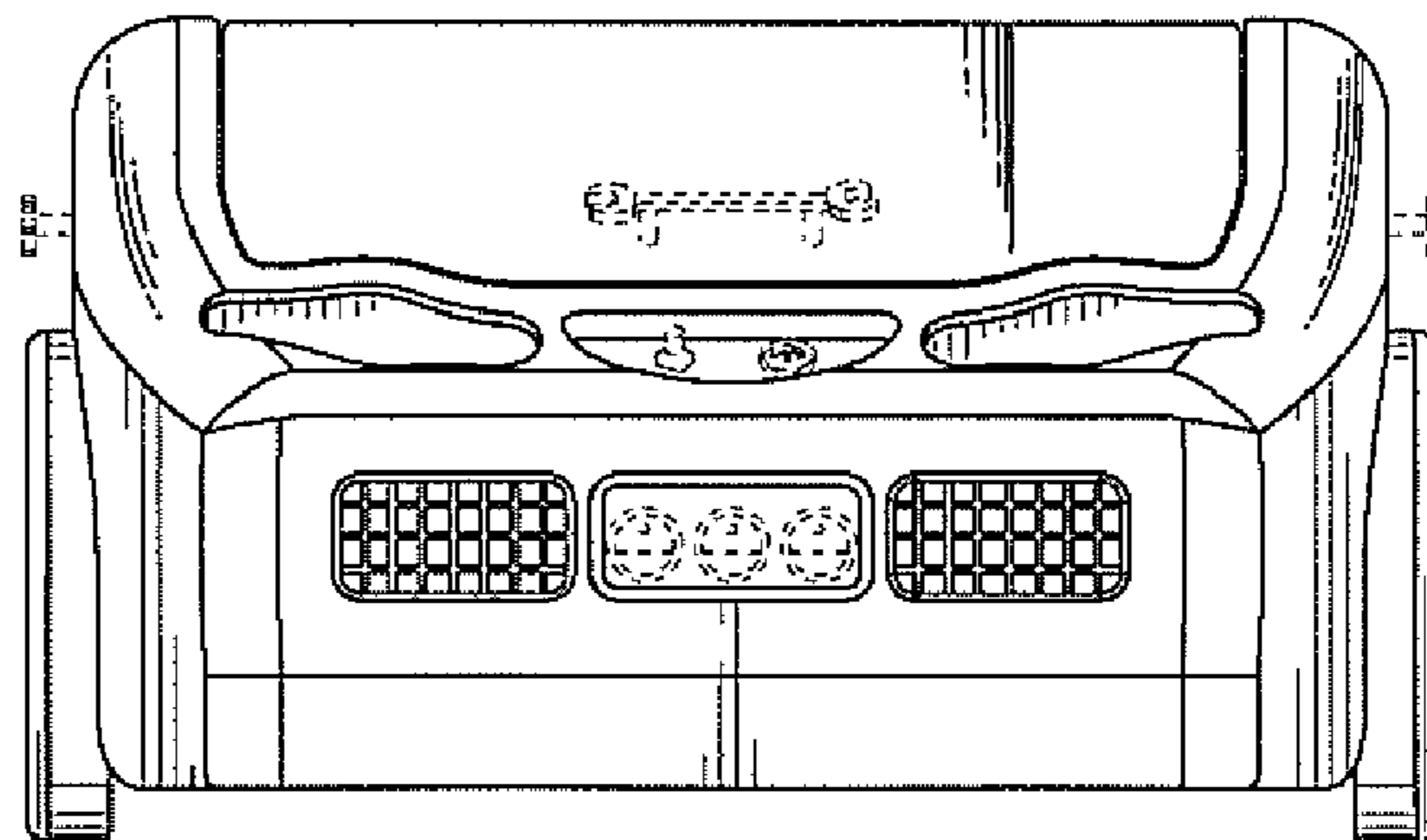


Fig. 9

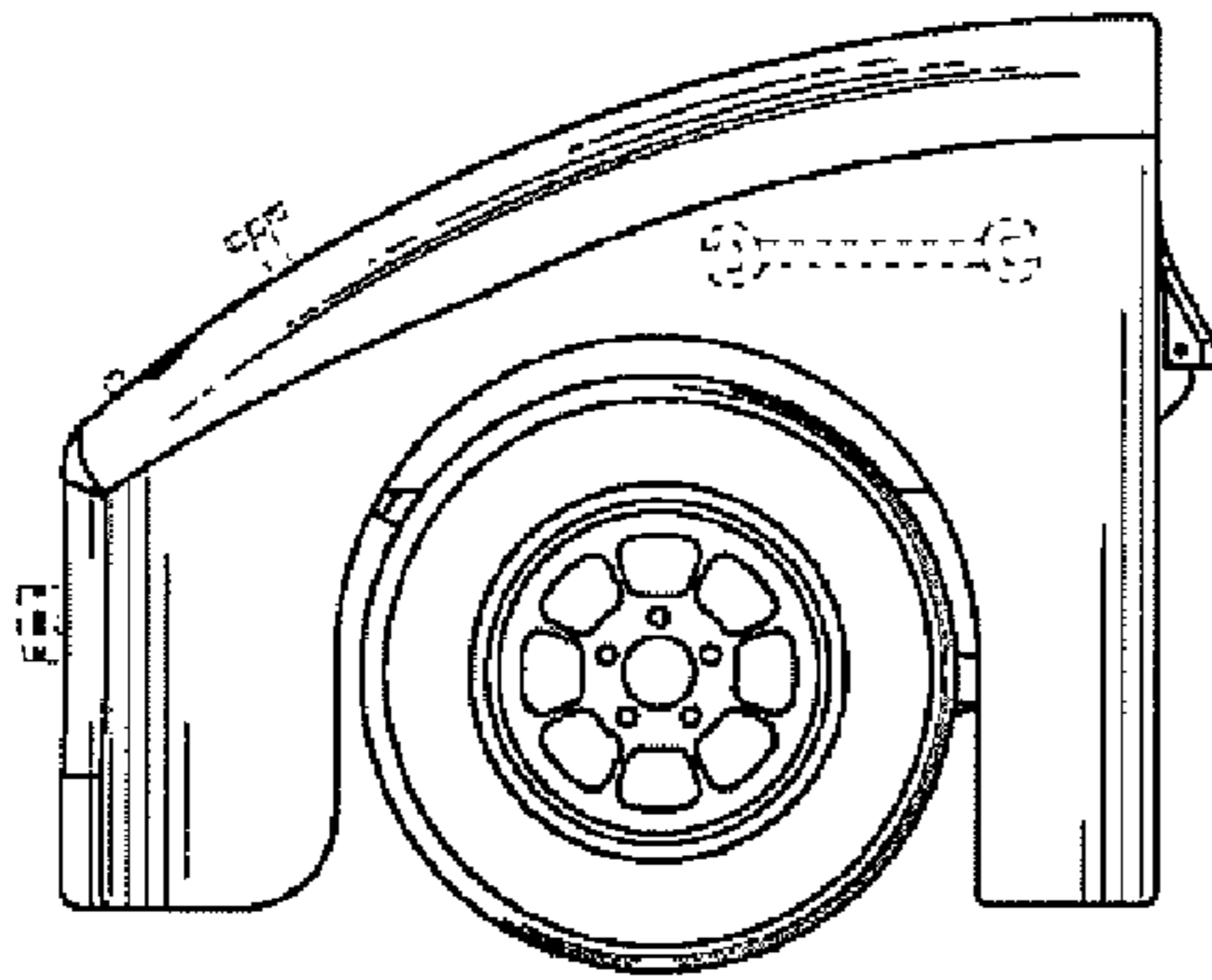


Fig. 10

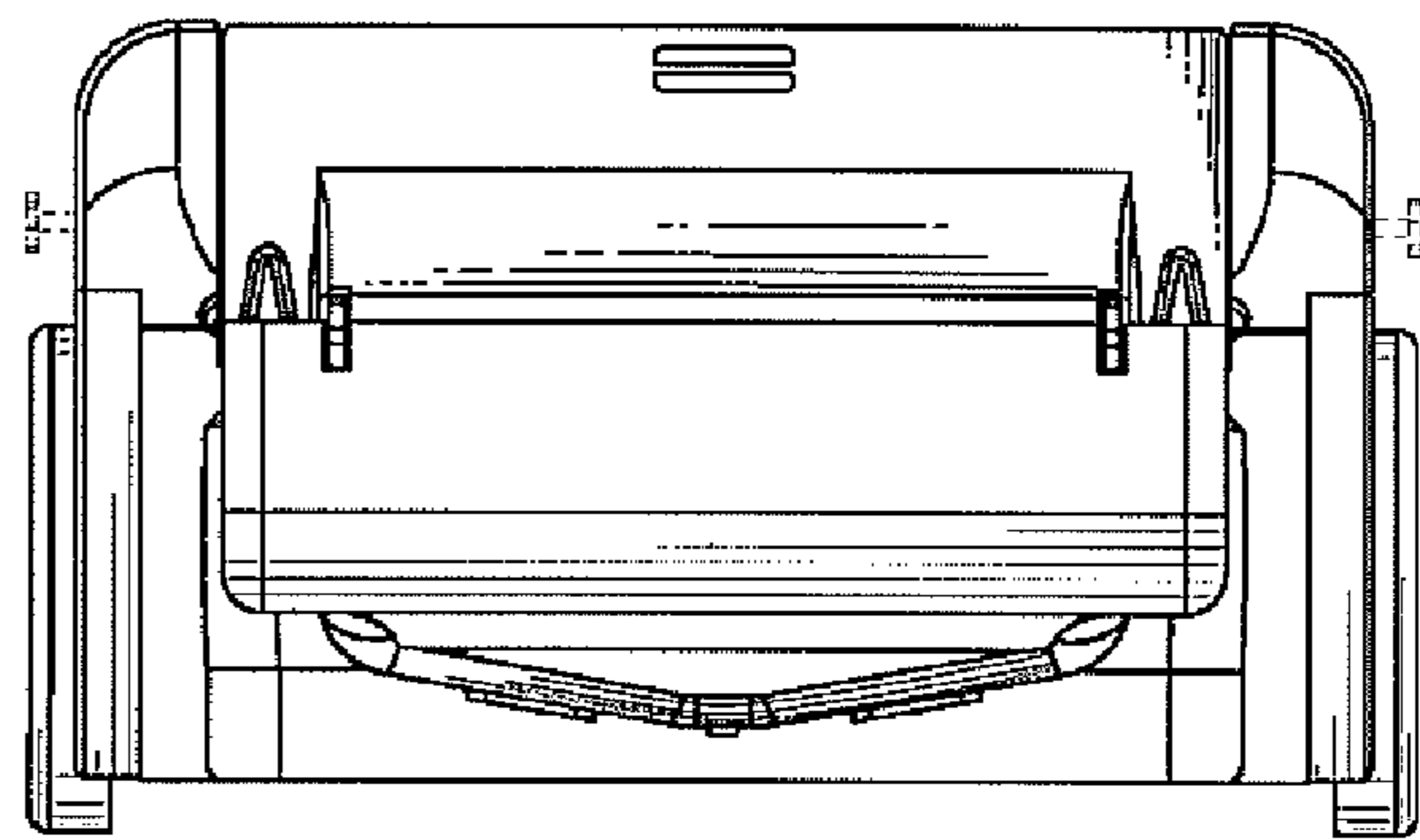


Fig. 11

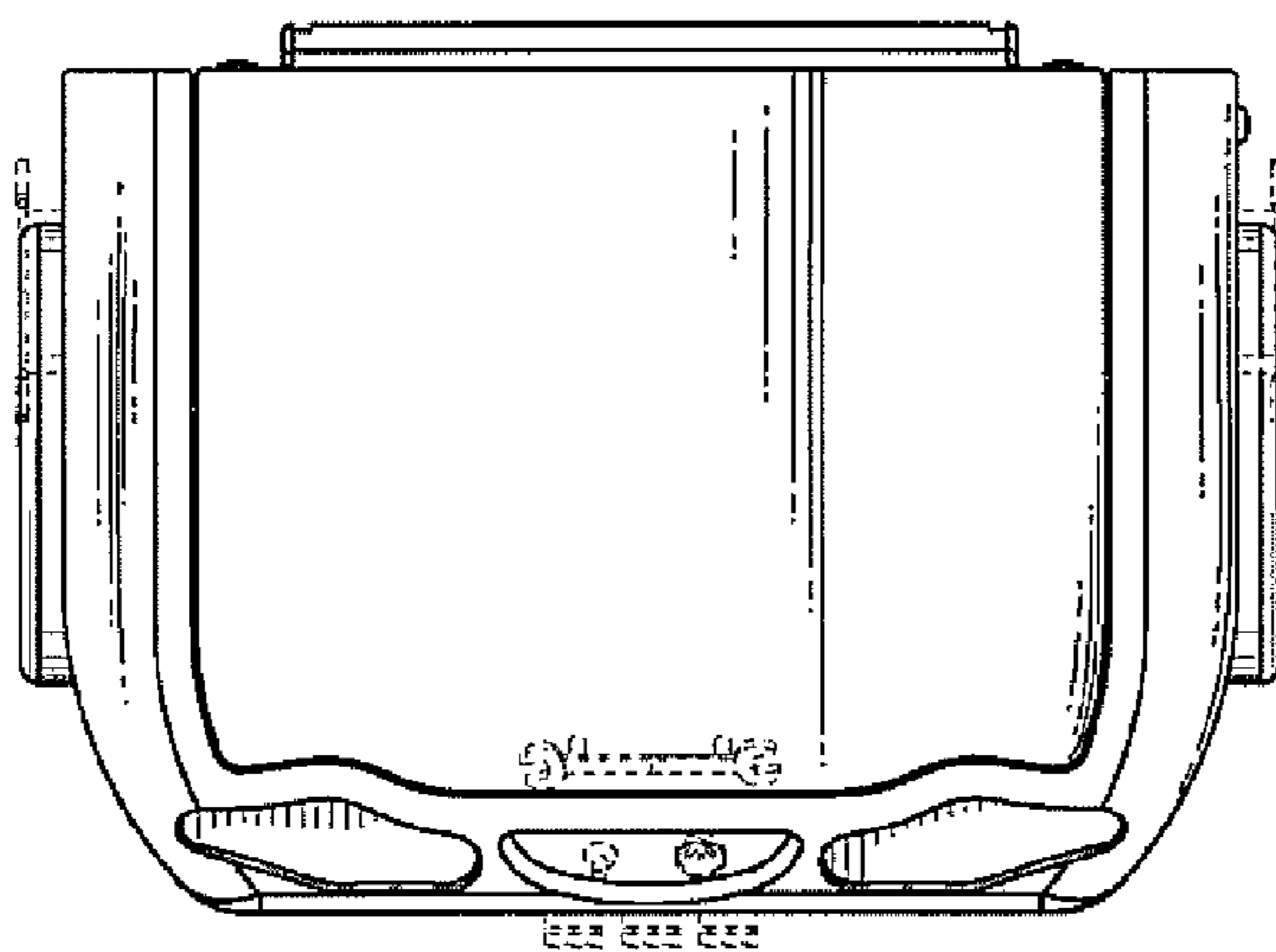


Fig. 12

