



US00D587871S

(12) **United States Design Patent**  
**van Deursen et al.**

(10) **Patent No.:** **US D587,871 S**  
(45) **Date of Patent:** **\*\* Mar. 3, 2009**

(54) **WALL STRIPPER**

(75) Inventors: **Gary E. van Deursen**, Essex, CT (US);  
**Richard M. O’Grady**, Southington, CT  
(US); **David W. Kaiser**, North Haven,  
CT (US)

(73) Assignee: **American Saftey Razor**, Verona, VA  
(US)

(\*\*) Term: **14 Years**

(21) Appl. No.: **29/290,934**

(22) Filed: **Jan. 31, 2008**

(51) **LOC (9) Cl.** ..... **07-05**

(52) **U.S. Cl.** ..... **D32/49; D32/48; D32/46**

(58) **Field of Classification Search** ..... **D32/40–41,**  
**D32/46, 48–49; D8/14, 98, 90, 102, 107;**  
**15/236.01, 2, 236.02–236.08; 30/169, 244.1,**  
**30/236.08, 235–4; 16/110.1**

See application file for complete search history.

(56) **References Cited**

**U.S. PATENT DOCUMENTS**

D52,765 S	12/1918	Cheiver et al.
2,233,184 A	2/1941	Ruffleth
D152,375 S	1/1949	Seley
D156,638 S	12/1949	Lifshutz et al.
2,601,723 A	7/1952	Keller
D187,462 S	3/1960	Elliott et al.
3,924,329 A	12/1975	Carter
3,964,162 A	6/1976	Gerson et al.
4,124,915 A	11/1978	Schlicher
4,238,883 A	12/1980	Jacobson et al.
D271,628 S	11/1983	Bauer
4,468,831 A	9/1984	Schneider
4,558,517 A	12/1985	Gringer
4,575,936 A	3/1986	Gringer
4,612,707 A	9/1986	Shea
4,712,269 A	12/1987	Worthen
4,803,751 A	2/1989	Cousins

D305,818 S *	1/1990	Chen .....	D32/48
D307,963 S	5/1990	Newman, Sr. et al.	
4,955,138 A	9/1990	Henke et al.	

(Continued)

**FOREIGN PATENT DOCUMENTS**

JP 3-286067 12/1991

(Continued)

**OTHER PUBLICATIONS**

“Mini Glass Scraper”, retrieved from: <http://paint-and-supplies..hardwarestore.com/50-273-razor-scraper-mini-glass-scraper-140095.aspx>.

(Continued)

*Primary Examiner*—Pamela J Burgess

(74) *Attorney, Agent, or Firm*—McDermott Will & Emery LLP

(57) **CLAIM**

The ornamental design for a wall stripper, as shown and described.

**DESCRIPTION**

FIG. 1 is a front perspective view of the wall stripper, showing the new design;

FIG. 2 is a front view of the wall stripper;

FIG. 3 is a rear view of the wall stripper;

FIG. 4 is a side view of the wall stripper;

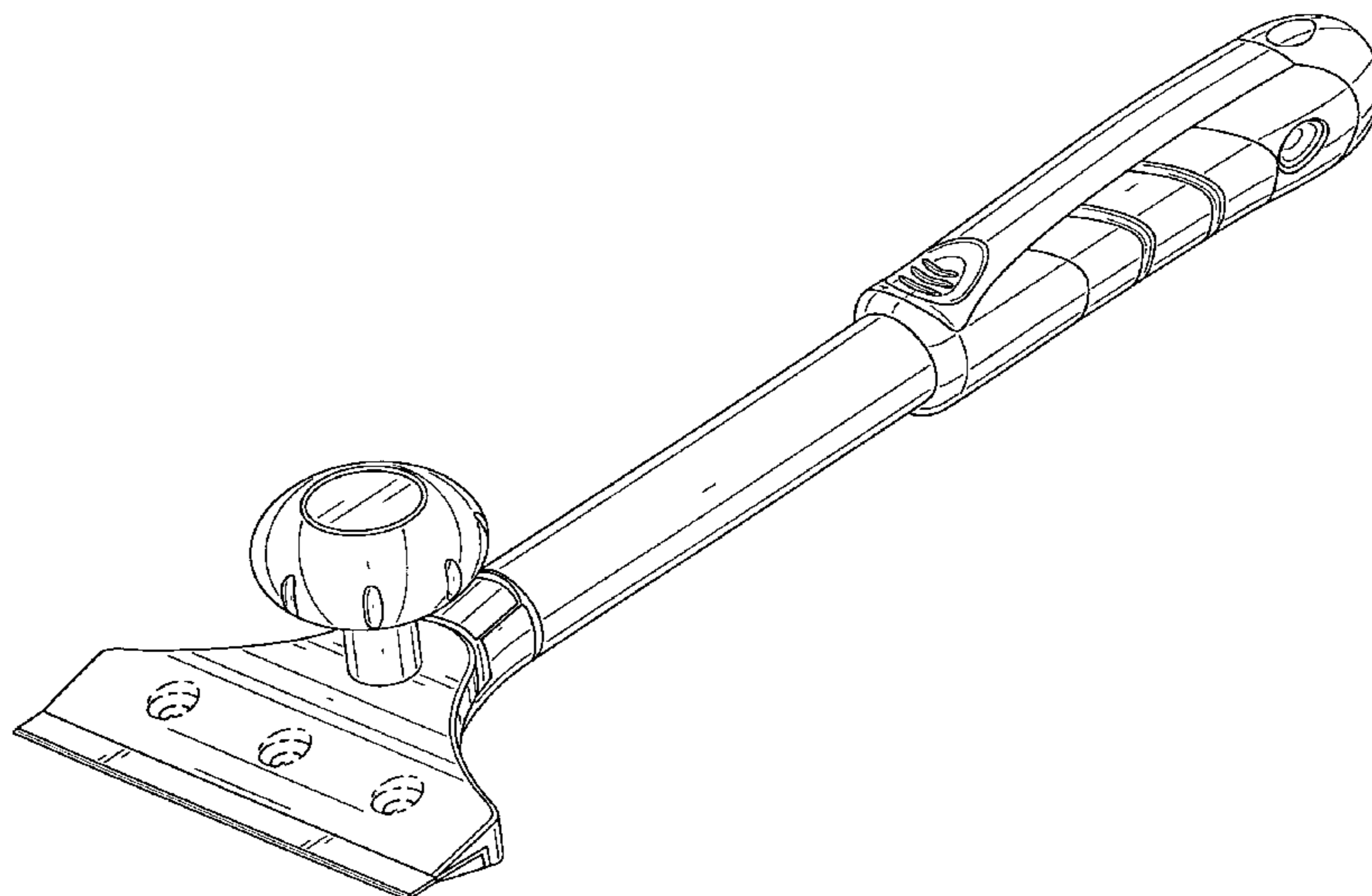
FIG. 5 is another side view of the wall stripper;

FIG. 6 is a top view of the wall stripper; and,

FIG. 7 is a bottom view of the wall stripper.

The broken lines showing various elements of the wall stripper are included for the purpose of illustrating non-claimed subject matter and forms no part of the claimed design.

**1 Claim, 5 Drawing Sheets**



# US D587,871 S

Page 2

## U.S. PATENT DOCUMENTS

4,979,300 A 12/1990 Blank et al.  
D320,921 S 10/1991 Henke et al.  
D343,265 S 1/1994 Pollak et al.  
D360,505 S 7/1995 Goodman et al.  
5,433,004 A 7/1995 Thompson et al.  
5,528,832 A 6/1996 Schmidt  
D415,325 S \* 10/1999 Hellinger et al. .... D32/49  
D420,882 S \* 2/2000 Majolo et al. .... D8/98  
D424,767 S \* 5/2000 Shea ..... D32/48  
D441,156 S 4/2001 Zegman  
6,216,306 B1 \* 4/2001 Esterson et al. .... 15/111  
6,286,215 B1 9/2001 Panaccione  
D453,251 S \* 1/2002 Gringer et al. .... D32/48  
6,334,254 B1 1/2002 Wonderley  
D459,034 S \* 6/2002 Dix et al. .... D29/112  
D463,639 S 9/2002 Panfili et al.  
D467,395 S 12/2002 McCool  
6,519,801 B1 2/2003 Chao  
D479,374 S \* 9/2003 Gringer et al. .... D32/48  
6,629,331 B2 \* 10/2003 Panfili et al. .... 15/236.06  
6,647,629 B2 11/2003 Farland  
6,715,210 B2 4/2004 Chao  
D489,851 S 5/2004 Jones et al.

6,732,395 B2 \* 5/2004 Gringer ..... 15/105  
6,742,215 B2 6/2004 Panfili et al.  
6,775,912 B2 8/2004 Panfili et al.  
6,898,855 B2 5/2005 Jones et al.  
D511,601 S \* 11/2005 Chen ..... D32/48  
D515,262 S 2/2006 Hay  
D518,934 S 4/2006 Williams  
D544,162 S \* 6/2007 Uffner et al. .... D32/46  
D557,102 S 12/2007 Perez et al.  
2005/0081318 A1 4/2005 Boutilier  
2005/0120564 A1 6/2005 Chen Lin  
2007/0074401 A1 4/2007 Myers et al.  
2007/0294850 A1 12/2007 Murphy et al.

## FOREIGN PATENT DOCUMENTS

JP 2005-224303 8/2005

## OTHER PUBLICATIONS

“Glass & Tile Scraper, 4”, retrieved from: <http://paint-and-supplies.hardwarestore.com/50-273-razor-scrapers/glass-and-tile-scraper-101956.aspx>.

“3 Inch Scrapper”, retrieved from: <http://windowfilmsupplies.com/getproduct.php?pid=19>.

\* cited by examiner

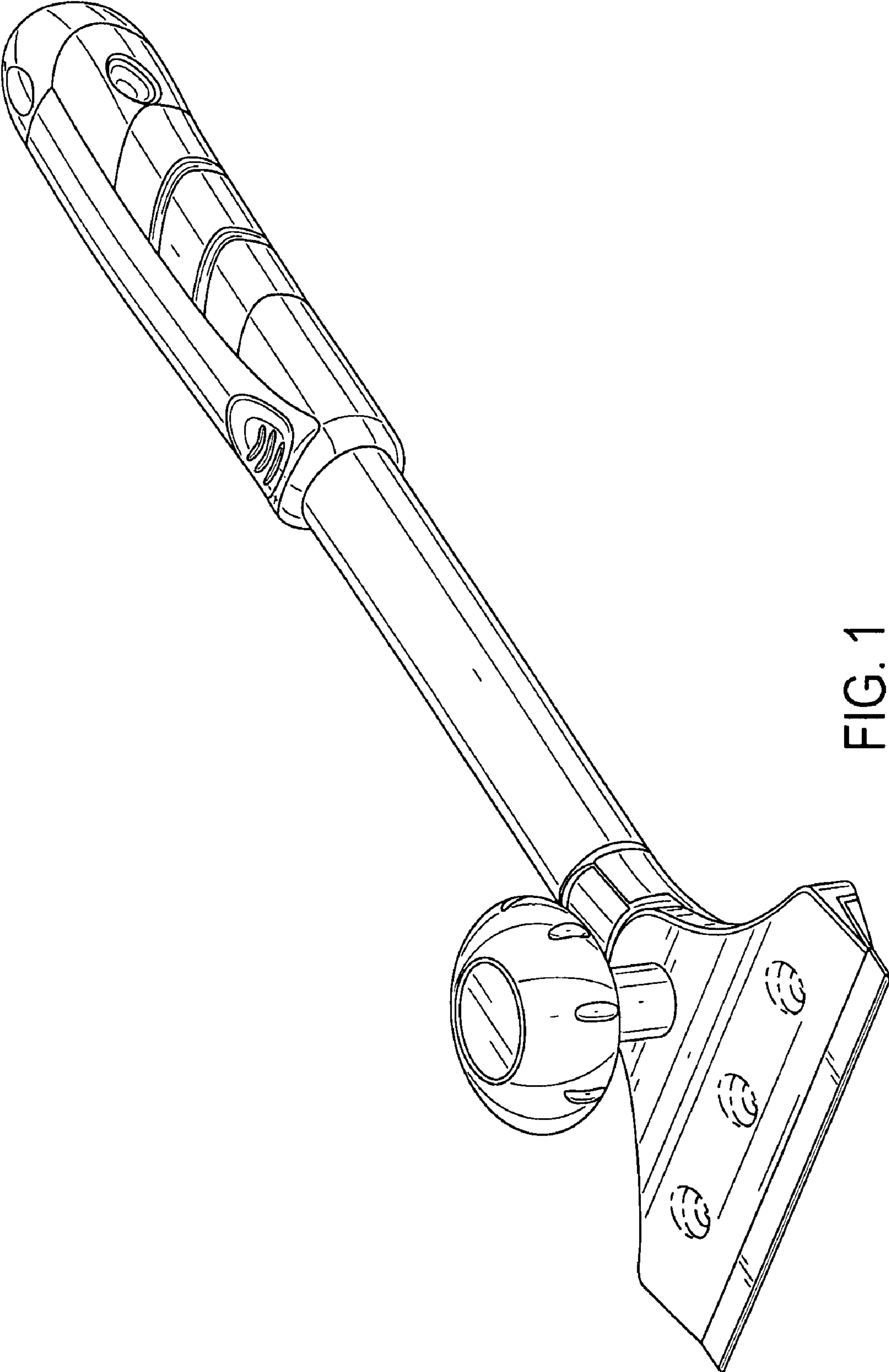


FIG. 1

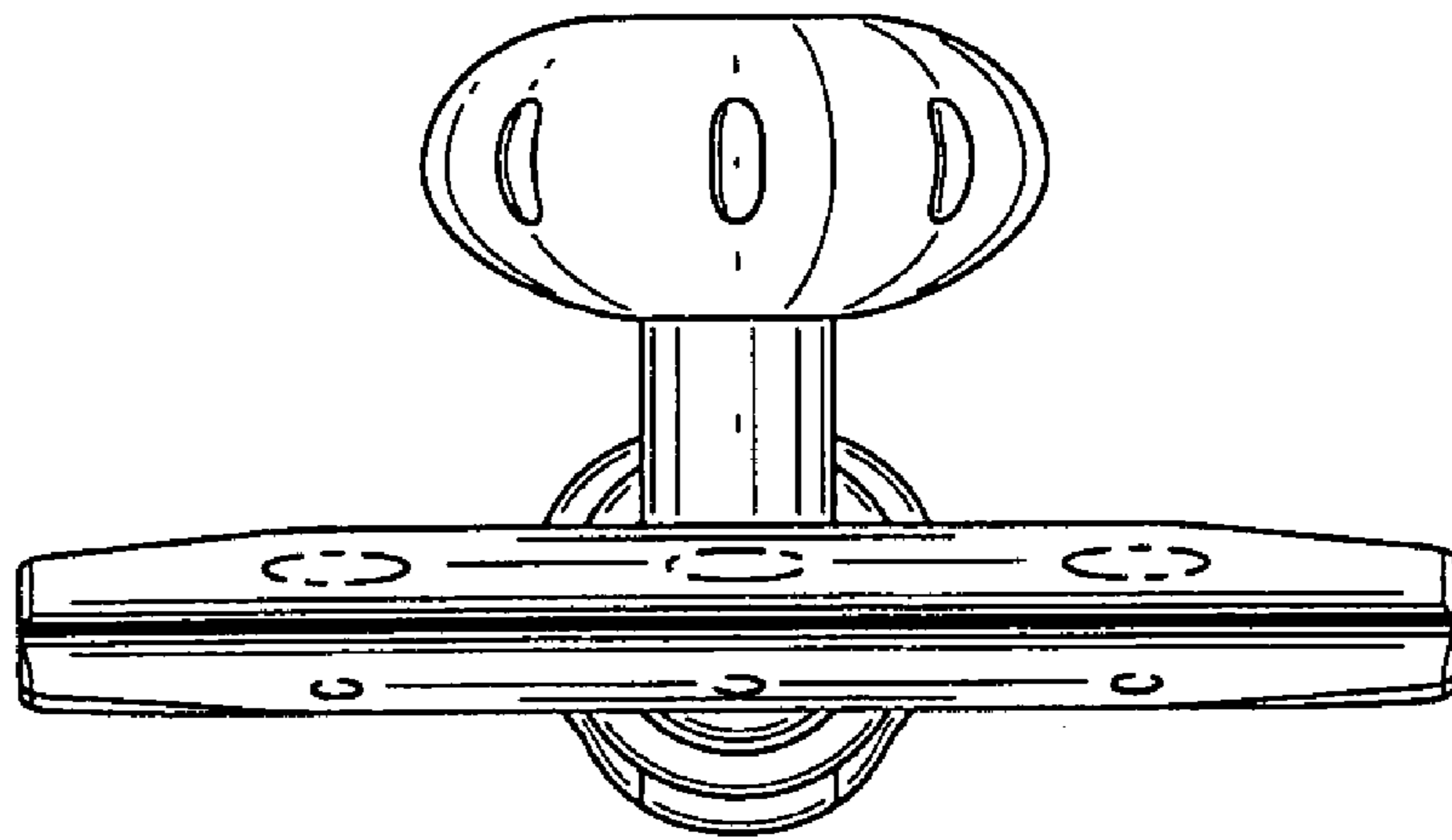


FIG. 2

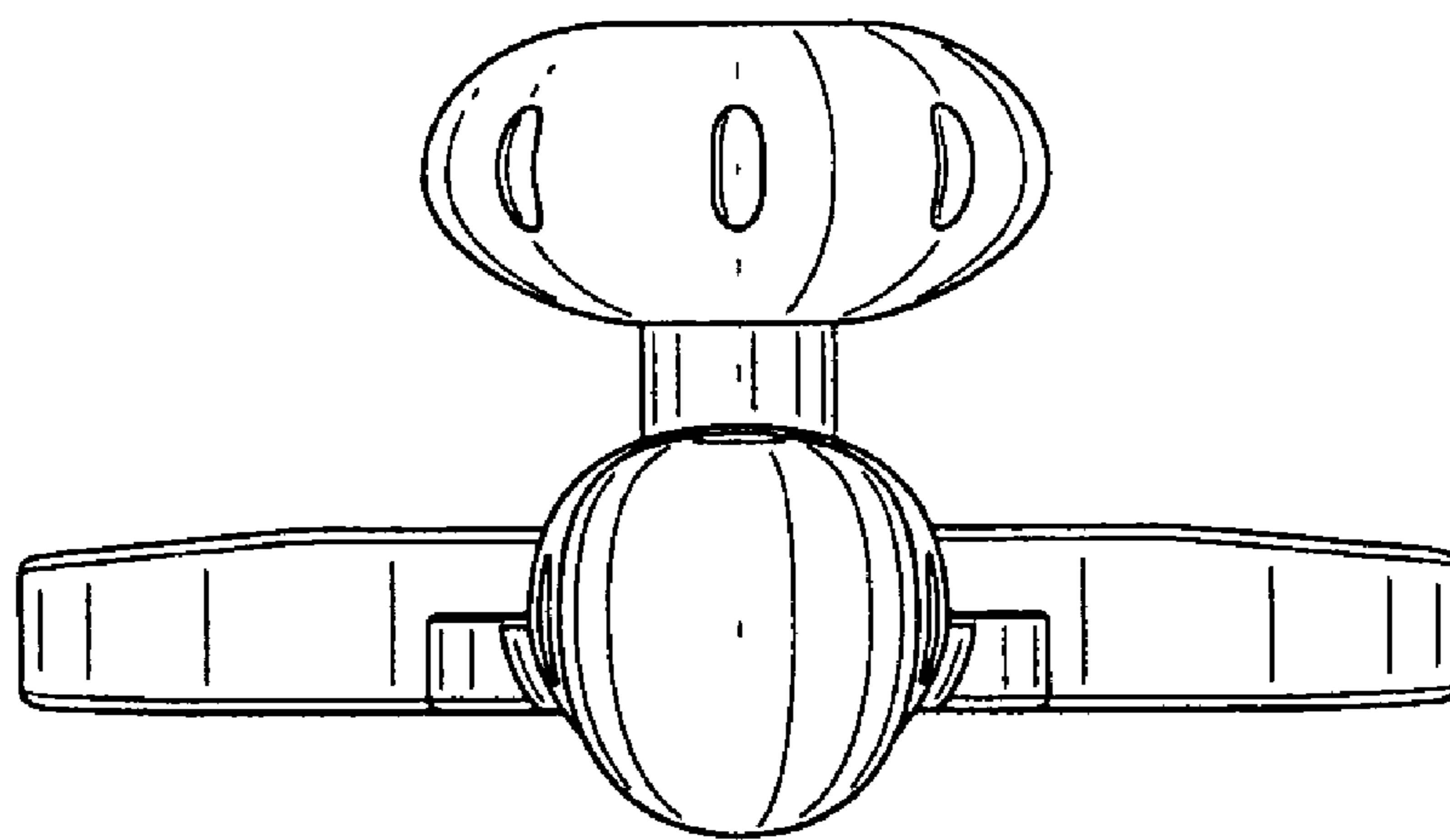


FIG. 3

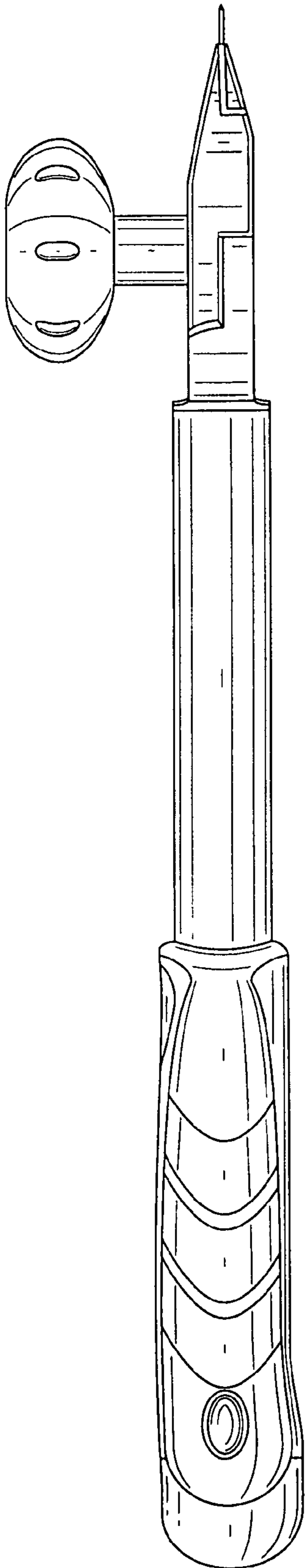


FIG. 4

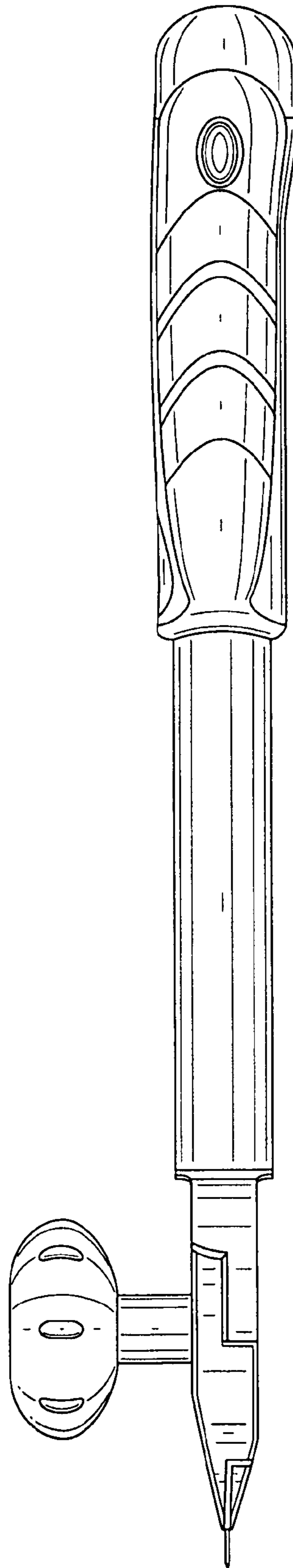


FIG. 5

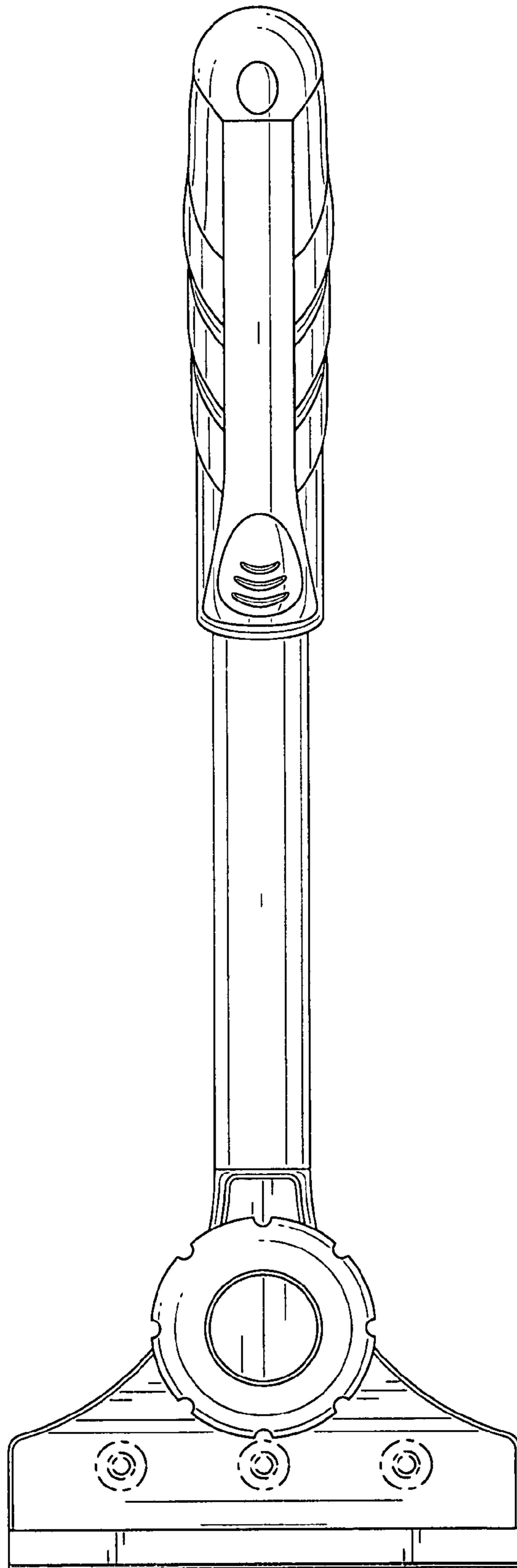


FIG. 6

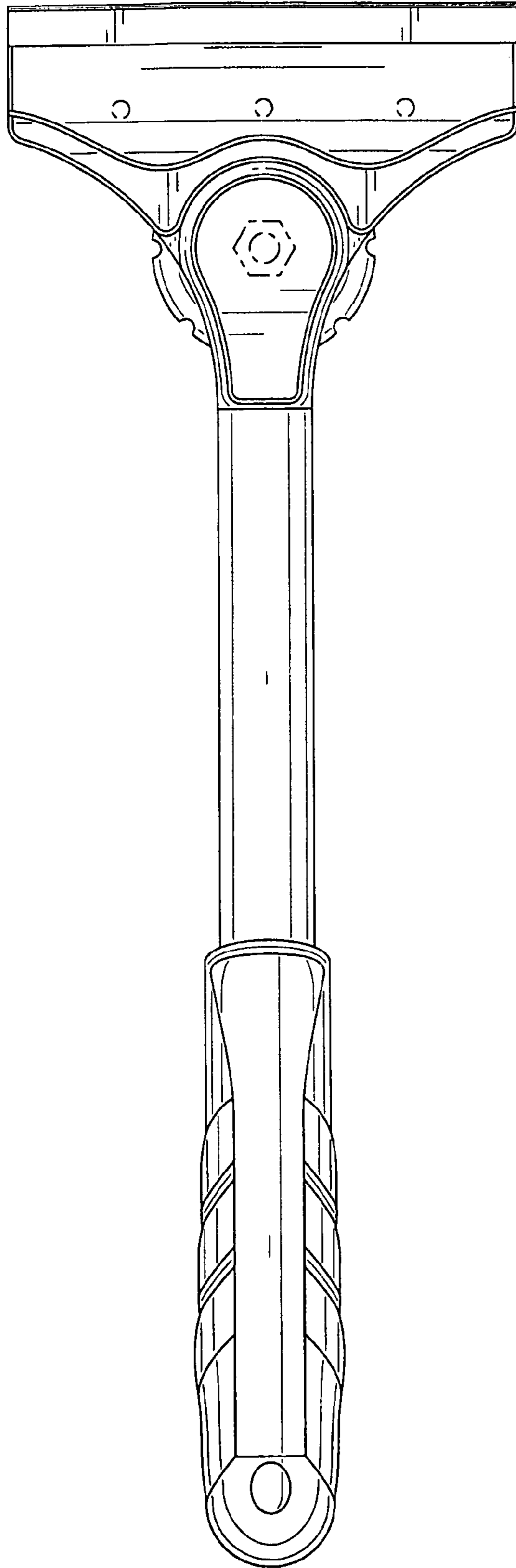


FIG. 7