



US00D587870S

(12) **United States Design Patent**
Baek et al.

(10) **Patent No.:** **US D587,870 S**
(45) **Date of Patent:** **** Mar. 3, 2009**

(54) **VACUUM CLEANER**

(75) Inventors: **Byung Kook Baek**, Kyungki-Do (KR);
Ji Young Shin, Seoul (KR)

(73) Assignee: **Samsung Electronics Co., Ltd.**, Suwon (KR)

(**) Term: **14 Years**

(21) Appl. No.: **29/321,973**

(22) Filed: **Jul. 28, 2008**

(51) **LOC (9) Cl.** **15-05**

(52) **U.S. Cl.** **D32/22**

(58) **Field of Classification Search** D32/22,
D32/30-31; 15/320, 329, 335, 340.2, 347,
15/350-353, 361, 363, 410, 412, 414, 327.1,
15/327.2, 327.4, 327.6, 415.1, 411; 55/345,
55/DIG. 3, 336, 337, 429, 343, 433, 418;
95/271; 301/7, 63.101; 280/78, 47.31, 205
See application file for complete search history.

(56) **References Cited**

U.S. PATENT DOCUMENTS

D439,379 S *	3/2001	Gammack et al.	D32/22
D462,813 S *	9/2002	Nakano et al.	D32/22
D475,820 S *	6/2003	Dyson et al.	D32/22
D510,465 S *	10/2005	Takahashi et al.	D32/22

D532,944 S *	11/2006	Choi	D32/22
D535,069 S *	1/2007	Breit	D32/22
D535,070 S *	1/2007	Shin	D32/22
D553,814 S *	10/2007	Parr et al.	D32/22
D570,561 S *	6/2008	Dyson et al.	D32/22
D573,759 S *	7/2008	Konno et al.	D32/22
2008/0282497 A1 *	11/2008	Griffith et al.	15/352
2008/0289140 A1 *	11/2008	Courtney et al.	15/353

* cited by examiner

Primary Examiner—Ruth McInroy

(74) *Attorney, Agent, or Firm*—Ladas & Parry LLP

(57) **CLAIM**

We claim the ornamental design for vacuum cleaner, as shown.

DESCRIPTION

FIG. 1 is a top, front and right-side perspective view of a vacuum cleaner showing our new design;

FIG. 2 is a front-side elevational view thereof;

FIG. 3 is a rear-side elevational view thereof;

FIG. 4 is a left-side elevational view thereof;

FIG. 5 is a right-side elevational view thereof;

FIG. 6 is a top-side elevational view thereof; and,

FIG. 7 is a bottom-side elevational view thereof.

1 Claim, 6 Drawing Sheets

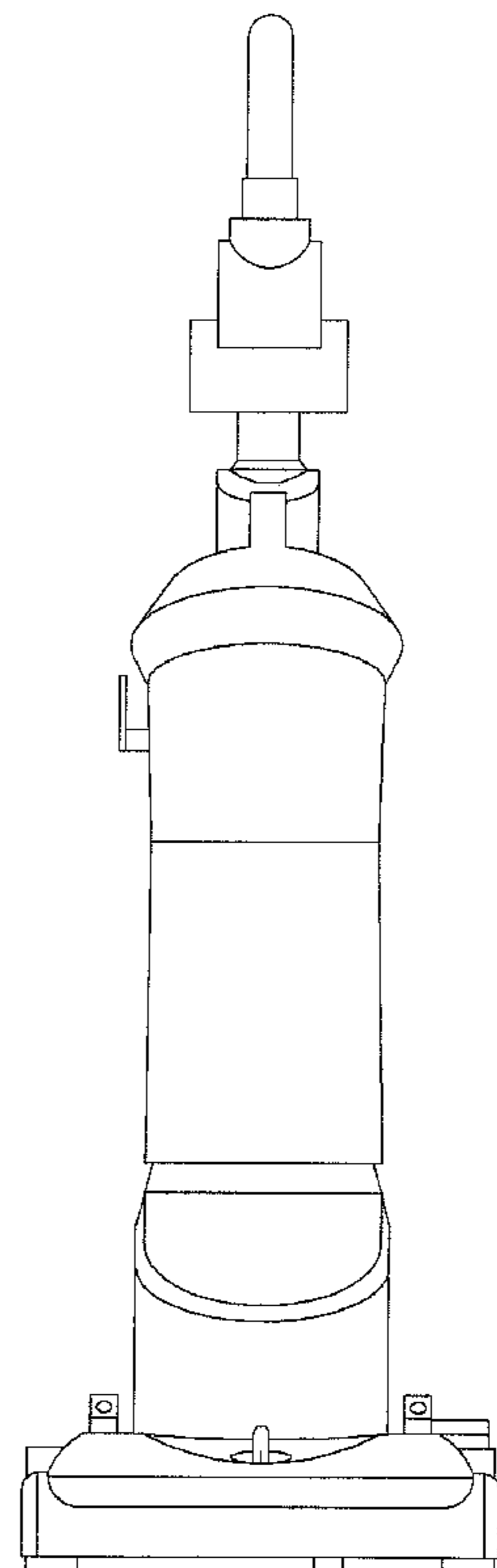
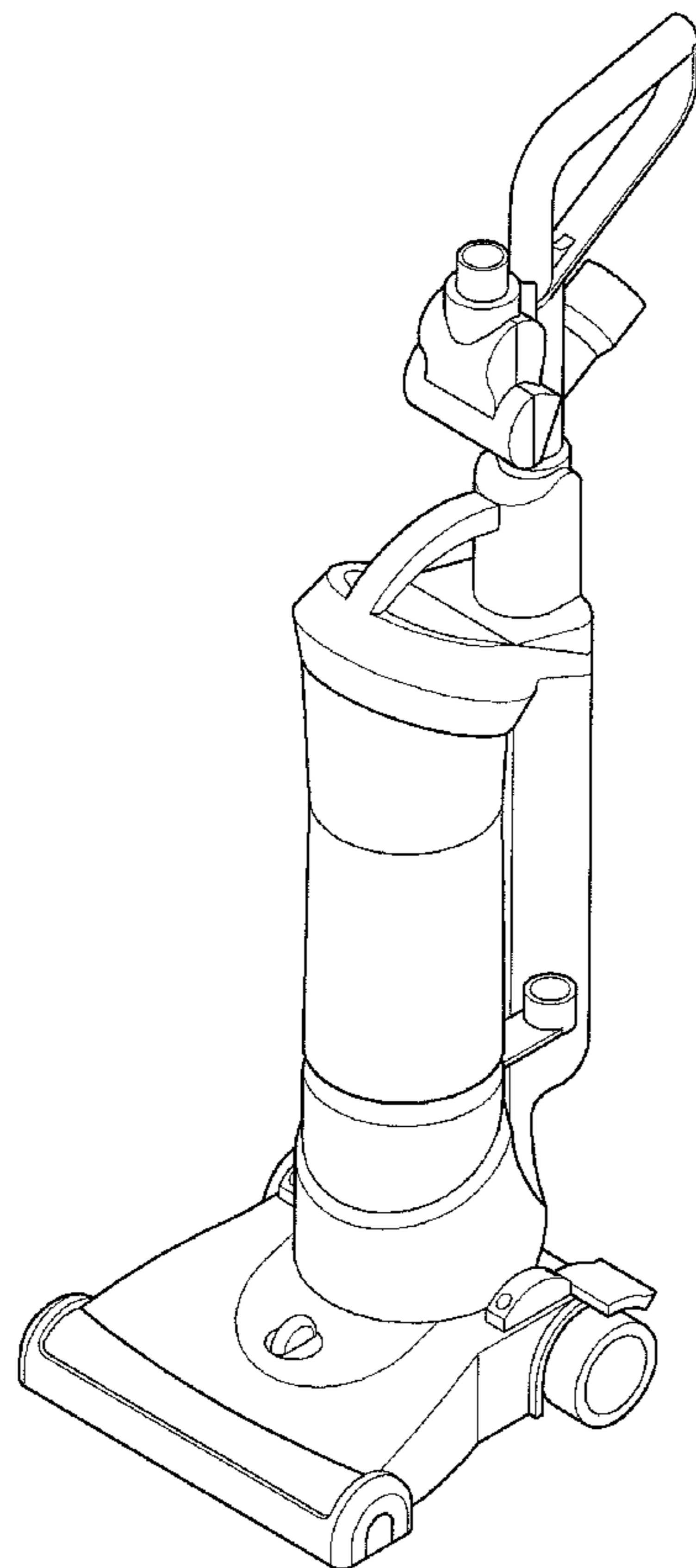


FIG. 1

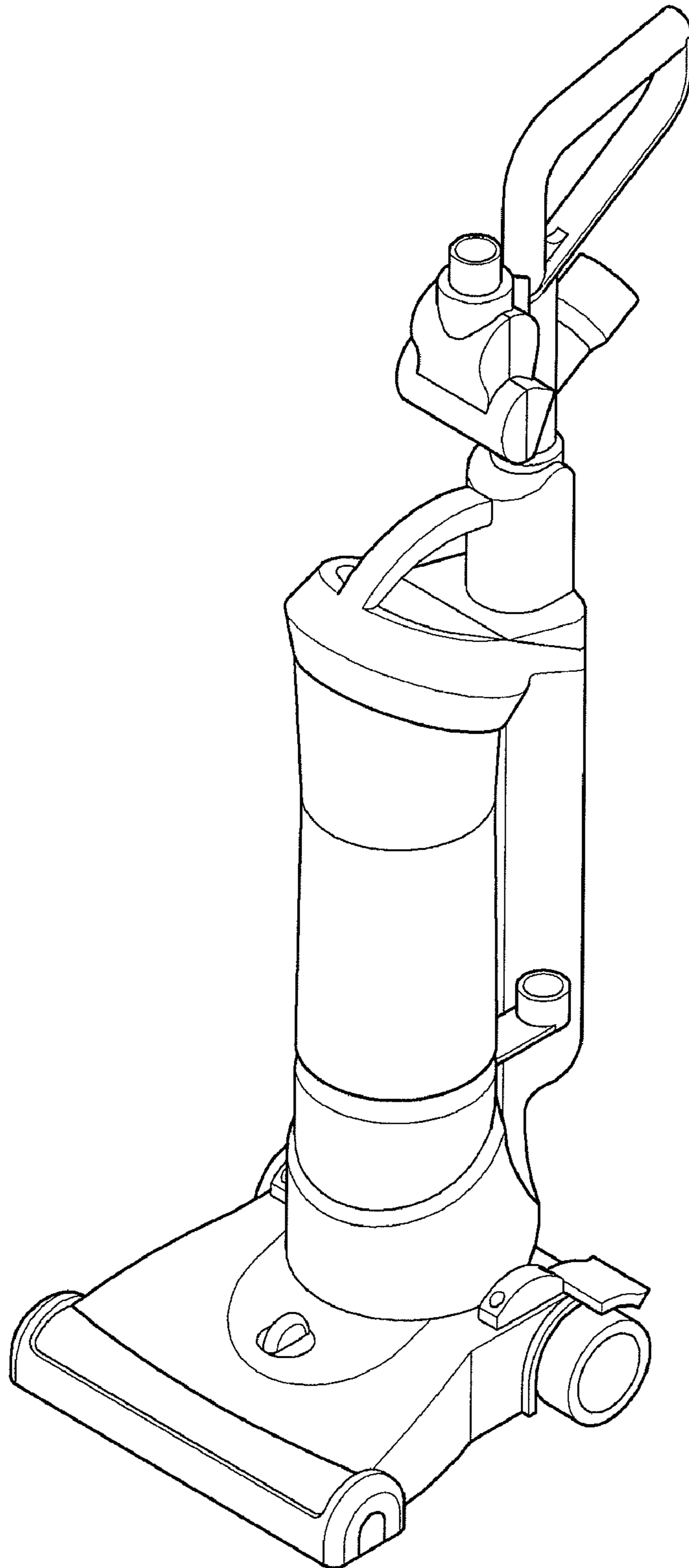


FIG. 2

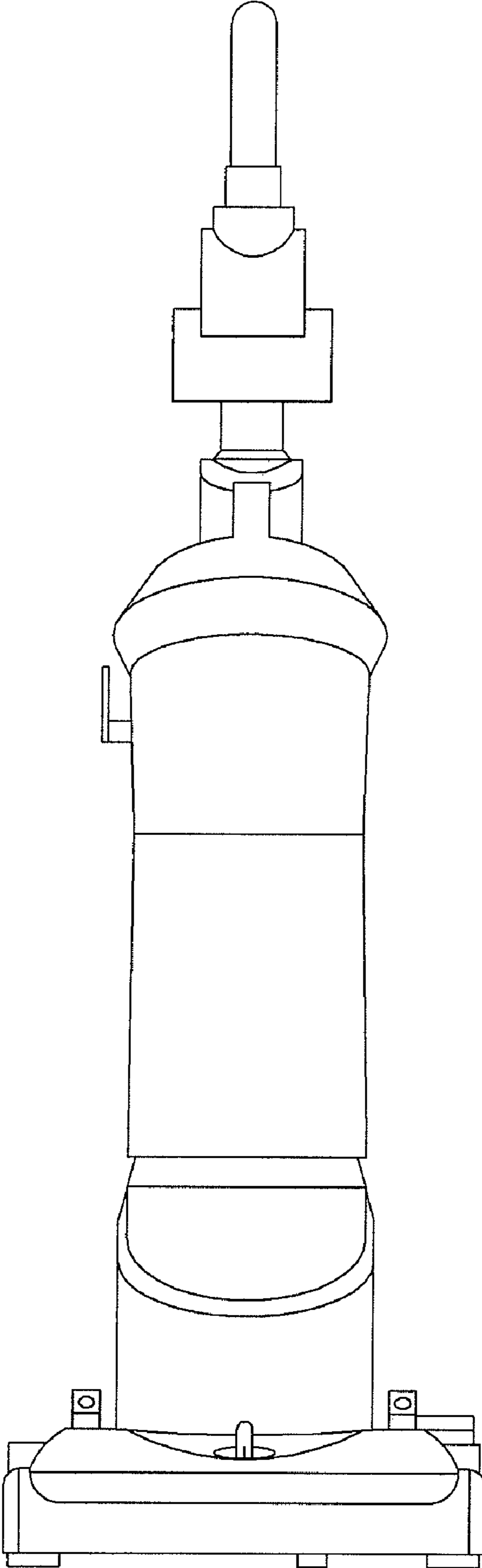


FIG. 3

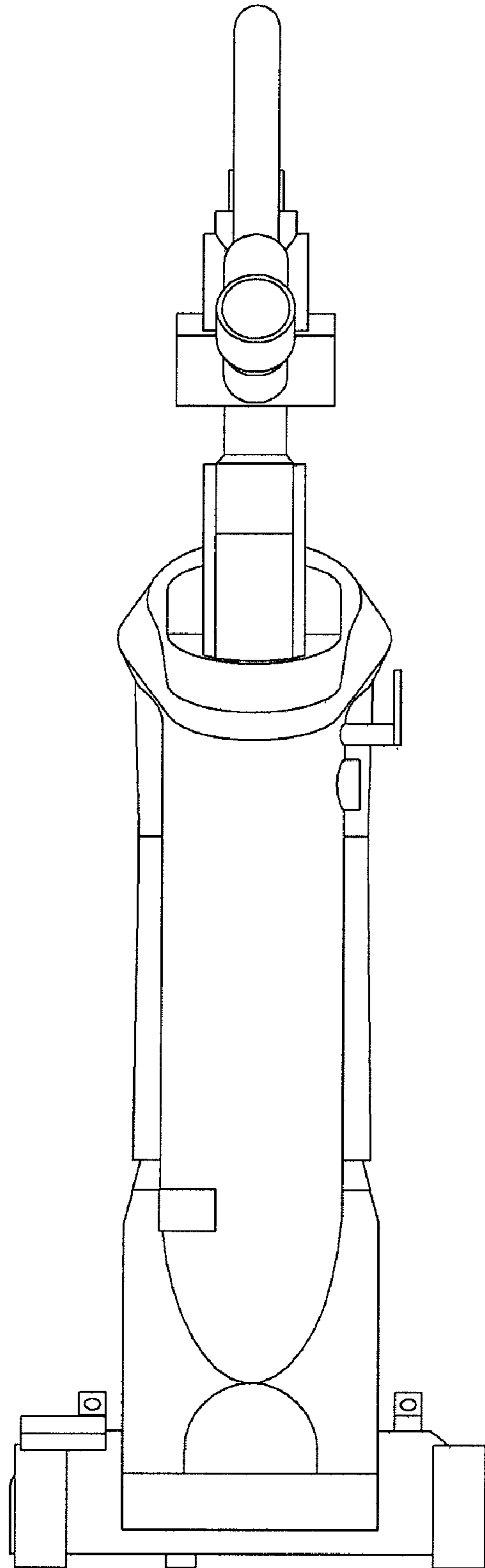


FIG. 4

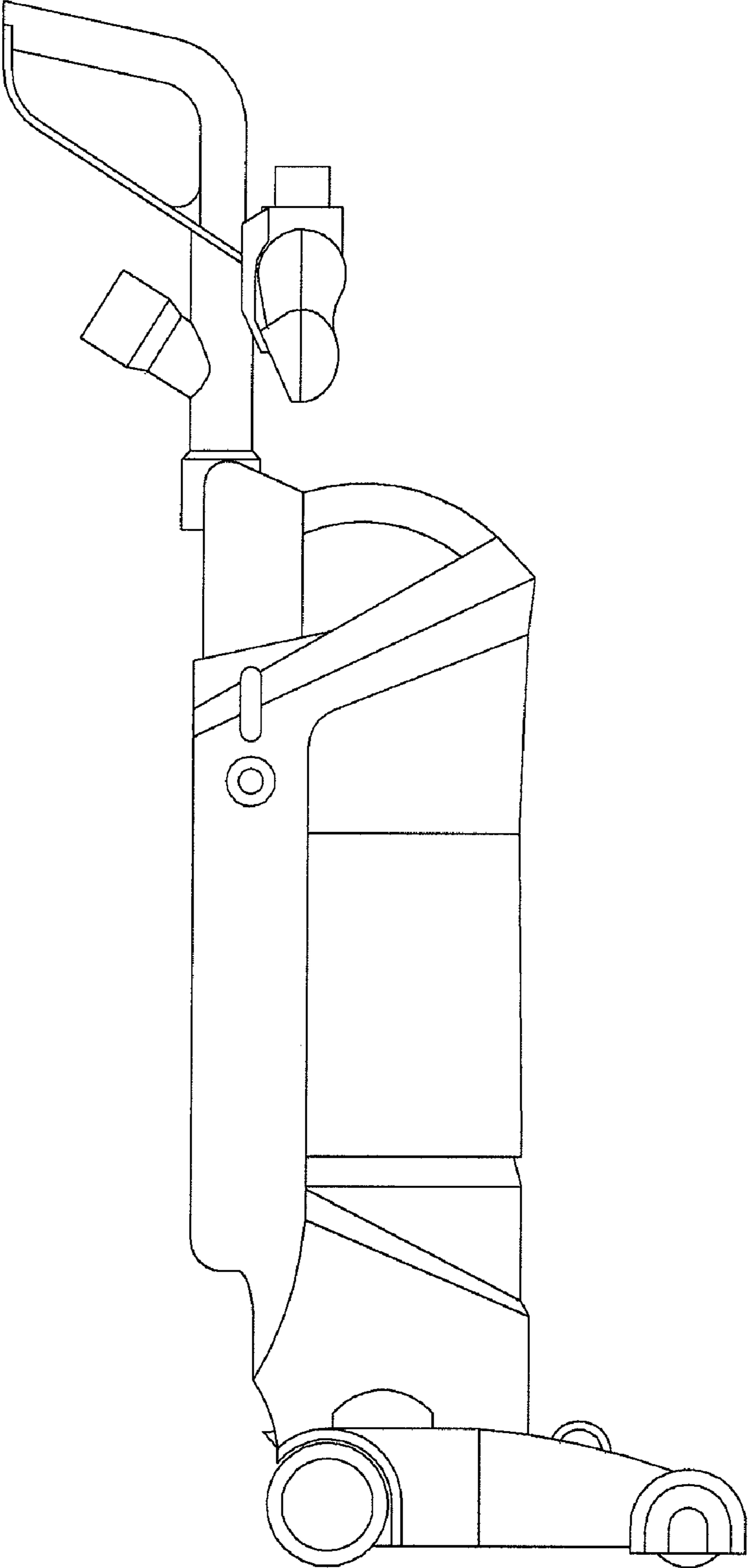


FIG. 5

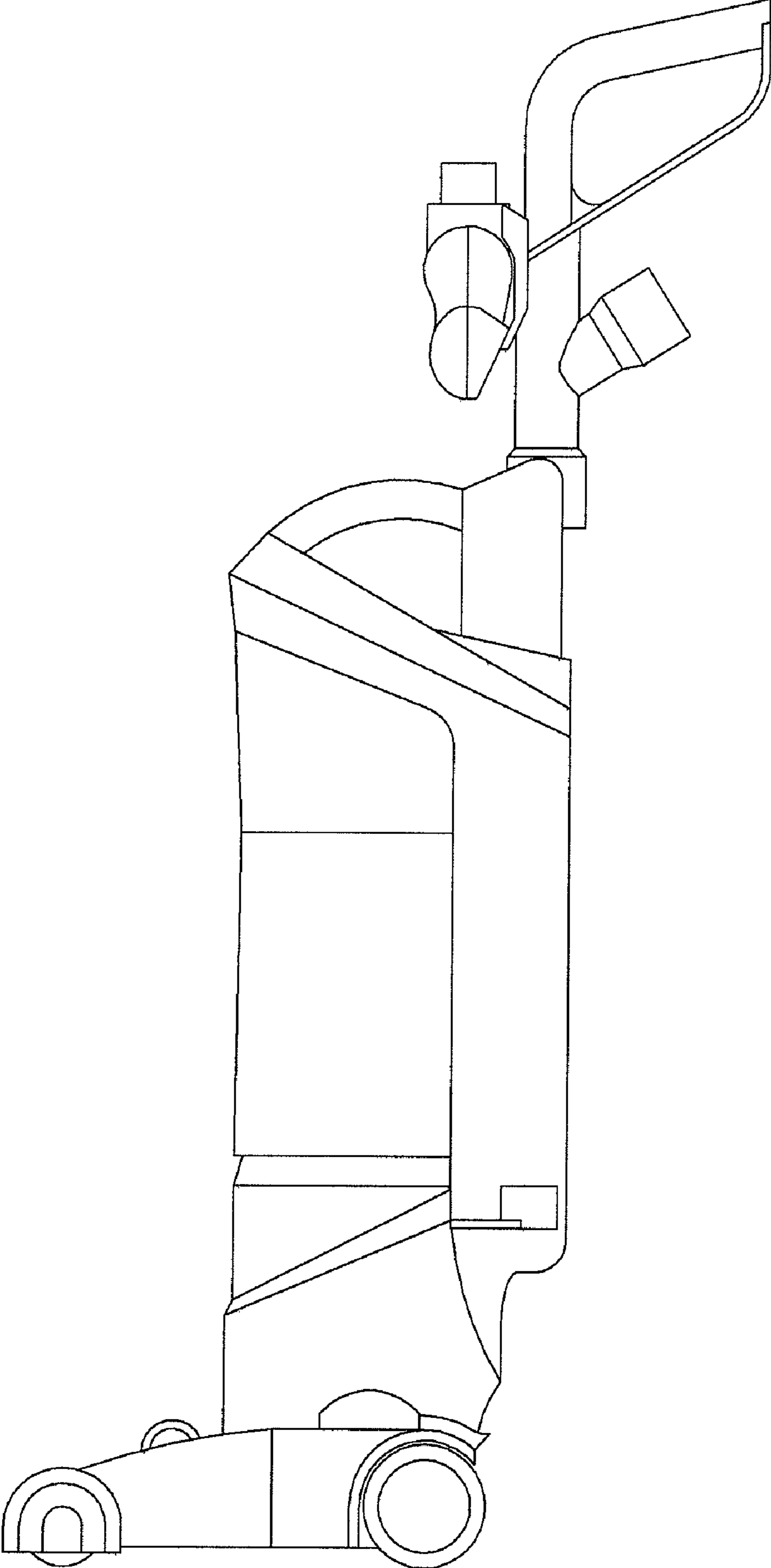


FIG. 6

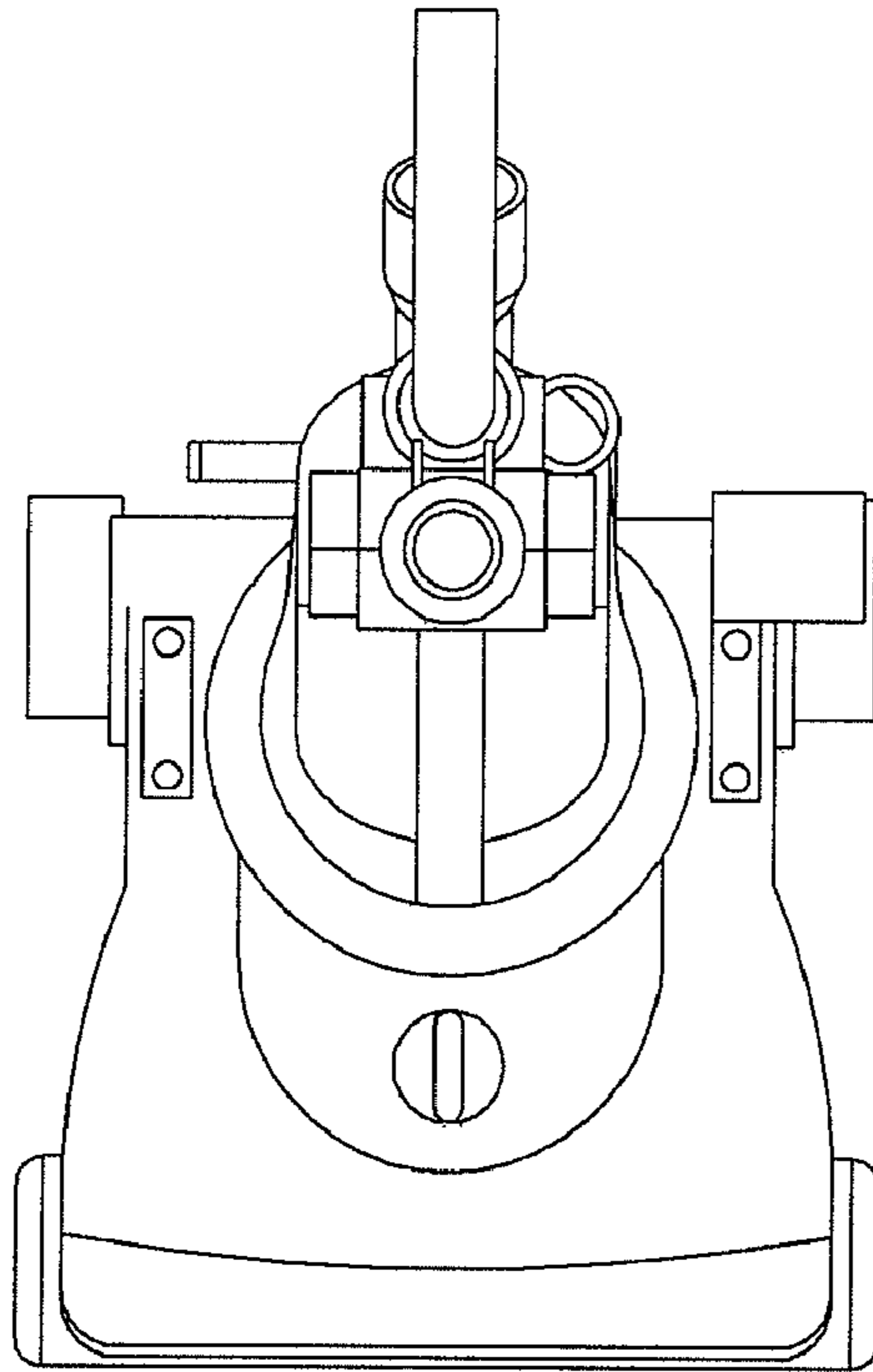


FIG. 7

