



US00D587868S

(12) **United States Design Patent**  
**DiPasquale**

(10) **Patent No.:** **US D587,868 S**  
(45) **Date of Patent:** **\*\* Mar. 3, 2009**

(54) **VACUUM**  
(75) Inventor: **Kathy E. DiPasquale**, Baltimore, MD (US)  
(73) Assignee: **Black & Decker Inc.**, Newark, DE (US)  
(\*\*) Term: **14 Years**  
(21) Appl. No.: **29/265,867**  
(22) Filed: **Sep. 8, 2006**  
(51) **LOC (9) Cl.** ..... **15-05**  
(52) **U.S. Cl.** ..... **D32/21; D32/22**  
(58) **Field of Classification Search** ..... D32/21, D32/23-24, 31, 15-16; D23/225; 15/320-321, 15/353, 323, 327.1-327.7, 329, 339, 412, 15/340.2, 344, 347; 55/DIG. 2  
See application file for complete search history.

EP	000040175-0001	11/2003
EP	000207956-0001	10/2004
EP	000241419-0001	1/2005
EP	000283072-0002	3/2005
EP	000283072-0003	3/2005
EP	000319652-0001	5/2005
EP	000323787-0001	5/2005
EP	000362959-0001	8/2005
EP	000364591-0004	8/2005
EP	000368105-0002	8/2005
EP	000368105-0003	8/2005
EP	000401922-0001	9/2005
EP	000556568-0015	* 6/2006
EP	000556568-0016	* 6/2006
EP	000556568-0017	* 6/2006
EP	000556568-0018	* 6/2006
EP	000528559-0001	7/2006
EP	000556568-0001	8/2006
EP	000556568-0002	8/2006
EP	000556568-0003	8/2006
EP	000556568-0004	8/2006
EP	000556568-0005	8/2006
EP	000556568-0006	8/2006

(56) **References Cited**

**U.S. PATENT DOCUMENTS**

D253,472 S *	11/1979	Cannon et al.	.....	D32/23
D255,357 S *	6/1980	Brooks et al.	.....	D32/23
D318,543 S *	7/1991	Shero	.....	D32/23
D338,292 S *	8/1993	Schmitz et al.	.....	D32/21
D381,779 S *	7/1997	Pritchett et al.	.....	D32/21
D422,386 S *	4/2000	Jaros et al.	.....	D32/21
D446,612 S *	8/2001	Kohler	.....	D32/21
D521,700 S *	5/2006	Griffin	.....	D32/23
D528,718 S *	9/2006	Tomasiak et al.	.....	D32/21
D549,903 S *	8/2007	Eccardt et al.	.....	D32/21

**FOREIGN PATENT DOCUMENTS**

CH	DM 042109	11/1997
CH	DM 042110	11/1997
DE	M8907254	10/1989
DE	M9101412.3	2/1991
DE	M9202726	10/1992
DE	M9304821.1	6/1993
DE	49810120.7	10/1998
DE	40200027.7	1/2002
DE	40405855.8	10/2004
DM	042110	11/1997

(Continued)

*Primary Examiner*—Ruth McInroy  
(74) *Attorney, Agent, or Firm*—Scott B. Markow; Adan Ayala

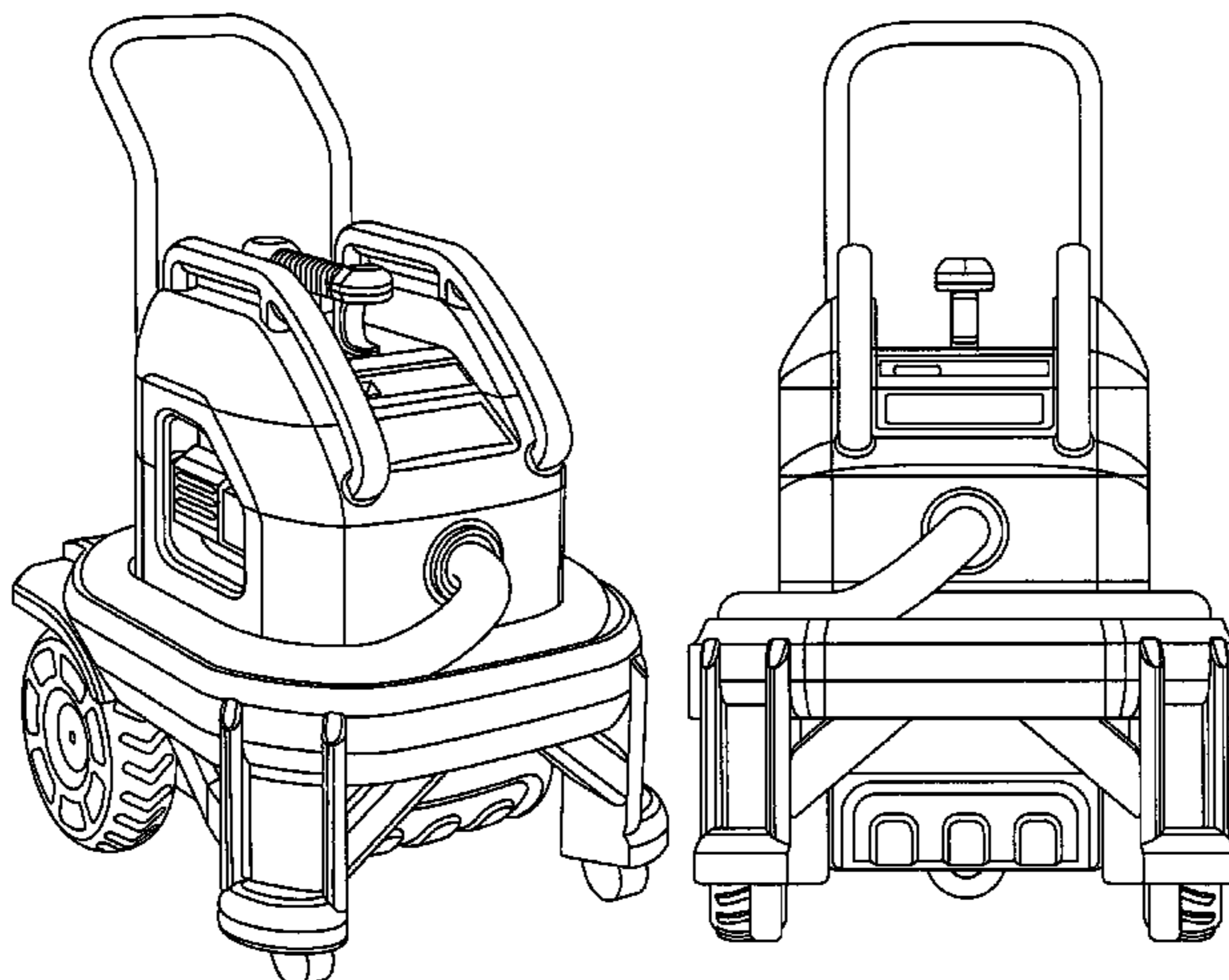
(57) **CLAIM**

The ornamental design for a vacuum, as shown and described.

**DESCRIPTION**

FIG. 1 is a left/front perspective view of the vacuum.  
FIG. 2 is a right/rear perspective view thereof.  
FIG. 3 is a top view thereof.  
FIG. 4 is a bottom view thereof.  
FIG. 5 is a rear view thereof.  
FIG. 6 is a front view thereof.  
FIG. 7 is a left side view thereof; and,  
FIG. 8 is a right side view thereof.

**1 Claim, 8 Drawing Sheets**



FOREIGN PATENT DOCUMENTS

EP	000556568-0007	8/2006
EP	000556568-0008	8/2006
EP	000556568-0009	8/2006
EP	000556568-0010	8/2006
EP	000556568-0011	8/2006
EP	000556568-0012	8/2006
EP	000556568-0013	8/2006
EP	000556568-0014	8/2006
EP	000556931-0001	8/2006
EP	000556931-0005	8/2006
EP	000574736-0001	10/2006

EP	000582192-0008	10/2006
EP	000603816-0001	11/2006
EP	000674130-0001	3/2007
EP	000693361-0001	5/2007
EP	000678776-0001	6/2007
EP	000824123-0009	11/2007
EP	000824123-0003	2/2008
EP	000824123-0004	2/2008
EP	000838834-0001	2/2008
EP	000502661-0001	3/2008
EP	000824123-0008	11/2008

\* cited by examiner

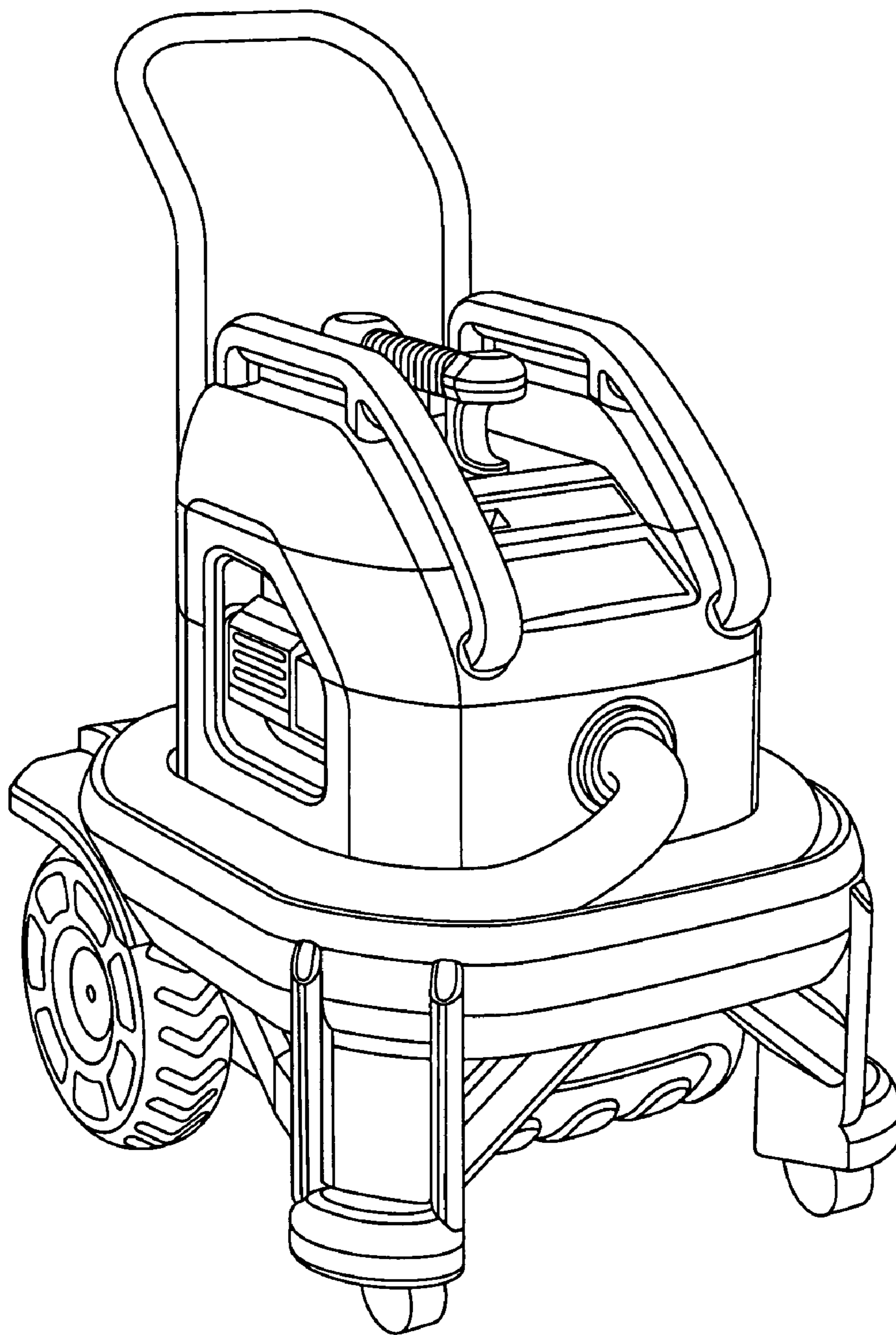


FIG. 1

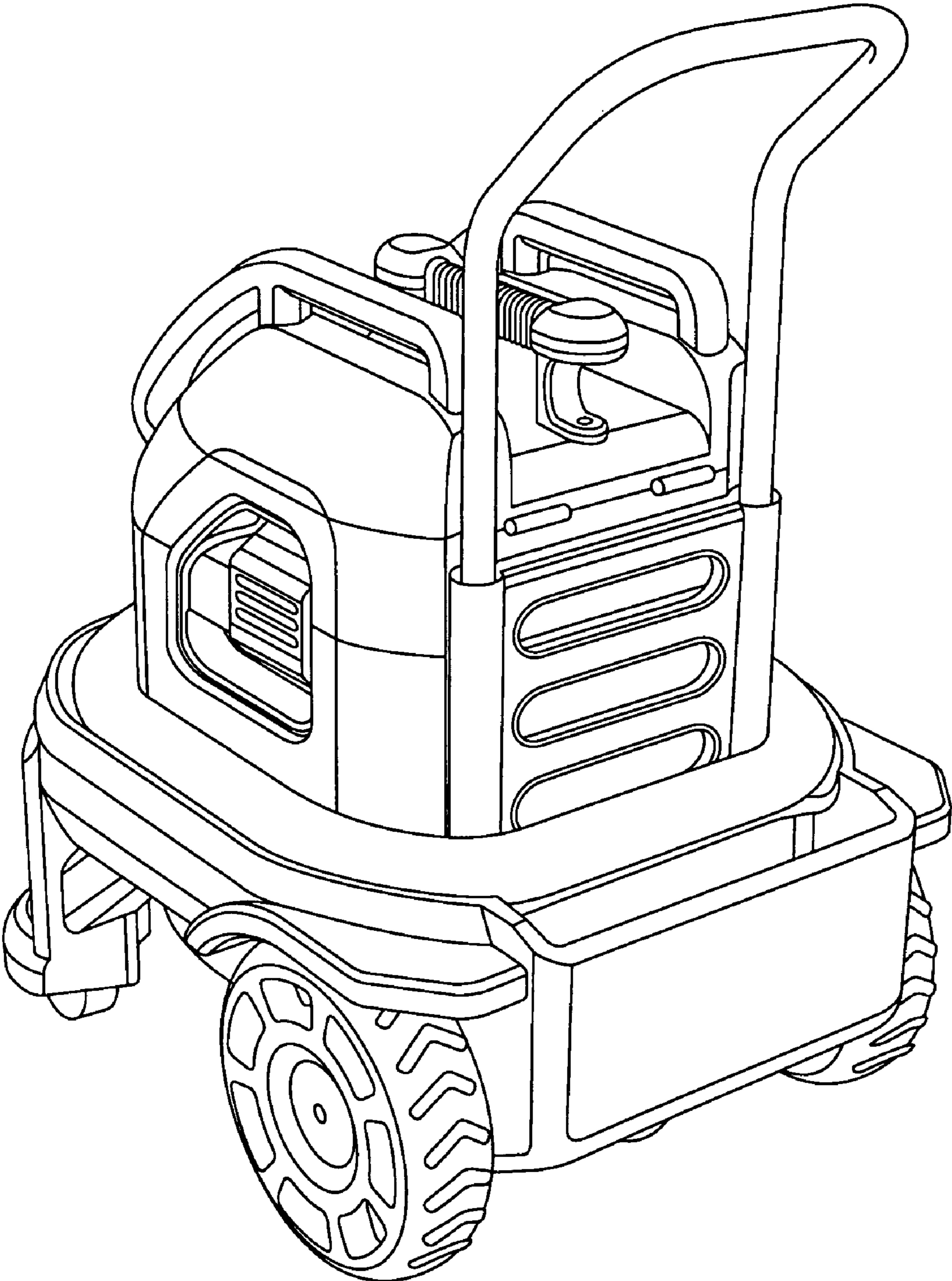


FIG. 2



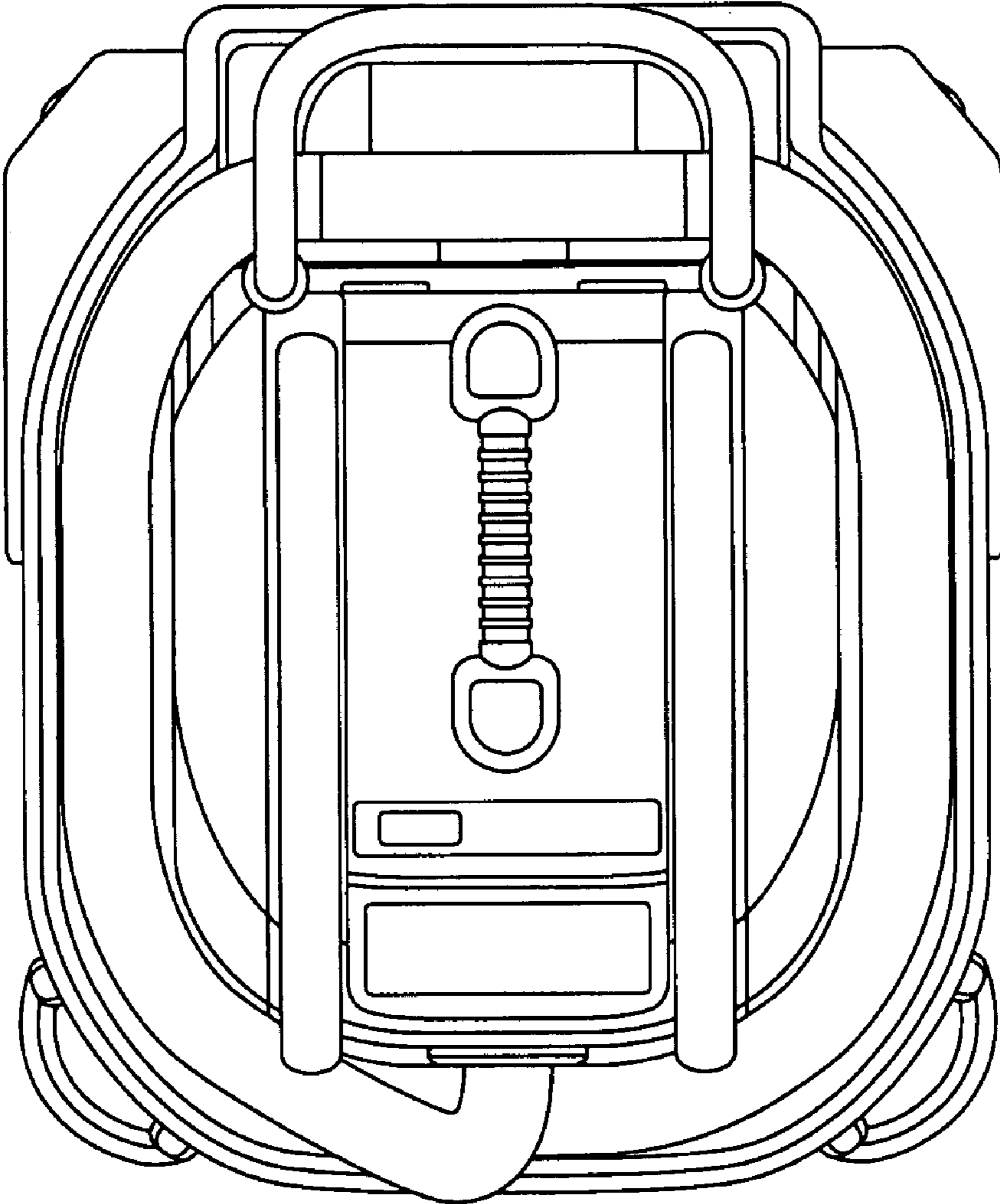


FIG. 3

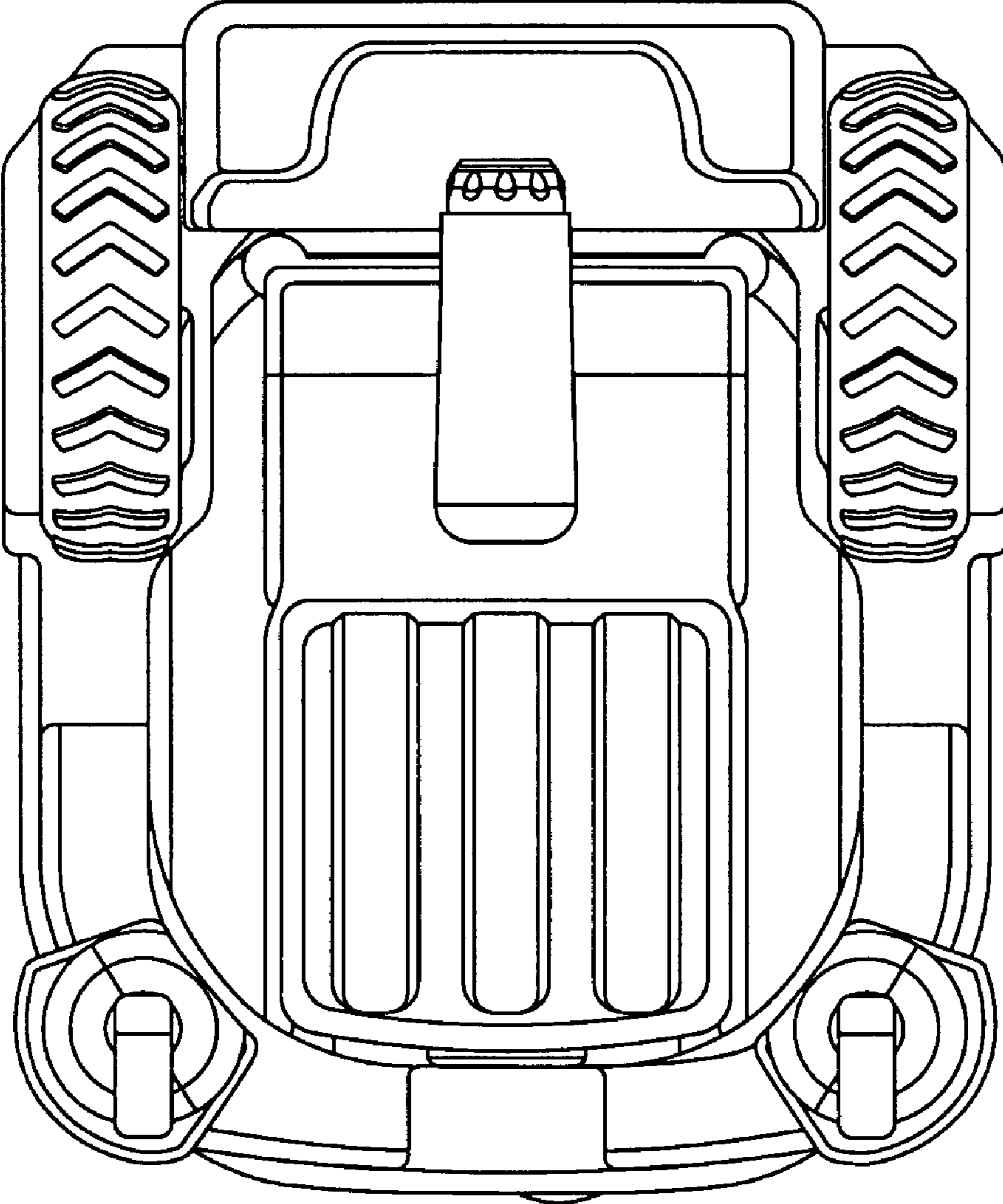


FIG. 4

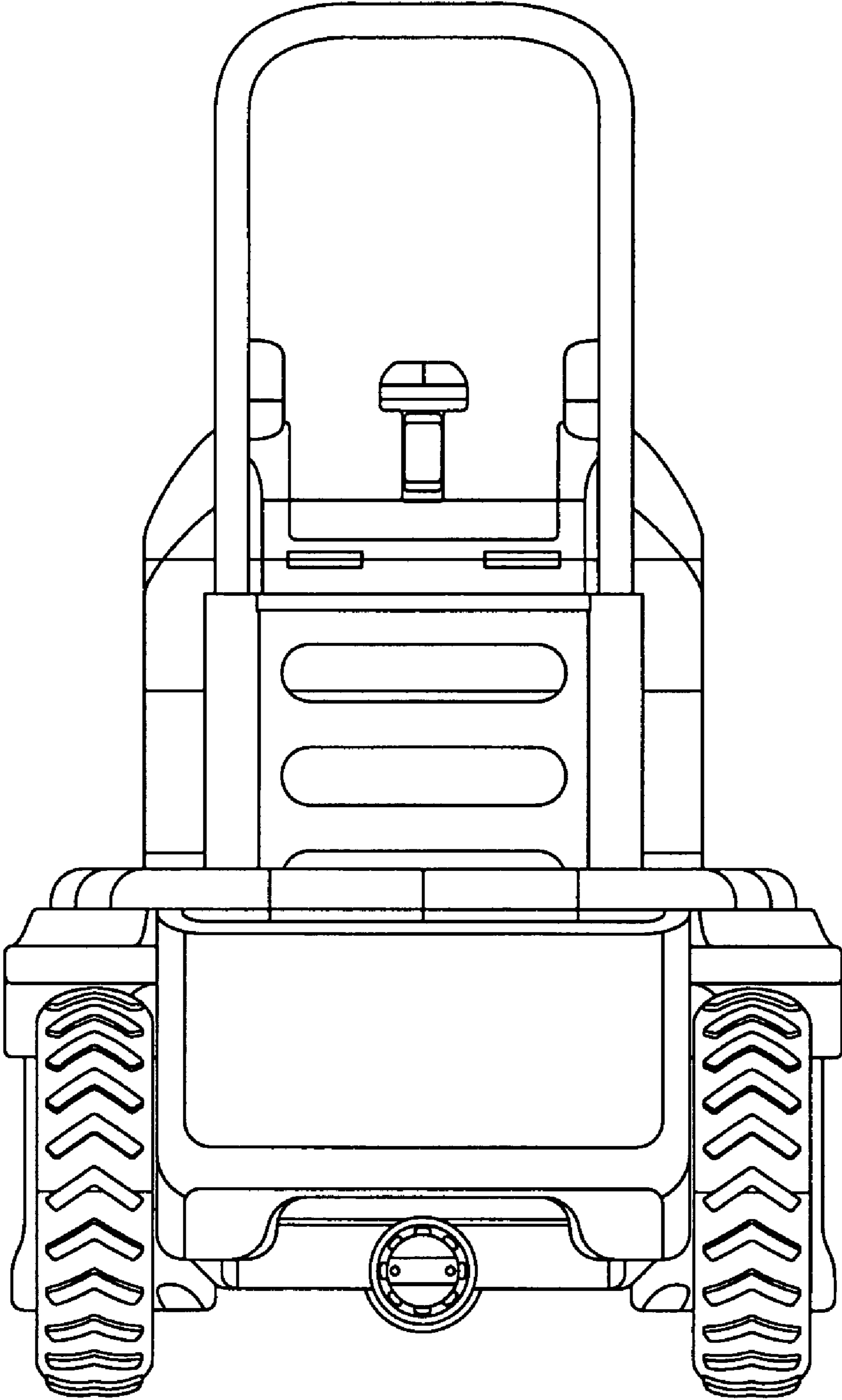


FIG. 5

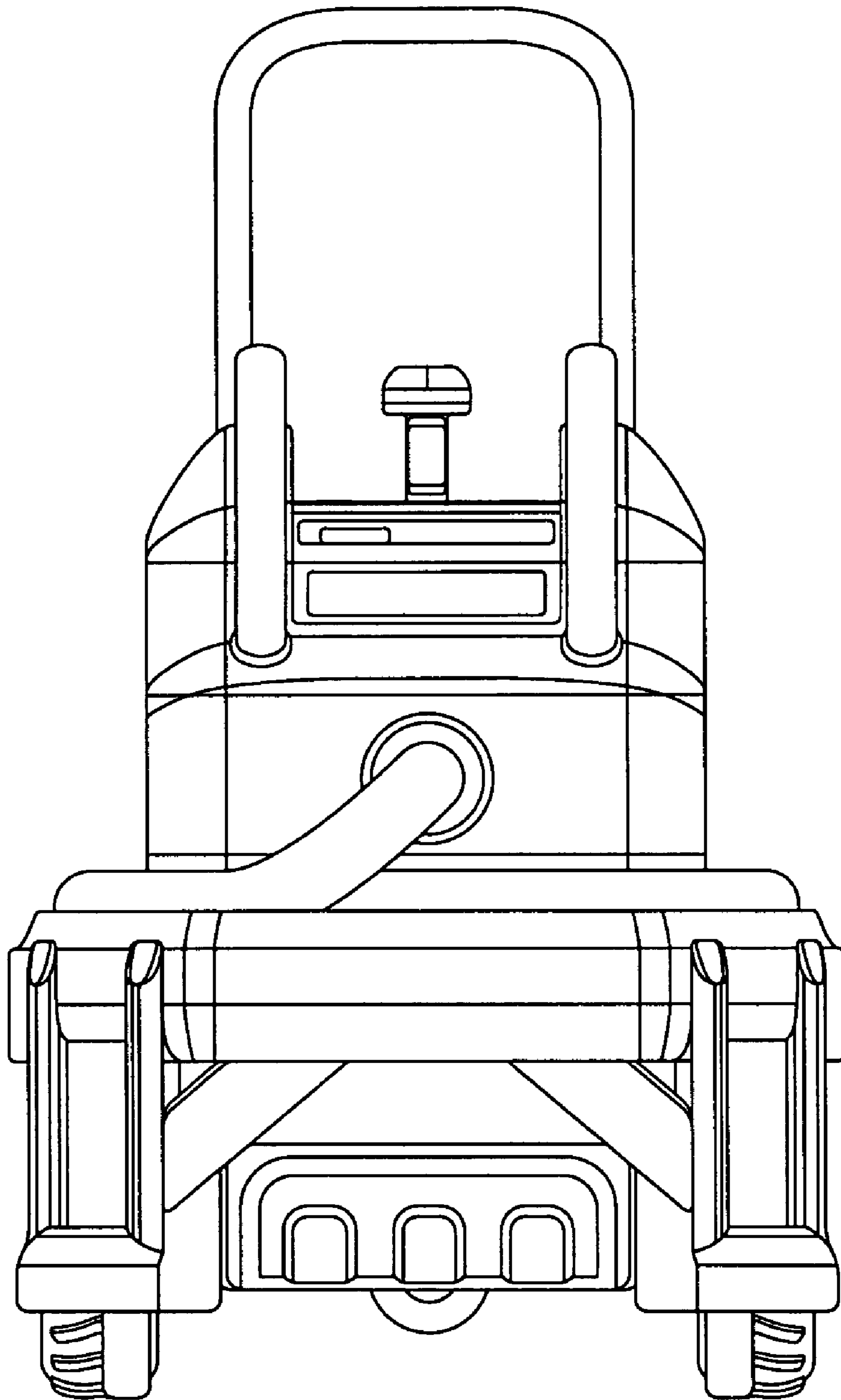


FIG. 6



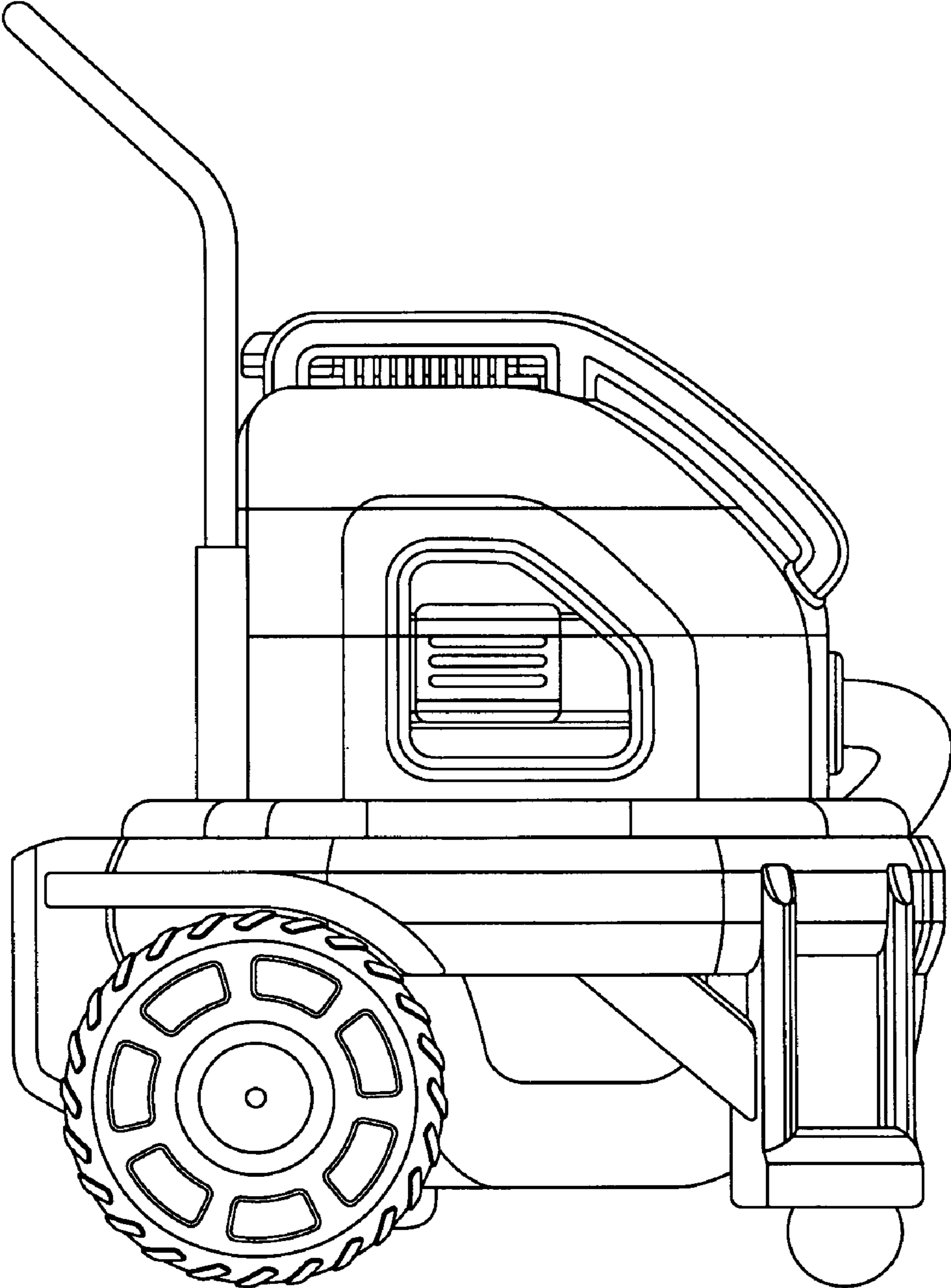


FIG. 7

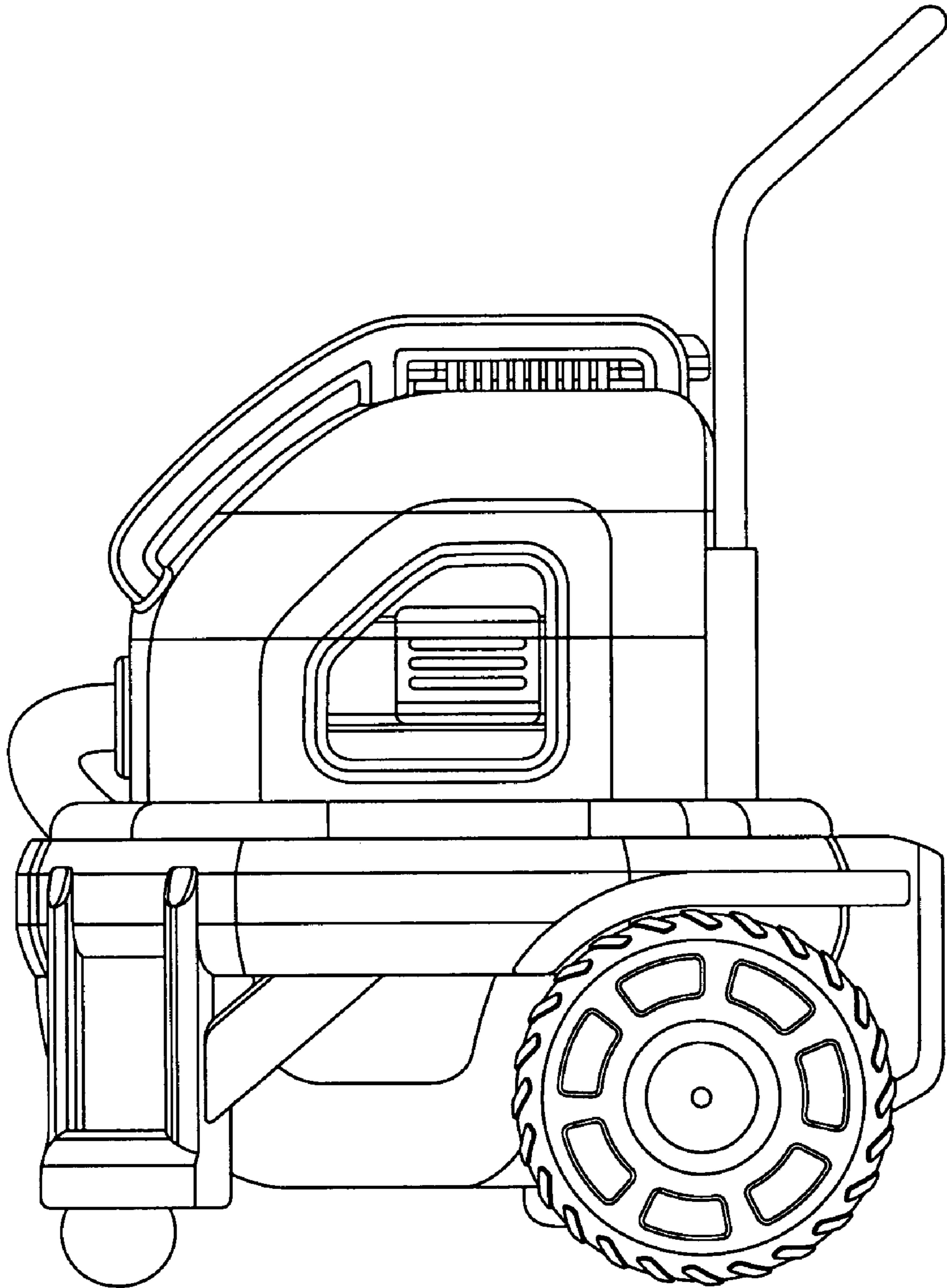


FIG. 8