



US00D587866S

(12) **United States Design Patent**
Mangano

(10) **Patent No.:** **US D587,866 S**
(45) **Date of Patent:** **** Mar. 3, 2009**

(54) **STEAMER WITH WIDER STEAMING TOP**

(75) Inventor: **Joy Mangano**, St. James, NY (US)

(73) Assignee: **Ingenious Designs LLC**, Edgewood, NY (US)

(**) Term: **14 Years**

(21) Appl. No.: **29/284,302**

(22) Filed: **Sep. 5, 2007**

(51) **LOC (9) Cl.** **15-05**

(52) **U.S. Cl.** **D32/17**

(58) **Field of Classification Search** D32/17-18,
D32/21, 31; 15/329, 344, 320-321, 415.1,
15/420, 421, 422; 392/324-325, 403-406,
392/383-384, 476-477; 68/222, 5 R, 5 A,
68/5 C; 38/85, 69; 134/18

See application file for complete search history.

(56) **References Cited**

U.S. PATENT DOCUMENTS

D233,209 S *	10/1974	Terraillon	D32/17
D294,987 S *	3/1988	Muller et al.	D32/17
D307,341 S *	4/1990	Tsuji et al.	D32/17
5,123,266 A *	6/1992	Tabraham	68/222
5,420,961 A *	5/1995	Walker	392/404
D436,424 S *	1/2001	Buzzi	D32/17
D447,841 S *	9/2001	Rosa	D32/17
D452,051 S *	12/2001	Antonio	D32/17

D481,183 S *	10/2003	Mangano	D32/35
D482,505 S *	11/2003	Chow	D32/17
D485,651 S *	1/2004	Lin	D32/17
D488,269 S *	4/2004	Tsai	D32/17
D519,694 S *	4/2006	Rosenzweig et al.	D32/17
D525,399 S *	7/2006	Alday Lesaga	D32/17
D563,063 S *	2/2008	Mangano	D32/17

* cited by examiner

Primary Examiner—Ruth McInroy

(74) *Attorney, Agent, or Firm*—Kenyon & Kenyon LLP

(57) **CLAIM**

The ornamental design for a steamer with wider steaming top, as shown and described.

DESCRIPTION

FIG. 1 is a rear perspective view of a steamer with wider steaming top showing my new design, the undisclosed opposite side being a mirror image;

FIG. 2 is a side elevational view of the steamer of FIG. 1, the undisclosed opposite side being a mirror image;

FIG. 3 is a top plan view of the steamer of FIG. 1;

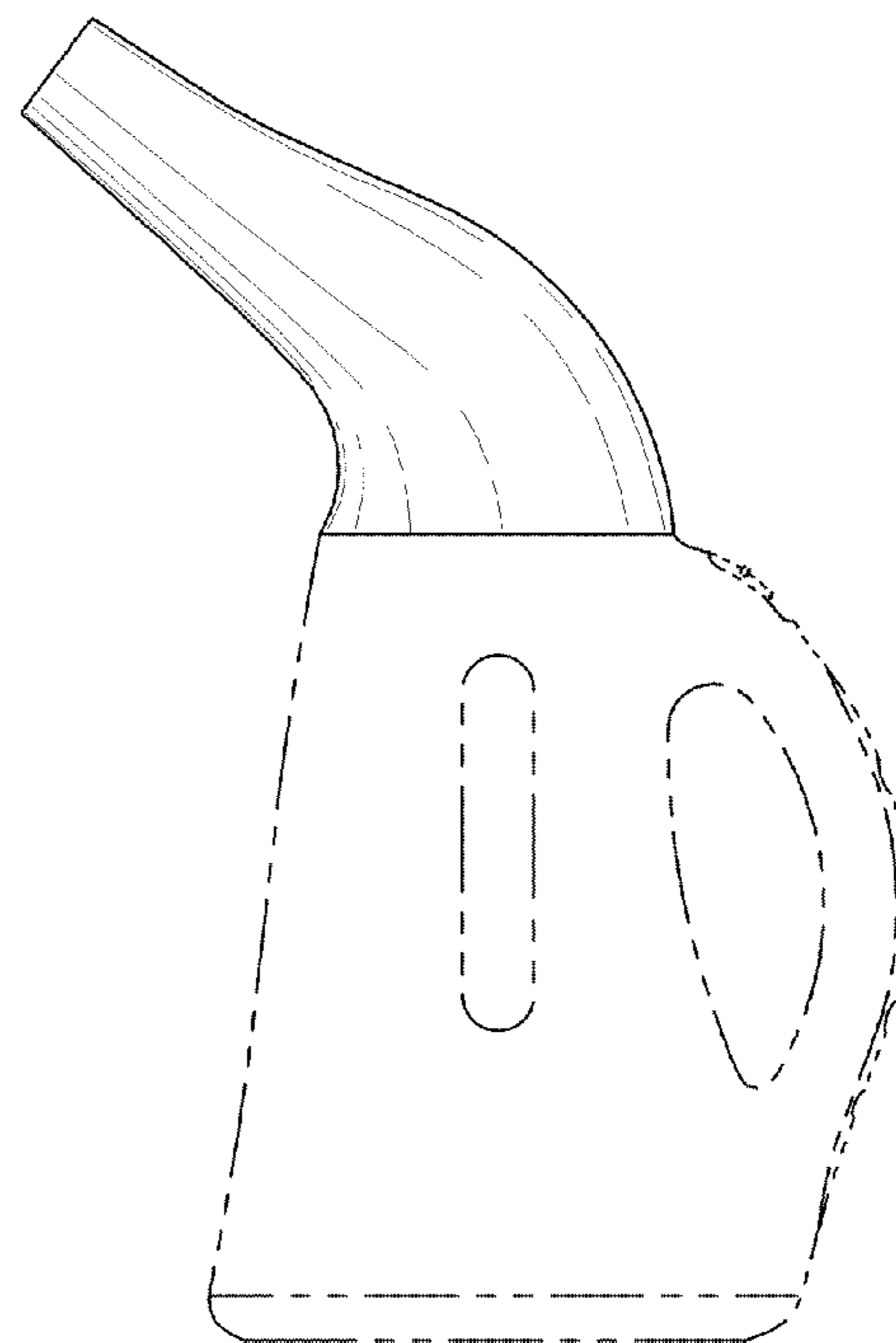
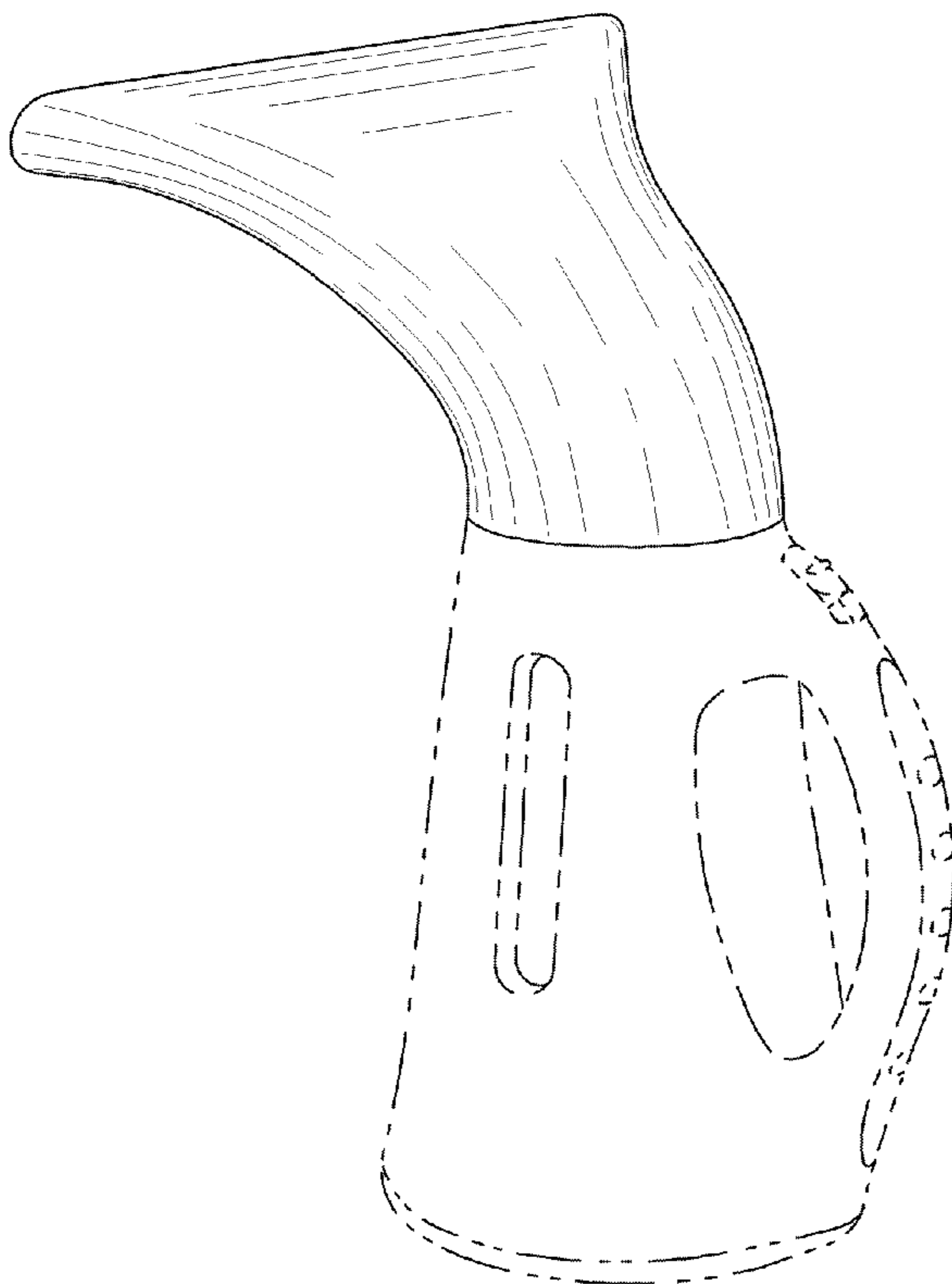
FIG. 4 is a bottom plan view of the steamer of FIG. 1;

FIG. 5 is a front elevational view of the steamer of FIG. 1; and,

FIG. 6 is a rear elevational view of the steamer of FIG. 1.

The broken lines shown in the drawings are for illustrative purposes only and form no part of the claimed design.

1 Claim, 4 Drawing Sheets



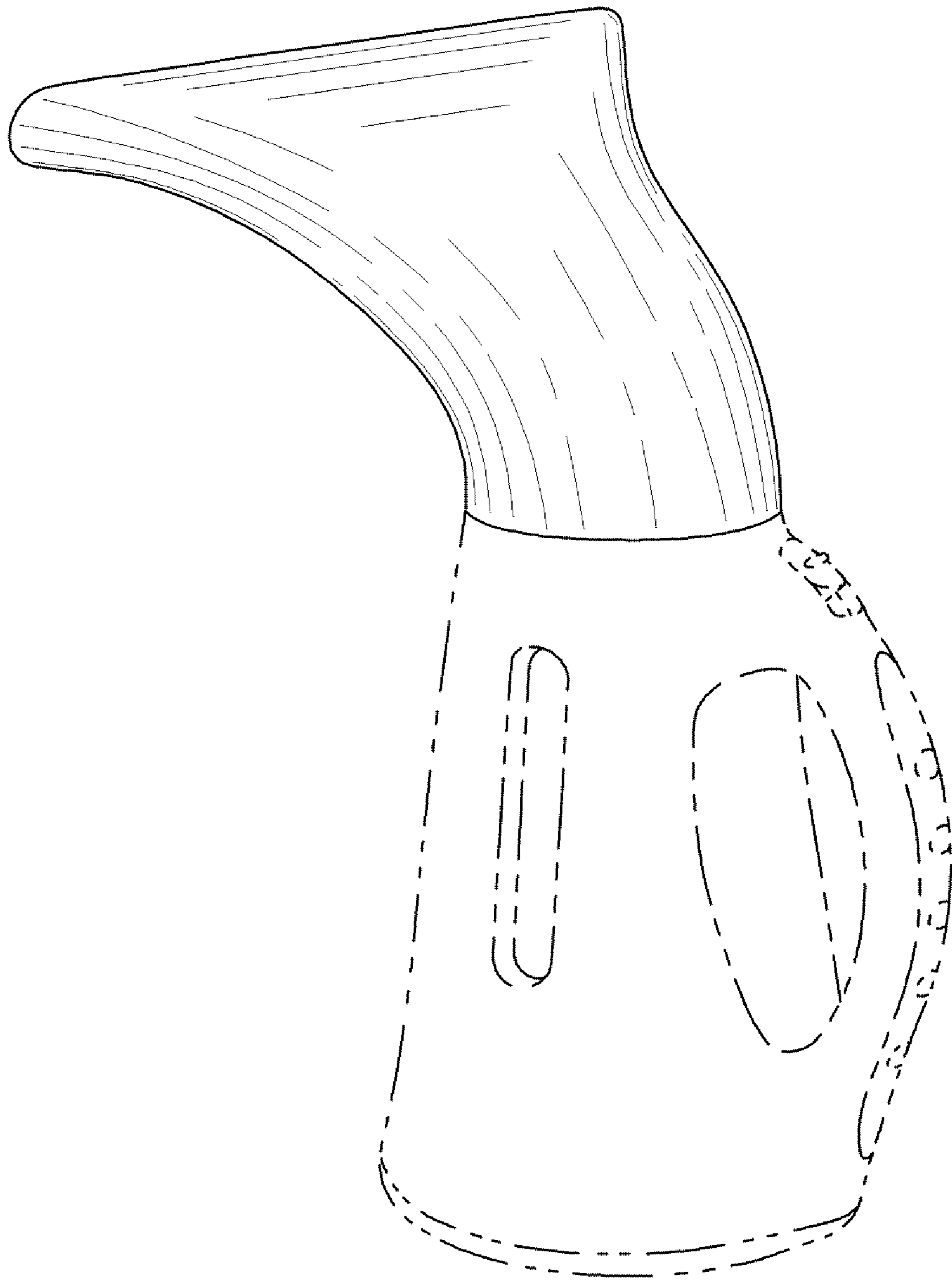


FIG. 1

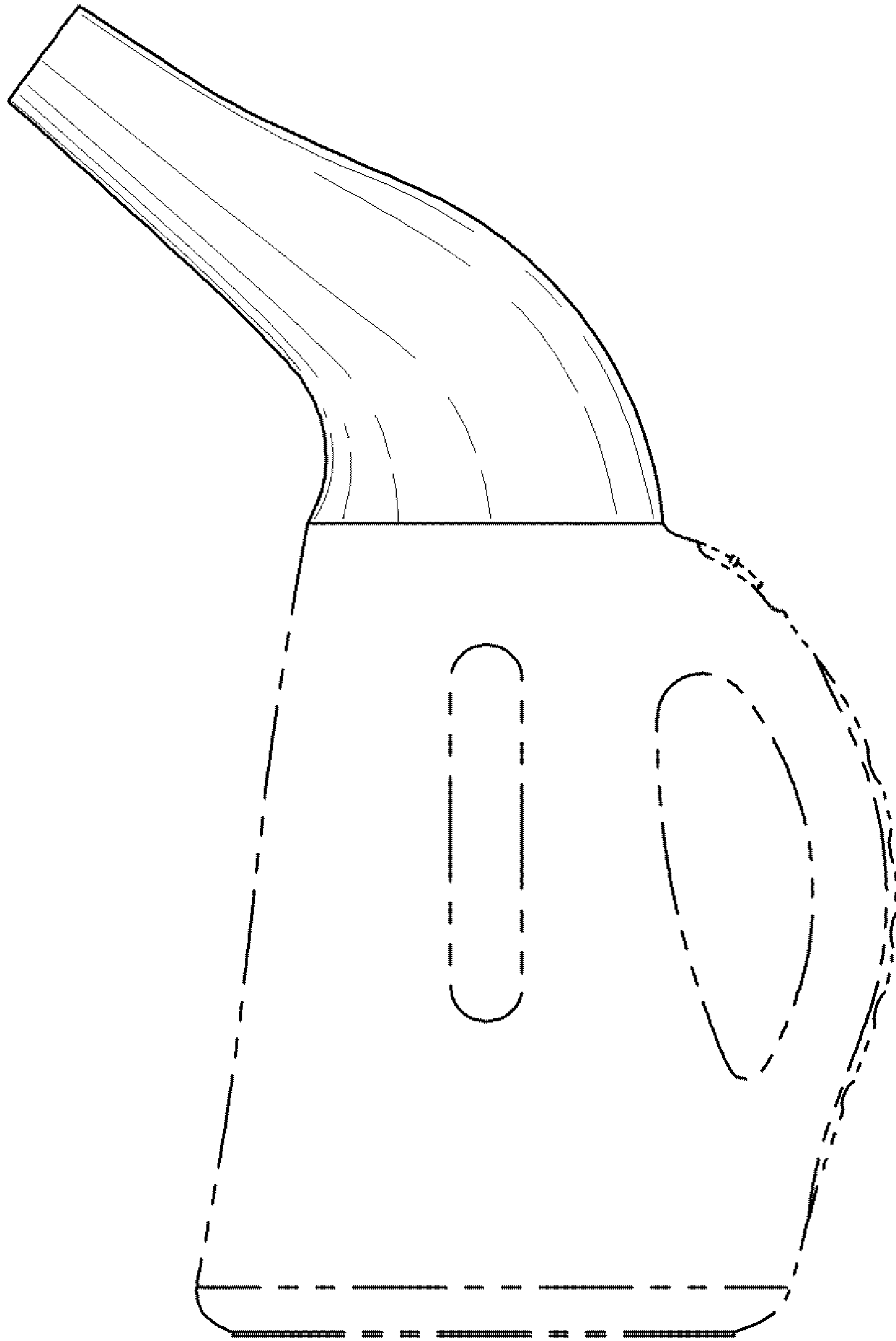


FIG. 2

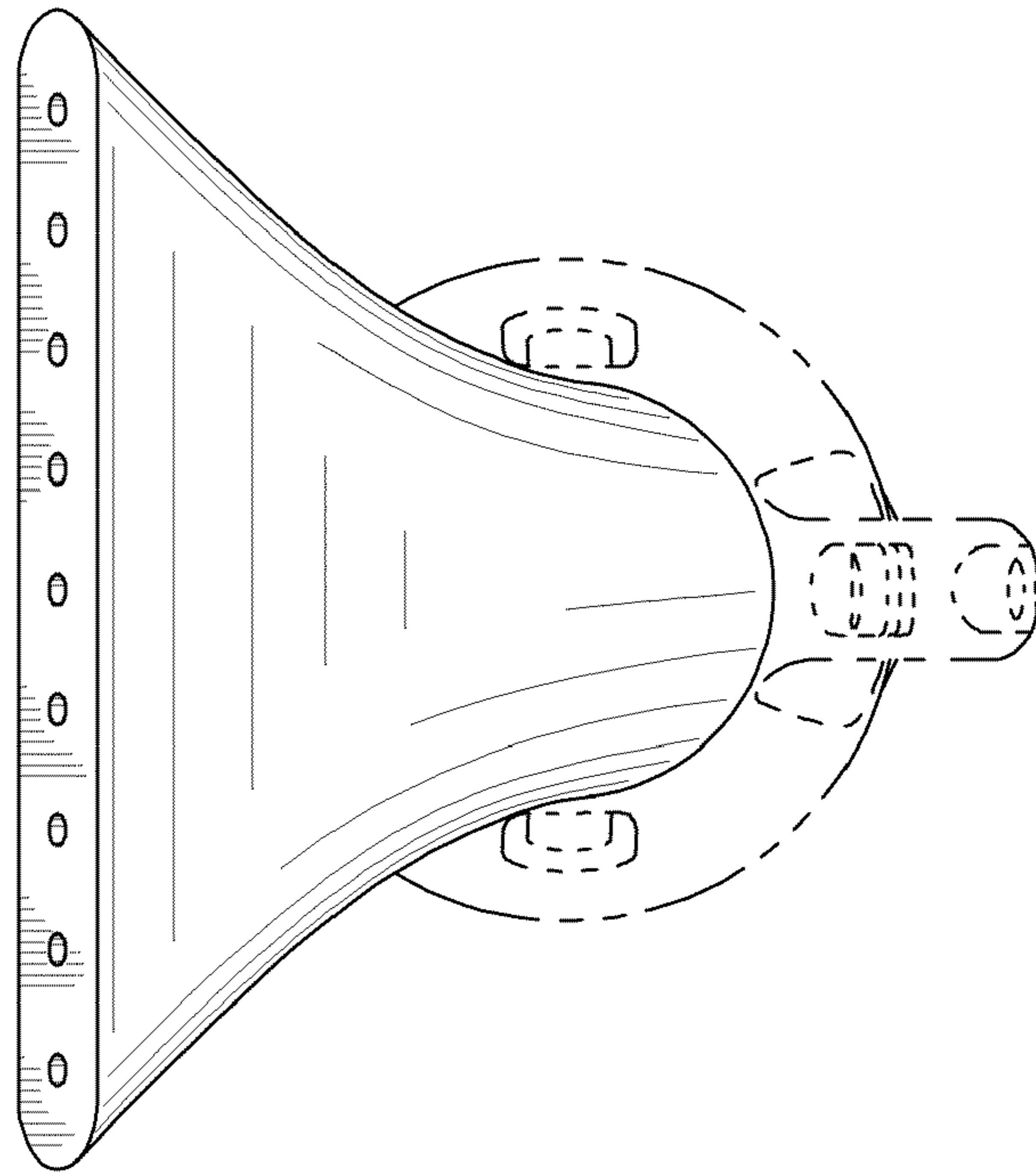


FIG. 3

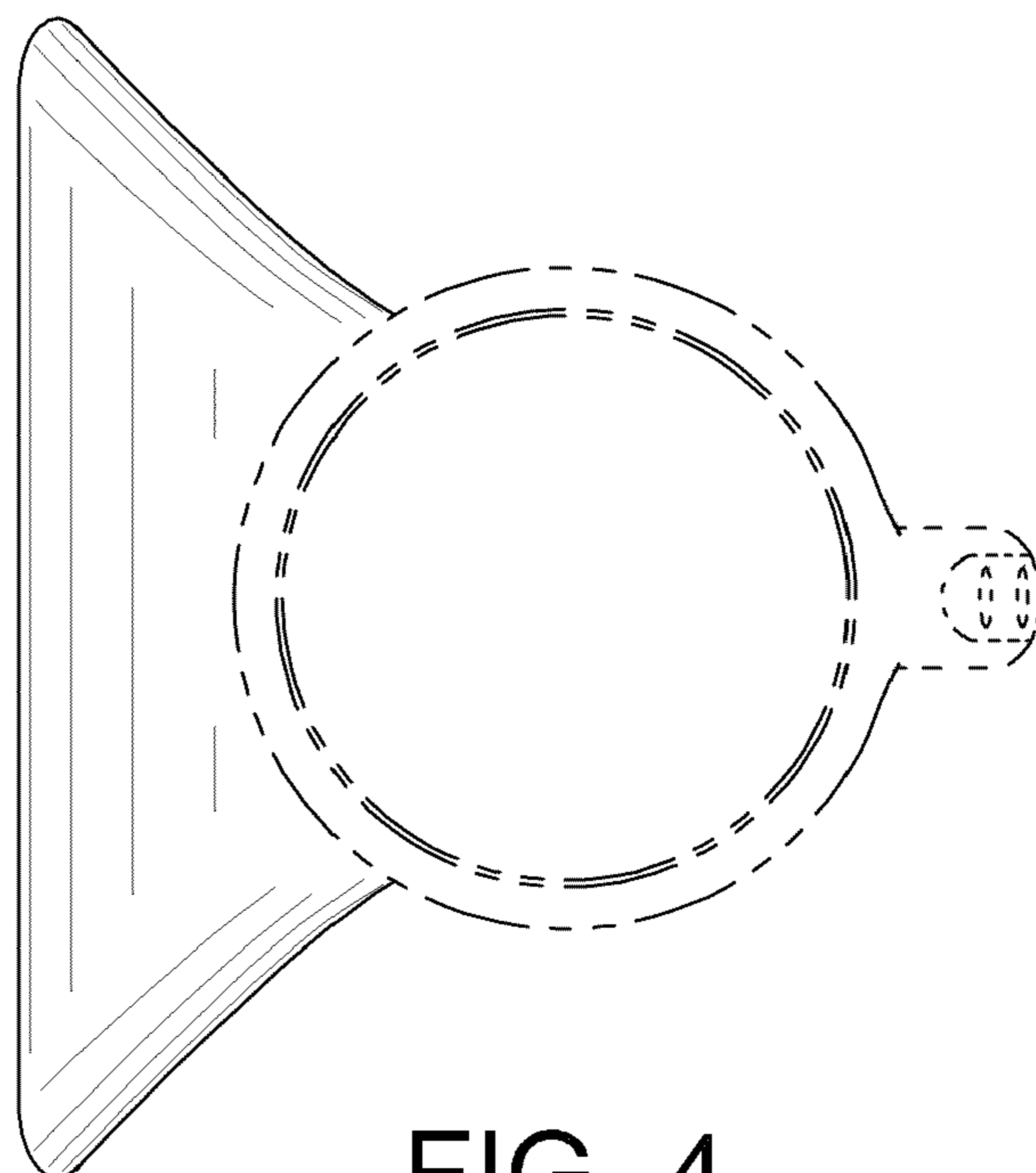


FIG. 4

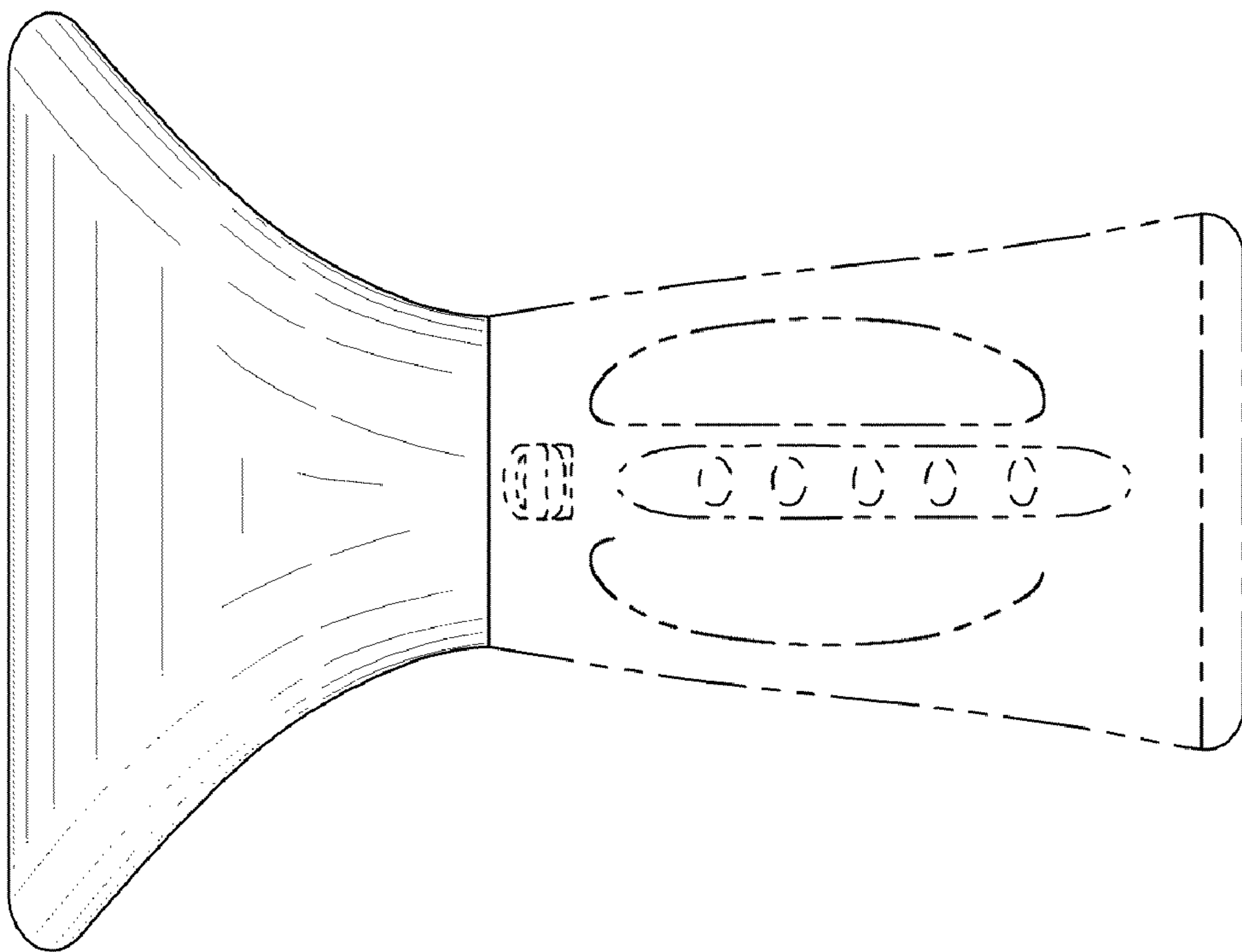


FIG. 6

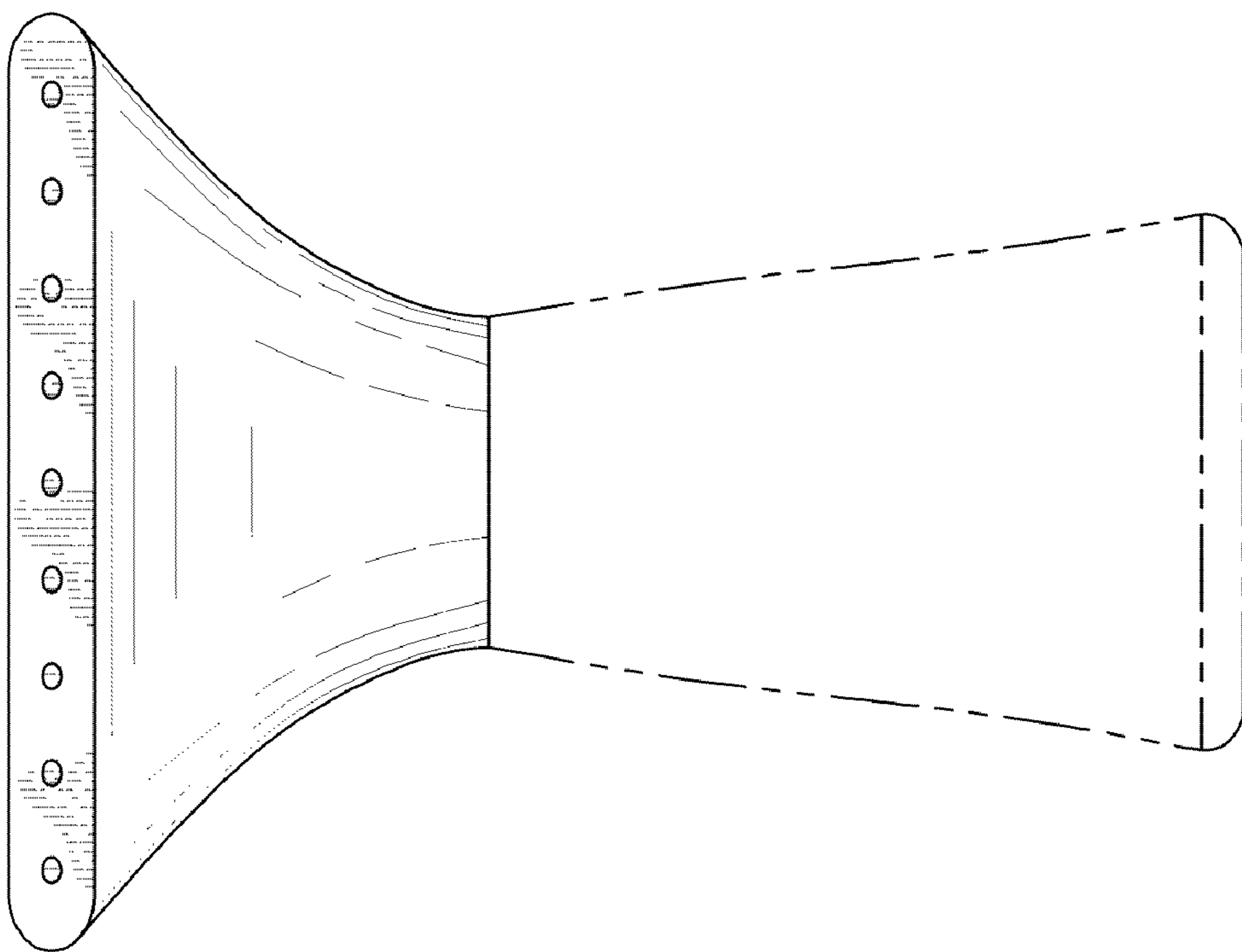


FIG. 5