



US00D587862S

(12) **United States Design Patent**
Rutherford

(10) **Patent No.:** **US D587,862 S**
(45) **Date of Patent:** **** Mar. 3, 2009**

(54) **PET TOY**

(75) Inventor: **Ryan Rutherford**, Belleville, NJ (US)

(73) Assignee: **J.W. Pet Company, Inc.**, Teterboro, NJ (US)

(**) Term: **14 Years**

(21) Appl. No.: **29/283,370**

(22) Filed: **Aug. 13, 2007**

Related U.S. Application Data

(63) Continuation-in-part of application No. 29/266,091, filed on Sep. 14, 2006, now Pat. No. Des. 565,806.

(51) **LOC (9) Cl.** **30-99**

(52) **U.S. Cl.** **D30/160**

(58) **Field of Classification Search** D30/160;
119/702, 706-711; D21/576, 621, 630, 656-659;
D1/106; D24/211-215

See application file for complete search history.

(56) **References Cited**

U.S. PATENT DOCUMENTS

D202,332 S *	9/1965	Fisher	D30/160
D368,991 S *	4/1996	O'Rourke et al.	D30/160
5,865,146 A *	2/1999	Markham	119/707
D412,767 S *	8/1999	Bemis et al.	D30/160
D427,390 S *	6/2000	Gill	D30/160
6,158,391 A *	12/2000	Simonetti	119/707
D475,816 S *	6/2003	Adamson	D30/160
D496,773 S *	10/2004	Tepper et al.	D1/199

D497,457 S *	10/2004	Willinger	D30/160
D525,397 S *	7/2006	Wang	D30/160
7,087,260 B2	8/2006	Axelrod		
D534,694 S *	1/2007	Pozzoni	D30/160
D537,575 S *	2/2007	Jager	D30/160
D565,806 S *	4/2008	Rutherford	D30/160
D568,487 S *	5/2008	Hsu	D24/214
2002/0129774 A1 *	9/2002	Strongin	119/707
2003/0221633 A1 *	12/2003	Werde et al.	119/707
2006/0225666 A1 *	10/2006	Axelrod	119/709

* cited by examiner

Primary Examiner—Cathy Anne MacCormac

(74) *Attorney, Agent, or Firm*—Katten Muchin Rosenman LLP

(57) **CLAIM**

The ornamental design for a pet toy, as shown and described.

DESCRIPTION

FIG. 1 is a perspective view of the new design of the pet toy;

FIG. 2 is a front view thereof;

FIG. 3 is a rear view thereof;

FIG. 4 is a left-side view thereof;

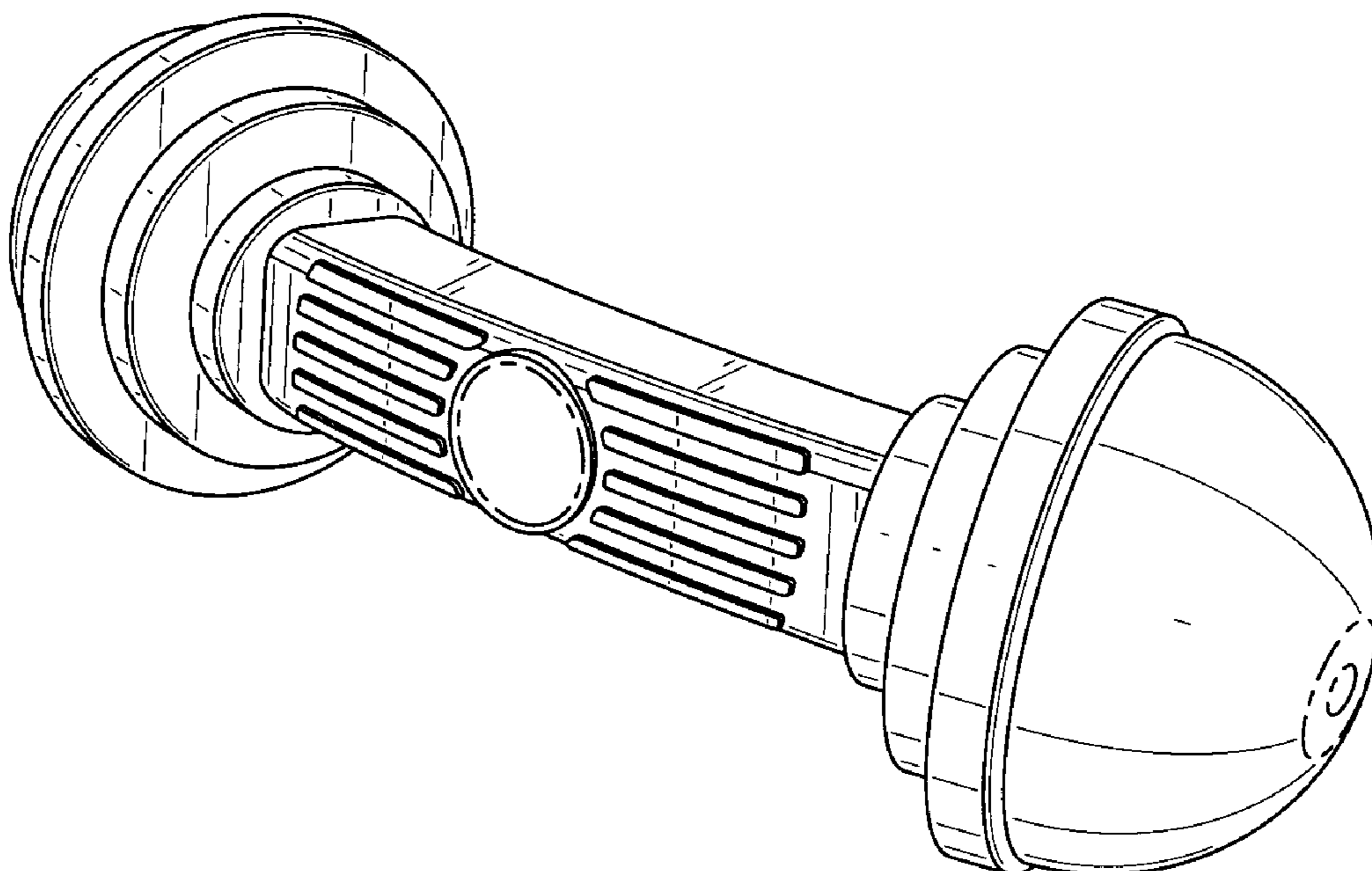
FIG. 5 is a right-side view thereof;

FIG. 6 is a top view thereof; and,

FIG. 7 is a bottom view thereof.

The portions shown in broken lines do not form part of the claimed design.

1 Claim, 4 Drawing Sheets



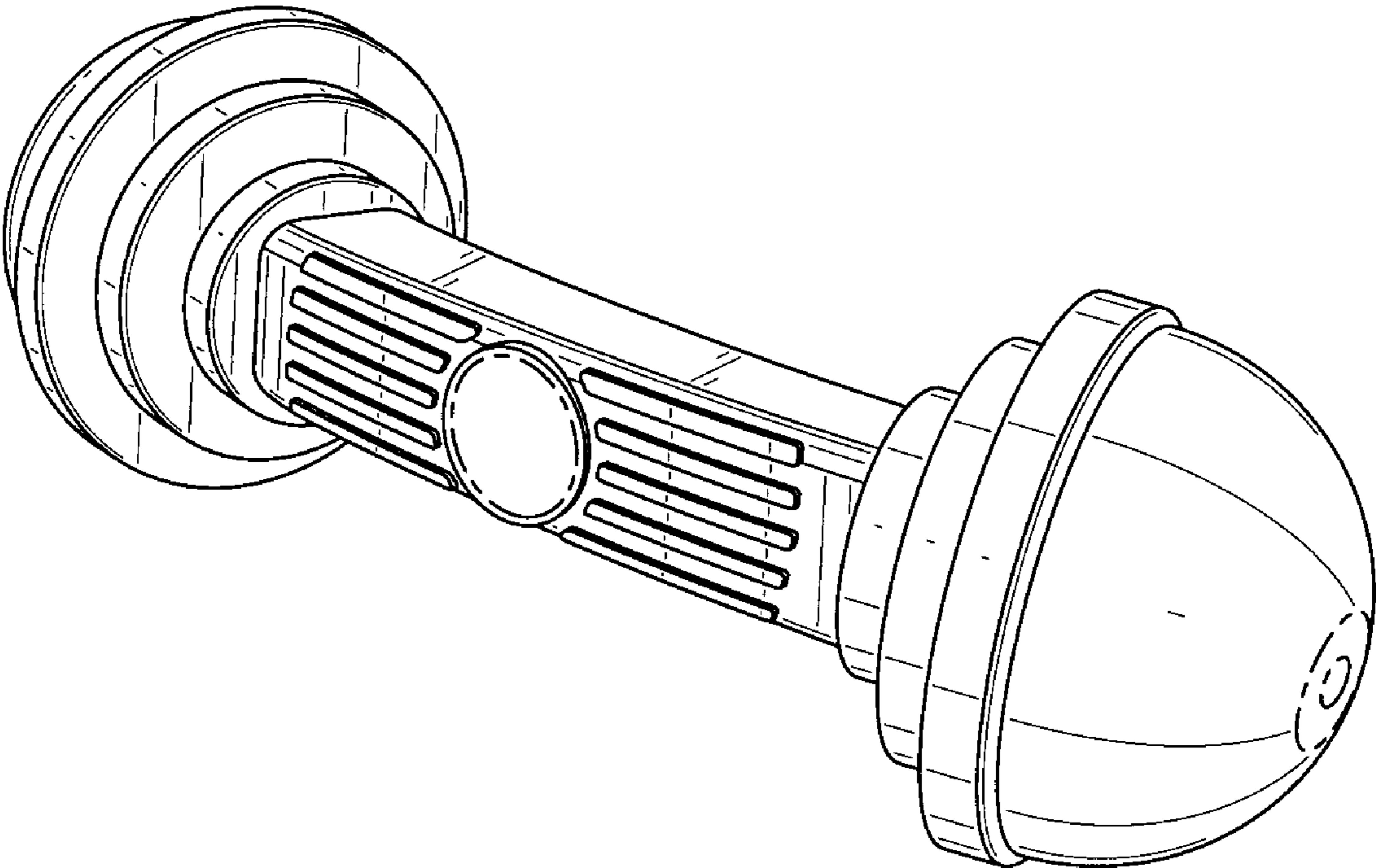


FIG. 1

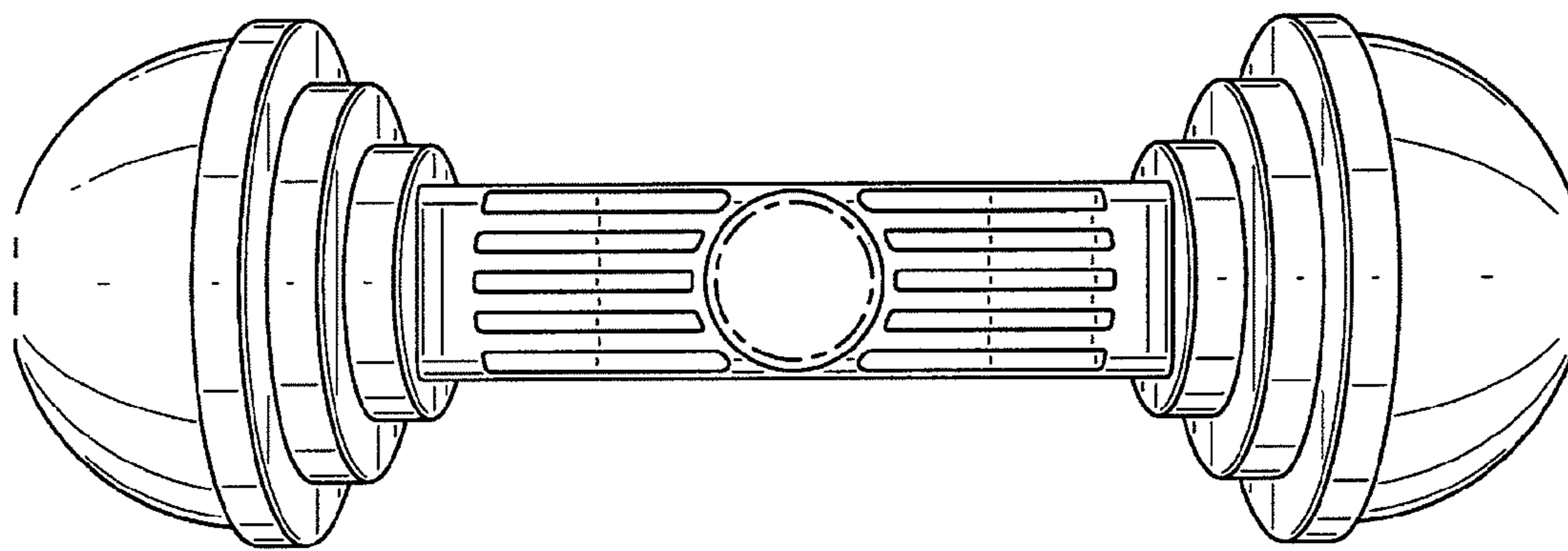


FIG. 2

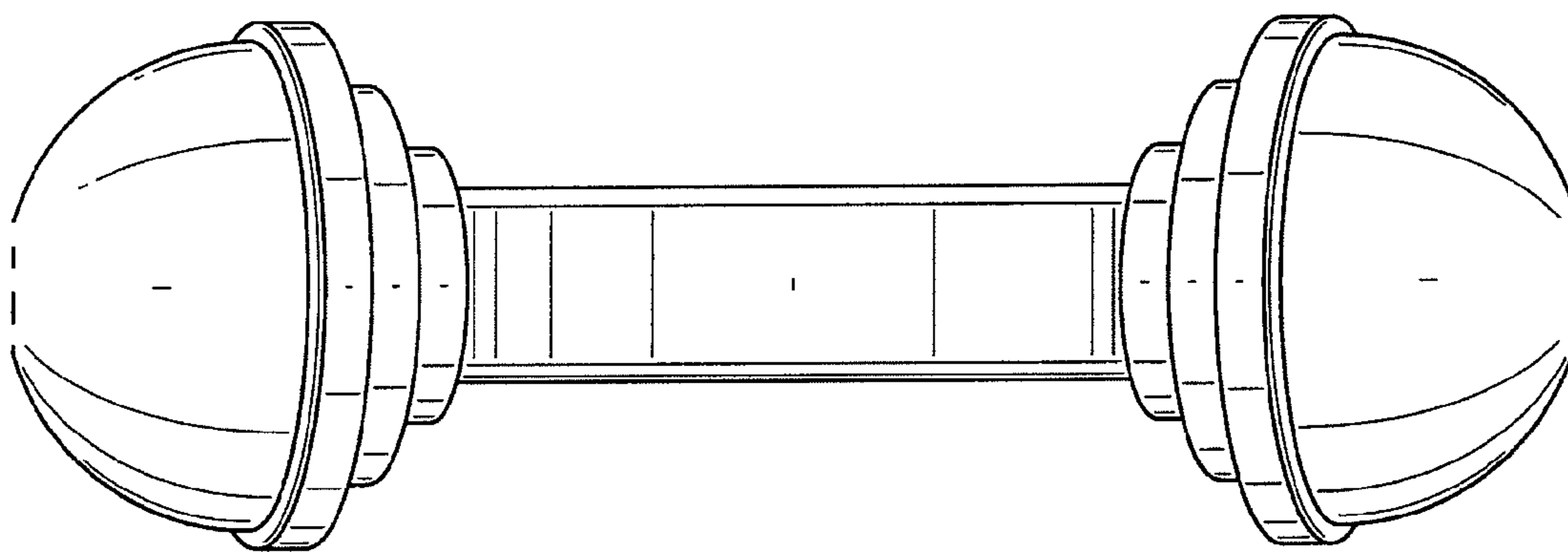


FIG. 3

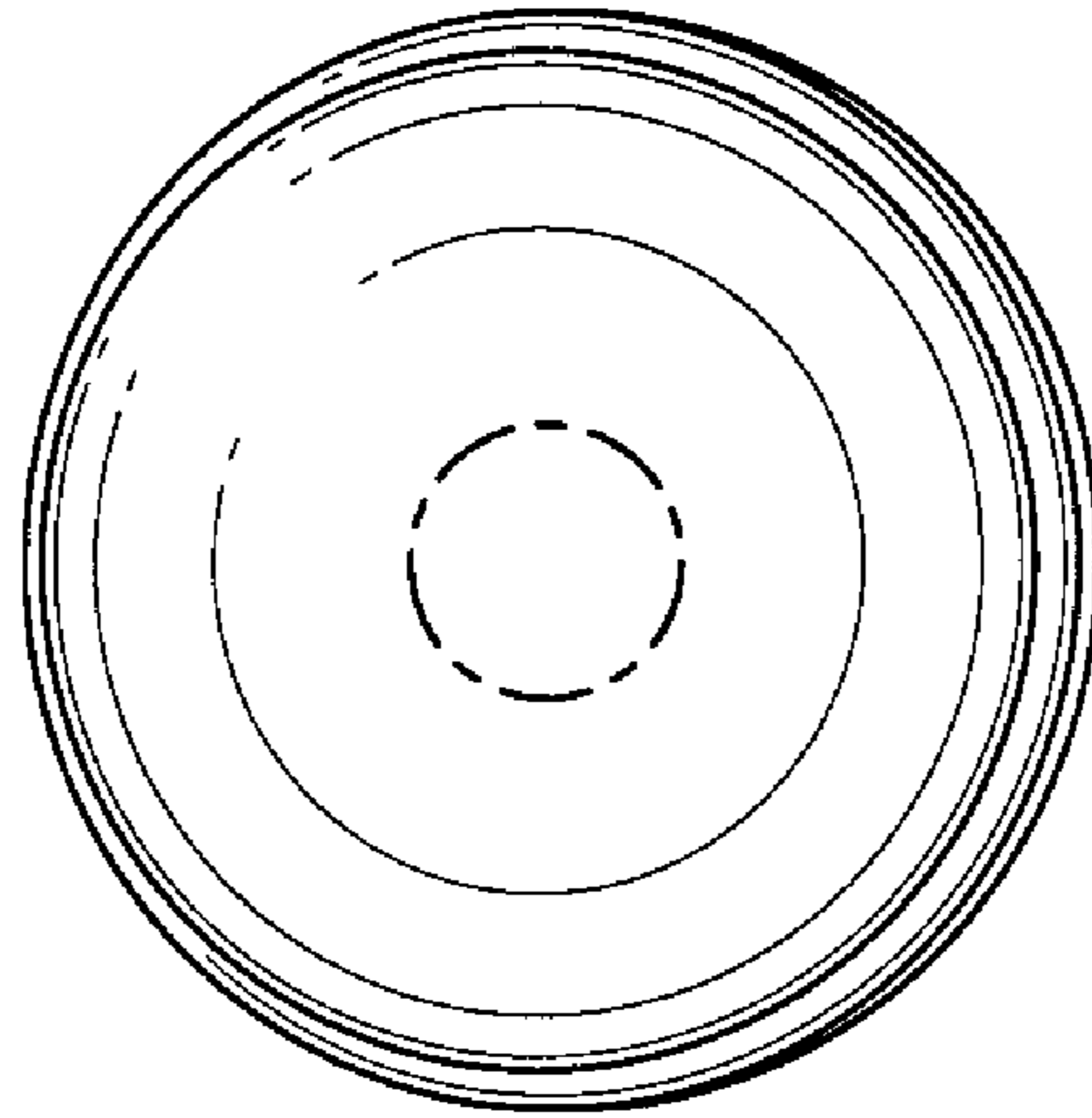


FIG. 4

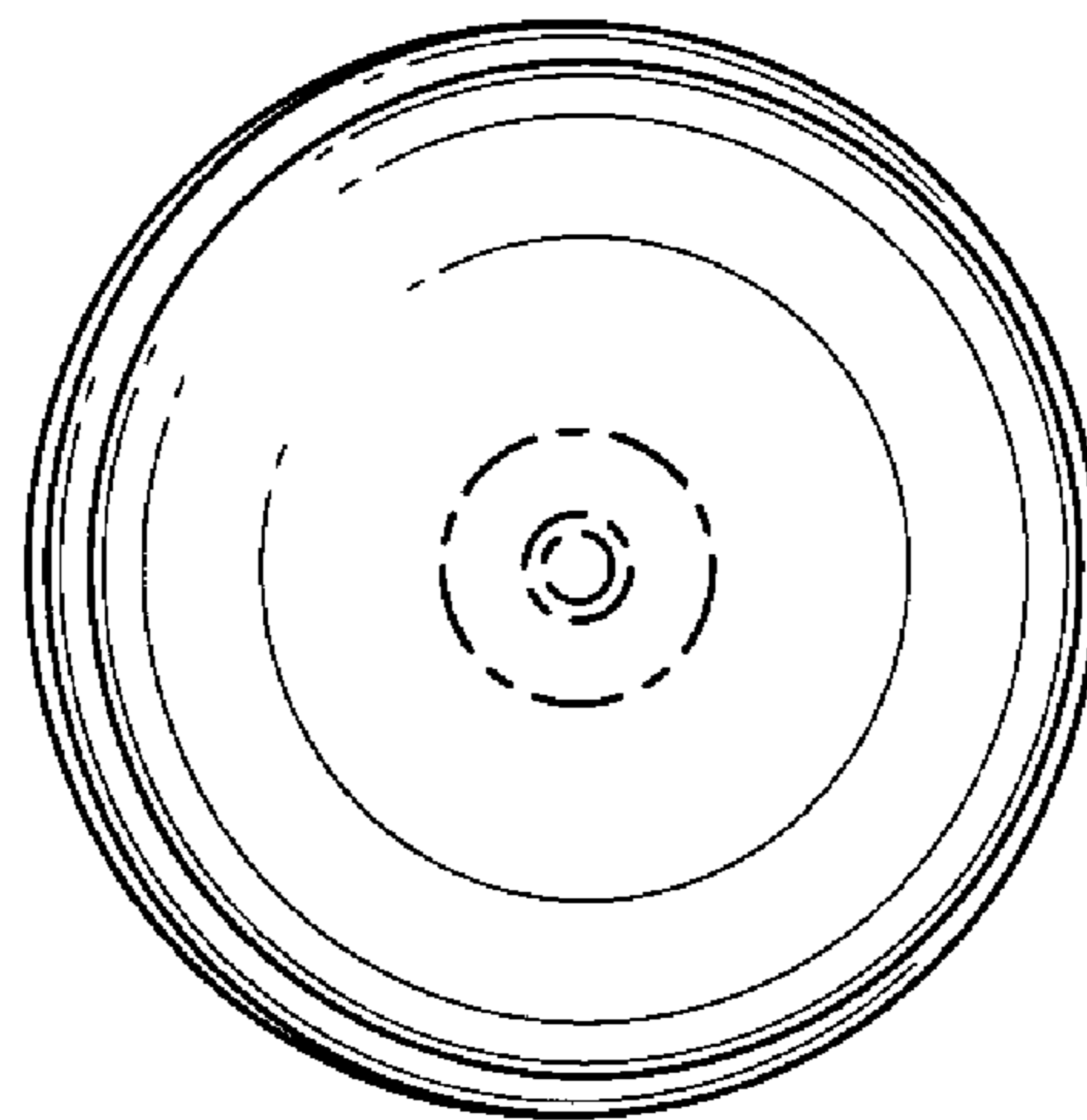


FIG. 5

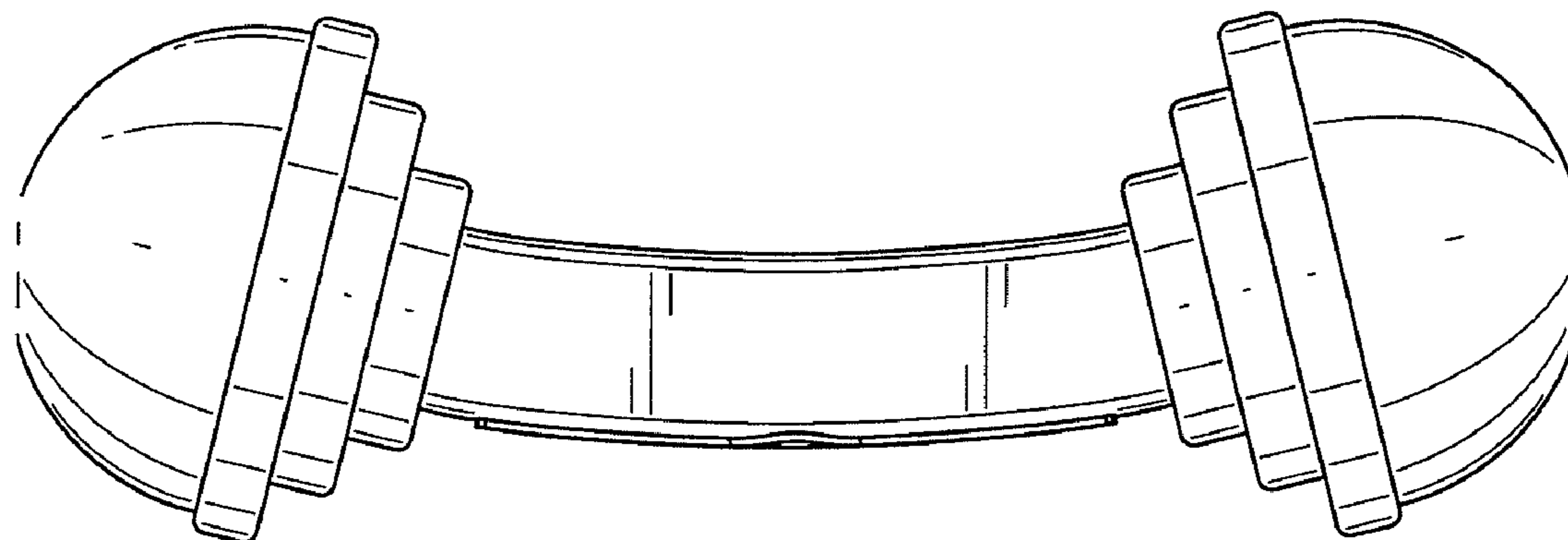


FIG. 6

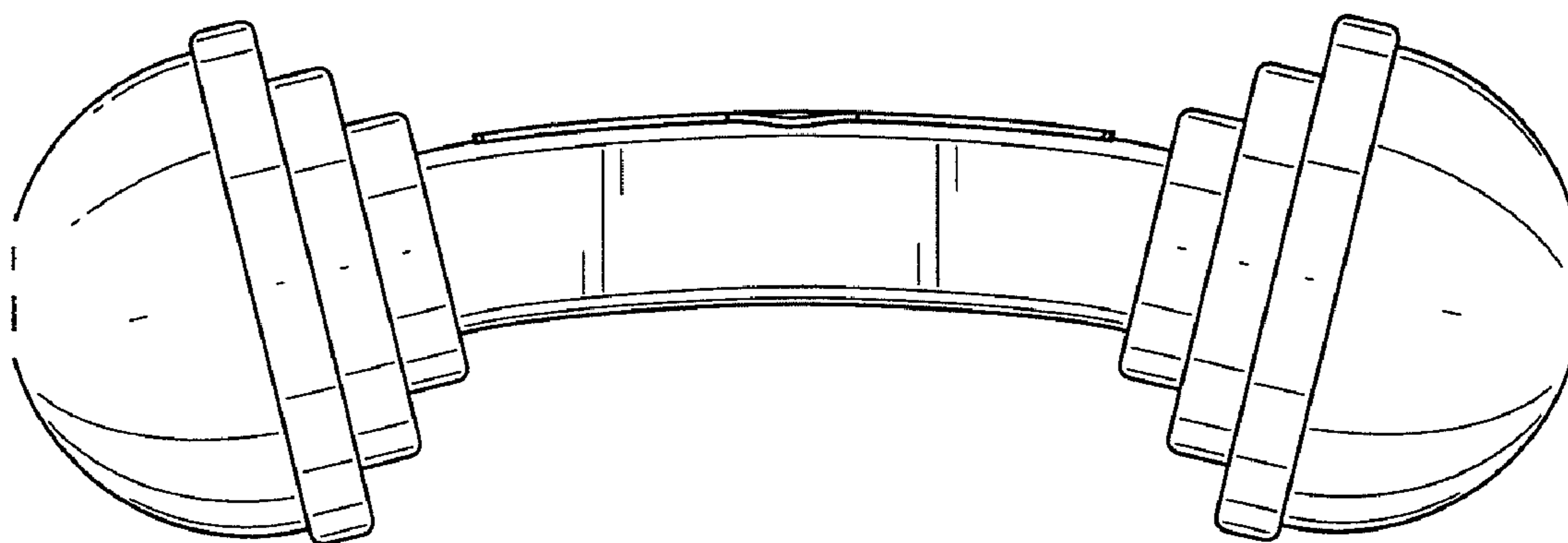


FIG. 7