



US00D587861S

(12) **United States Design Patent**
Miller

(10) **Patent No.:** **US D587,861 S**
(45) **Date of Patent:** **** Mar. 3, 2009**

(54) **DOG LEASH**

(75) Inventor: **Christopher Daniel Miller**, East
Granby, CT (US)

(73) Assignee: **Christopher Miller**, Grandby, CT (US)

(**) Term: **14 Years**

(21) Appl. No.: **29/317,213**

(22) Filed: **Apr. 24, 2008**

(51) **LOC (9) Cl.** **30-04**

(52) **U.S. Cl.** **D30/153**

(58) **Field of Classification Search** D30/151-155,
D30/144; 119/850, 855-860, 862-865, 654,
119/712, 714, 720, 725, 760, 762-775, 791-794,
119/815, 821, 724, 655, 51.02, 660, 174;
24/188, 662, 324, 3.6; D11/3, 12, 200, 7,
D11/79-87, 97, 99, 107, 108, 82, 137, 105,
D11/231, 103, 1, 2, 40-44, 46-49, 53, 56,
D11/57, 59-61, 63, 65, 89, 90-92, 101, 106,
D11/114-116, 201; D2/609, 627, 624, 632,
D2/635, 976, 629, 631; 2/300, 311-319,
2/321, 322, 338, 339, 237; D24/195; D3/207-212,
D3/270-271.3; D26/38; 206/37.1, 38.1;
D6/302-304; 70/456 R, 456 B, 458, 459;
D8/1, 34, 38, 18, 356, 367, 499; 54/19.1;
63/1.11, 3.1, 3.2, 3, 9, 37, 38, 18-20, 23,
63/12, 13, 14.1, 21, 31; 59/85, 89; 424/409;
43/131; 446/314, 376; 428/28; 40/300
See application file for complete search history.

(56) **References Cited**

U.S. PATENT DOCUMENTS

2,250,171 A * 7/1941 Wilkins 242/377

D150,947 S * 9/1948 Granden et al. D30/153
D198,757 S * 7/1964 Rogers D30/153
4,165,713 A * 8/1979 Brawner et al. 119/794
D258,243 S * 2/1981 Barbero et al. D30/153
4,269,150 A * 5/1981 McCarthy 119/796
4,391,226 A * 7/1983 Guthrie 119/797
D298,368 S * 11/1988 Musetti D30/153
D298,579 S * 11/1988 Brummett D30/153
D337,395 S * 7/1993 Erlinger et al. D30/153
D341,682 S * 11/1993 Musetti D30/153
D354,158 S * 1/1995 Trudeau D30/153
D389,615 S * 1/1998 Leslie D30/153
D410,330 S * 6/1999 Klein D3/221
D448,892 S * 10/2001 Hans D30/153
D484,650 S * 12/2003 Meath D30/153
7,367,287 B1 * 5/2008 Jones, Jr. 119/798

* cited by examiner

Primary Examiner—Susan M Lee

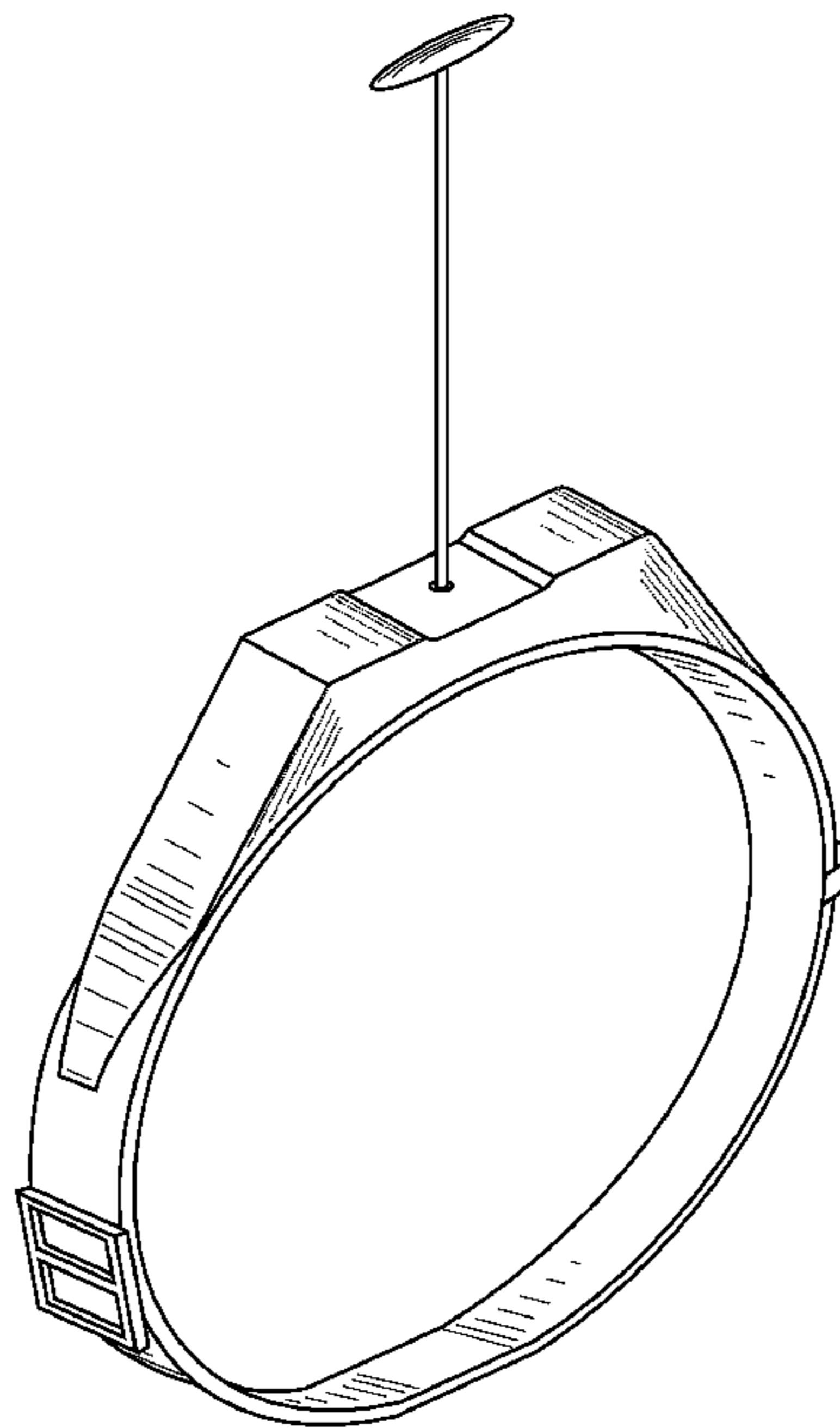
(57) **CLAIM**

The ornamental design for a dog leash, as shown and described.

DESCRIPTION

FIG. 1 is a perspective view of a dog leash, showing my new design;
FIG. 2 is a front elevational view of the invention, the rear elevational view being a mirror image thereof;
FIG. 3 is a left-side elevational view of the invention;
FIG. 4 is a right-side elevational view of the invention;
FIG. 5 is a top plan view of the invention; and,
FIG. 6 is a bottom plan view of the invention.

1 Claim, 2 Drawing Sheets



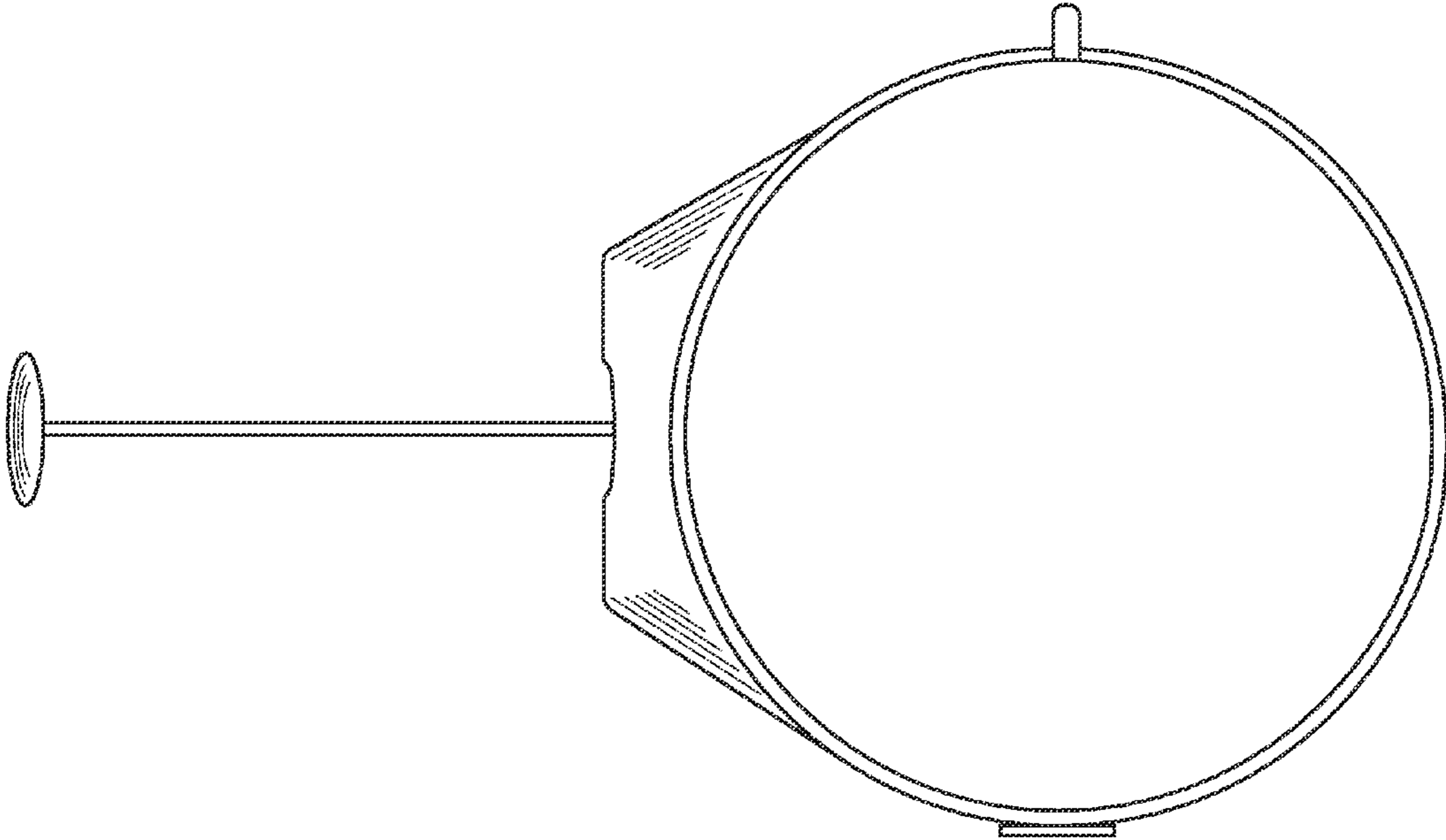


FIG. 2

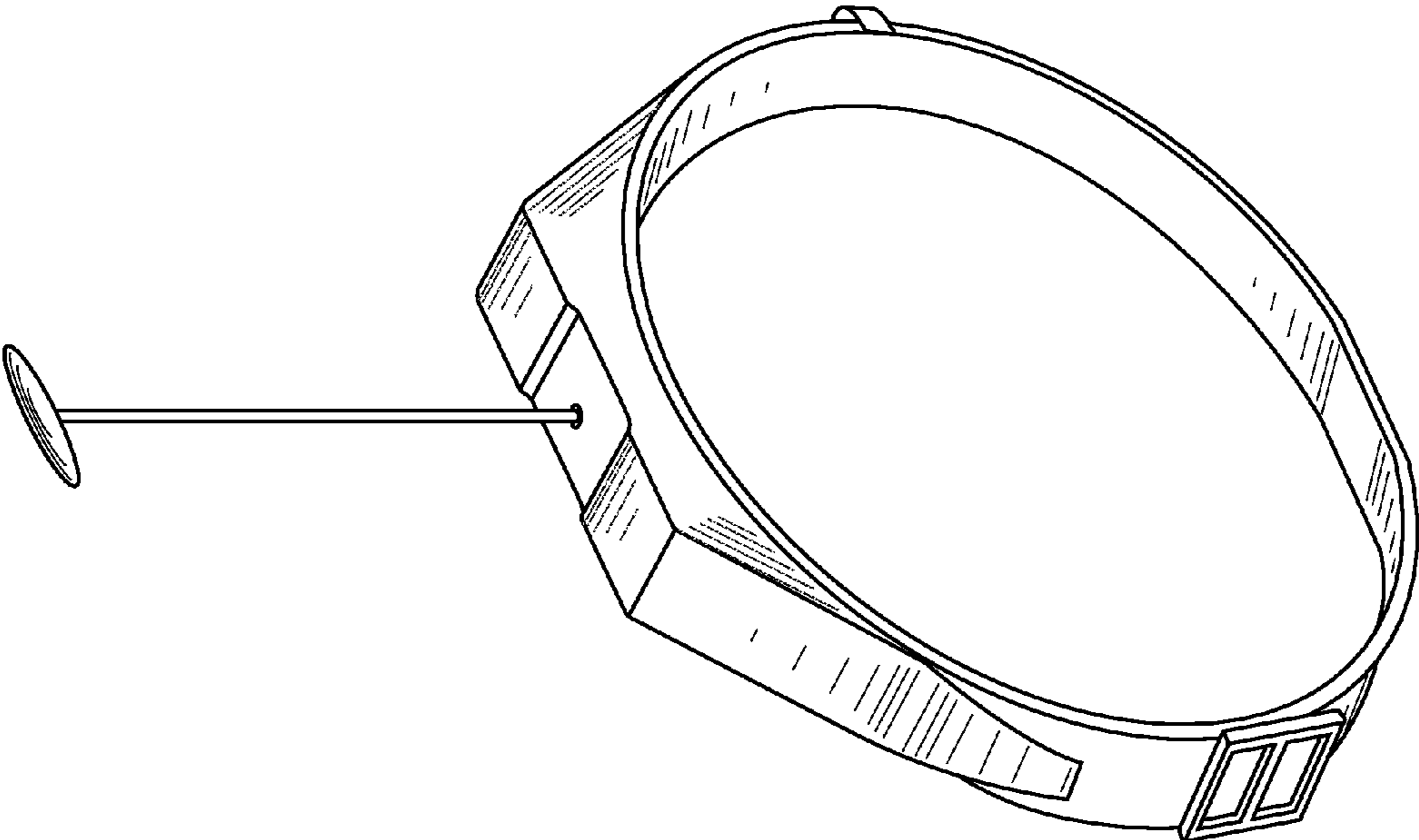


FIG. 1

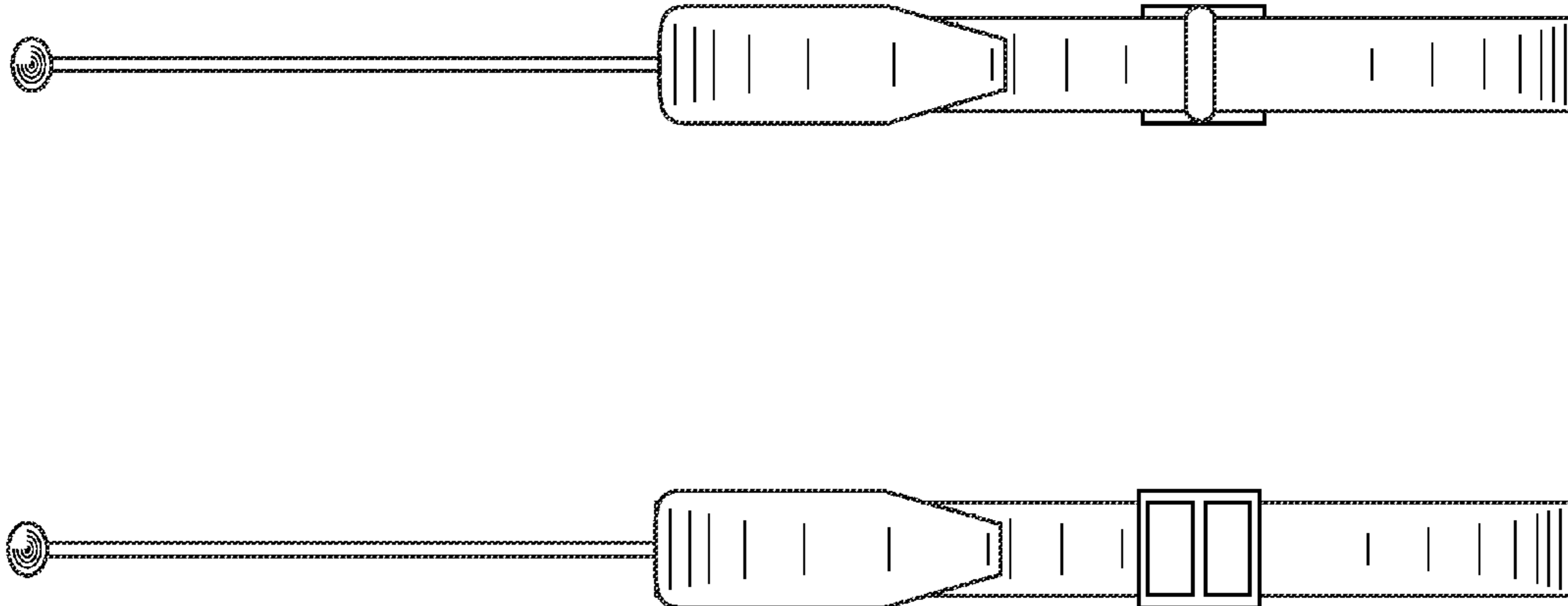


FIG. 4

FIG. 3

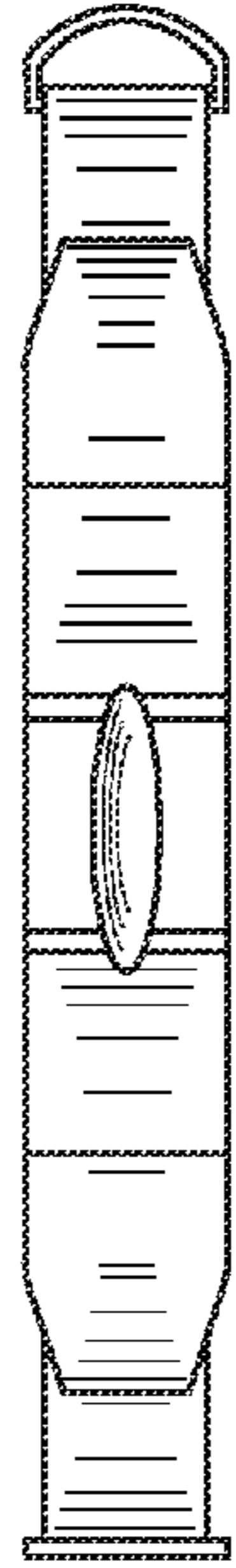


FIG. 5



FIG. 6