



US00D587860S

(12) **United States Design Patent**
Jensen

(10) **Patent No.:** **US D587,860 S**
(45) **Date of Patent:** **** Mar. 3, 2009**

(54) **HORSESHOE**

(76) Inventor: **Asger R. Jensen**, Frugthaven 37, Morud
(DK) DK-5462

(**) Term: **14 Years**

(21) Appl. No.: **29/296,216**

(22) Filed: **Oct. 16, 2007**

(30) **Foreign Application Priority Data**

Apr. 16, 2007 (EP) 000714779

(51) **LOC (9) Cl.** **30-01**

(52) **U.S. Cl.** **D30/148**

(58) **Field of Classification Search** D30/147-150;
168/4, 24, 29, 13; D8/301, 305; 59/60-62,
59/36, 67-69; 473/591; D20/29; D21/387,
D21/404, 416

See application file for complete search history.

(56) **References Cited**

U.S. PATENT DOCUMENTS

69,146	A *	9/1867	Wilkinson	168/13
82,013	A *	9/1868	Lyman	168/29
100,328	A *	3/1870	Roberge	168/24
130,629	A *	8/1872	Ferren	168/24
167,600	A *	9/1875	Albright	168/13
D18,215	S *	3/1888	Greenwood	D30/147
479,790	A *	8/1892	Davis	168/13
530,643	A *	12/1894	Kent	168/4
589,488	A *	9/1897	Wiesefeld	168/13
593,112	A *	11/1897	Monarch et al.	168/13
608,156	A *	7/1898	Paar	168/13
D30,966	S *	6/1899	Howe	D30/147
632,423	A *	9/1899	Peacock	168/4
645,193	A *	3/1900	Simmons	168/13
655,628	A *	8/1900	Kennedy	168/13
670,209	A *	3/1901	De Saint Cyr	168/13
676,894	A *	6/1901	Higgins	168/13
738,144	A *	9/1903	Agnew et al.	168/24
787,097	A *	4/1905	Heart	168/24
904,193	A *	11/1908	Filliez	168/13

965,594	A *	7/1910	Moffett et al.	168/13
1,271,177	A *	7/1918	Kusiak	168/4
1,436,810	A *	11/1922	Kosman et al.	168/42
1,471,119	A *	10/1923	Giles	168/13
2,622,685	A *	12/1952	Dixon	168/13
3,153,452	A *	10/1964	Mancini	168/24
D208,107	S *	7/1967	Kulak	D30/147

(Continued)

Primary Examiner—Susan Moon Lee

(74) *Attorney, Agent, or Firm*—Klein, O'Neil & Singh, LLP

(57) **CLAIM**

I claim the ornamental design of a horseshoe, as shown and described.

DESCRIPTION

FIG. 1 is a bottom plan view of a horseshoe, in accordance with a first embodiment of my new design;

FIG. 2 is a front elevational view of the horseshoe of FIG. 1;

FIG. 3 is a side elevational view of the horseshoe of FIG. 1, taken from the right side of FIG. 1, the elevational view from the left side of FIG. 1 being a mirror image thereof;

FIG. 4 is a rear elevational view of the horseshoe of FIG. 1;

FIG. 5 is a top plan view of the horseshoe of FIG. 1;

FIG. 6 is a bottom, rear perspective view of the horseshoe of FIG. 1;

FIG. 7 is a bottom plan view of a horseshoe, in accordance with a second embodiment of my new design;

FIG. 8 is a front elevational view of the horseshoe of FIG. 7;

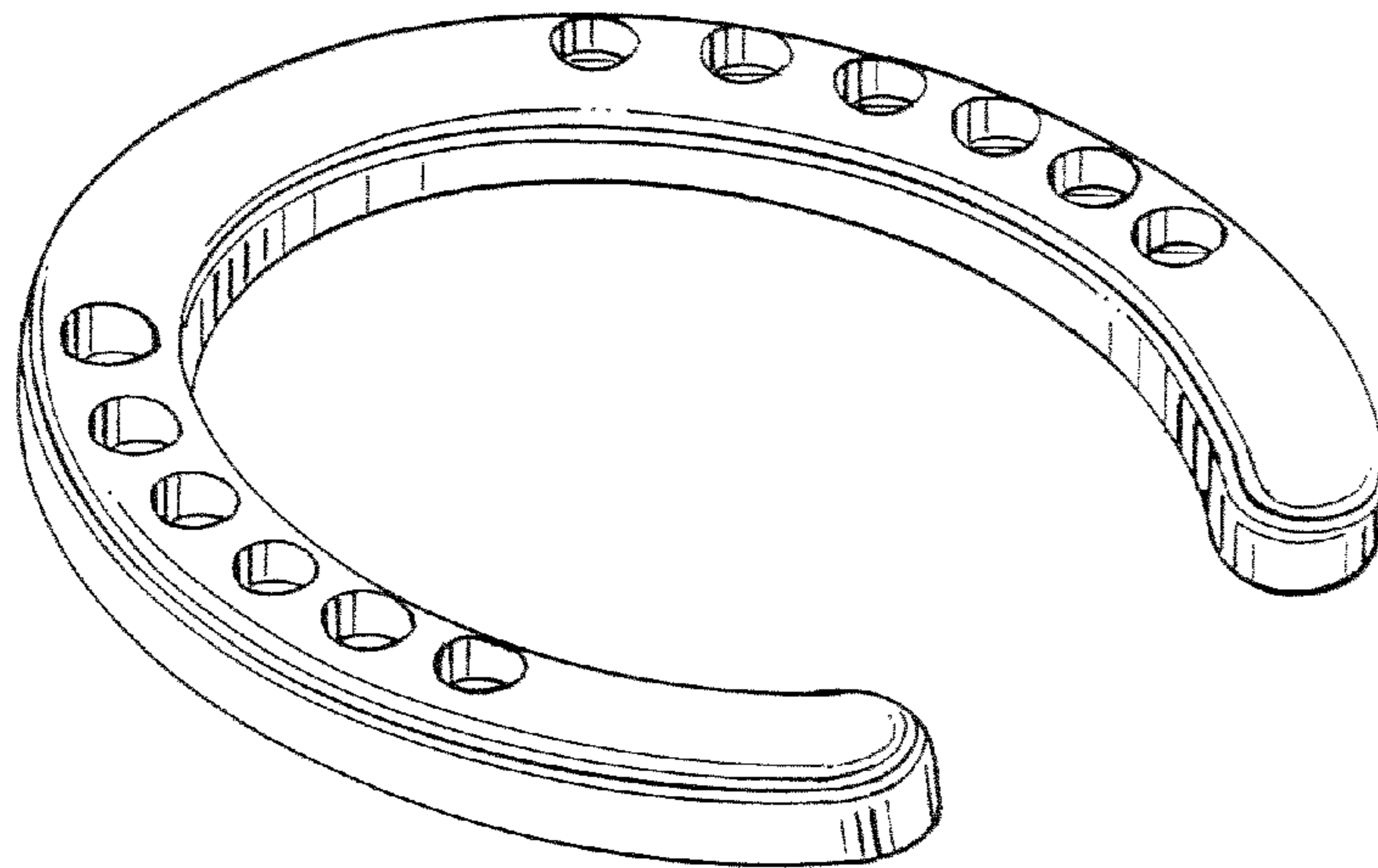
FIG. 9 is a side elevational view of the horseshoe of FIG. 7, taken from the right side of FIG. 7, the elevational view from the left side of FIG. 7 being a mirror image thereof;

FIG. 10 is a rear elevational view of the horseshoe of FIG. 7;

FIG. 11 is a top plan view of the horseshoe of FIG. 7; and,

FIG. 12 is a bottom, rear perspective view of the horseshoe of FIG. 7.

1 Claim, 4 Drawing Sheets



US D587,860 S

Page 2

U.S. PATENT DOCUMENTS

3,425,493	A *	2/1969	Kulak	168/4	4,993,494	A *	2/1991	Tuunanen	168/4
3,603,402	A *	9/1971	McDonnell	168/4	5,168,934	A *	12/1992	Nebel et al.	168/11
D224,793	S *	9/1972	Jeckel	D30/147	5,180,017	A *	1/1993	Alagna	168/12
4,122,900	A *	10/1978	Barr et al.	168/12	5,230,384	A *	7/1993	Nebel et al.	168/11
4,480,698	A *	11/1984	Reeves	168/4	5,348,098	A *	9/1994	Di Giulio	168/12
4,585,068	A *	4/1986	Jungersen	168/11	5,505,264	A *	4/1996	Morris et al.	168/12
4,616,709	A *	10/1986	Lee	168/13	5,740,866	A *	4/1998	Bergstrom et al.	168/12
4,760,885	A *	8/1988	Benning	168/11	5,988,288	A *	11/1999	Bourdieu	168/12
4,844,172	A *	7/1989	Lee	168/13	6,158,518	A *	12/2000	Ridenour	168/4
D310,900	S *	9/1990	Kulak	D30/147	D483,530	S *	12/2003	Bruns	D30/148

* cited by examiner

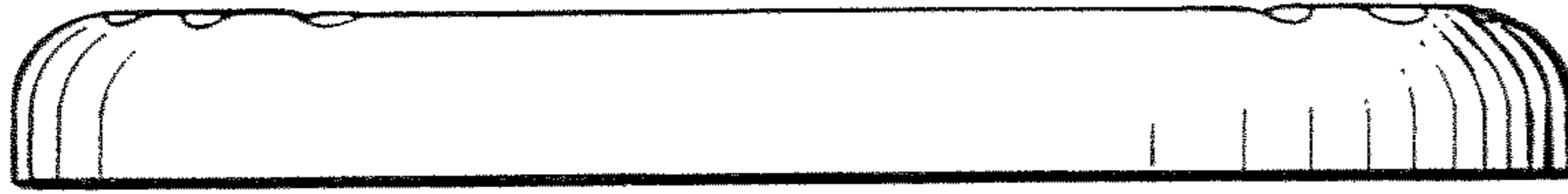


FIG. 2

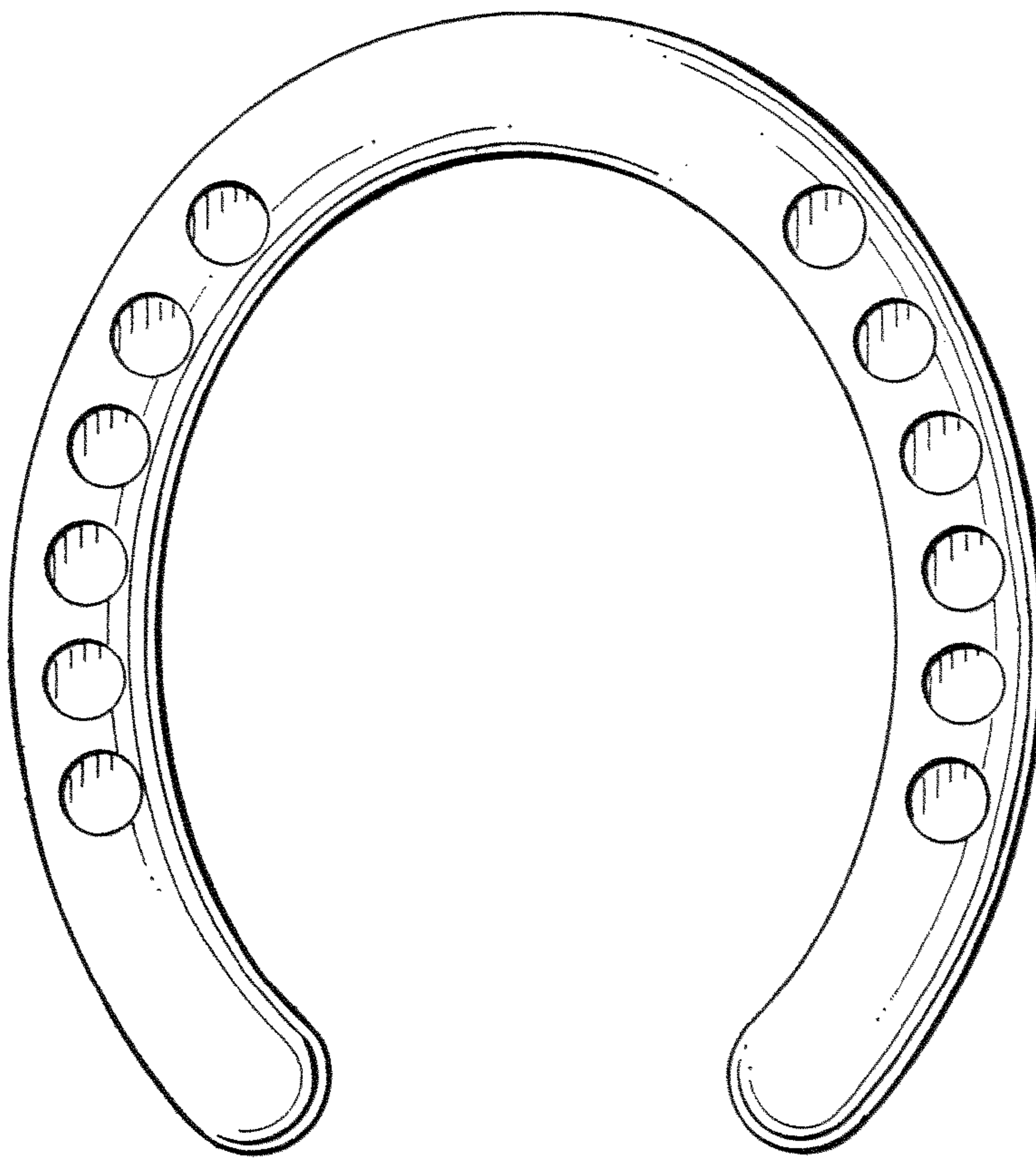


FIG. 1

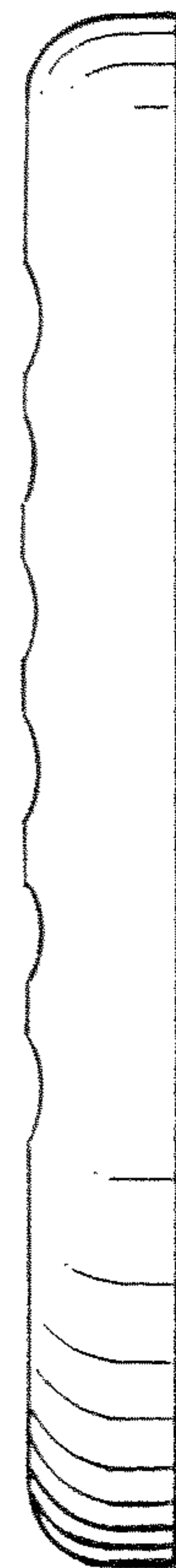


FIG. 3



FIG. 4

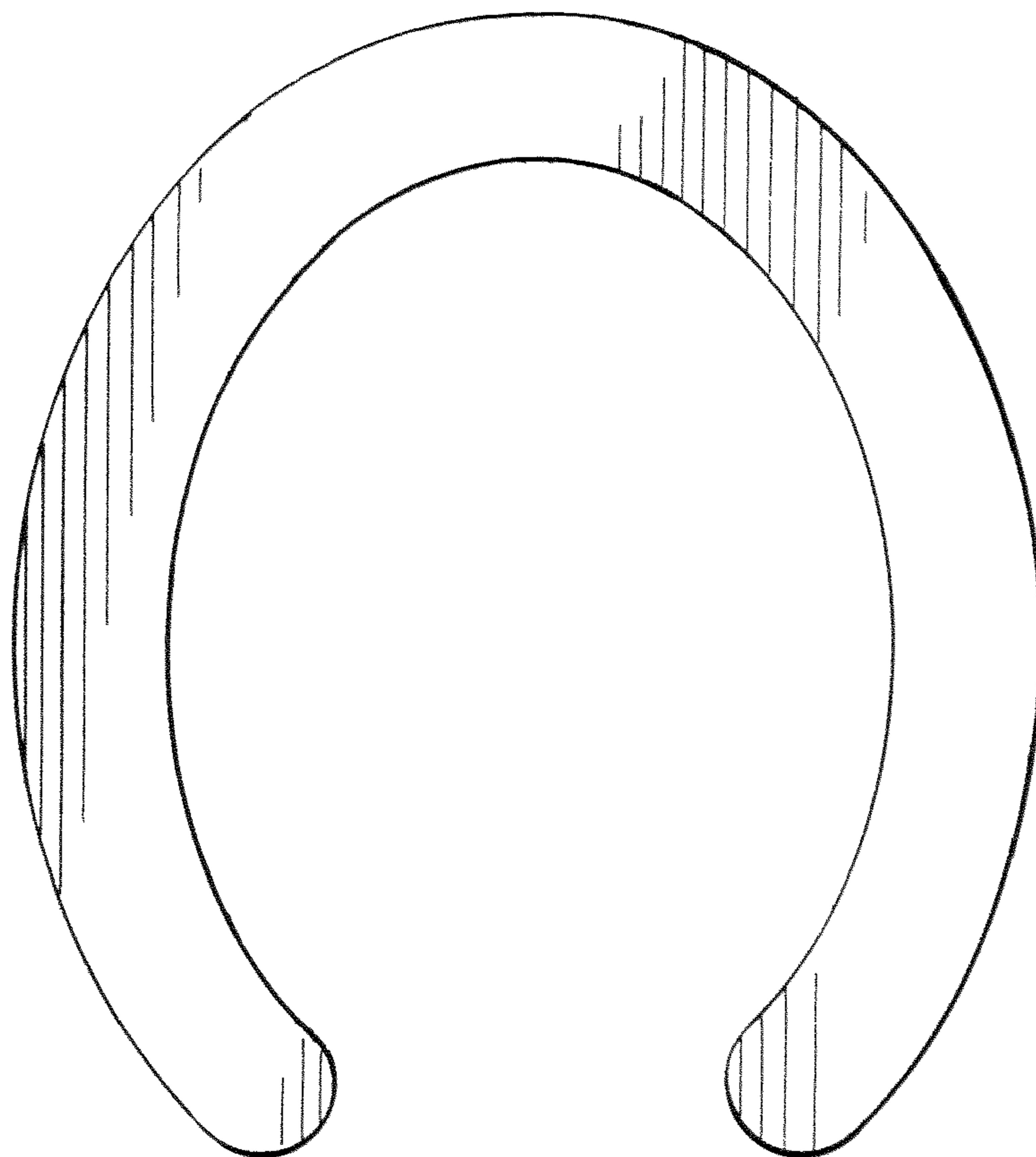


FIG. 5

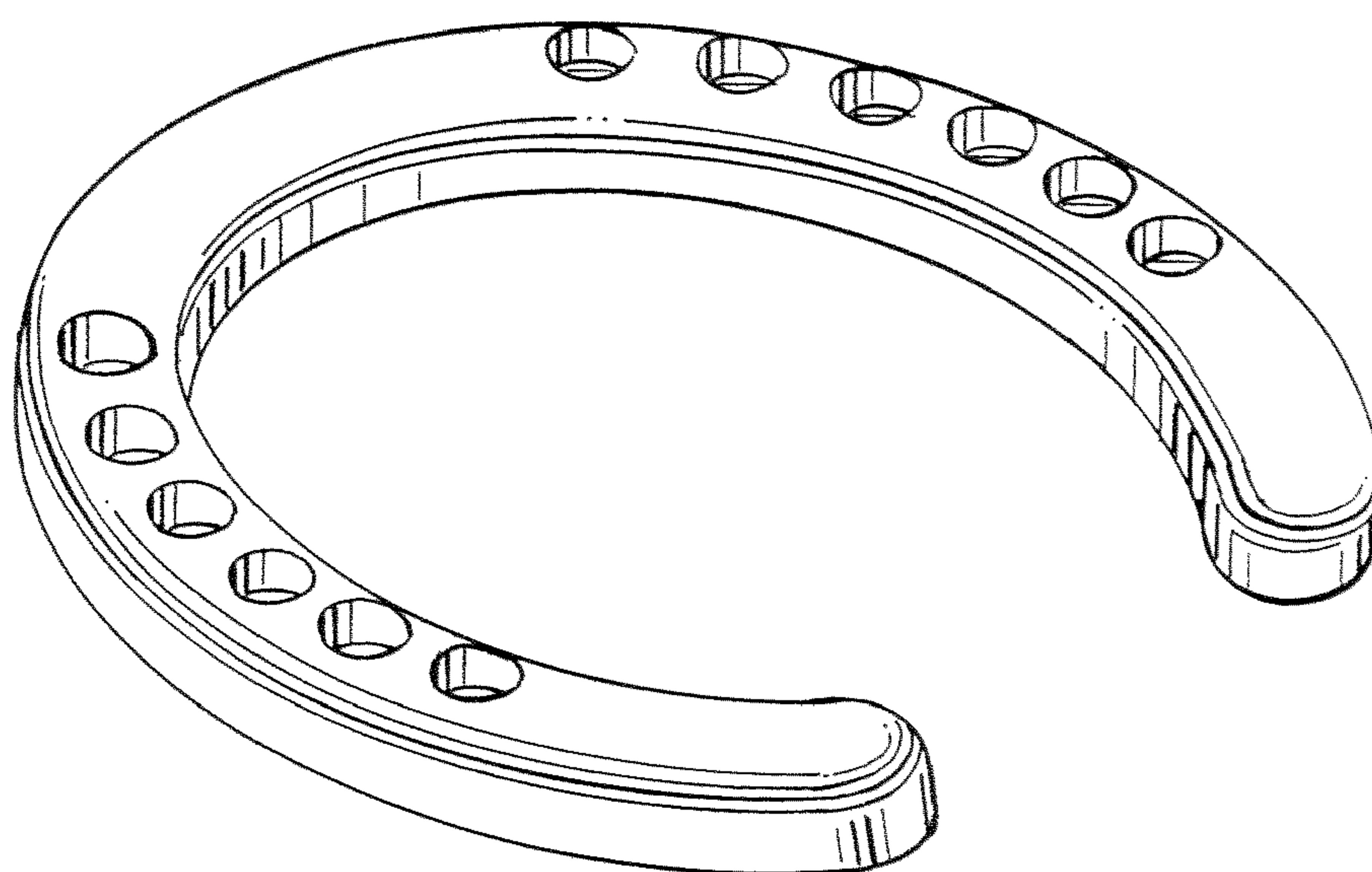


FIG. 6



FIG. 8

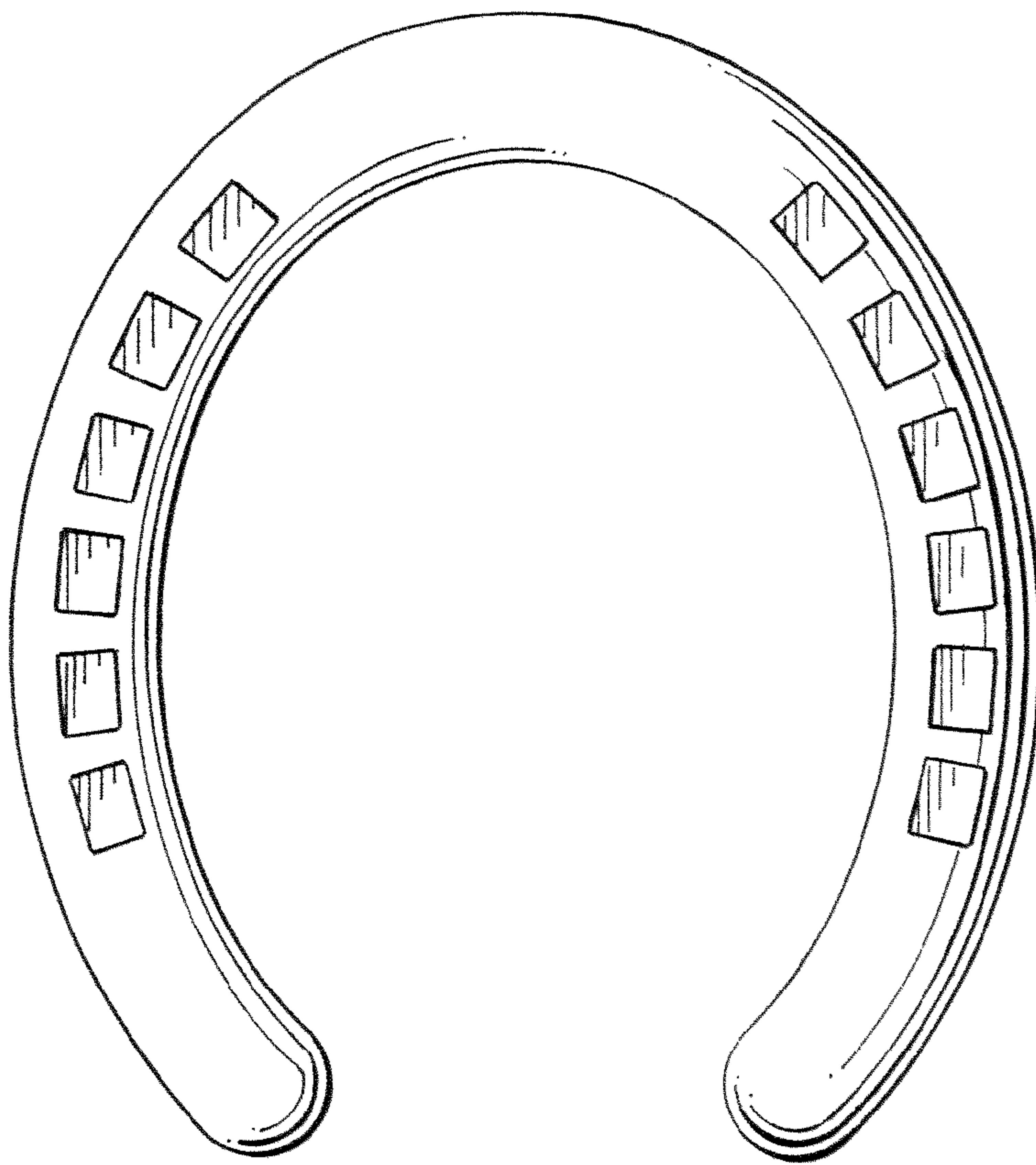


FIG. 7



FIG. 9

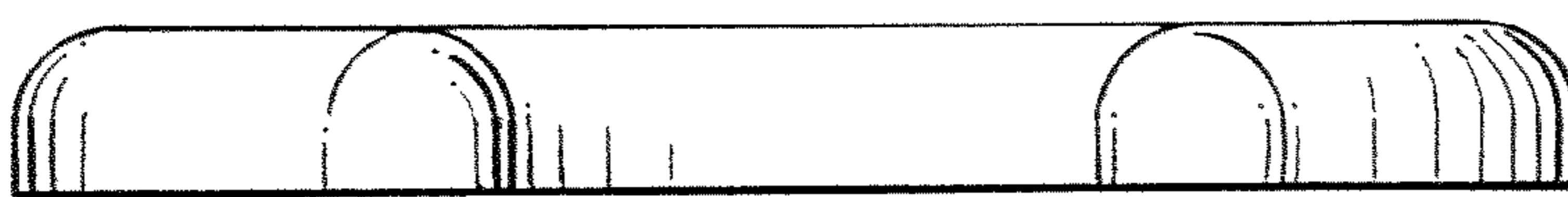


FIG. 10

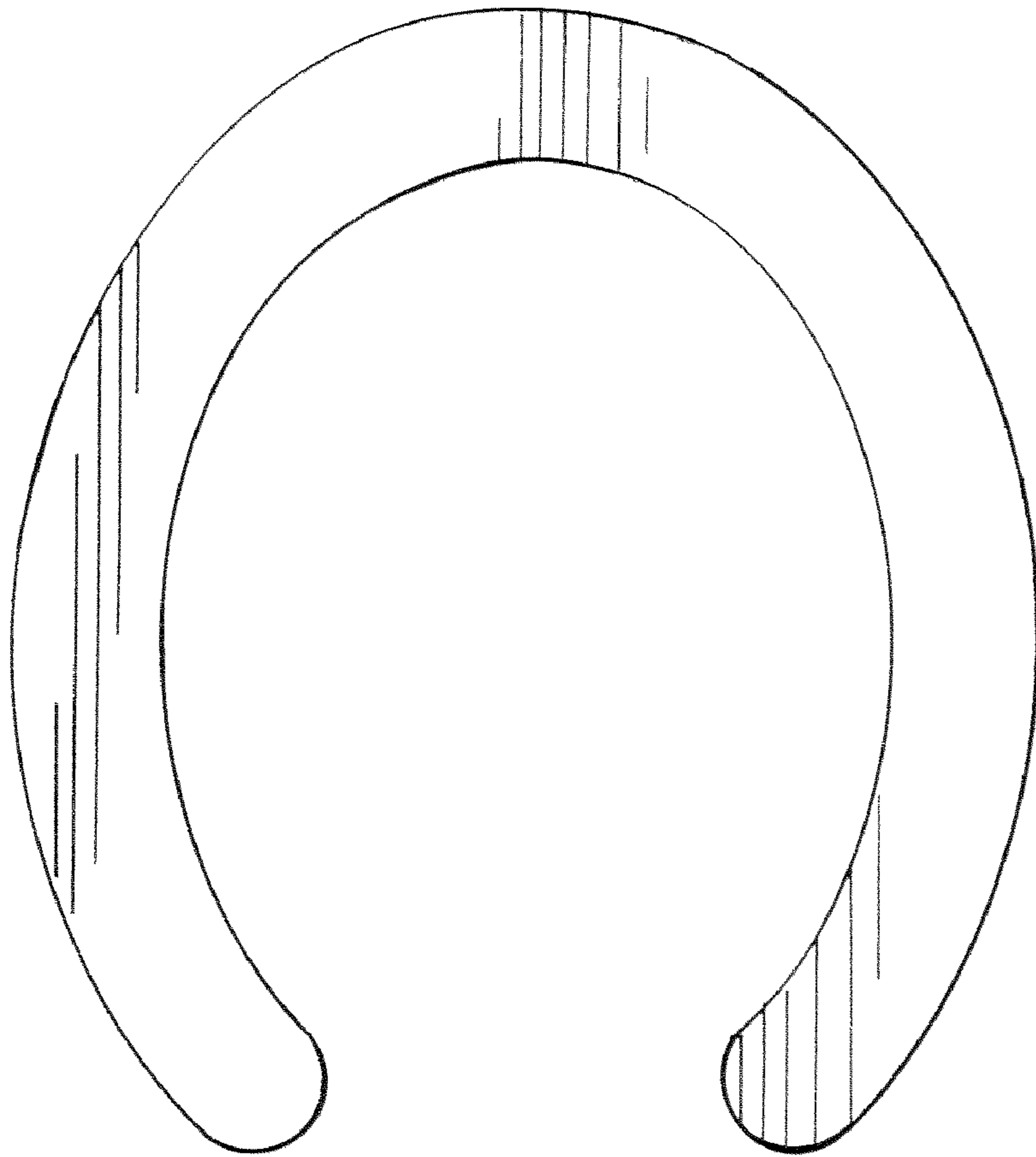


FIG. 11

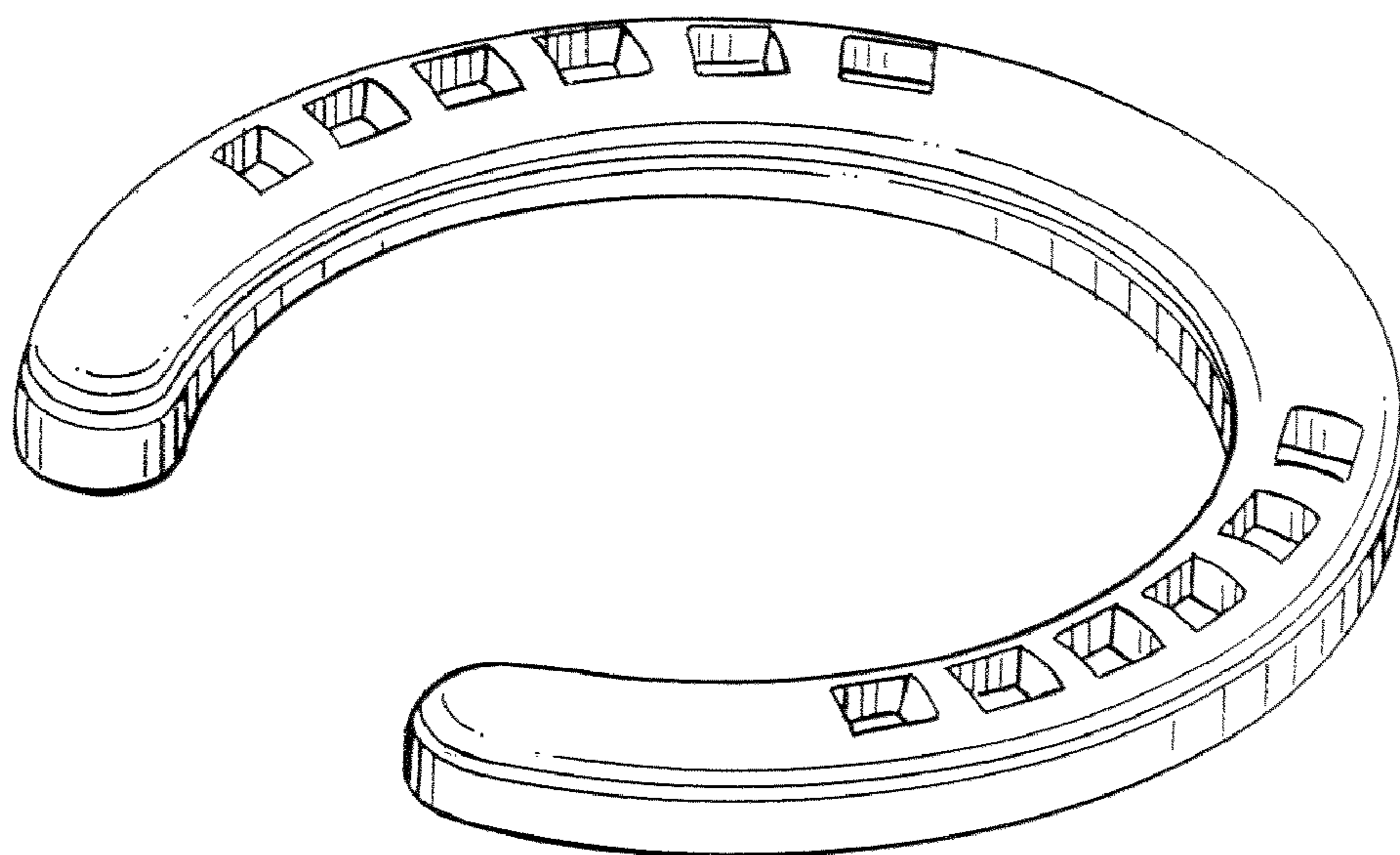


FIG. 12