



US00D587850S

(12) **United States Design Patent**
Kato et al.

(10) **Patent No.:** **US D587,850 S**
(45) **Date of Patent:** **** Mar. 3, 2009**

(54) **HAND DRYER**

(75) Inventors: **Hiroyuki Kato**, Chiyoda-ku (JP); **Kei Kasuga**, Chiyoda-ku (JP)

(73) Assignee: **Mitsubishi Electric Corporation**, Tokyo (JP)

(**) Term: **14 Years**

(21) Appl. No.: **29/303,901**

(22) Filed: **Feb. 20, 2008**

(30) **Foreign Application Priority Data**

Aug. 20, 2007 (JP) 2007-022468

(51) **LOC (9) Cl.** **28-03**

(52) **U.S. Cl.** **D28/54.1**

(58) **Field of Classification Search** D28/12,
D28/54.1, 58; 34/266, 201, 202; 392/381,
392/380; D23/357, 361, 385

See application file for complete search history.

(56) **References Cited**

U.S. PATENT DOCUMENTS

- 4,206,556 A * 6/1980 Sabo et al. 34/90
- D277,322 S * 1/1985 West D28/58
- D279,412 S * 6/1985 Fung D28/58
- D286,211 S * 10/1986 Zinbarg et al. D28/58
- D287,297 S * 12/1986 Reid et al. D28/12
- D292,326 S * 10/1987 Maass D28/12

- D294,740 S * 3/1988 Yonezawa et al. D28/12
- 4,754,769 A * 7/1988 Flynn 132/73.5
- D299,174 S * 12/1988 Shoemaker D28/58
- D326,511 S * 5/1992 Chiang D23/328

* cited by examiner

Primary Examiner—Janice E Seeger

Assistant Examiner—Zenia I Bennett

(74) *Attorney, Agent, or Firm*—Sughrue Mion, PLLC

(57) **CLAIM**

The ornamental design for a hand dryer, as shown and described.

DESCRIPTION

FIG. 1 is a front, top and right side perspective view showing my new design;

FIG. 2 is a front elevational view thereof;

FIG. 3 is a rear elevational view thereof;

FIG. 4 is a top plan view thereof;

FIG. 5 is a bottom plan view thereof;

FIG. 6 is a right side elevational view thereof;

FIG. 7 is a left side elevational view thereof; and,

FIG. 8 is an enlarged cross-sectional view thereof; taken along line 8—8 of FIG. 2, with the internal system omitted.

The broken lines in all views are shown for illustrative purposes only and form no part of the claimed design.

1 Claim, 5 Drawing Sheets

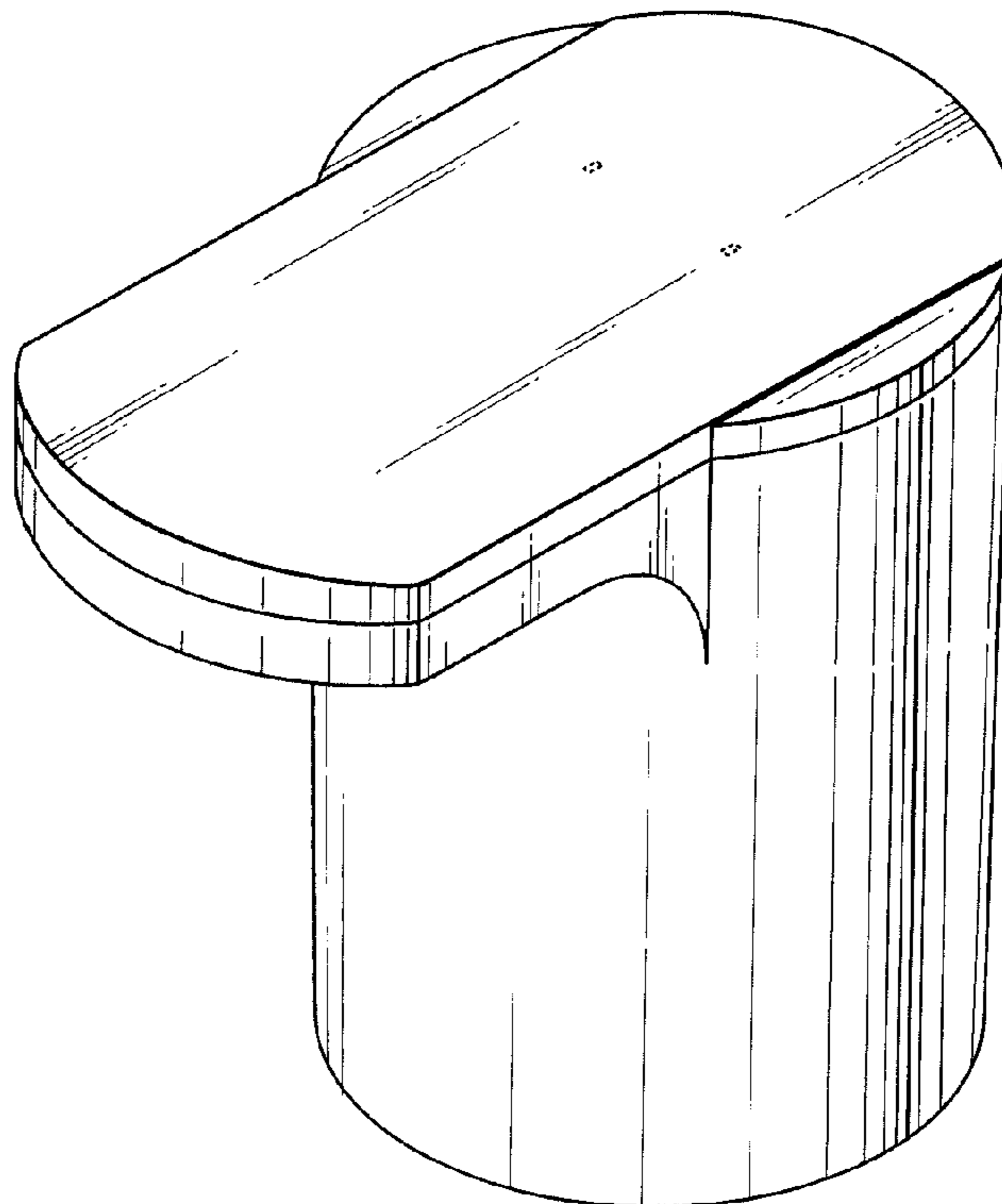


FIG. 1

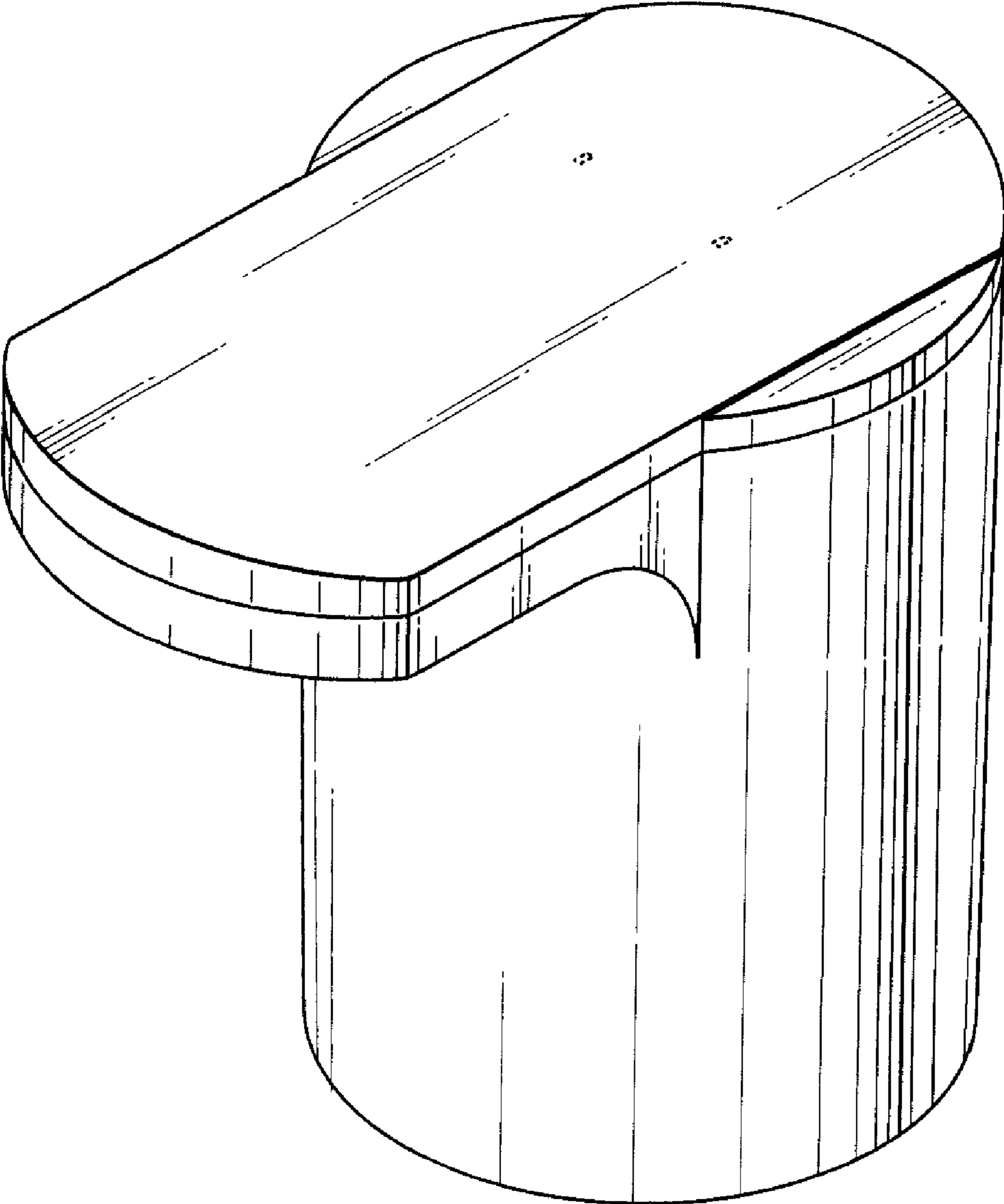
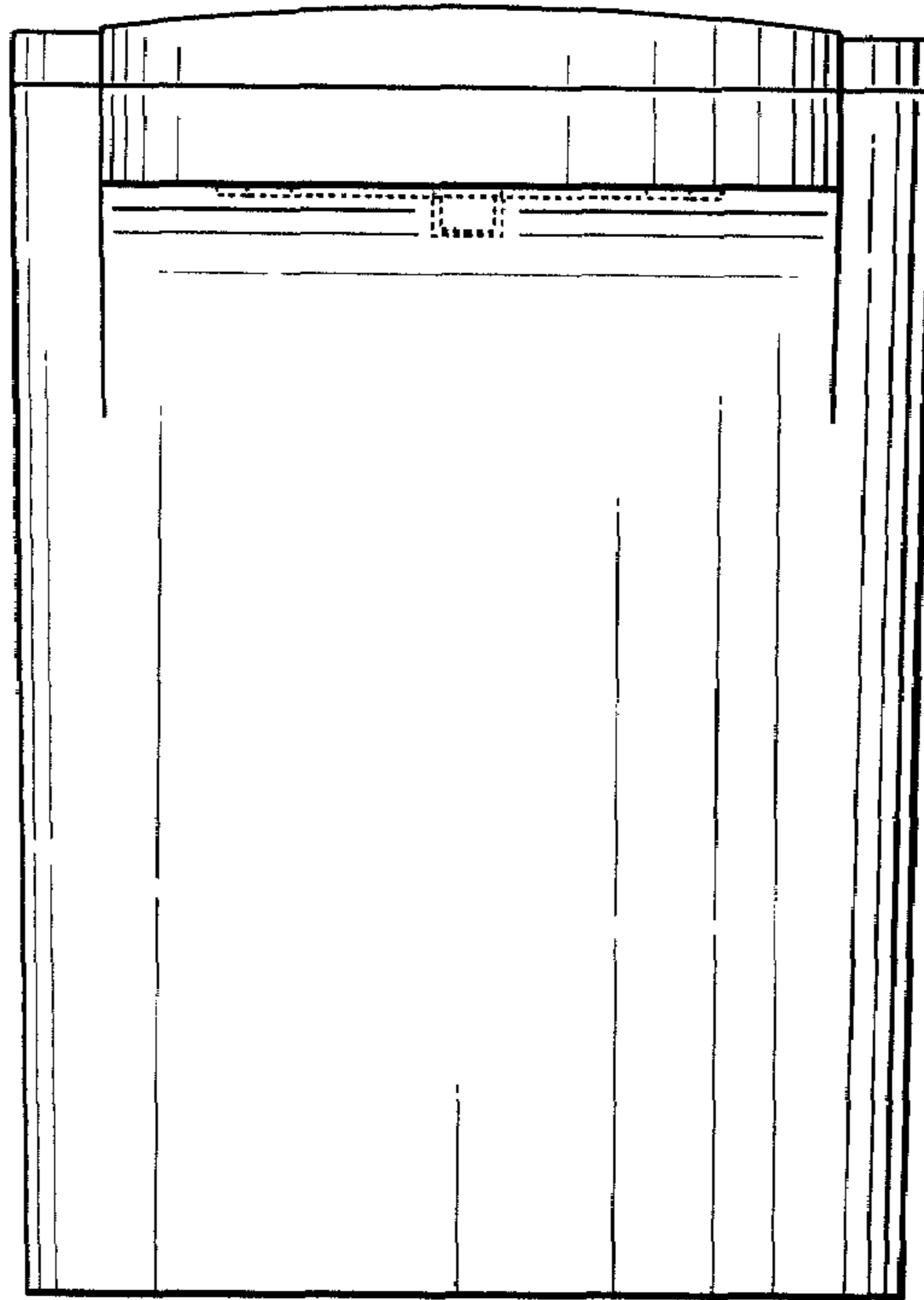


FIG.2

8 ←



8 ←

FIG.3

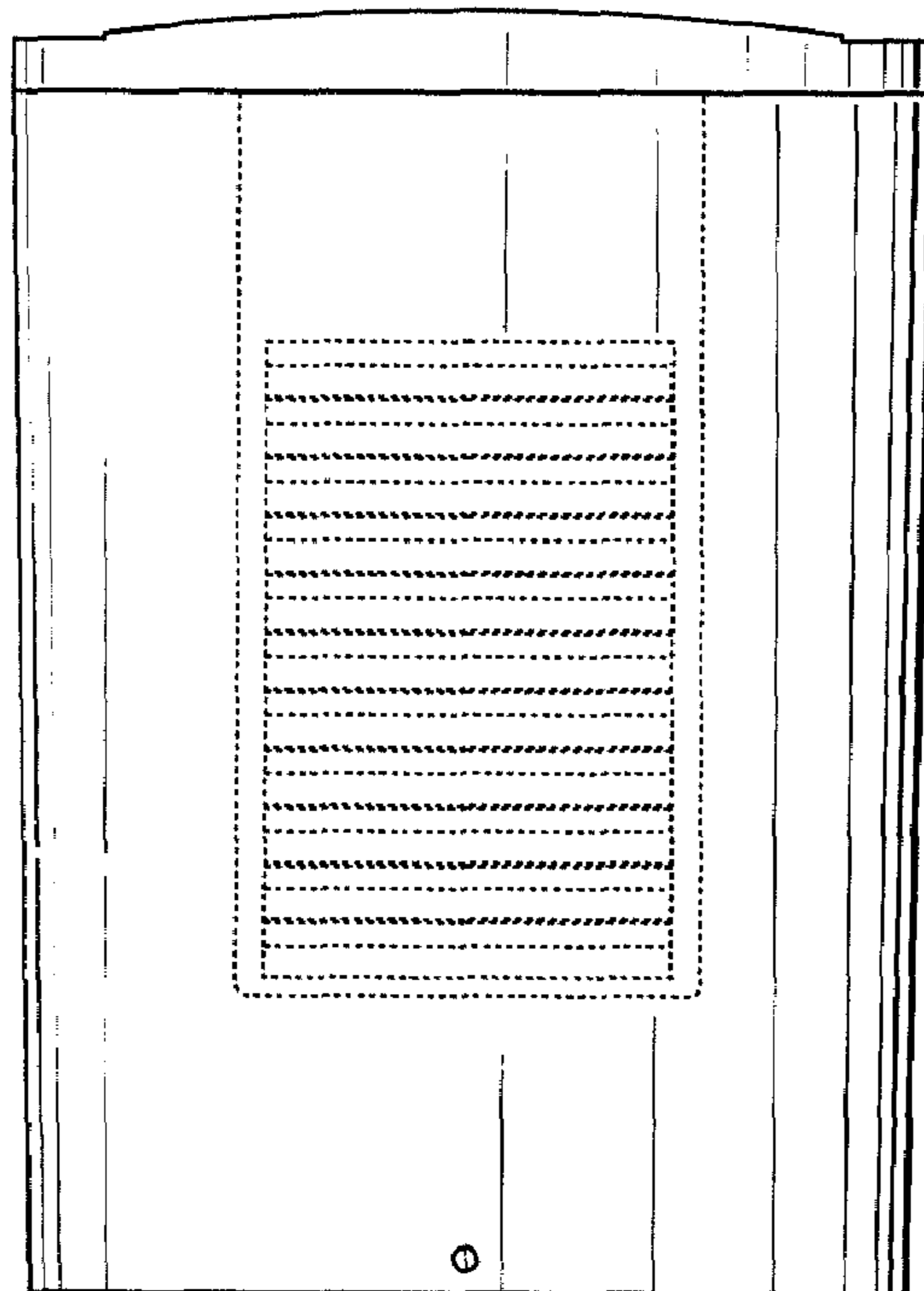


FIG.4

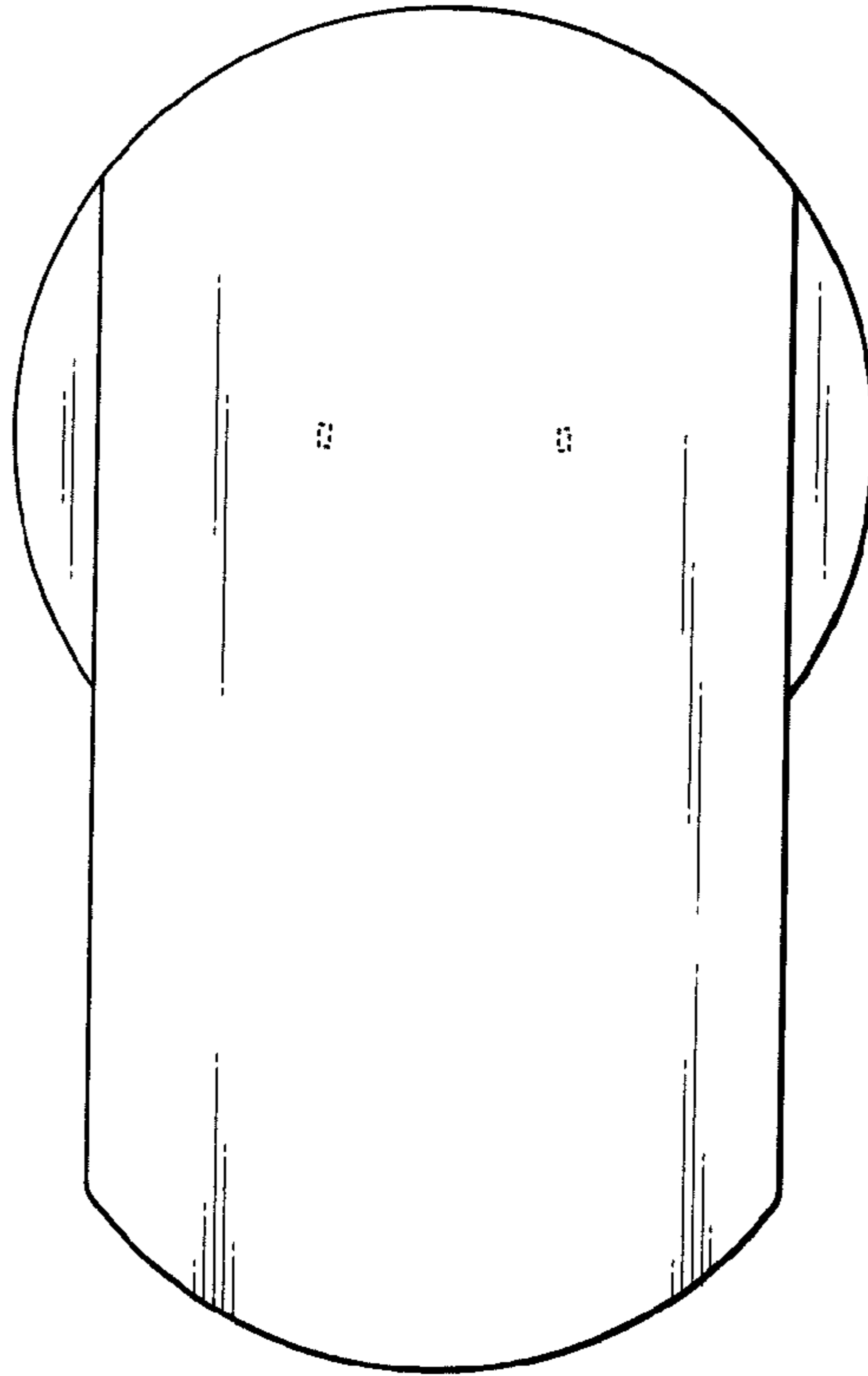


FIG.5

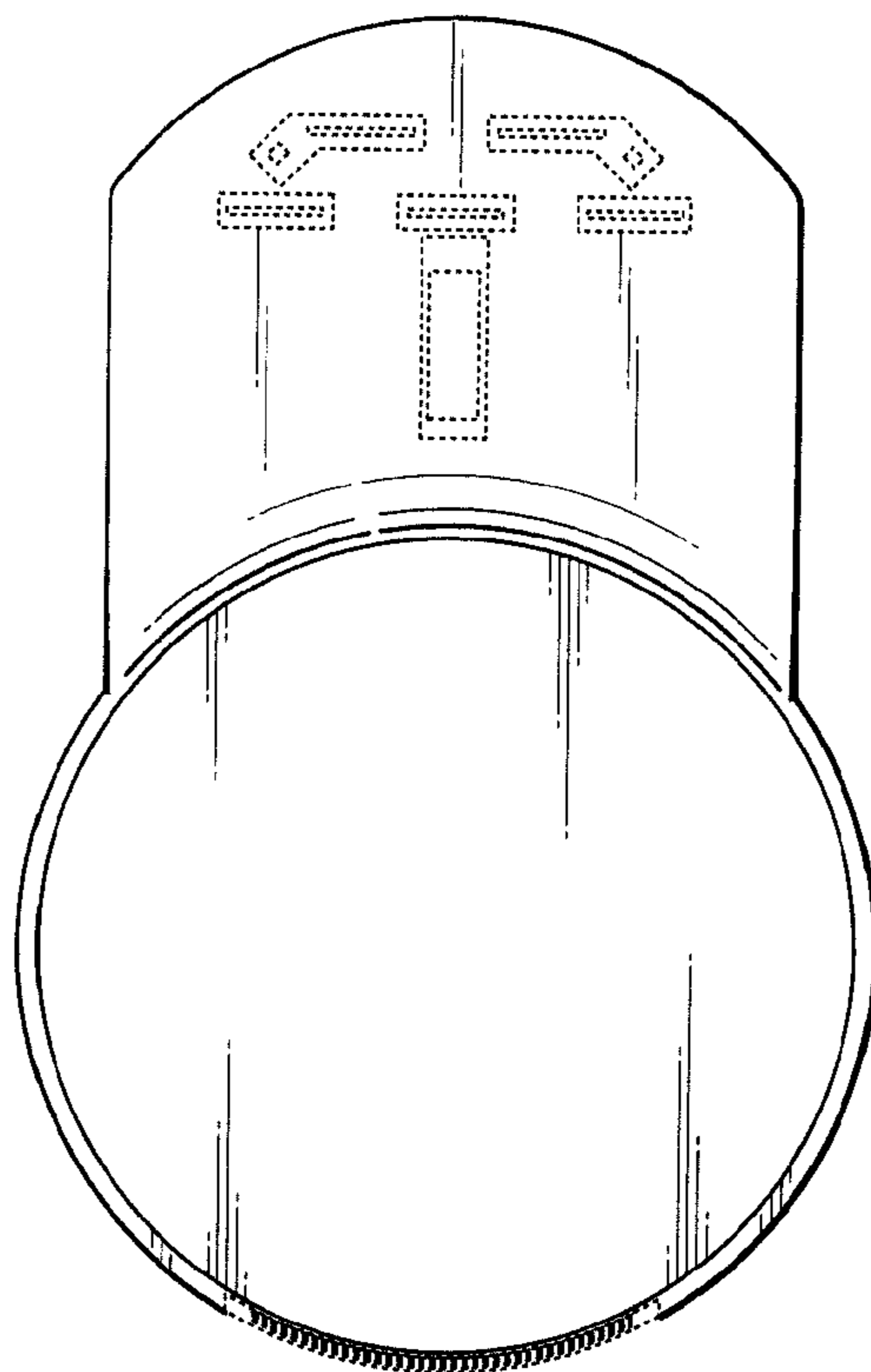


FIG.6

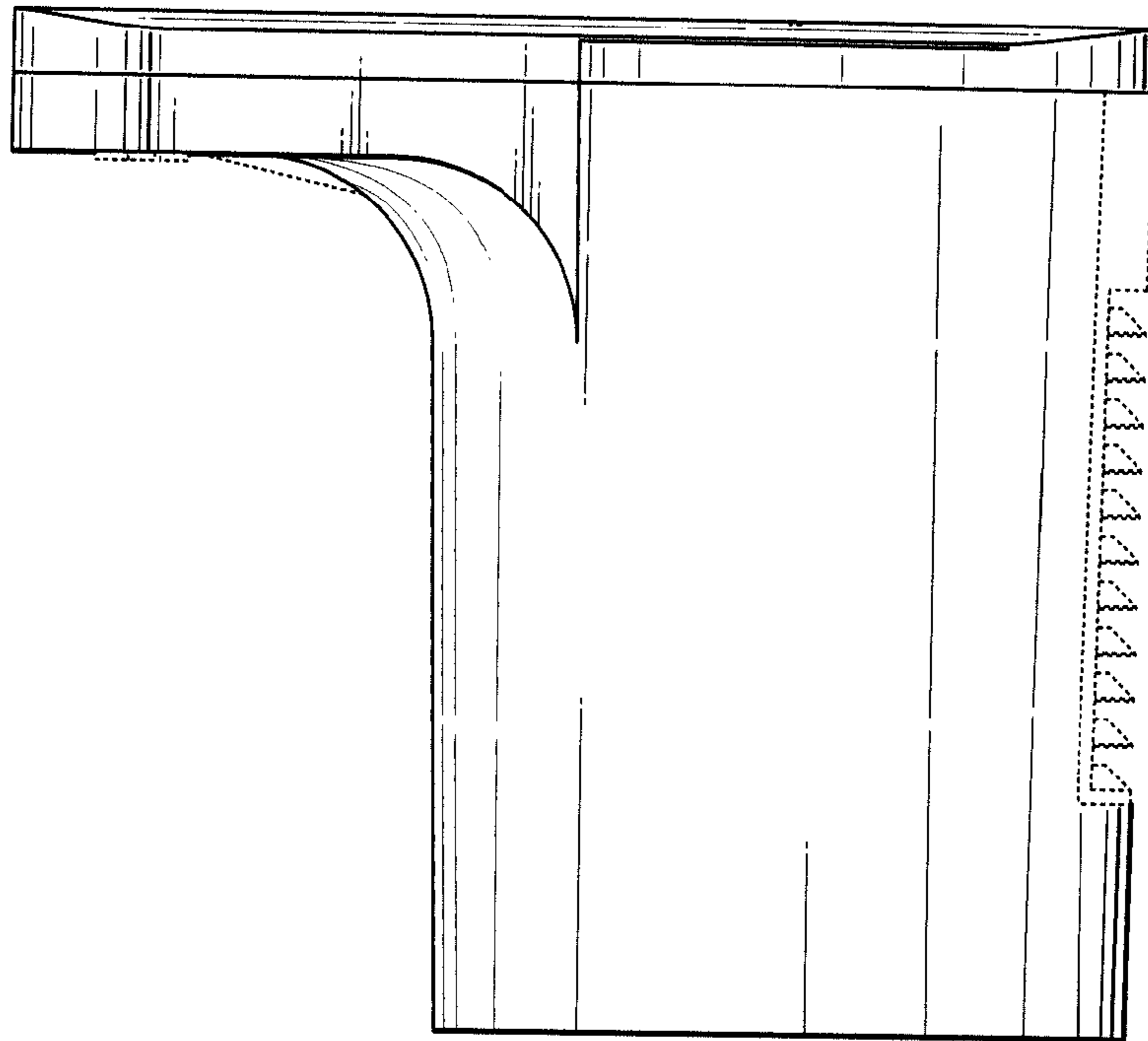


FIG.7

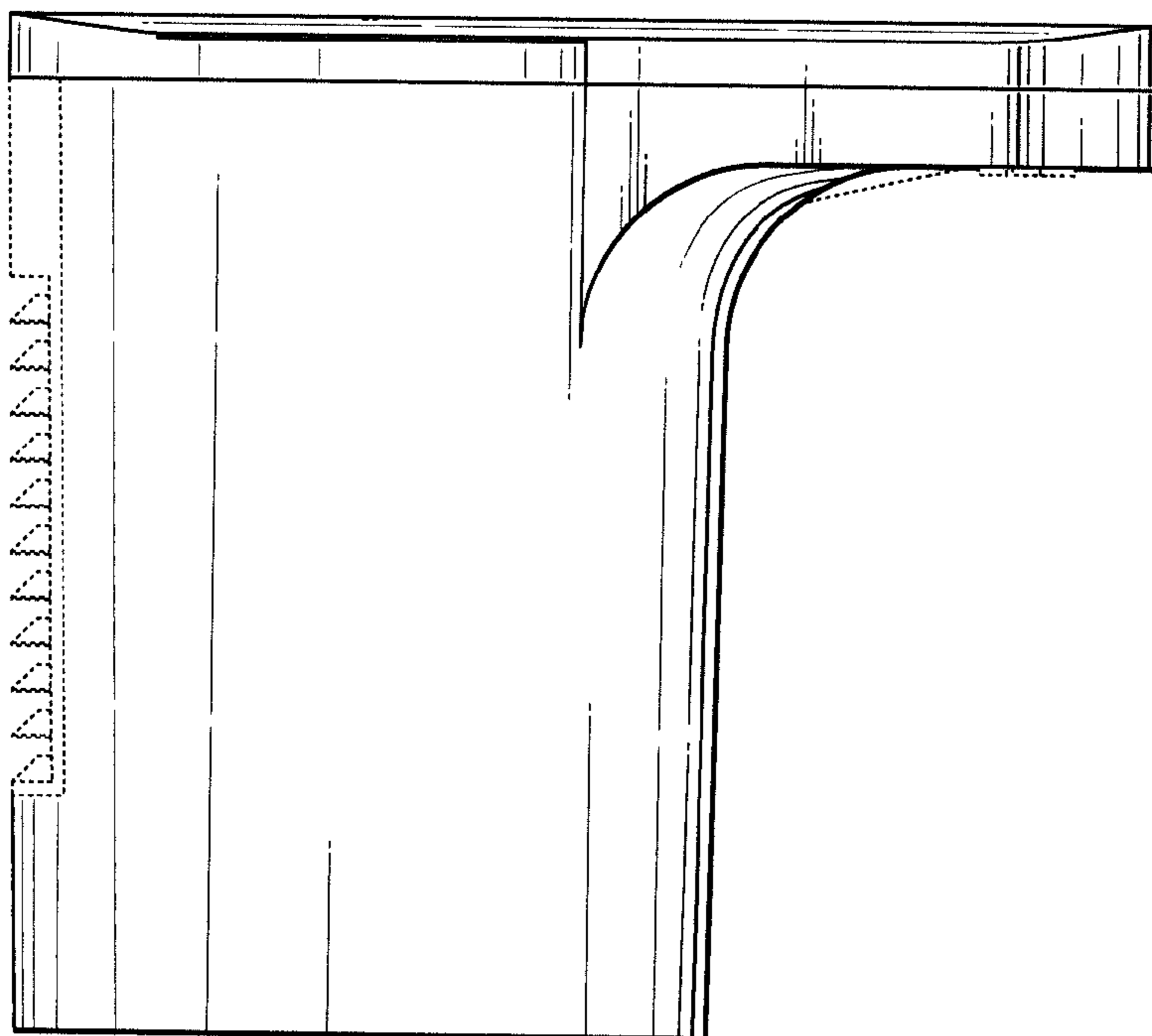


FIG.8

