



US00D587849S

(12) **United States Design Patent**
Nishizawa

(10) **Patent No.:** **US D587,849 S**
(45) **Date of Patent:** **** Mar. 3, 2009**

(54) **ELECTRIC SHAVER**

(75) Inventor: **Tsuyoshi Nishizawa**, Yokohama (JP)

(73) Assignee: **Matsushita Electric Works Co., Ltd.**,
Osaka (JP)

(**) Term: **14 Years**

(21) Appl. No.: **29/312,009**

(22) Filed: **Sep. 25, 2008**

(30) **Foreign Application Priority Data**

Mar. 31, 2008 (JP) 2008-007979

(51) **LOC (9) Cl.** **28-03**

(52) **U.S. Cl.** **D28/51**

(58) **Field of Classification Search** D28/44,
D28/44.1, 49-54; 30/29.5, 32, 34.05, 34.1,
30/43-43.92, 44-45, 47-50, 84, 527

See application file for complete search history.

(56) **References Cited**

U.S. PATENT DOCUMENTS

D479,360 S *	9/2003	Nishizawa et al.	D28/49
D514,254 S *	1/2006	Nishizawa	D28/49
D523,586 S *	6/2006	Nishizawa	D28/51
D571,957 S *	6/2008	Nishizawa	D28/51
2004/0231160 A1 *	11/2004	Shiba et al.	30/43.92
2007/0056166 A1 *	3/2007	Shiba et al.	30/44
2008/0134515 A1 *	6/2008	Sato et al.	30/43.91

* cited by examiner

Primary Examiner—Jennifer Rivard

(74) *Attorney, Agent, or Firm*—Osha • Liang LLP

(57) **CLAIM**

The ornamental design for an electric shaver, as shown and described.

DESCRIPTION

FIG. 1 is a perspective view of the design for an electric shaver according to the invention.

FIG. 2 is a front view of the design according to the invention.

FIG. 3 is a right side view of the design according to the invention.

FIG. 4 is a rear view of the design according to the invention.

FIG. 5 is a top view of the design according to the invention.

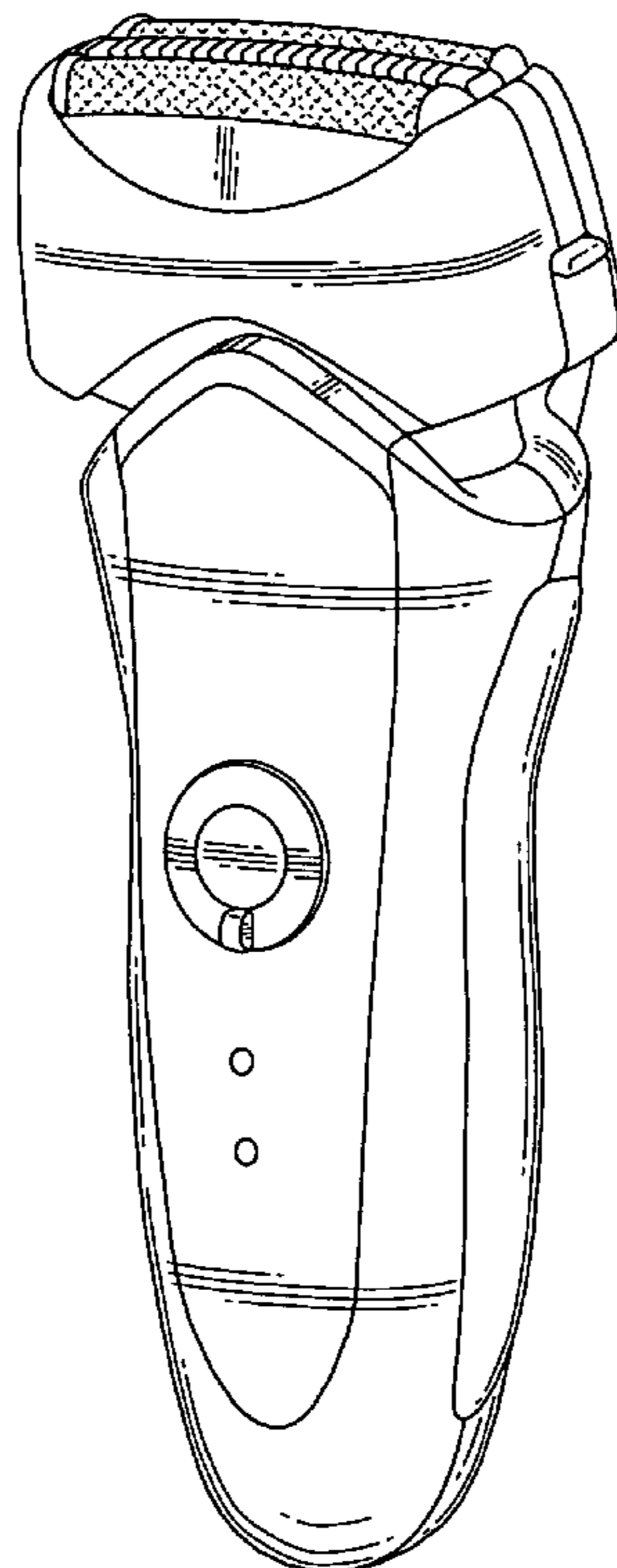
FIG. 6 is a bottom view of the design according to the invention; and,

FIG. 7 is a sectional view of the design along the line 7—7 in FIG. 2 according to the invention, where the internal components are omitted.

A left side view of the design according to the invention is a mirror image of the right side view as shown in FIG. 3.

The elements shown in broken lines are for illustrative purposes only and form no part of the claimed invention.

1 Claim, 4 Drawing Sheets



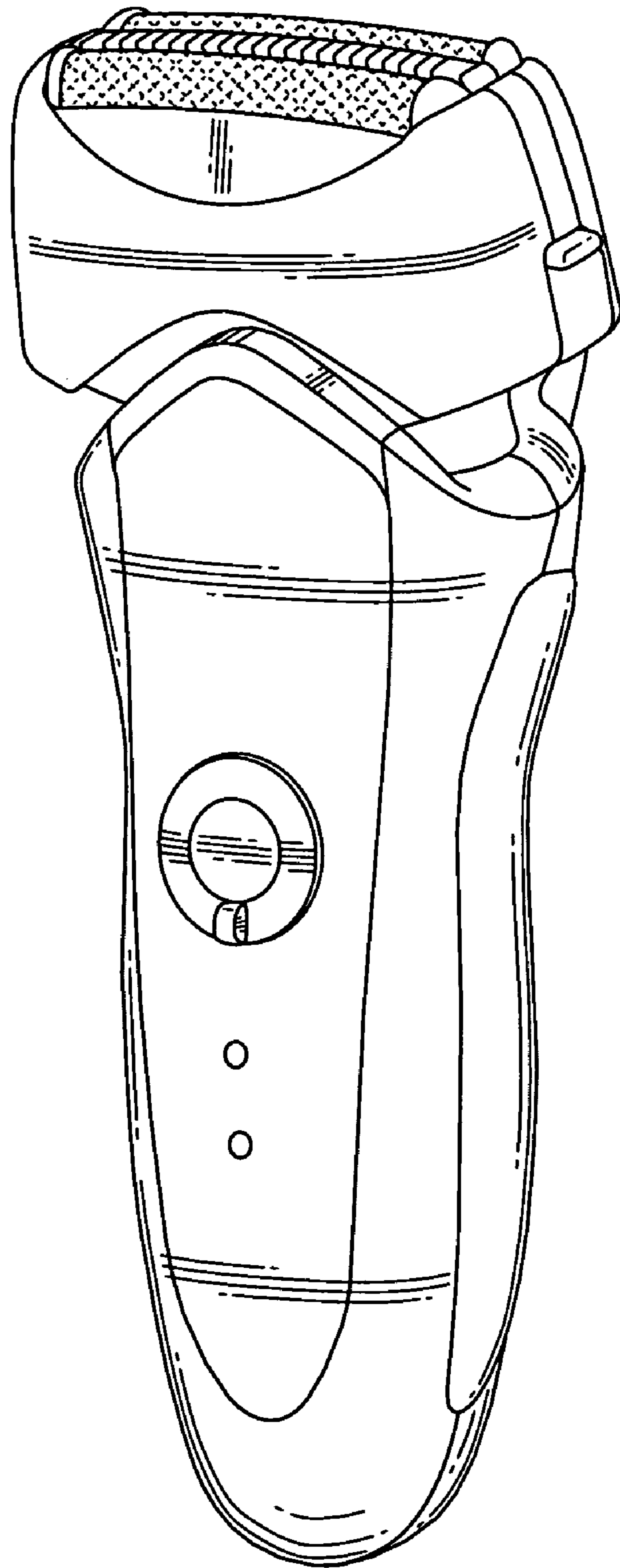
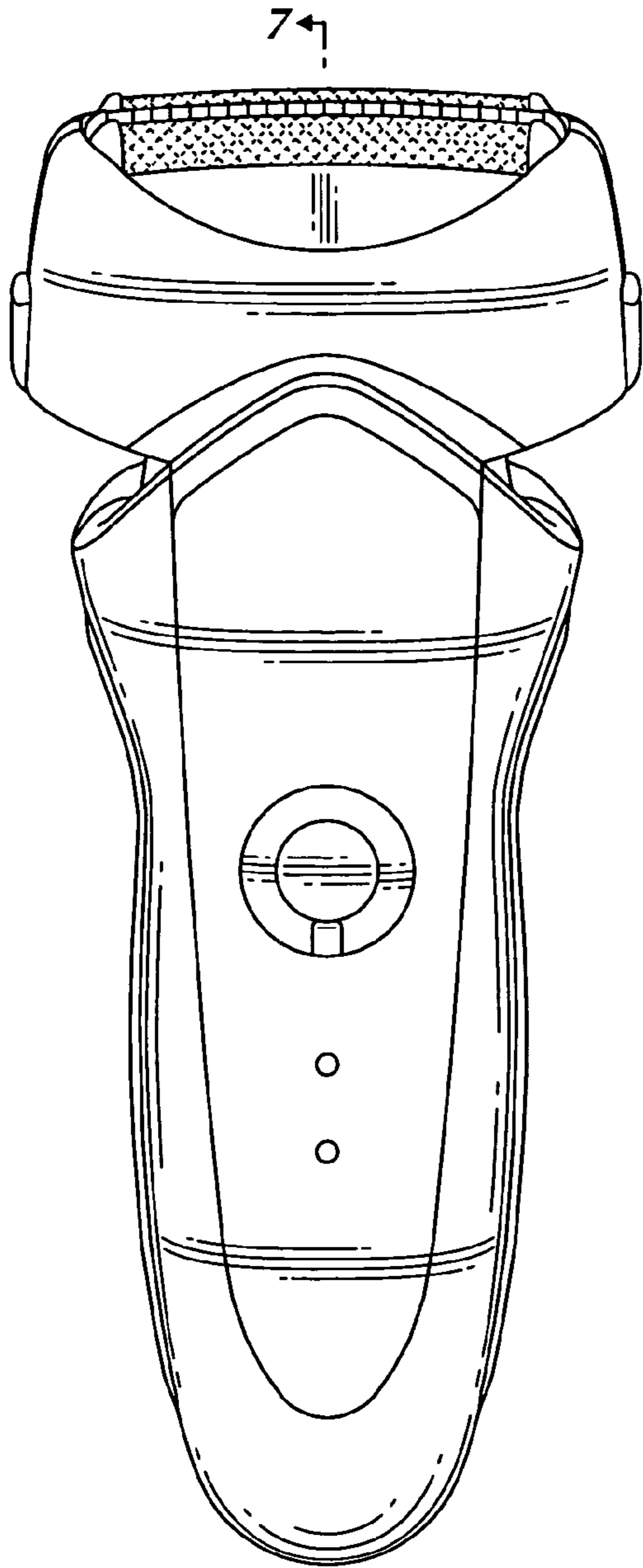


FIG. 1



74

FIG. 2

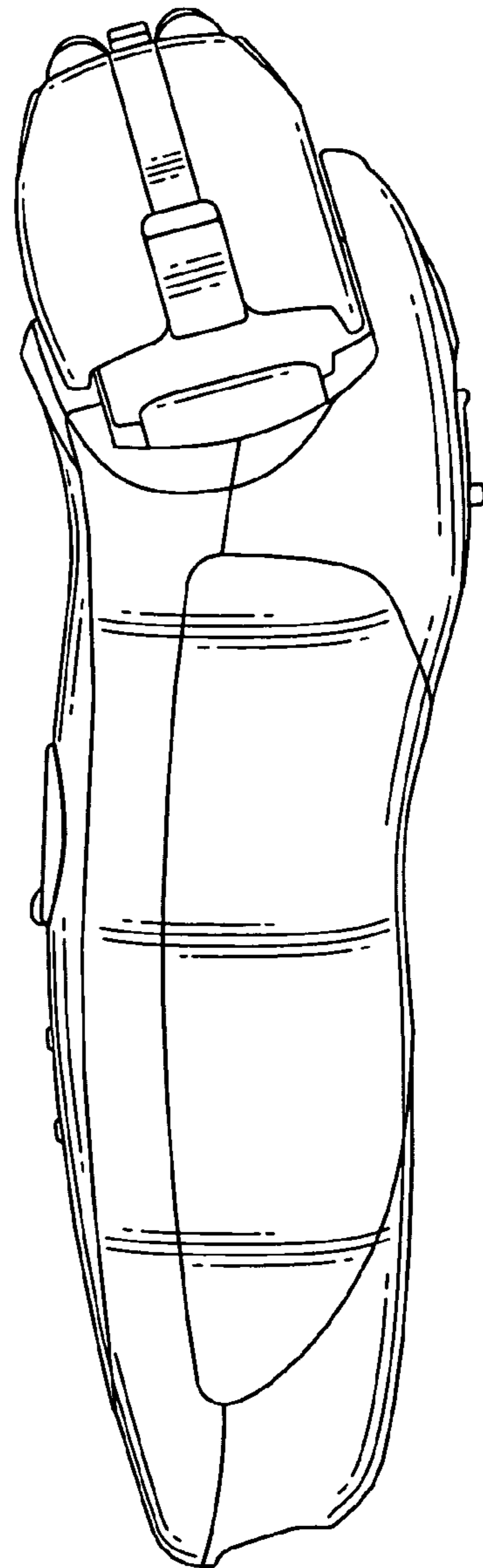


FIG. 3

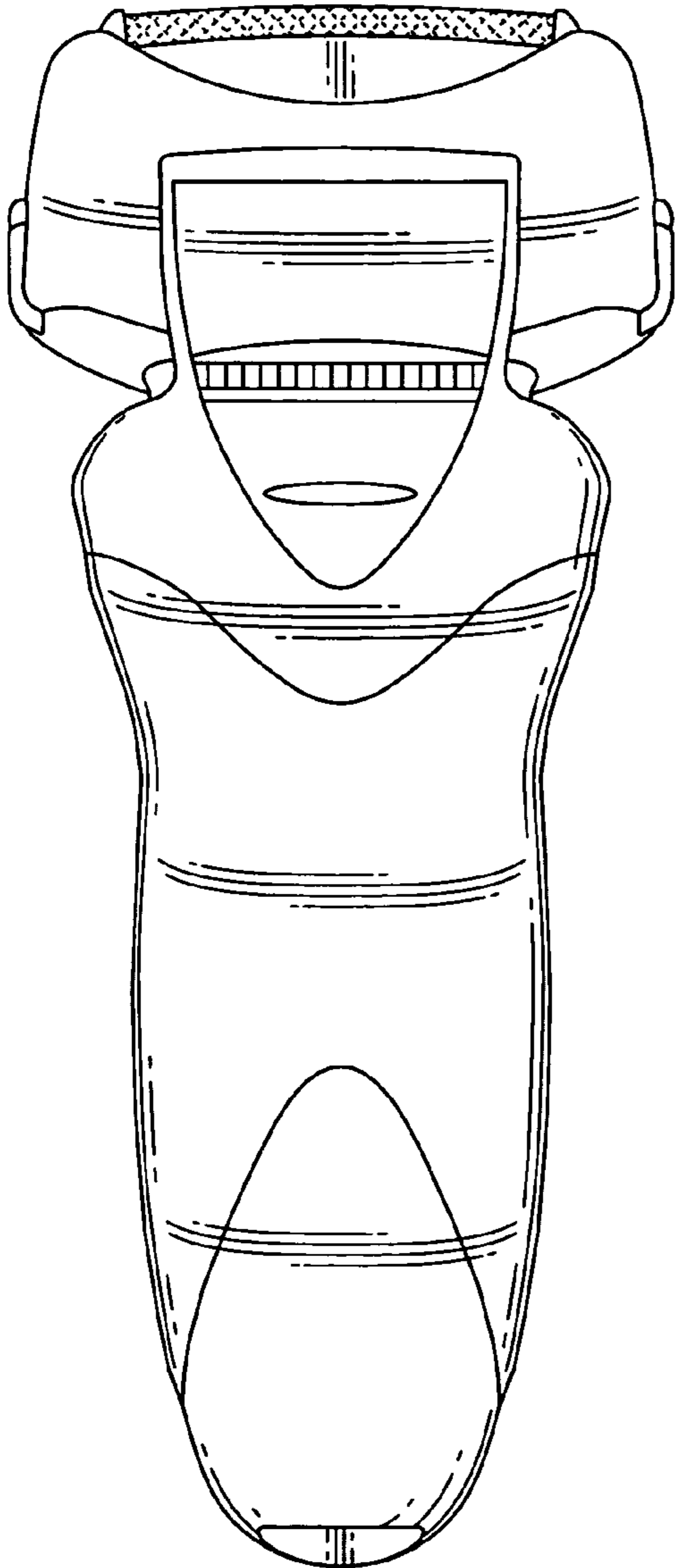


FIG. 4

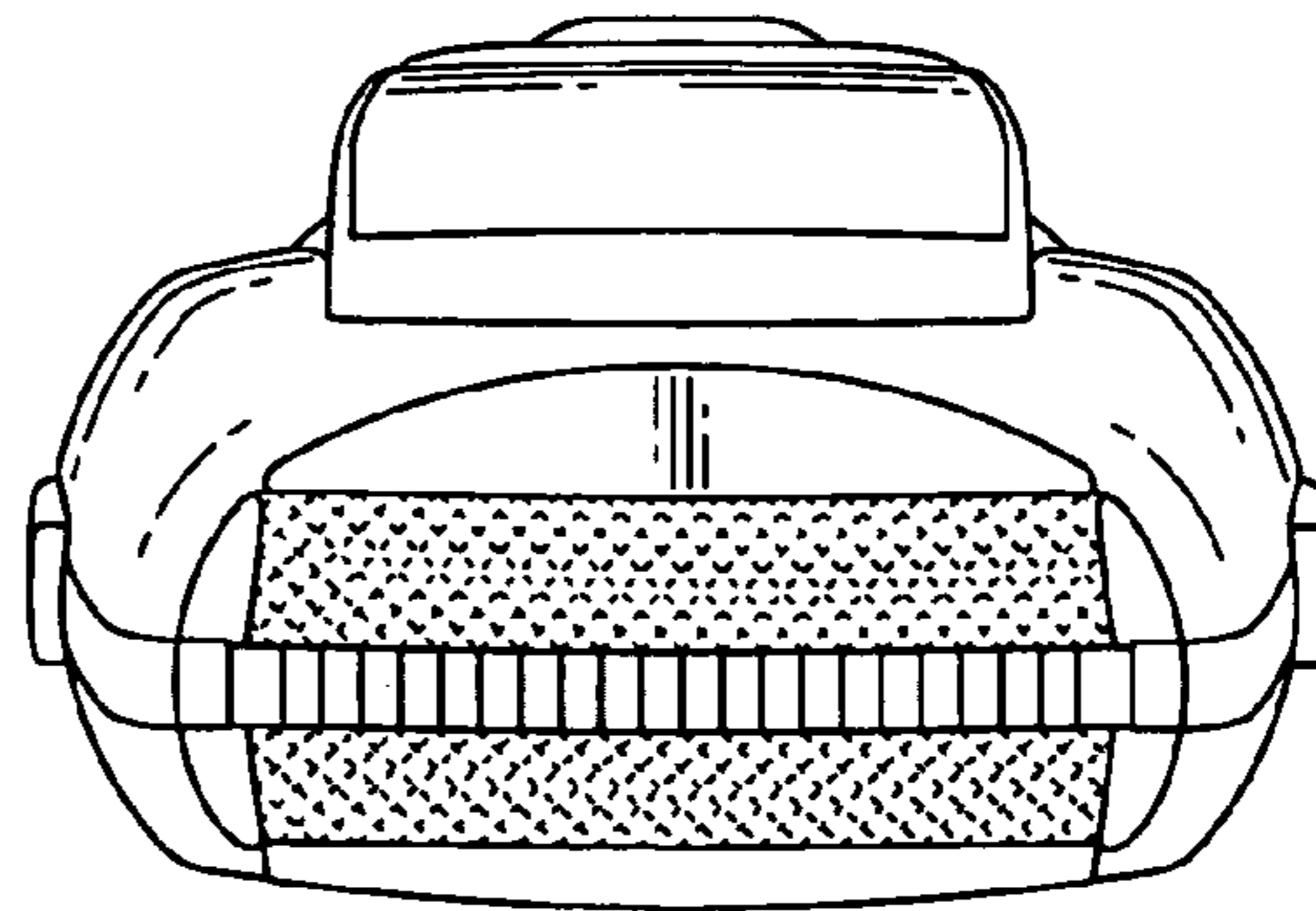


FIG. 5

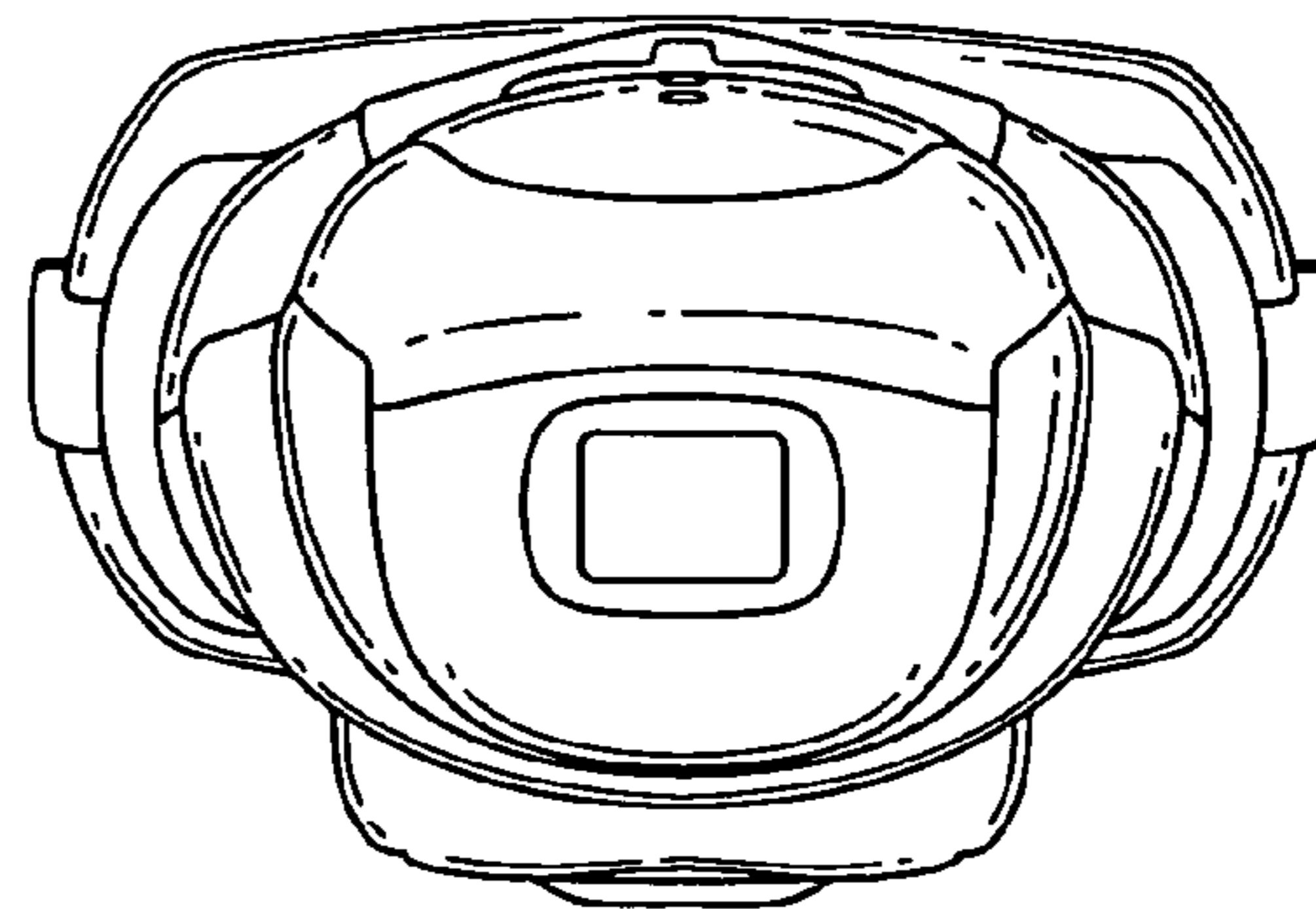


FIG. 6

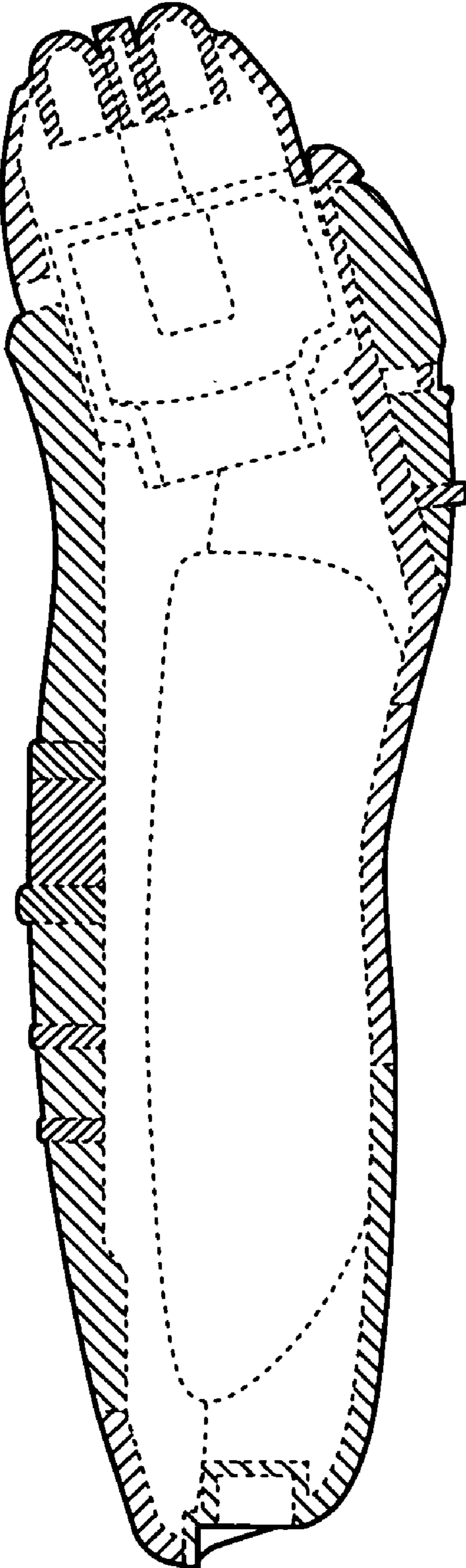


FIG. 7