



US00D587845S

(12) **United States Design Patent**
Mitchell et al.

(10) **Patent No.:** **US D587,845 S**
(45) **Date of Patent:** **** Mar. 3, 2009**

(54) **MANUAL RAZOR**

(76) Inventors: **Marty Mitchell**, 1801 Woods Ferry Rd.,
Lebanon, TN (US) 37087; **Michael**
Steed, 3819 E. 22nd St., Tulsa, OK (US)
74114

(**) Term: **14 Years**

(21) Appl. No.: **29/305,021**

(22) Filed: **Mar. 12, 2008**

(51) **LOC (9) Cl.** **28-03**

(52) **U.S. Cl.** **D28/46**

(58) **Field of Classification Search** 30/32,
30/34.05, 34.1–34.2, 41–41.8, 44–45, 48–50,
30/526–533; D28/44, 45–48
See application file for complete search history.

(56) **References Cited**

U.S. PATENT DOCUMENTS

D475,805 S * 6/2003 Summers D28/45
D500,388 S * 12/2004 Mitchell et al. D28/46
D579,152 S * 10/2008 Kwak D28/46

* cited by examiner

Primary Examiner—Jennifer Rivard
(74) *Attorney, Agent, or Firm*—Sturm & Fix LLP

(57) **CLAIM**

The ornamental design for a manual razor, as shown and described.

DESCRIPTION

FIG. 1 is a perspective view of the manual razor showing our new design;

FIG. 2 is a greatly enlarged partial perspective view of the proximal end of the handle of the razor;

FIG. 3 is a bottom plan view of the razor;

FIG. 4 is a top plan view thereof;

FIG. 5 is a right side elevational view thereof;

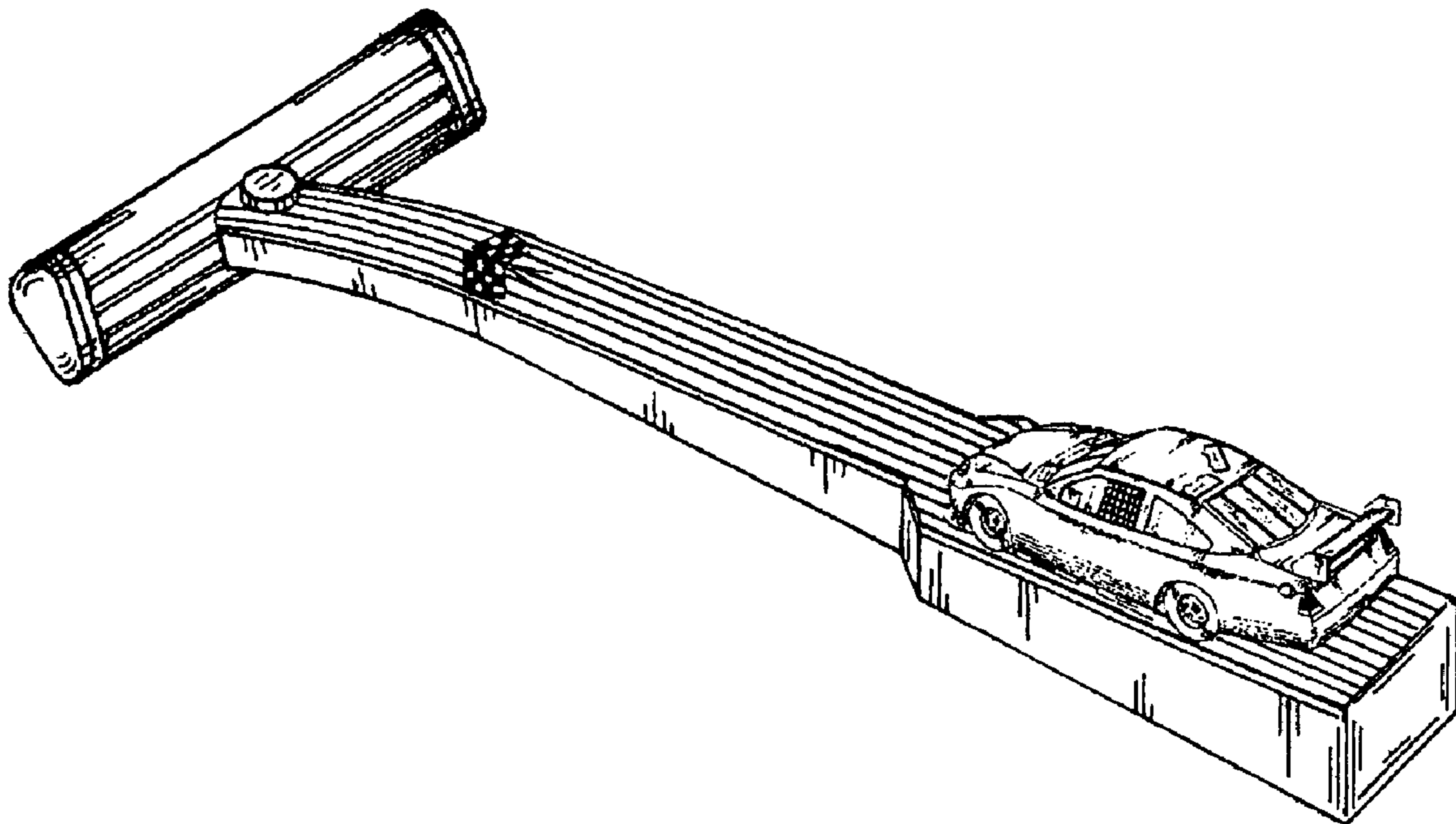
FIG. 6 is a left side elevational view thereof;

FIG. 7 is a front elevational view thereof; and,

FIG. 8 is a rear elevational view thereof.

The proximal end of the razor handle is disclosed separately in FIG. 2 for convenience of illustration.

1 Claim, 5 Drawing Sheets



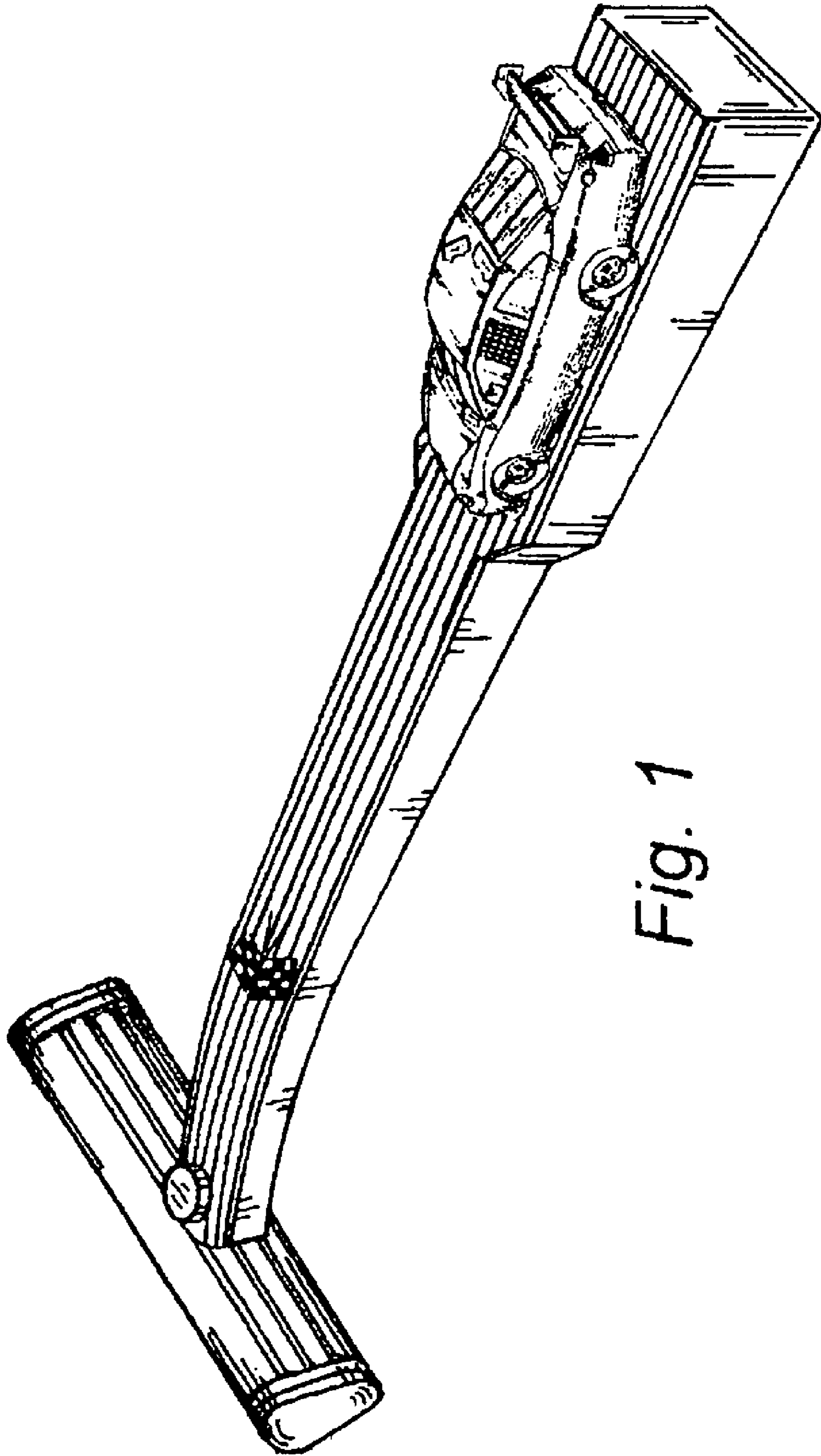


Fig. 1

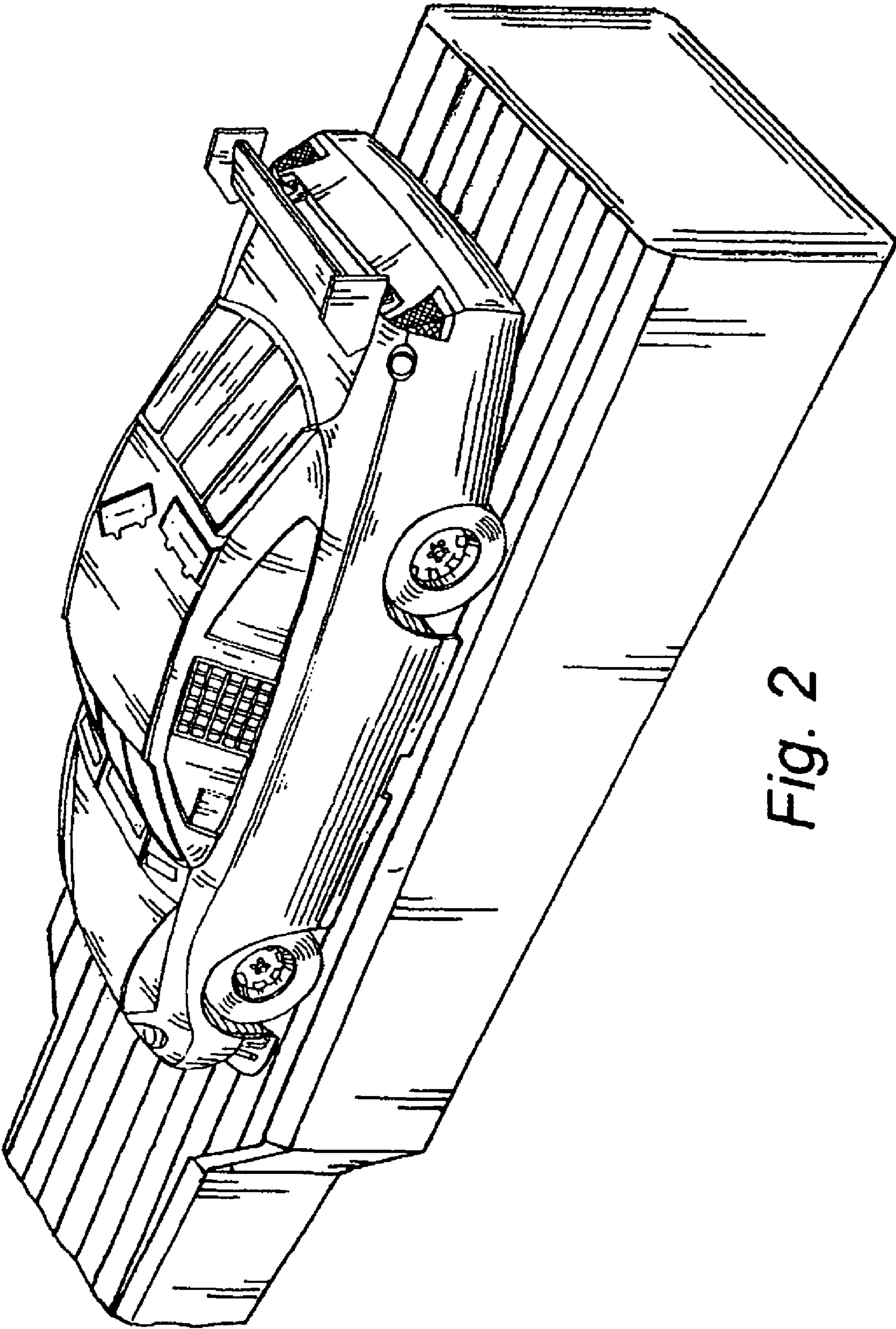


Fig. 2

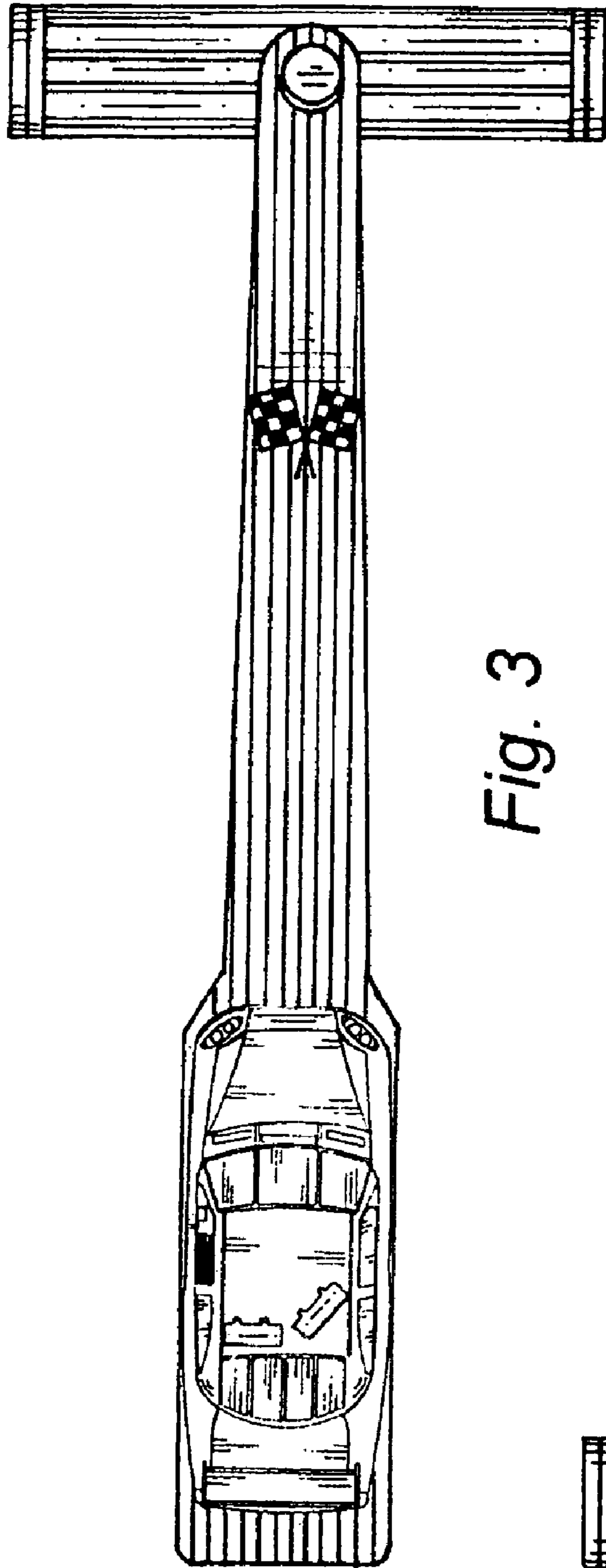


Fig. 3

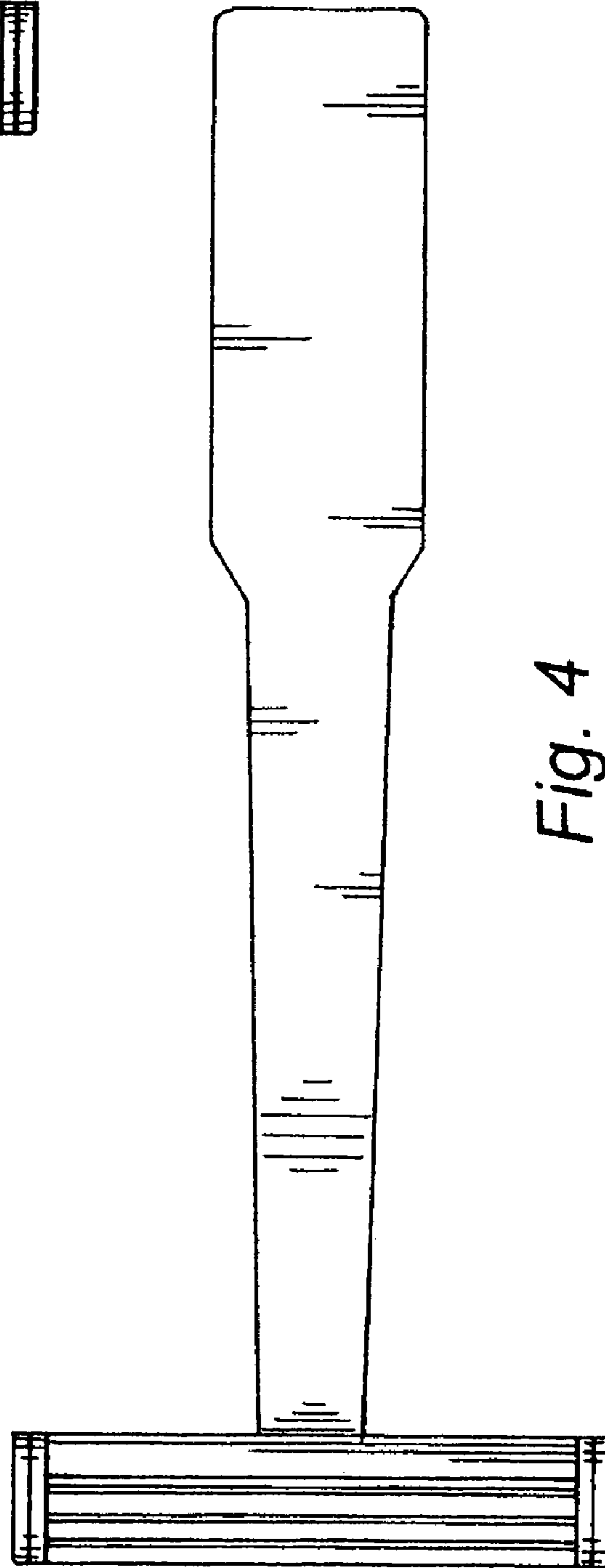


Fig. 4

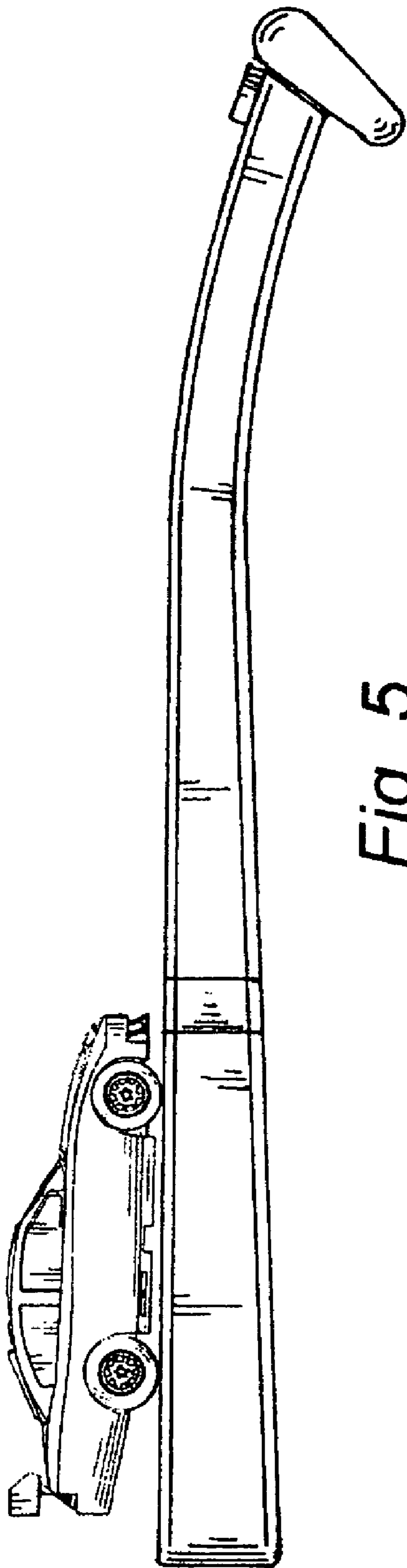


Fig. 5

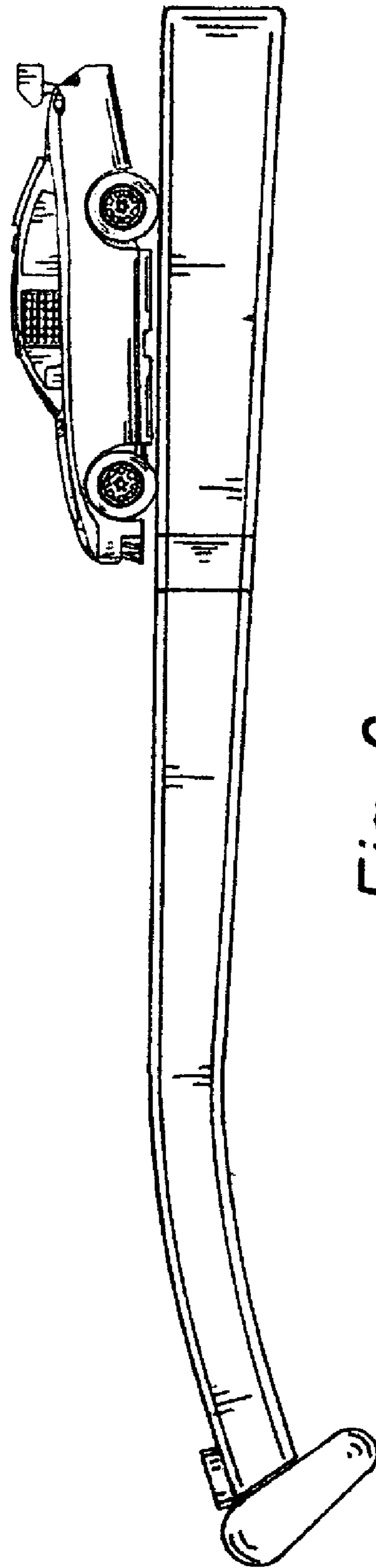


Fig. 6

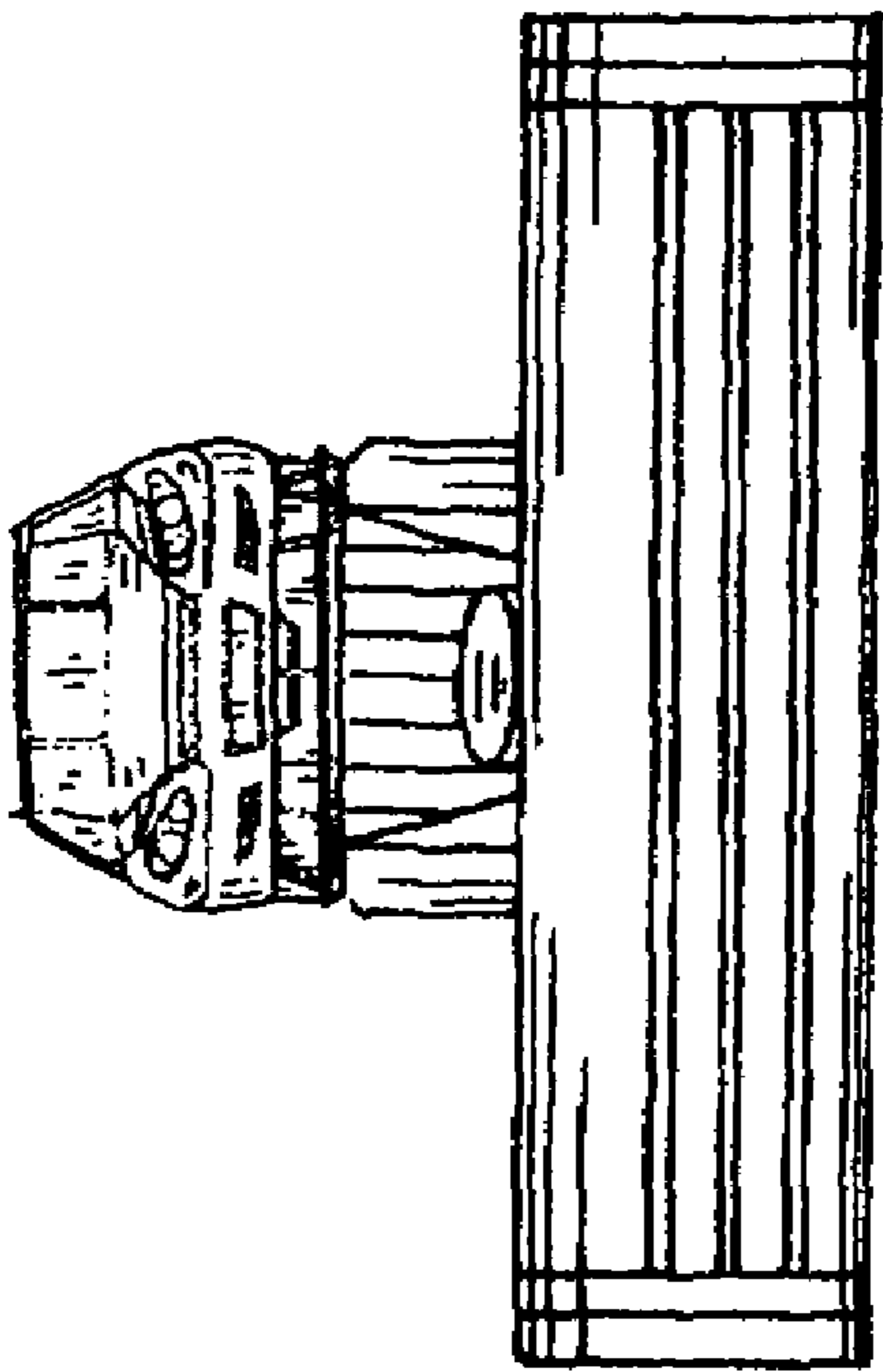


Fig. 7

Fig. 8

