



US00D587844S

(12) **United States Design Patent**
Slavin et al.

(10) **Patent No.:** **US D587,844 S**
(45) **Date of Patent:** **** Mar. 3, 2009**

(54) **LOTION APPLICATOR**

(75) Inventors: **Kate R. Slavin**, 601 W. 57th St., Apt. 29A, New York, NY (US) 10019;
Lindsay N. Krembs, Brooklyn, NY (US); **Christian Von Heifner**, New York, NY (US)

(73) Assignee: **Kate R. Slavin**, New York, NY (US)

(**) Term: **14 Years**

(21) Appl. No.: **29/283,996**

(22) Filed: **Aug. 29, 2007**

(51) **LOC (9) Cl.** **28-02**

(52) **U.S. Cl.** **D28/7**

(58) **Field of Classification Search** D28/7,
D28/63, 91.2; D24/119; 15/104.94, 209.1,
15/210.1; 401/136; 601/138

See application file for complete search history.

(56) **References Cited**

U.S. PATENT DOCUMENTS

D387,480	S	*	12/1997	Esraelian	D28/7
5,692,261	A	*	12/1997	Lops	15/209.1
D408,944	S		4/1999	Petschow	D28/7
D447,279	S	*	8/2001	Altobellis et al.	D28/7
D473,343	S	*	4/2003	Carruba et al.	D28/63
D487,164	S	*	2/2004	Denton	D28/7
D490,614	S	*	6/2004	Katz et al.	D4/127
D503,828	S	*	4/2005	Hodge	D28/7
D506,028	S	*	6/2005	Dickey	D28/7
D511,021	S	*	10/2005	Angeletta	D28/7
D518,597	S	*	4/2006	Sommers	D28/7
D552,792	S	*	10/2007	Bargiel et al.	D28/7

* cited by examiner

Primary Examiner—Janice E Seeger

Assistant Examiner—Zenia I Bennett

(74) *Attorney, Agent, or Firm*—Robert C. Kain, Jr.

(57) **CLAIM**

We claim the ornamental design for a lotion applicator, as shown and described.

DESCRIPTION

FIG. 1 is a front elevational view of the lotion applicator in a fully extended configuration.

FIG. 2 is rear elevational view of the lotion applicator shown in FIG. 1.

FIG. 3 is a left side view of the lotion applicator shown in FIG. 1 (the right side view being a mirror image of the left side view).

FIG. 4 is a bottom view of view of the lotion applicator shown in FIG. 1.

FIG. 5 is a top view of the lotion applicator shown in FIG. 1.

FIG. 6 is a front elevational view of the lotion applicator in a collapsed handle configuration.

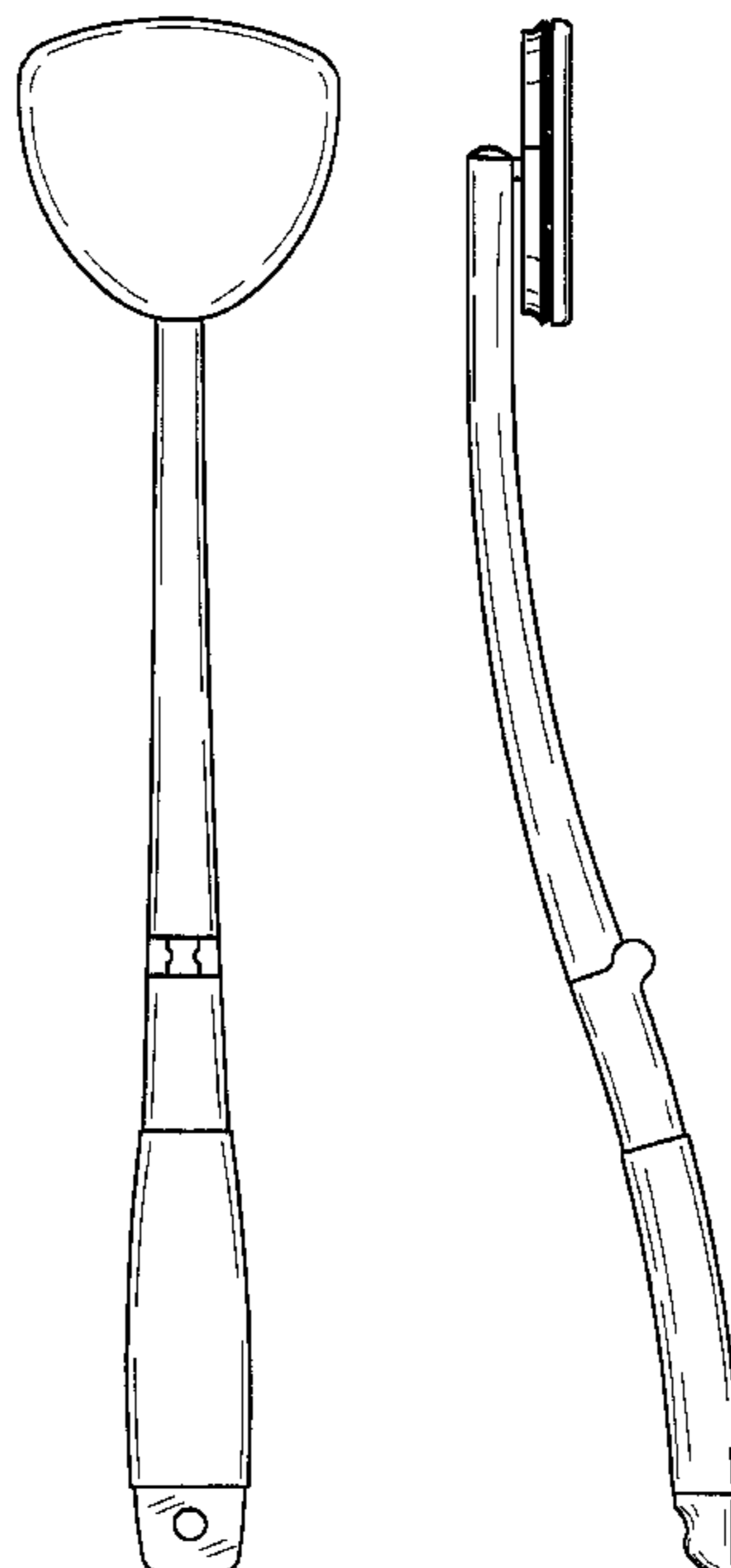
FIG. 7 is rear elevational view of the lotion applicator shown in FIG. 6.

FIG. 8 is a left side view of the lotion applicator shown in FIG. 6 (the right side view being a mirror image of the left side view).

FIG. 9 is a top view of view of the lotion applicator shown in FIG. 6; and,

FIG. 10 is a bottom view of the lotion applicator shown in FIG. 6.

1 Claim, 5 Drawing Sheets



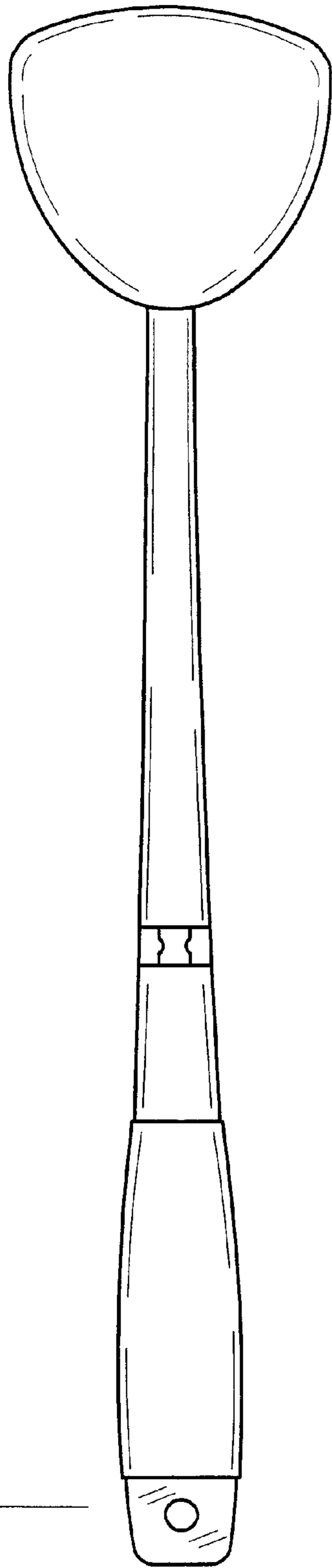


FIG.1

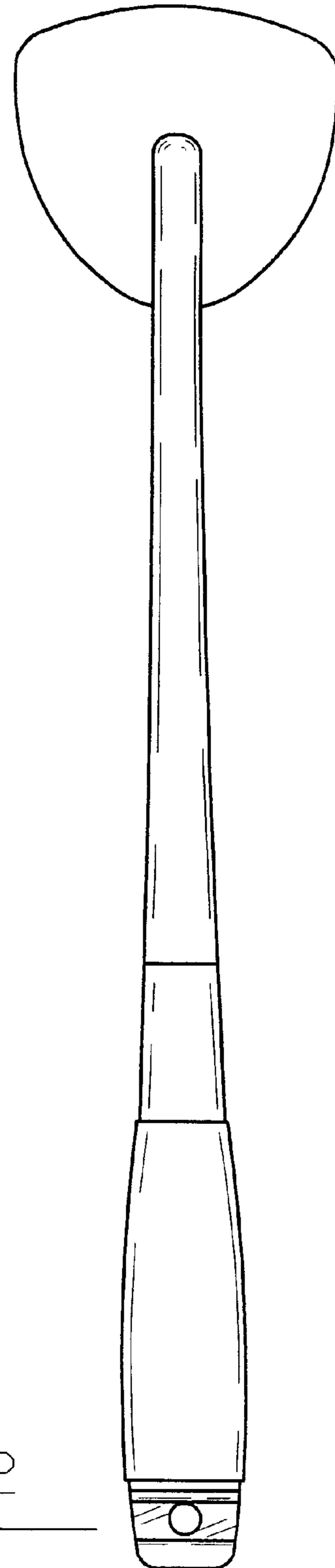


FIG.2

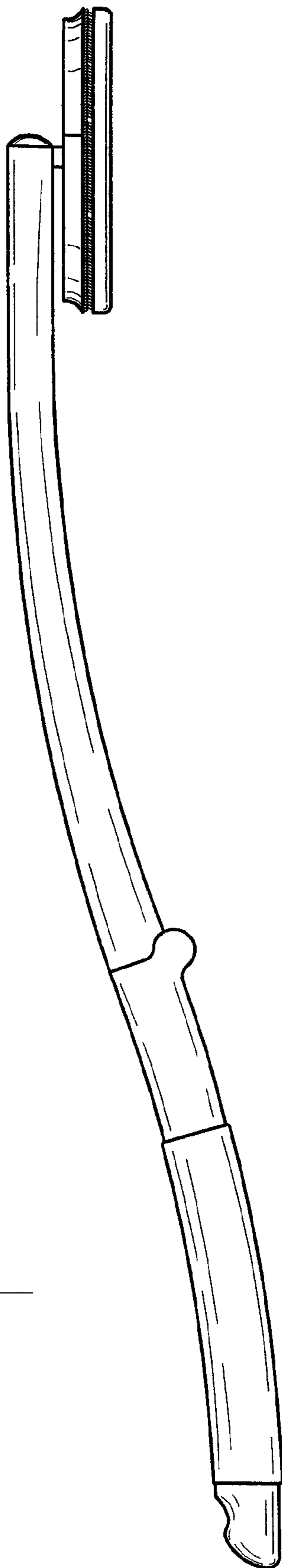


FIG.3

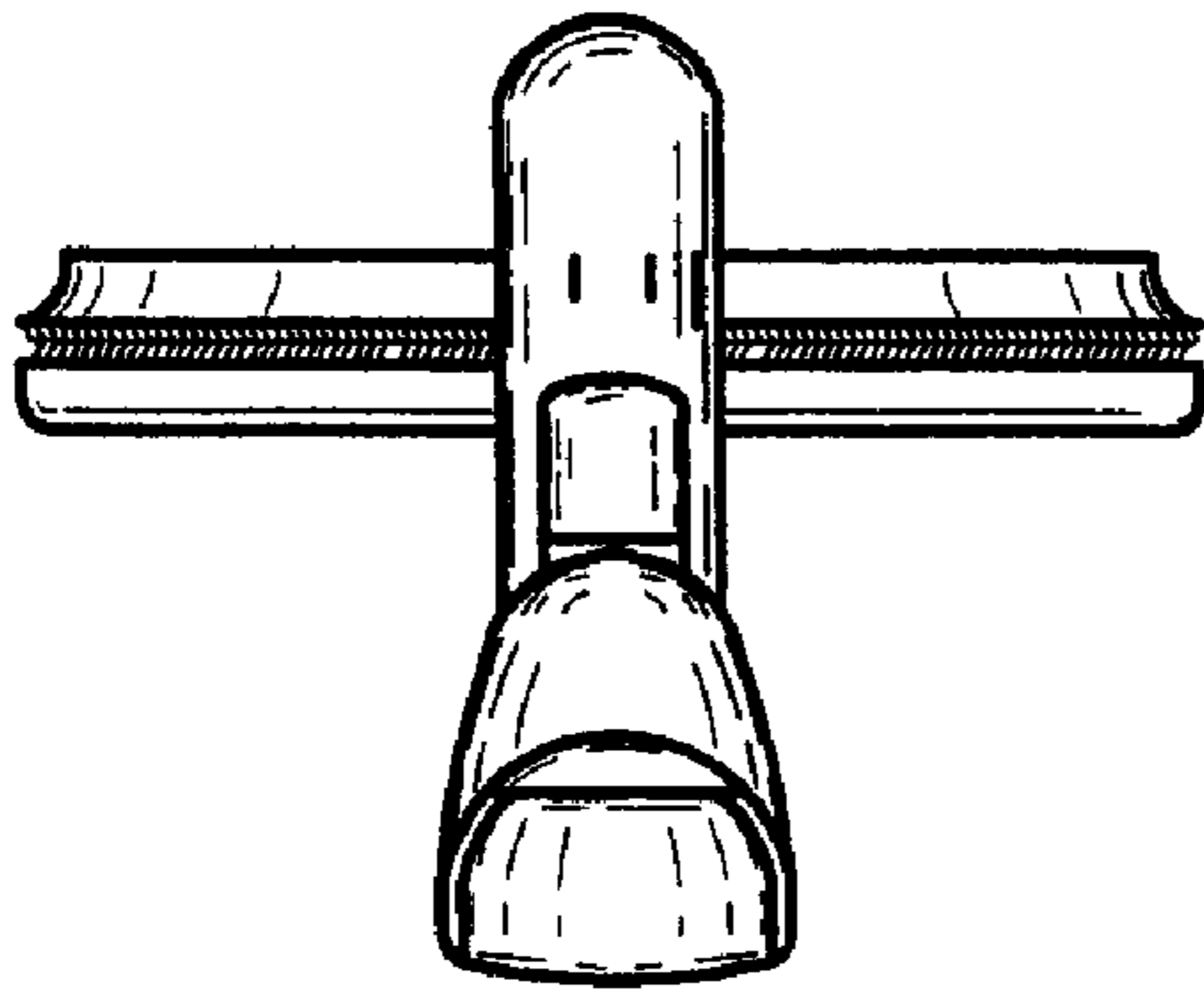


FIG. 4

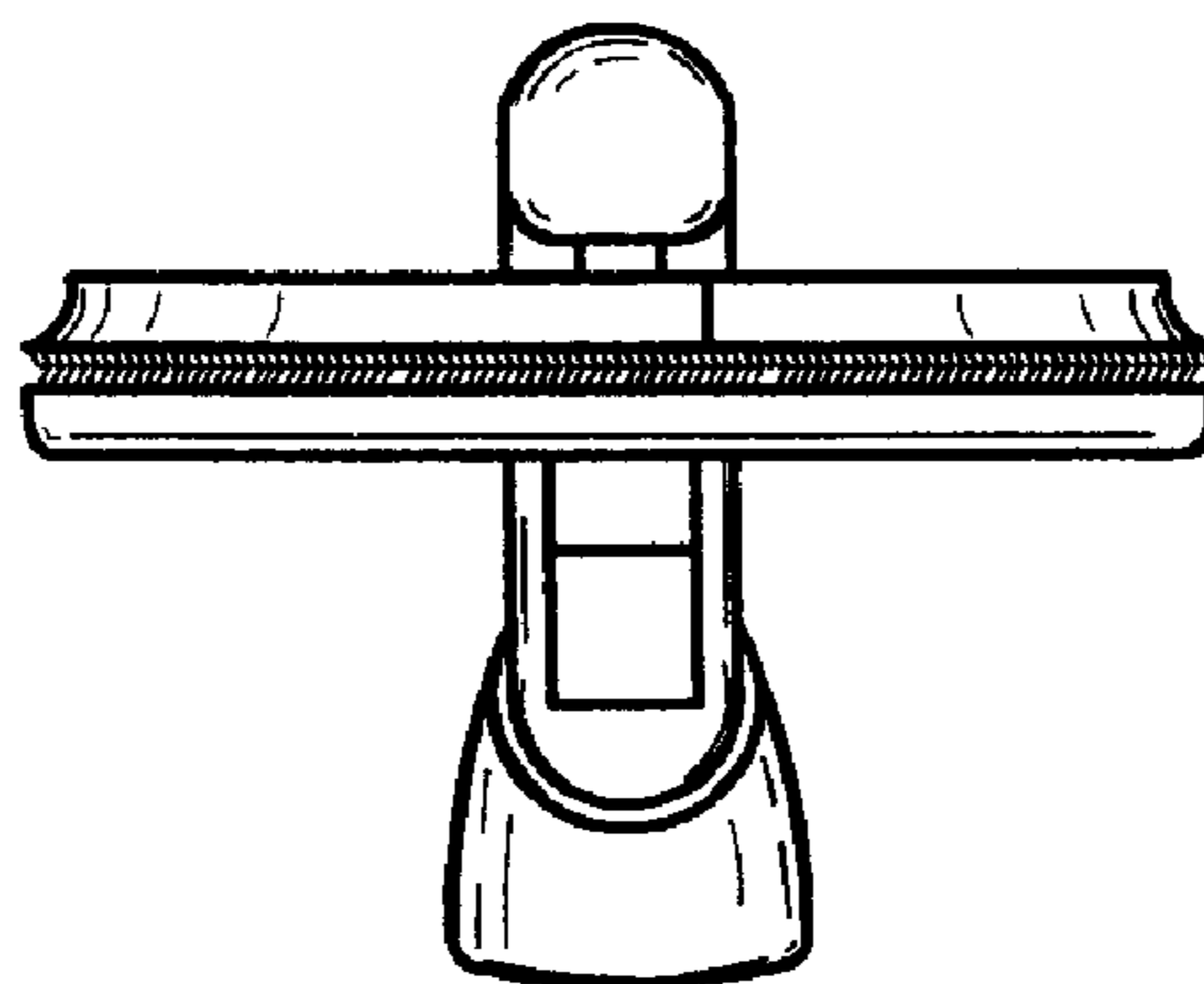


FIG. 5

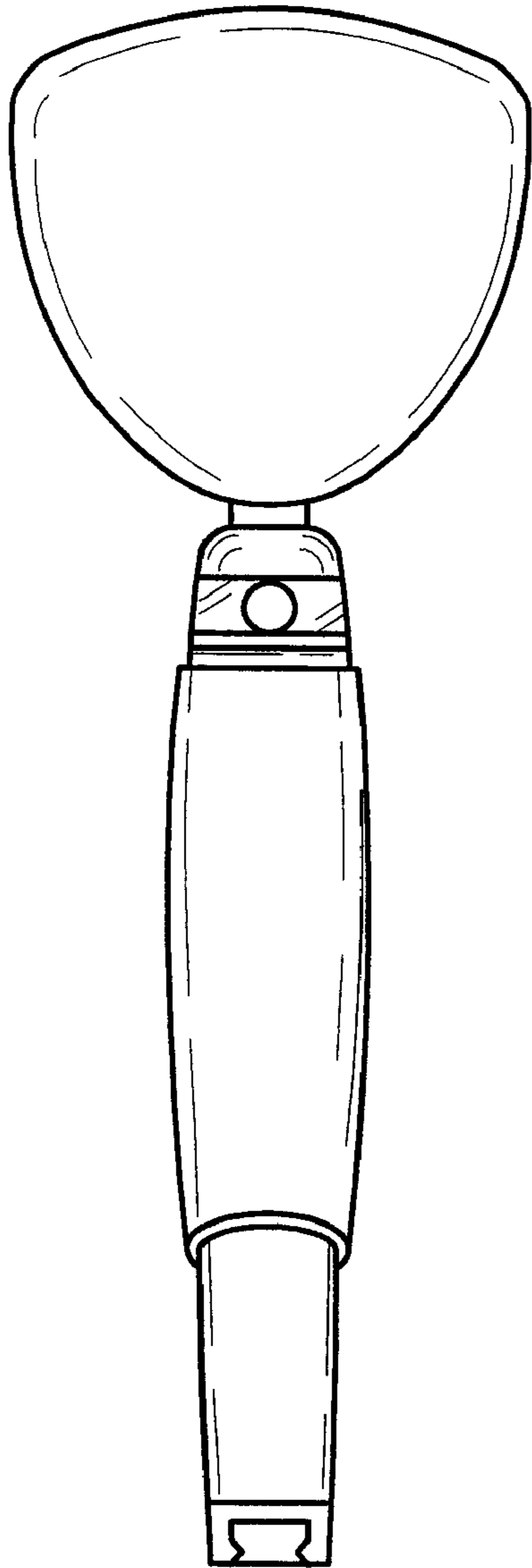


FIG. 6

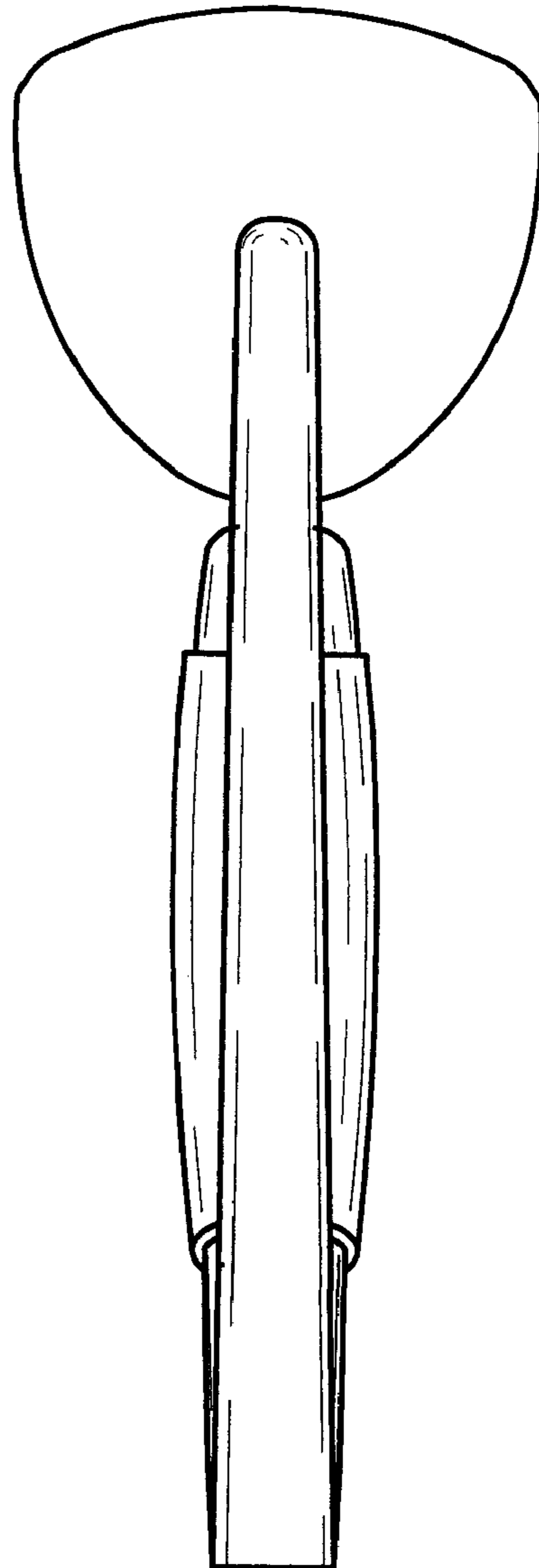


FIG. 7



FIG. 8

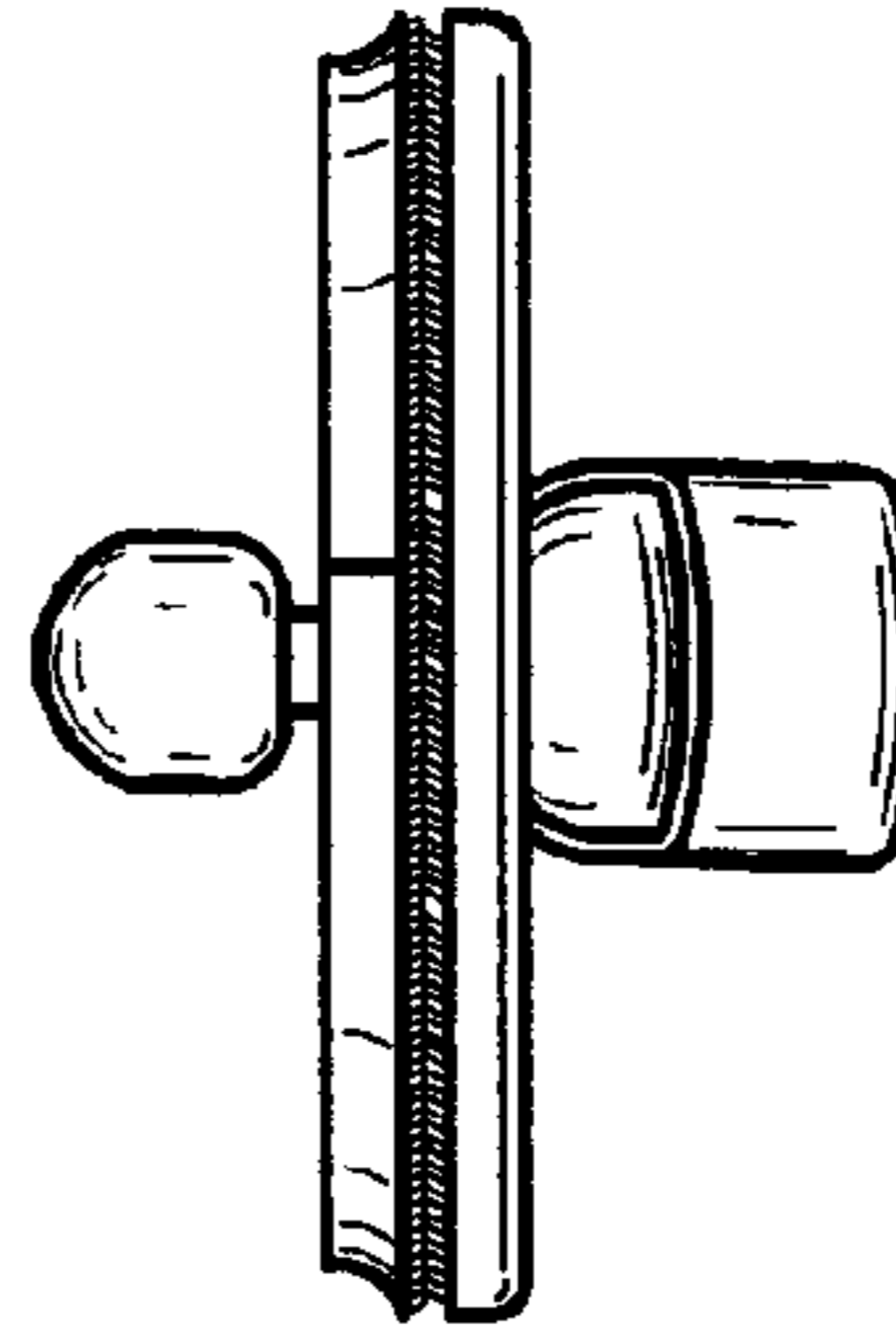


FIG. 9

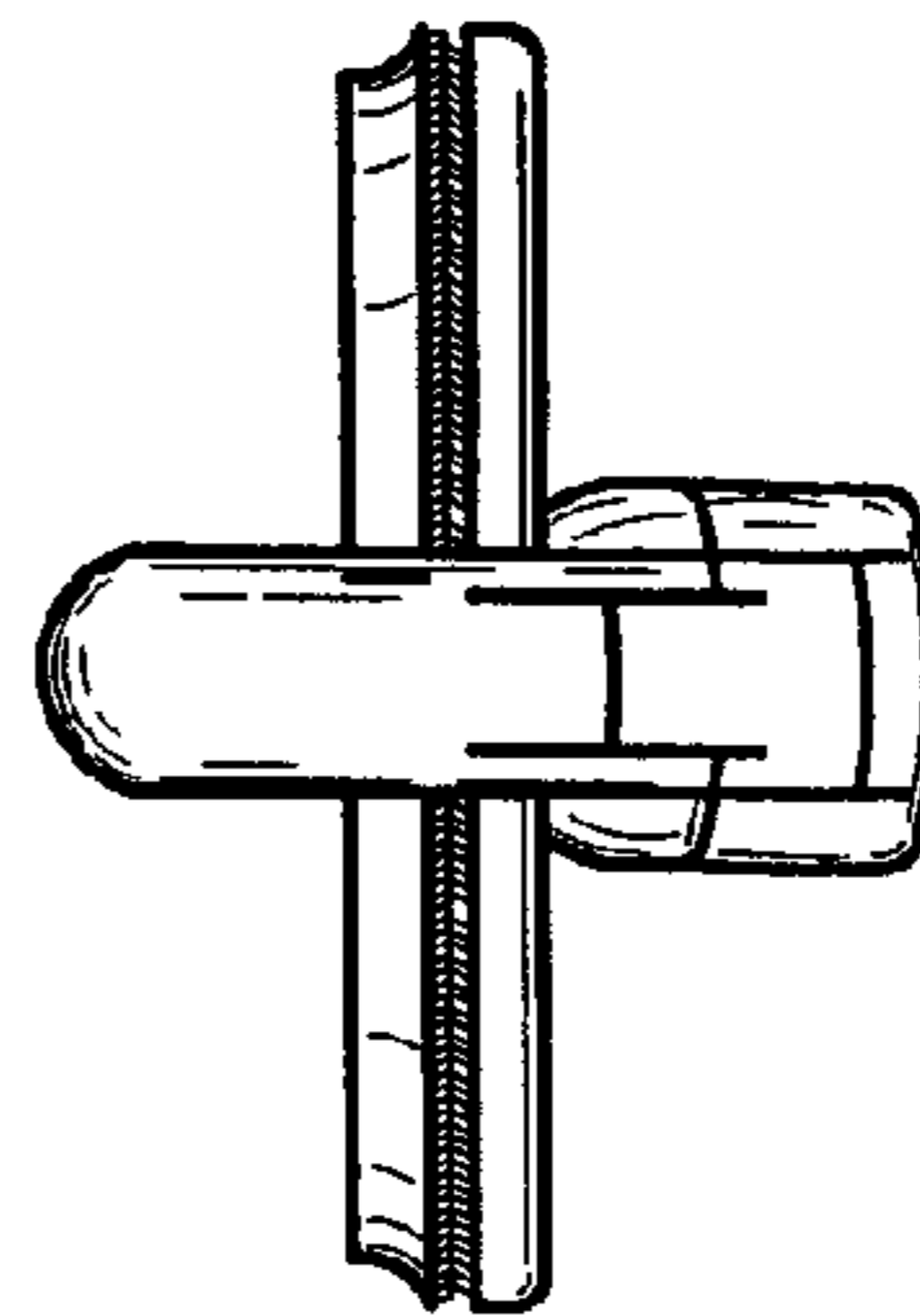


FIG. 10
