



US00D587842S

(12) **United States Design Patent**  
**Rhodes**

(10) **Patent No.:** **US D587,842 S**  
(45) **Date of Patent:** **\*\* \*Mar. 3, 2009**

(54) **CHANDELIER**

(75) Inventor: **Nancy Rhodes**, Charleston, SC (US)

(73) Assignee: **Quoizel, Inc.**, Goose Creek, SC (US)

(\*) Notice: This patent is subject to a terminal disclaimer.

(\*\*) Term: **14 Years**

(21) Appl. No.: **29/197,962**

(22) Filed: **Jan. 22, 2004**

(51) **LOC (9) Cl.** ..... **26-03**

(52) **U.S. Cl.** ..... **D26/142; D26/84; D26/90**

(58) **Field of Classification Search** ..... D26/72,  
D26/80-92, 142-144, 152, 155; 362/147,  
362/432, 404-408

See application file for complete search history.

(56) **References Cited**

**U.S. PATENT DOCUMENTS**

D71,025 S *	9/1926	Krause	.....	D26/81
D73,388 S *	8/1927	McFadden	.....	D26/81
D73,632 S *	10/1927	Wolter	.....	D26/144
D517,238 S *	3/2006	Rhodes	.....	D26/111

**OTHER PUBLICATIONS**

Quoizel 2004 Catalog. Item CV 8701 IB on p. 129.\*  
“The Big Book” by Murray-Feiss, 2004 Edition. Item F1827/3 PBR from the Casa Bella Collection on p. 12.\*  
Quoizel catalog entitled *Quoizel A Tradition of Excellence . . . since 1930*, 2003 Catalog, pp. 96-97, 129-133; 170, 173 and 185, 2003.

Applicant’s co-pending U.S. Appl. No. 29/198,008, filed Jan. 23, 2004.

Applicant’s co-pending U.S. Appl. No. 29/197,961, filed Jan. 22, 2004.

\* cited by examiner

*Primary Examiner*—Clare E Heflin

(74) *Attorney, Agent, or Firm*—Nelson Mullins Riley & Scarborough LLP

(57) **CLAIM**

The ornamental design of a chandelier, substantially as shown and described.

**DESCRIPTION**

FIG. 1 is a perspective view of a chandelier embodying the design of the present invention.

FIG. 2 is a front side elevational view of the chandelier illustrated in FIG. 1.

FIG. 3 is a rear elevational view of the chandelier illustrated in FIG. 1.

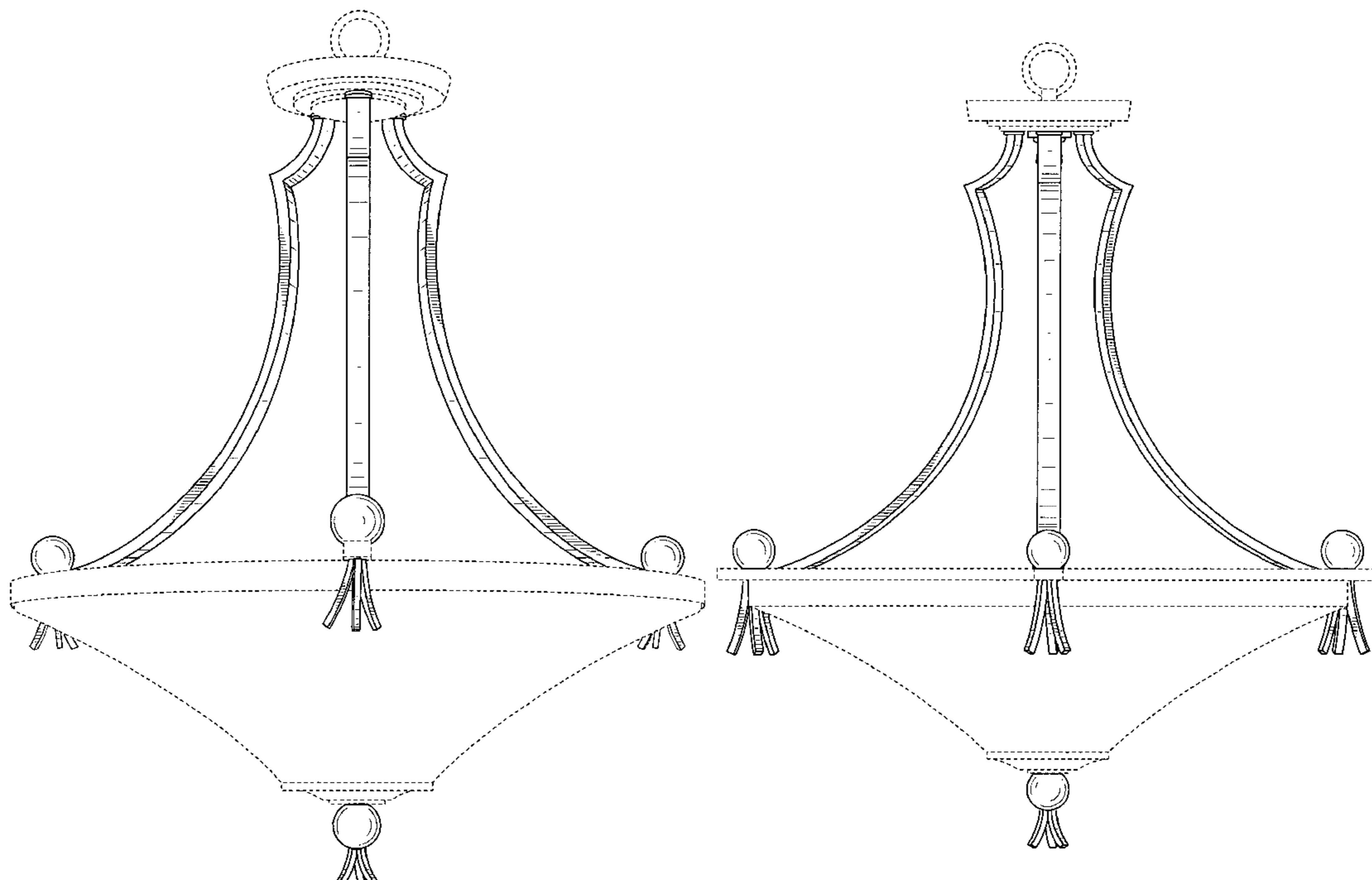
FIG. 4 is a left side elevational view of the chandelier illustrated in FIG. 1.

FIG. 5 is a right side elevational view of the chandelier illustrated in FIG. 1.

FIG. 6 is a top view of the chandelier illustrated in FIG. 1; and, FIG. 7 is a bottom view of the chandelier illustrated in FIG. 1.

The portions shown in broken lines do not form part of the claimed design.

**1 Claim, 7 Drawing Sheets**



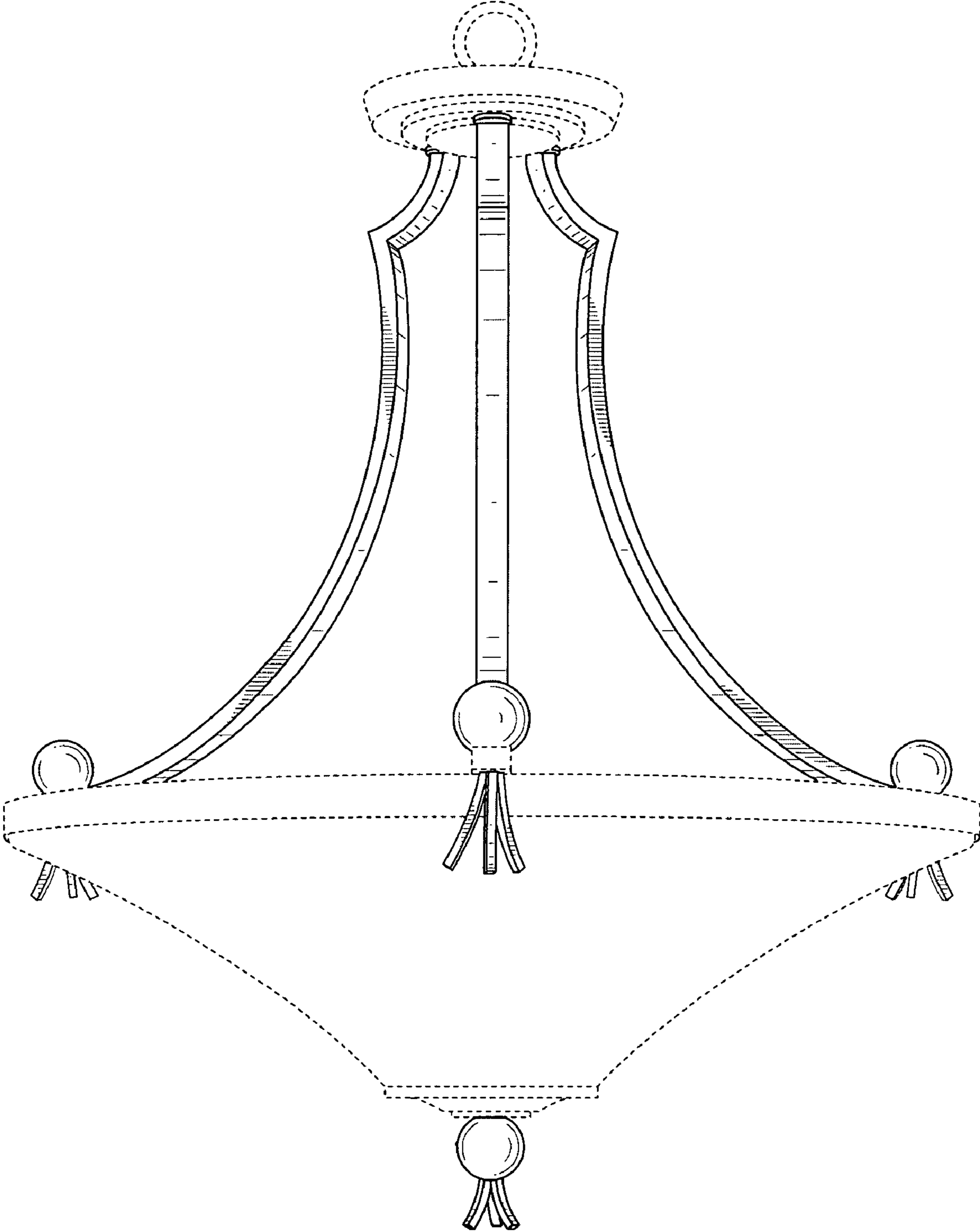


FIG. 1

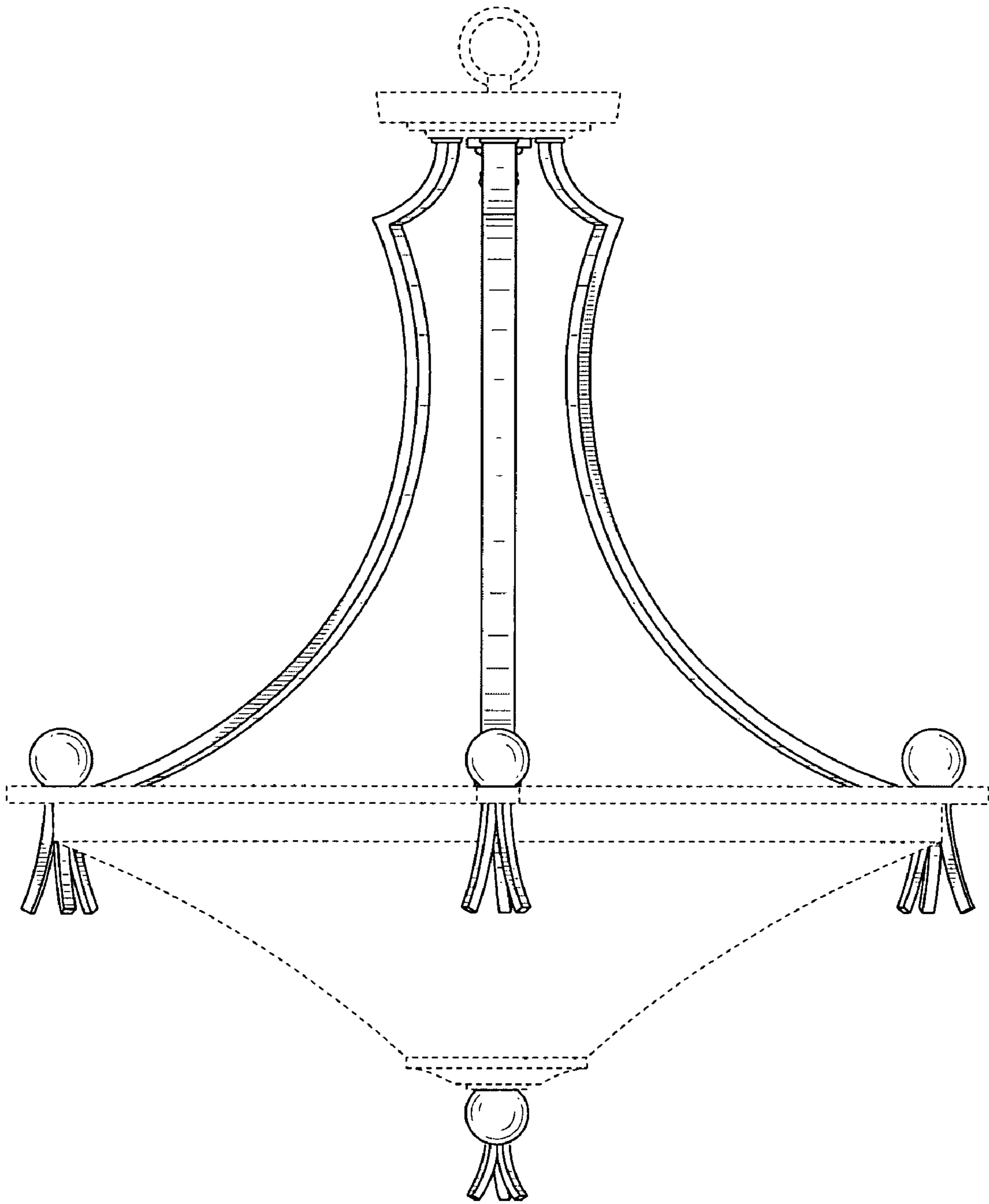
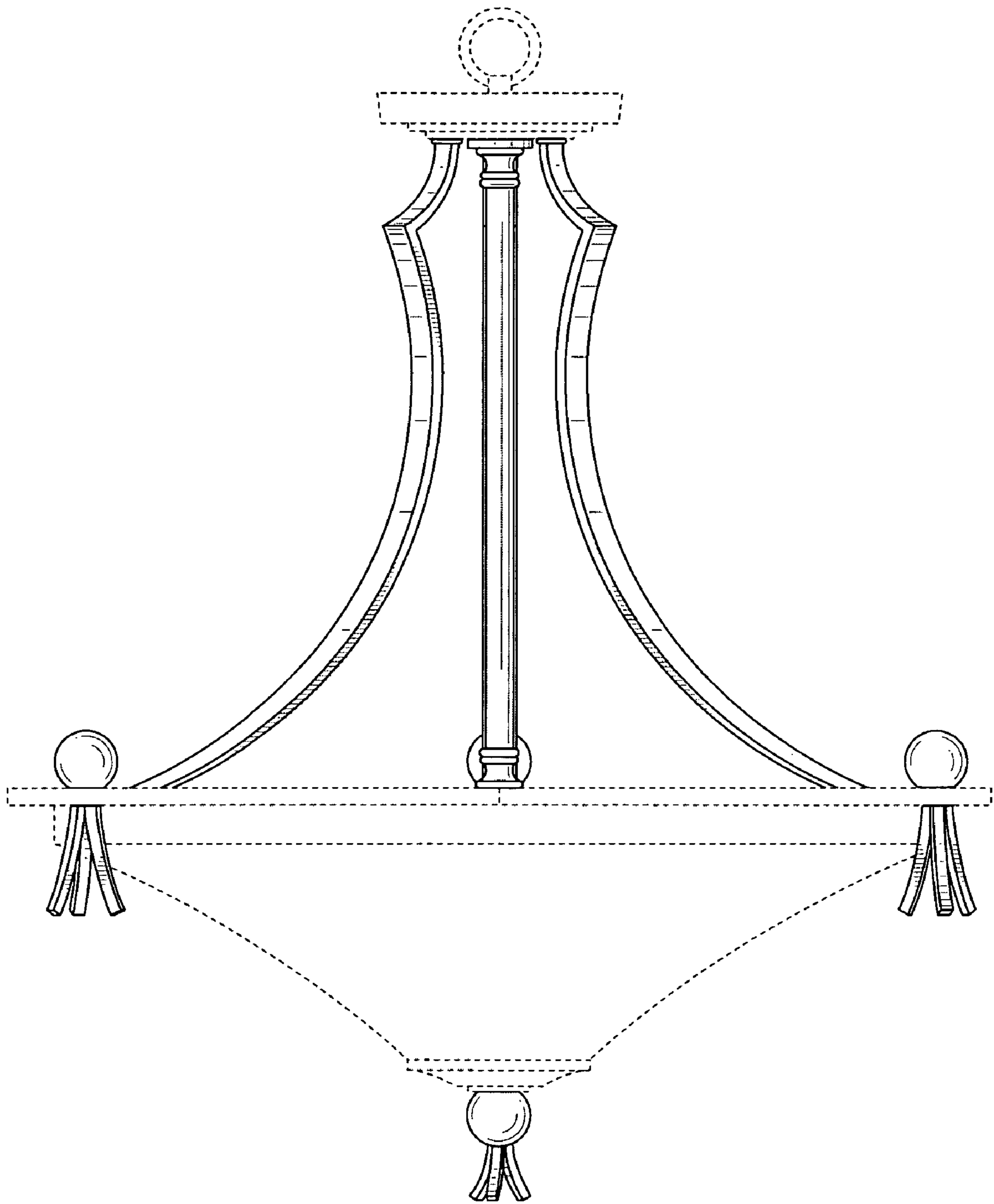


FIG. 2



**FIG. 3**

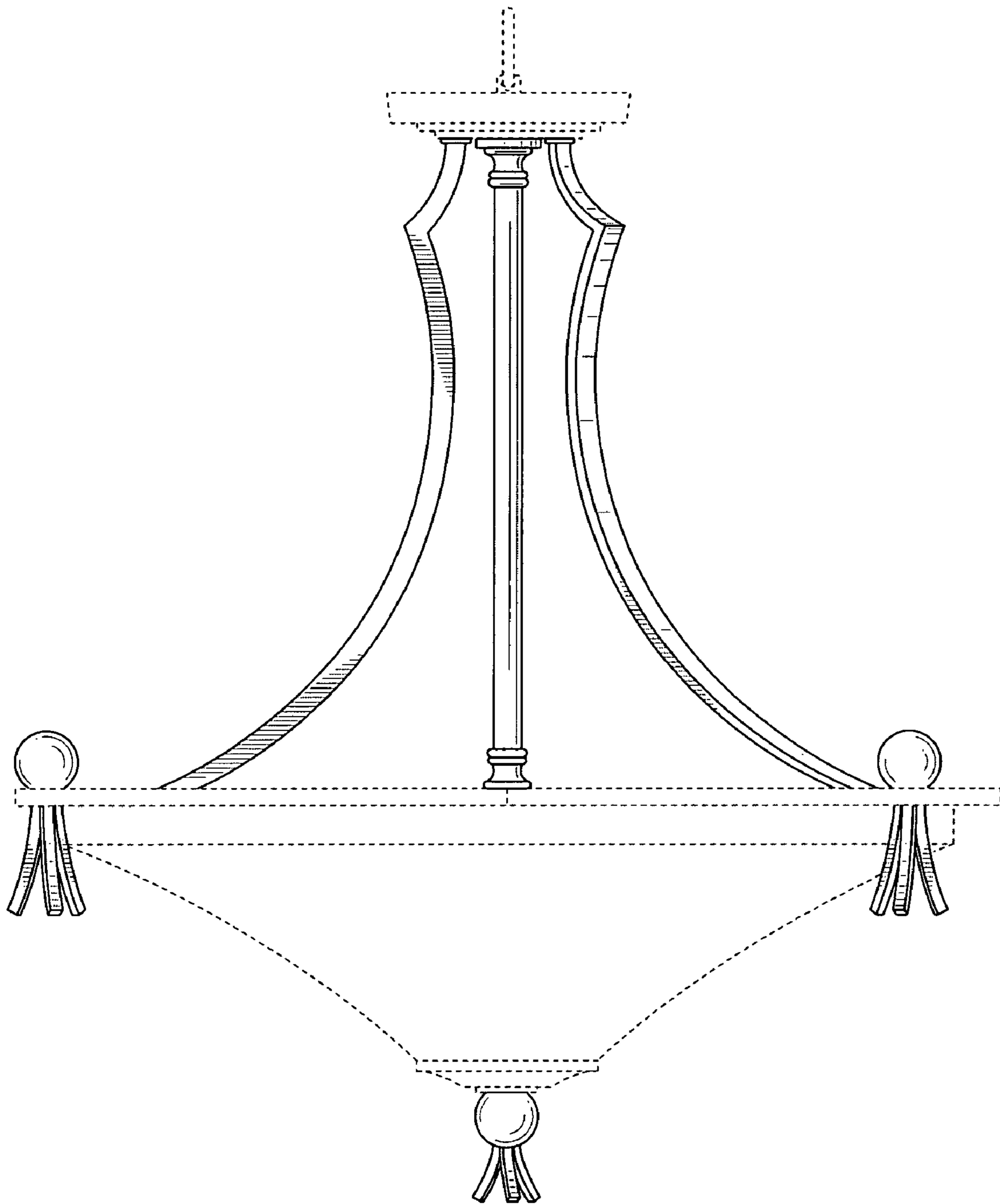


FIG. 4

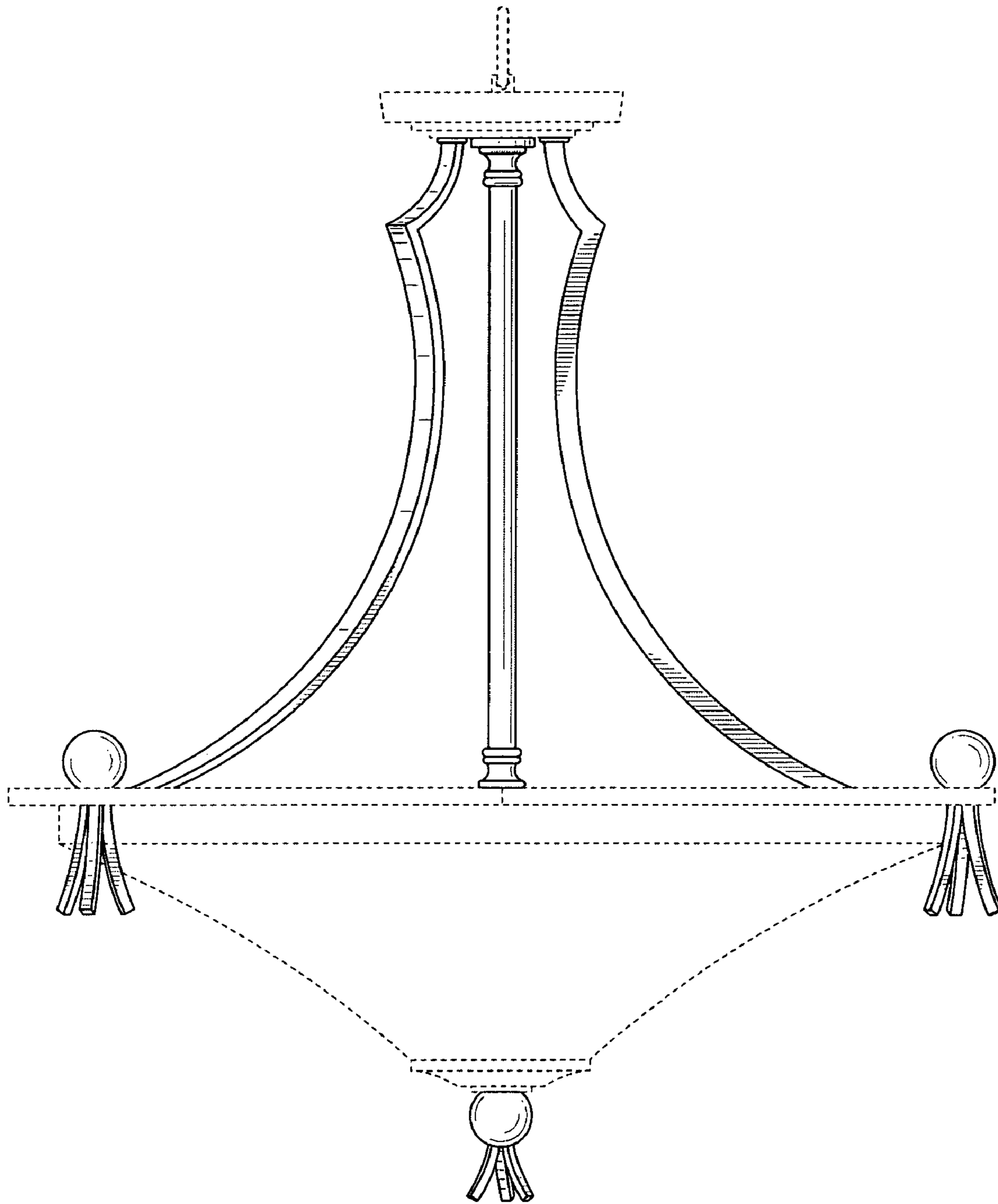
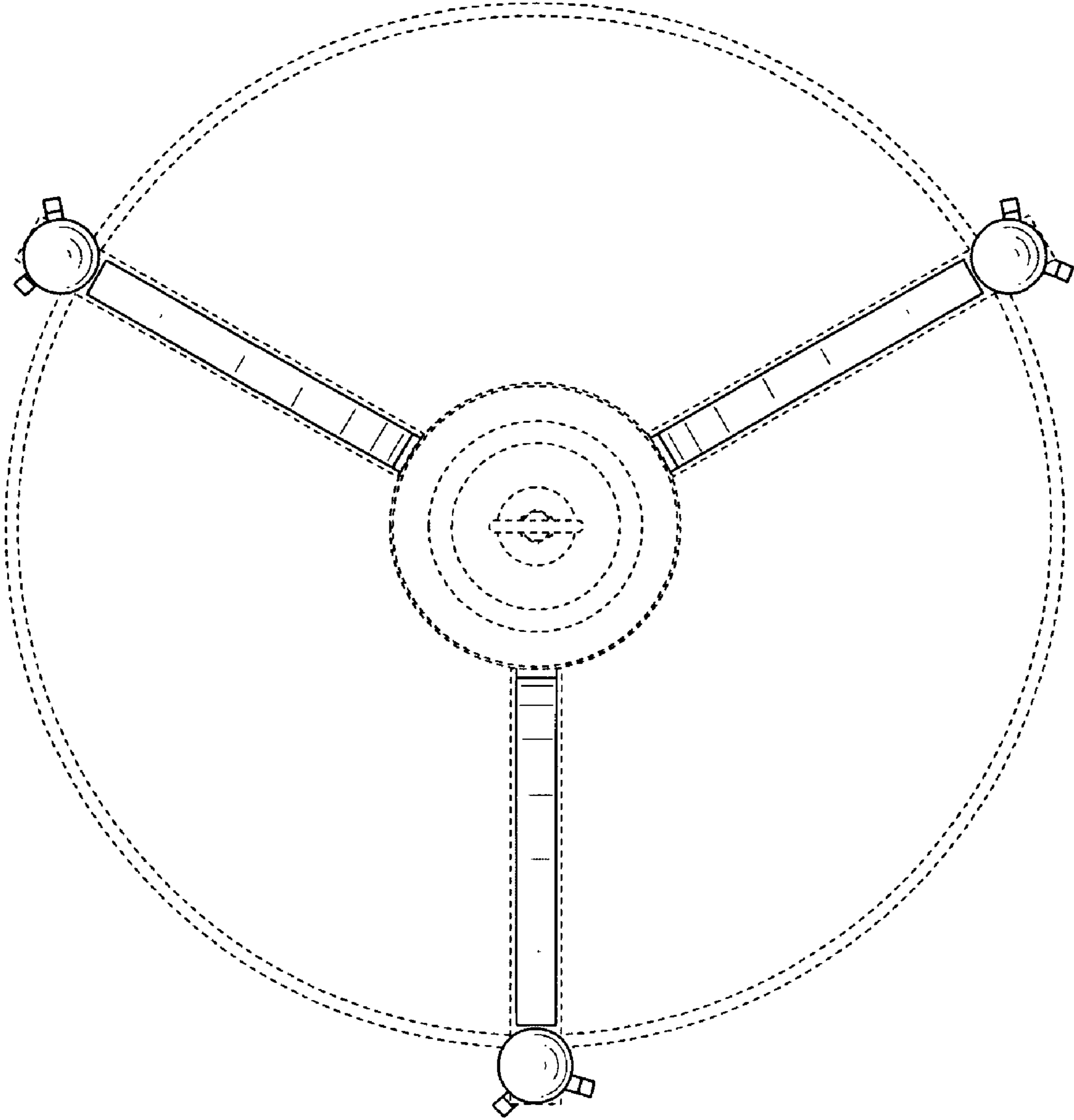
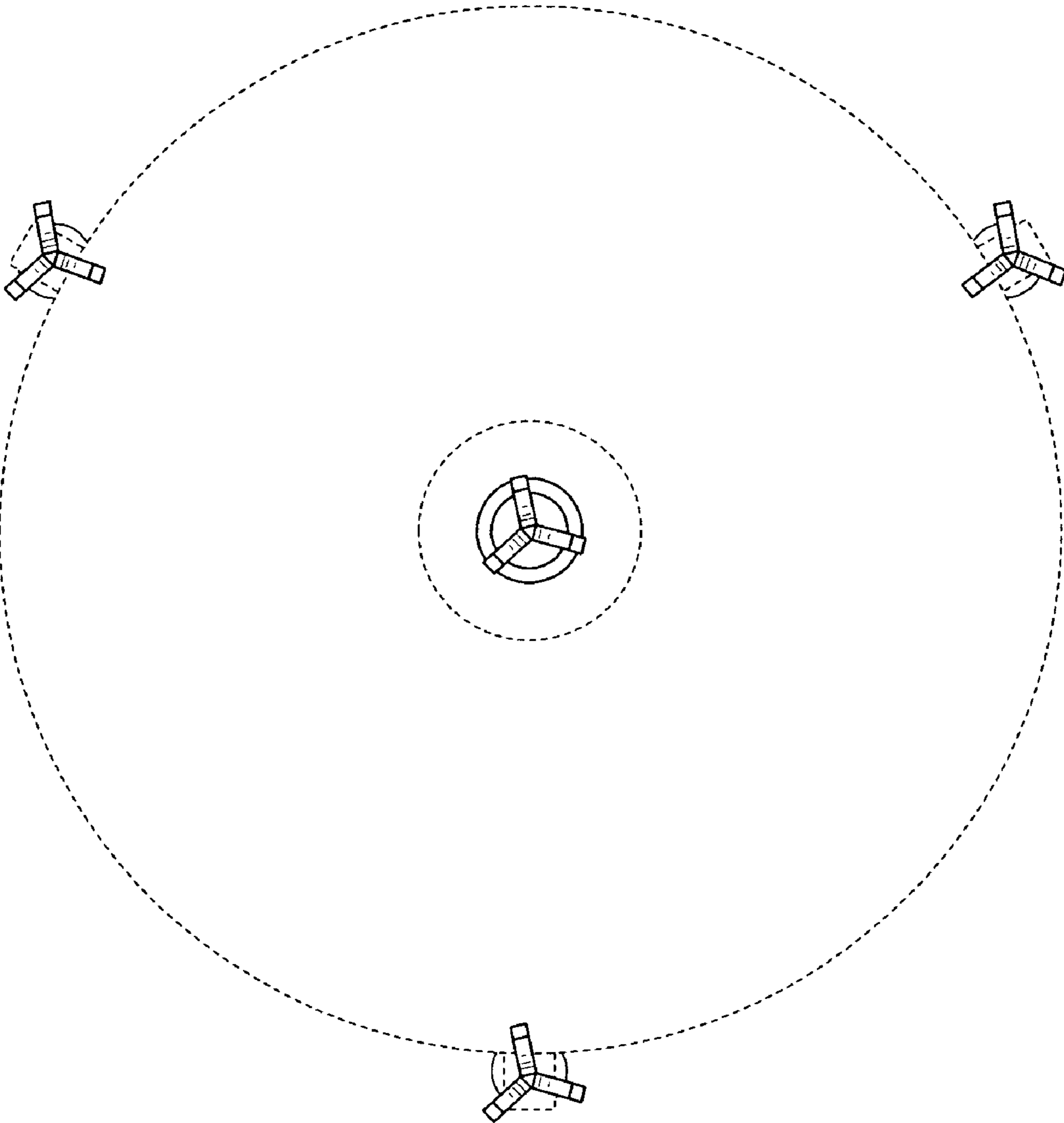


FIG. 5



**FIG. 6**



**FIG. 7**