



US00D587841S

(12) **United States Design Patent**  
**Peng**

(10) **Patent No.:** **US D587,841 S**  
(45) **Date of Patent:** **\*\* Mar. 3, 2009**

(54) **LAMPSTAND**  
(75) Inventor: **Jacky Peng**, Taipei County (TW)  
(73) Assignee: **Semisilicon Technology Corp.**,  
Jhonghe, Taipei County (TW)

6,135,623 A \* 10/2000 Lin ..... 362/431  
6,598,996 B1 \* 7/2003 Lodhie ..... 362/249  
D510,149 S \* 9/2005 Huang ..... D26/28  
D515,231 S \* 2/2006 Randazzo et al. .... D26/67  
D520,655 S \* 5/2006 Ip ..... D26/27  
D529,655 S \* 10/2006 Allsop et al. .... D26/68

(\*\*) Term: **14 Years**  
(21) Appl. No.: **29/300,562**  
(22) Filed: **Apr. 10, 2008**

\* cited by examiner  
*Primary Examiner*—Cathron C Brooks  
*Assistant Examiner*—Kevin K Rudzinski  
(74) *Attorney, Agent, or Firm*—Bacon & Thomas, PLLC

(30) **Foreign Application Priority Data**  
Jan. 31, 2008 (CN) ..... 2008 3 0005001

(57) **CLAIM**

I claim the ornamental design for a lampstand, as shown and described.

(51) **LOC (9) Cl.** ..... **26-99**  
(52) **U.S. Cl.** ..... **D26/138**  
(58) **Field of Classification Search** ..... D26/67,  
D26/2, 68, 87, 145, 155, 141, 138, 142, 92,  
D26/24, 72, 85, 86, 88, 93, 111, 113, 143,  
D26/144, 147, 149, 150, 152, 153; 362/612,  
362/145, 147, 151, 153, 153.1, 257, 296,  
362/311, 351, 370, 382, 410, 414, 431, 432  
See application file for complete search history.

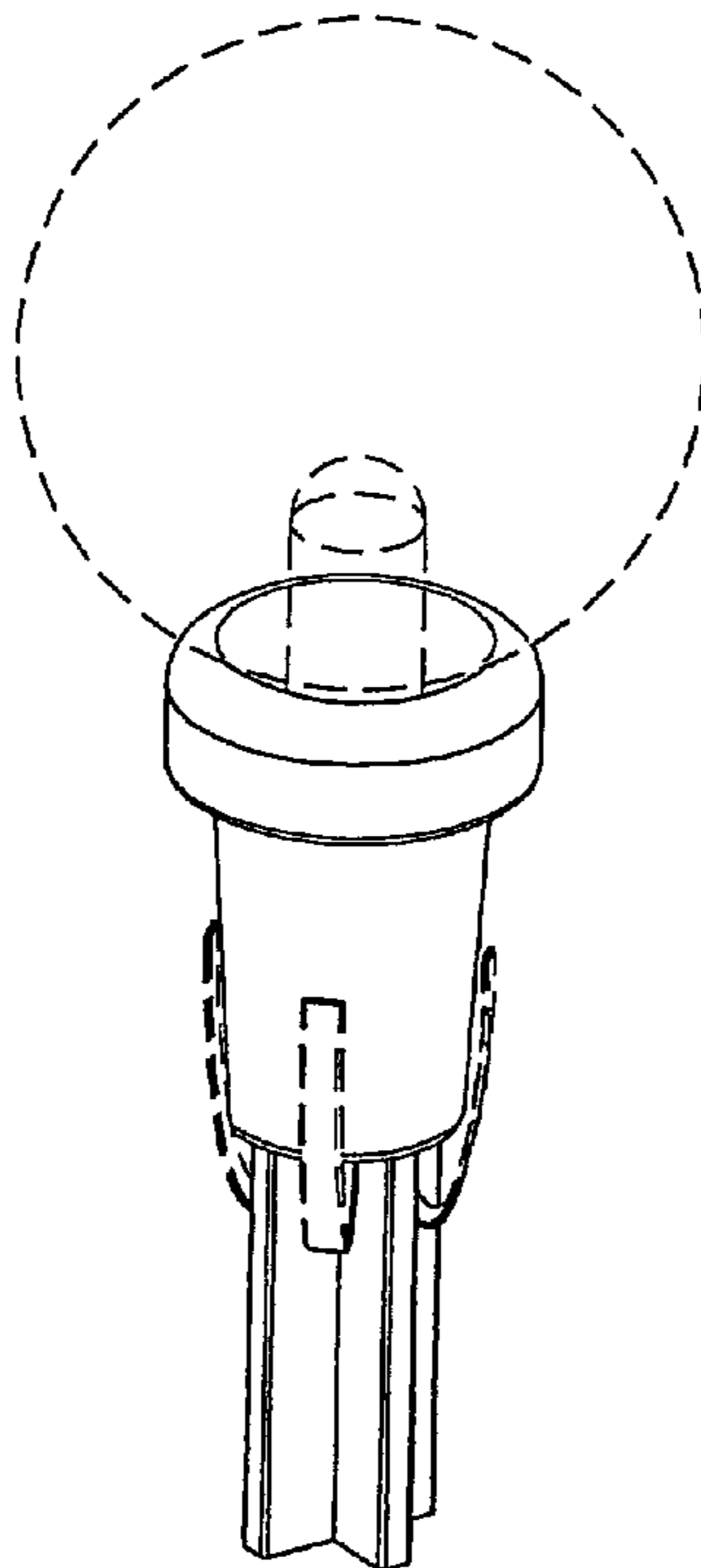
**DESCRIPTION**

FIG. 1 is a perspective view of a lampstand showing my new design;  
FIG. 2 is a front view thereof;  
FIG. 3 is a rear view thereof;  
FIG. 4 is a left side view thereof;  
FIG. 5 is a right side view thereof;  
FIG. 6 is a top plan view thereof; and,  
FIG. 7 is a bottom plan view thereof.

(56) **References Cited**  
U.S. PATENT DOCUMENTS  
D226,924 S \* 5/1973 Hermanson ..... D26/2  
D323,406 S \* 1/1992 Fisher ..... D26/68  
5,453,729 A \* 9/1995 Chu ..... 340/332  
5,483,432 A \* 1/1996 Wang ..... 362/431  
D405,201 S \* 2/1999 Lodhie ..... D26/2

The broken lines shown are included for the purpose of illustrating environmental structures and form no part of the claimed design.

**1 Claim, 6 Drawing Sheets**



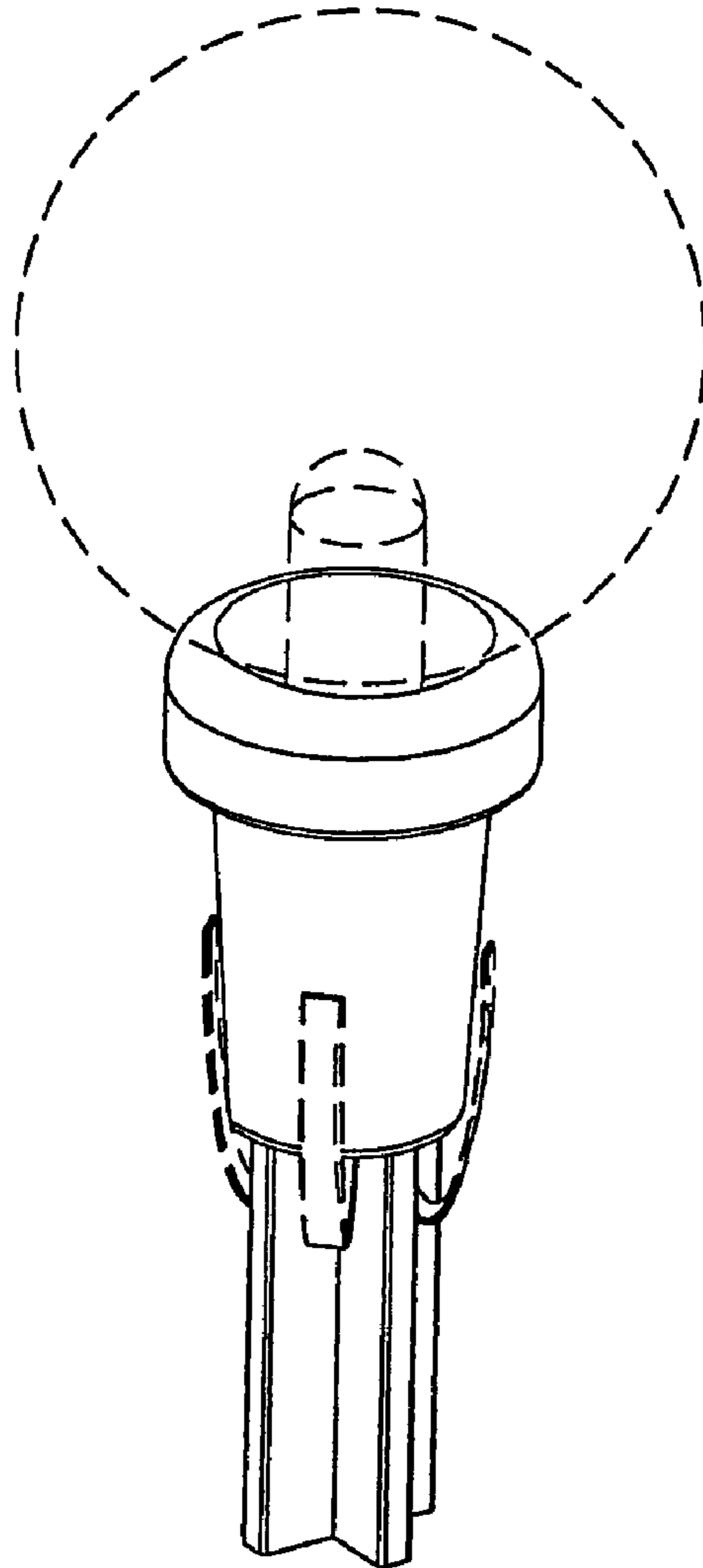


Fig. 1

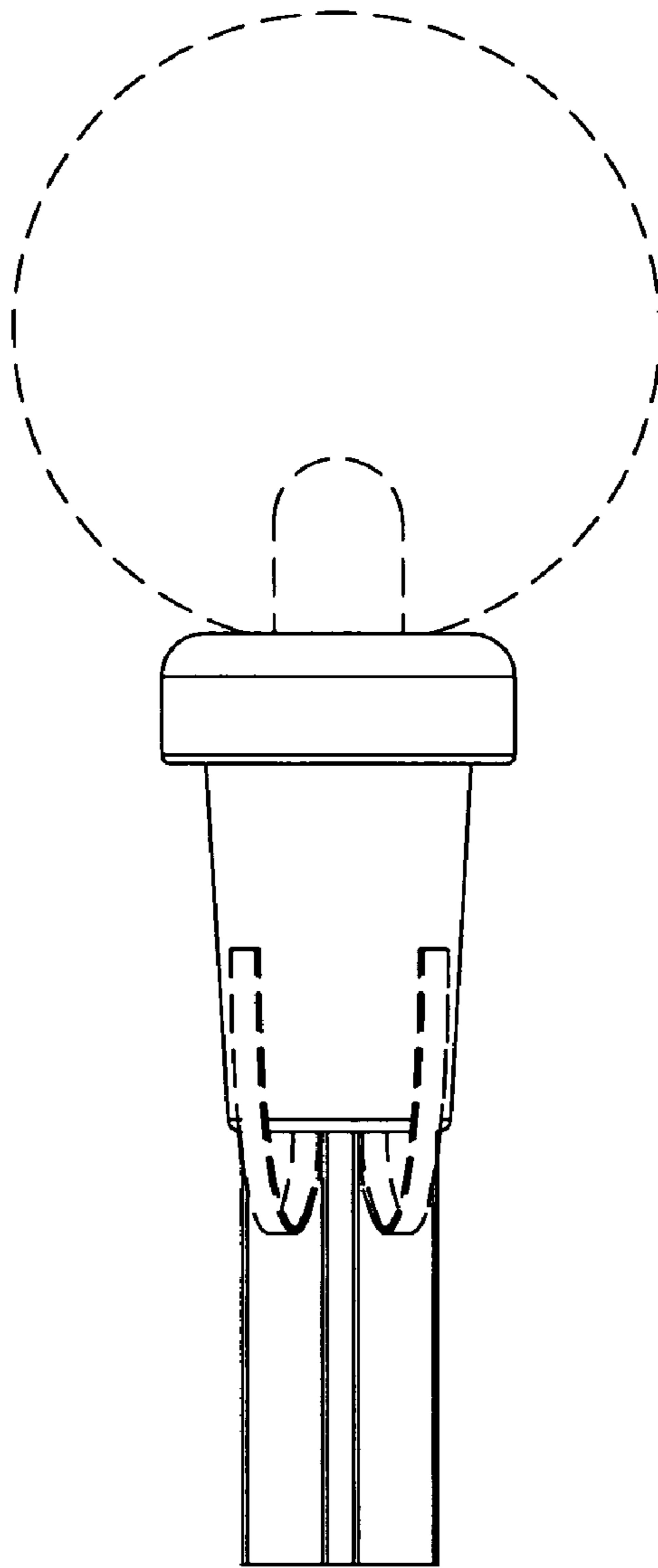


Fig. 2

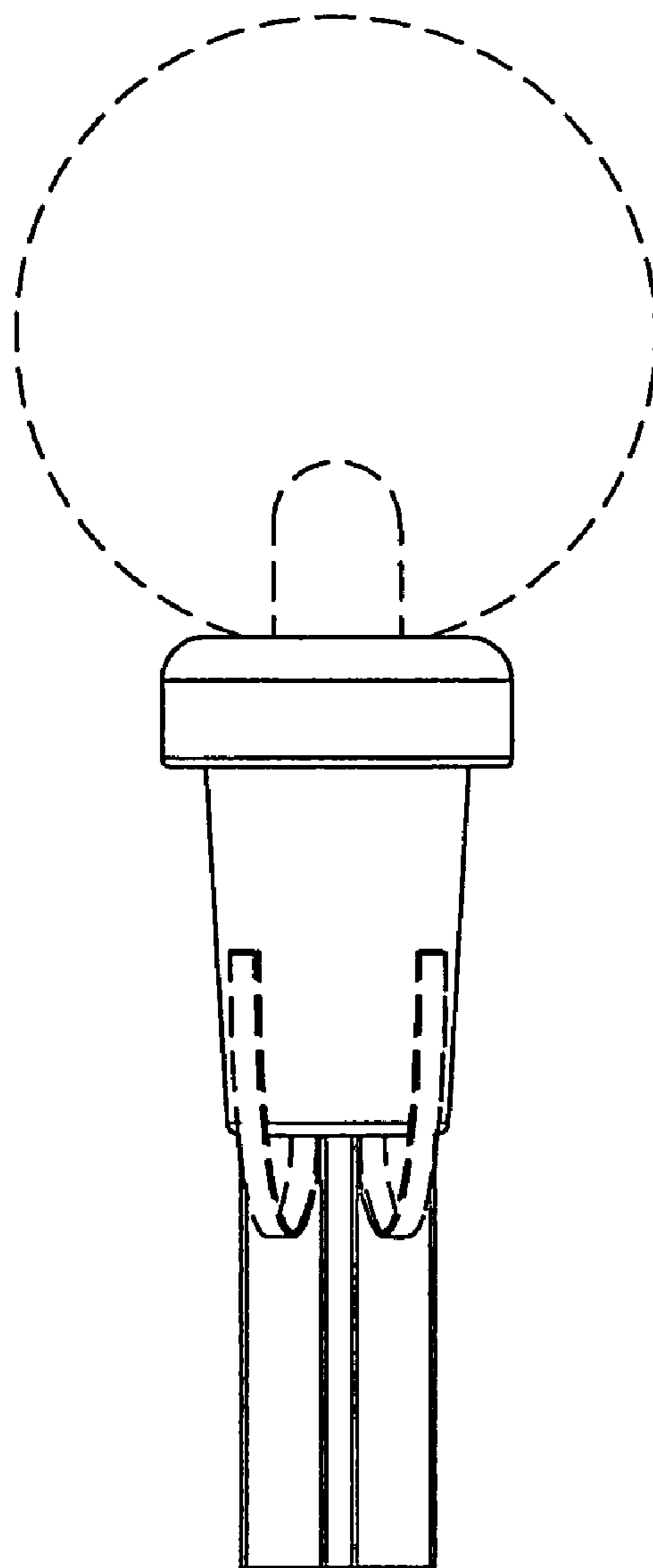


Fig. 3

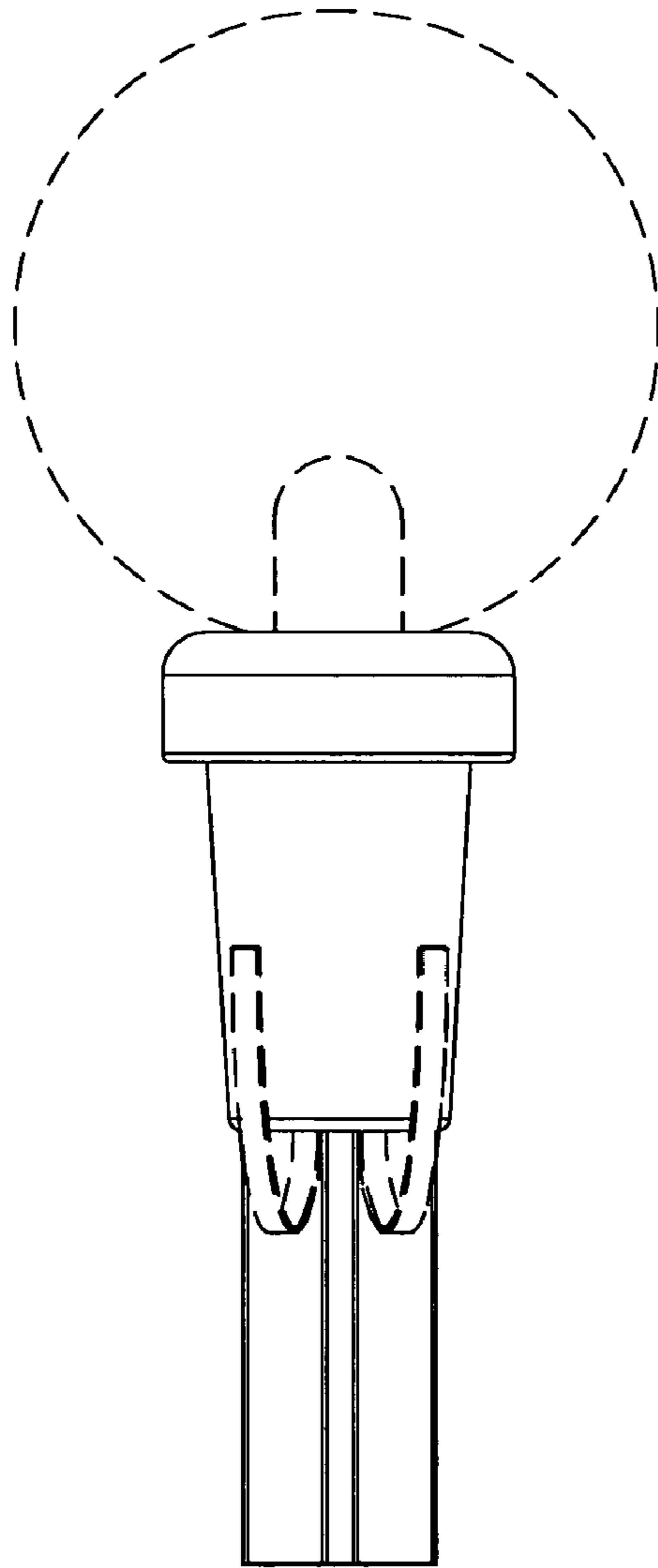


Fig. 4

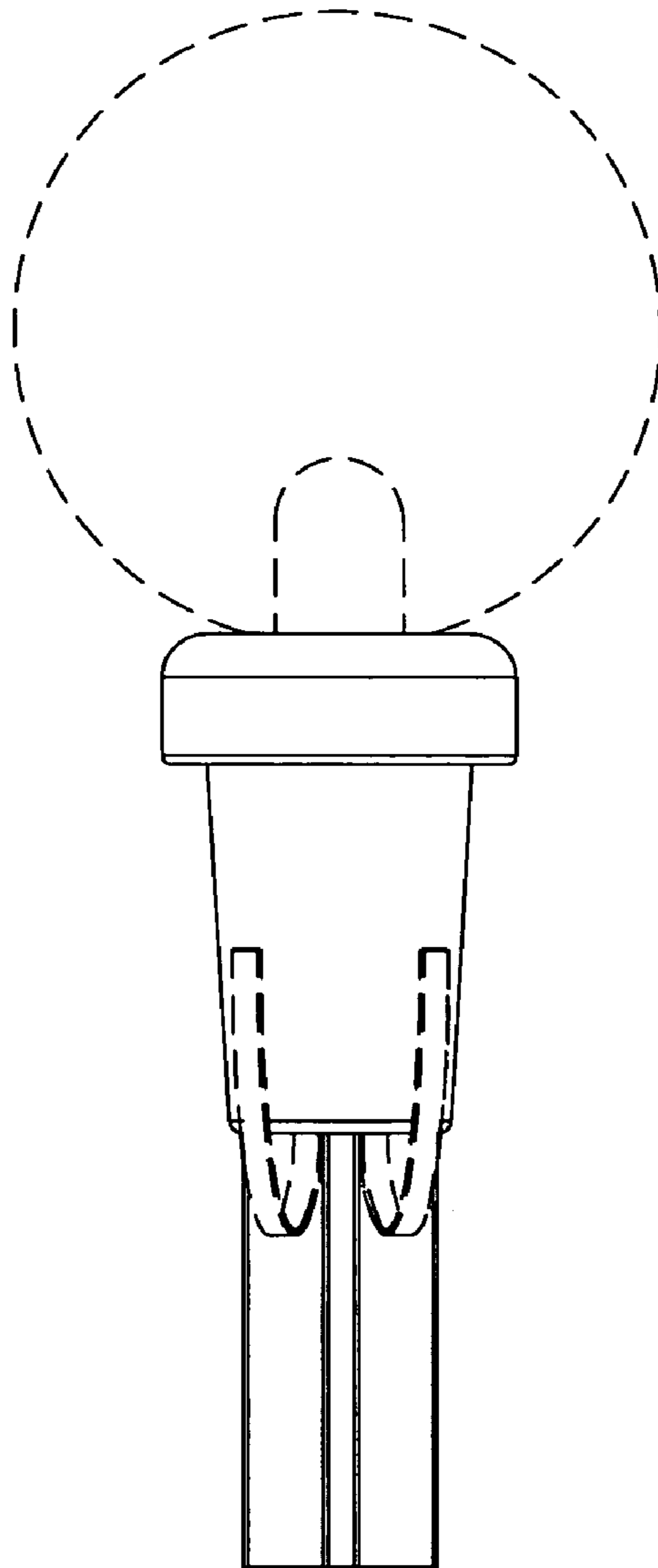


Fig. 5

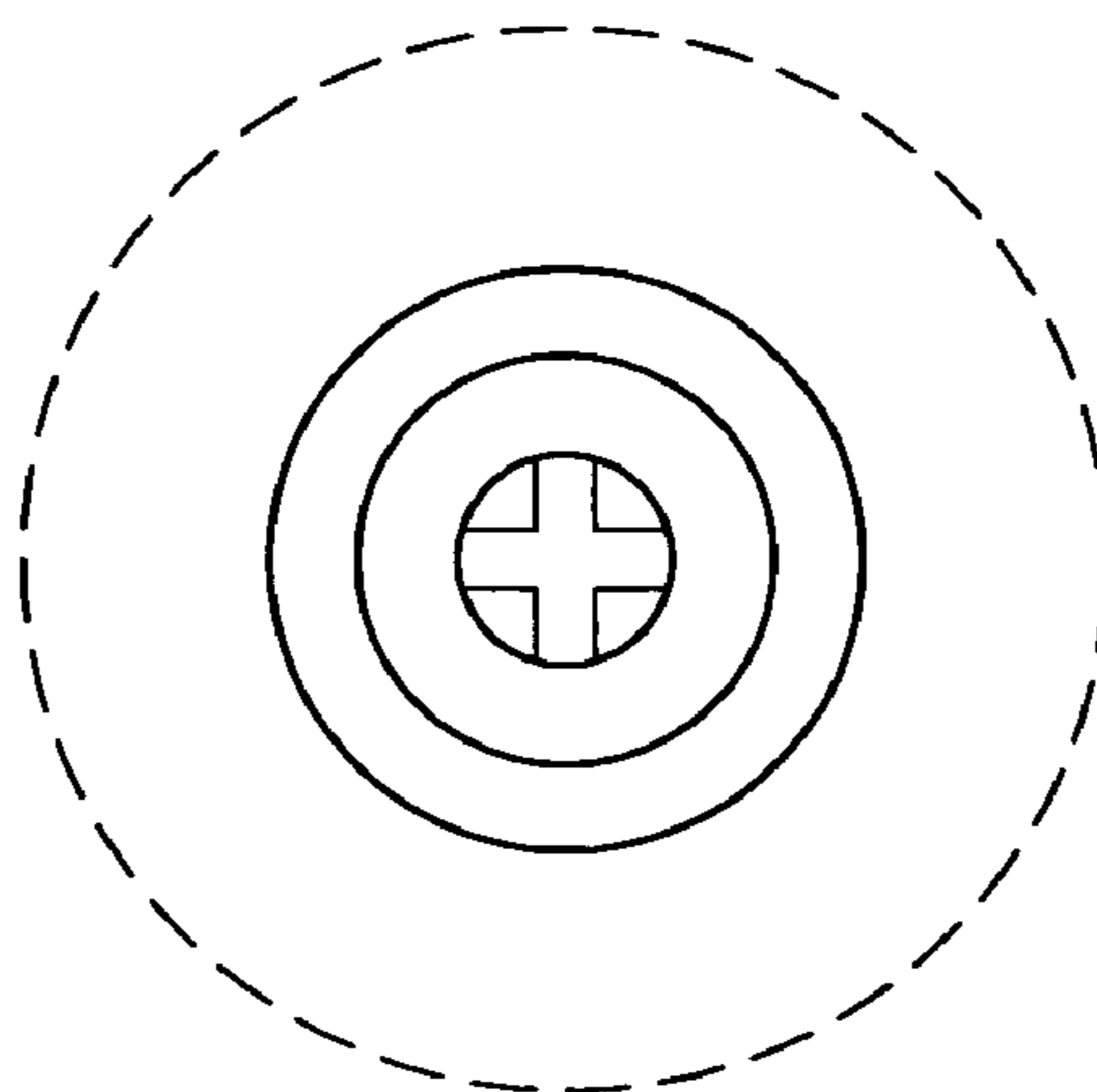


Fig. 6

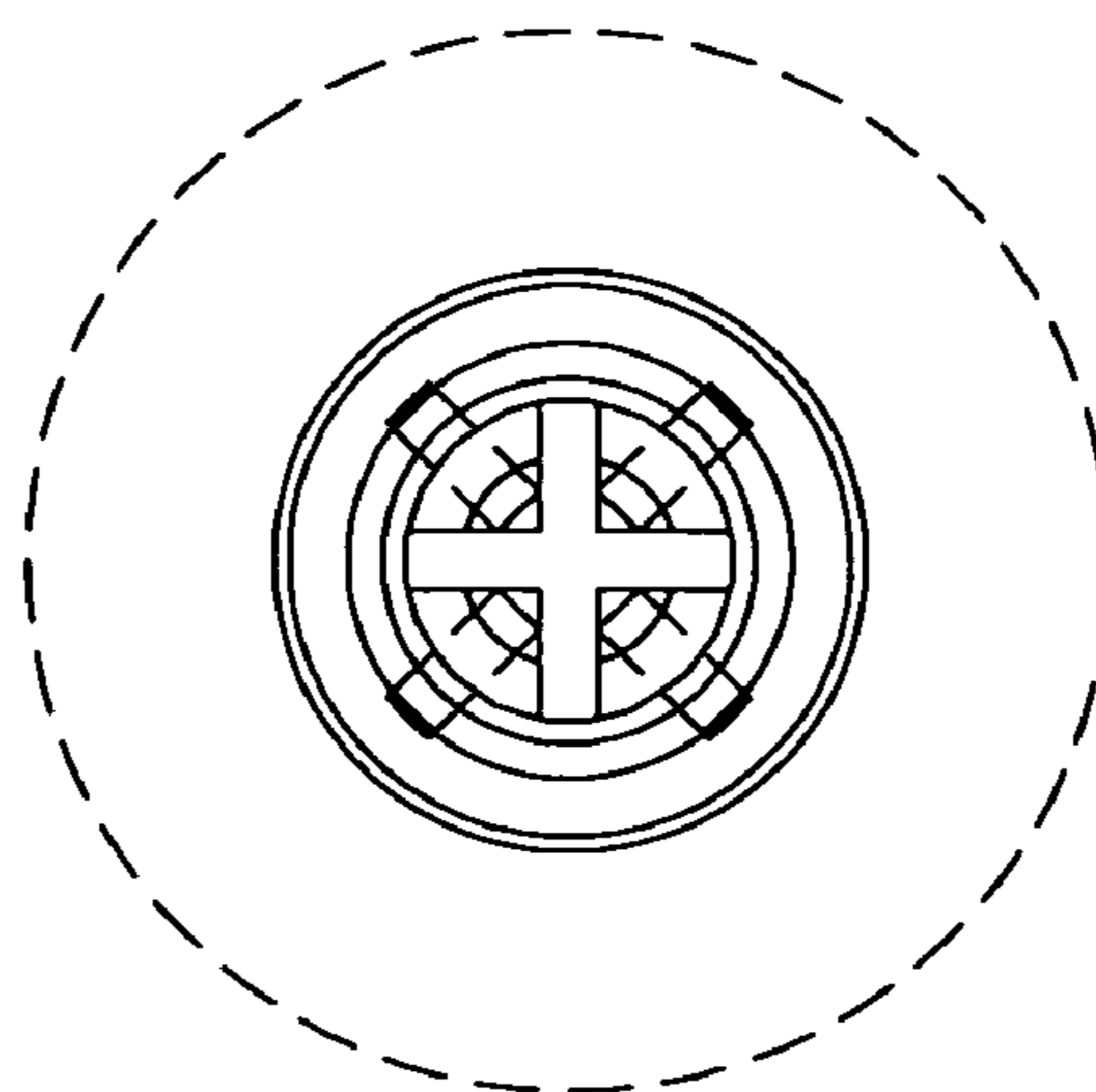


Fig. 7