



US00D587839S

(12) **United States Design Patent**
Guercio

(10) **Patent No.:** **US D587,839 S**
(45) **Date of Patent:** **** Mar. 3, 2009**

(54) **AREA LIGHT**

(75) Inventor: **Vincenzo Guercio**, Wallkill, NY (US)

(73) Assignee: **RAB Lighting, Inc.**, Northvale, NJ (US)

(**) Term: **14 Years**

(21) Appl. No.: **29/319,662**

(22) Filed: **Jun. 12, 2008**

(51) **LOC (9) Cl.** **26-03**

(52) **U.S. Cl.** **D26/92**

(58) **Field of Classification Search** D26/67-71,
D26/85, 87, 92; 362/145, 249, 252, 431,
362/432

See application file for complete search history.

(56) **References Cited**

U.S. PATENT DOCUMENTS

5,136,493	A *	8/1992	Straus et al.	362/373
D404,841	S *	1/1999	Compton	D26/67
D411,634	S *	6/1999	Connelly	D26/24
D447,590	S *	9/2001	Raouf et al.	D26/71
6,467,928	B2 *	10/2002	Crelin	362/147
D501,947	S *	2/2005	Haugaard et al.	D26/71
D552,282	S *	10/2007	Guercio	D26/63
7,296,914	B1 *	11/2007	Russello et al.	362/285
D570,024	S	5/2008	Guercio		
D572,396	S	7/2008	Guercio		
2005/0201082	A1 *	9/2005	Mauk et al.	362/147

OTHER PUBLICATIONS

“Silhouette Series, Medium Cutoff Roadway Luminaire,” Crescent Stonco, Union, New Jersey, 2 pages, Apr. 2007.

“Alaire,” Spaulding Lighting, Cast Luminaries, Jun. 2006, p. 562, Greenville, South Carolina, 1 page.

“Cimarron,” Spaulding Lighting, Cast Luminaries, Jun. 2006, p. 563, Greenville, South Carolina, 1 page.

“MCL Series, Medium Cutoff Roadway Luminaire,” Crescent Stonco, Union, New Jersey, 3 pages, Jul. 2007.

“Raven,” Spaulding Lighting, Rectangular Luminaries, Jun. 2006, p. 566, Greenville, South Carolina, 1 page.

3 photographs of a Megaflood Lighting Fixture: a common design sold by RAB Lighting, Northvale, NJ since 2003 and in the market place since 1997.

3 photographs of a Floodinator Lighting Fixture: a common design sold by RAB Lighting, Northvale, NJ since 2003 and in the market place since 1997.

* cited by examiner

Primary Examiner—Clare E Heflin

(74) *Attorney, Agent, or Firm*—Overhauser Law Offices, LLC

(57) **CLAIM**

The ornamental design for an area light, as shown and described.

DESCRIPTION

FIG. 1 is a perspective view of a lighting fixture showing my new design;

FIG. 2 is a first side view thereof;

FIG. 3 is a second side view thereof;

FIG. 4 is a front view thereof;

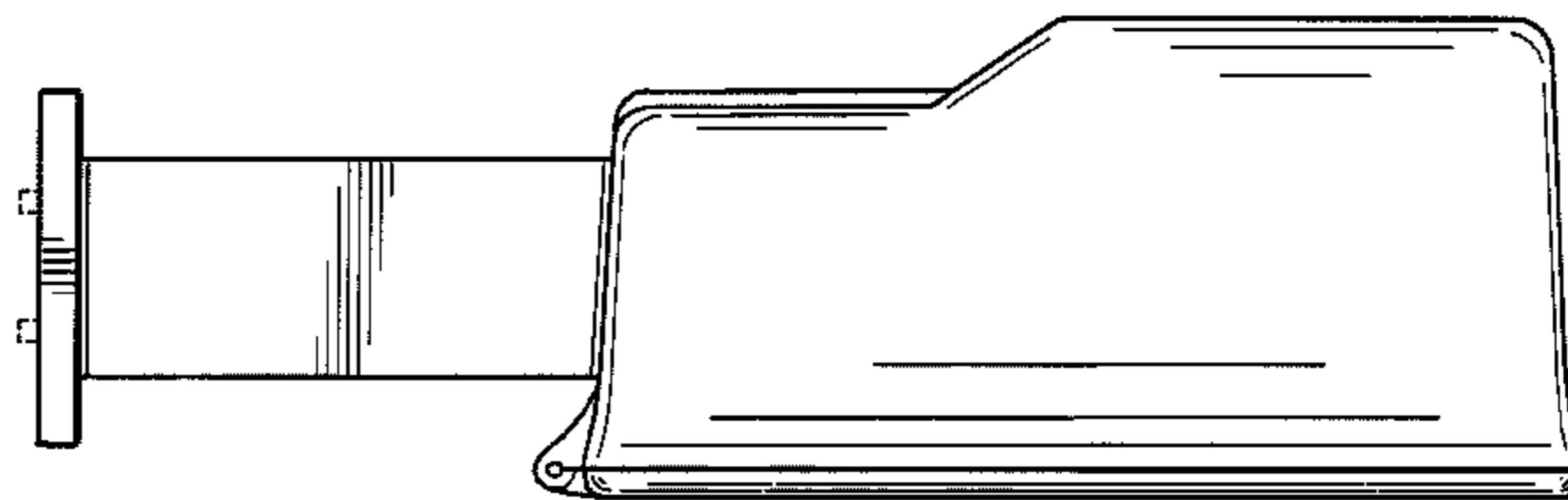
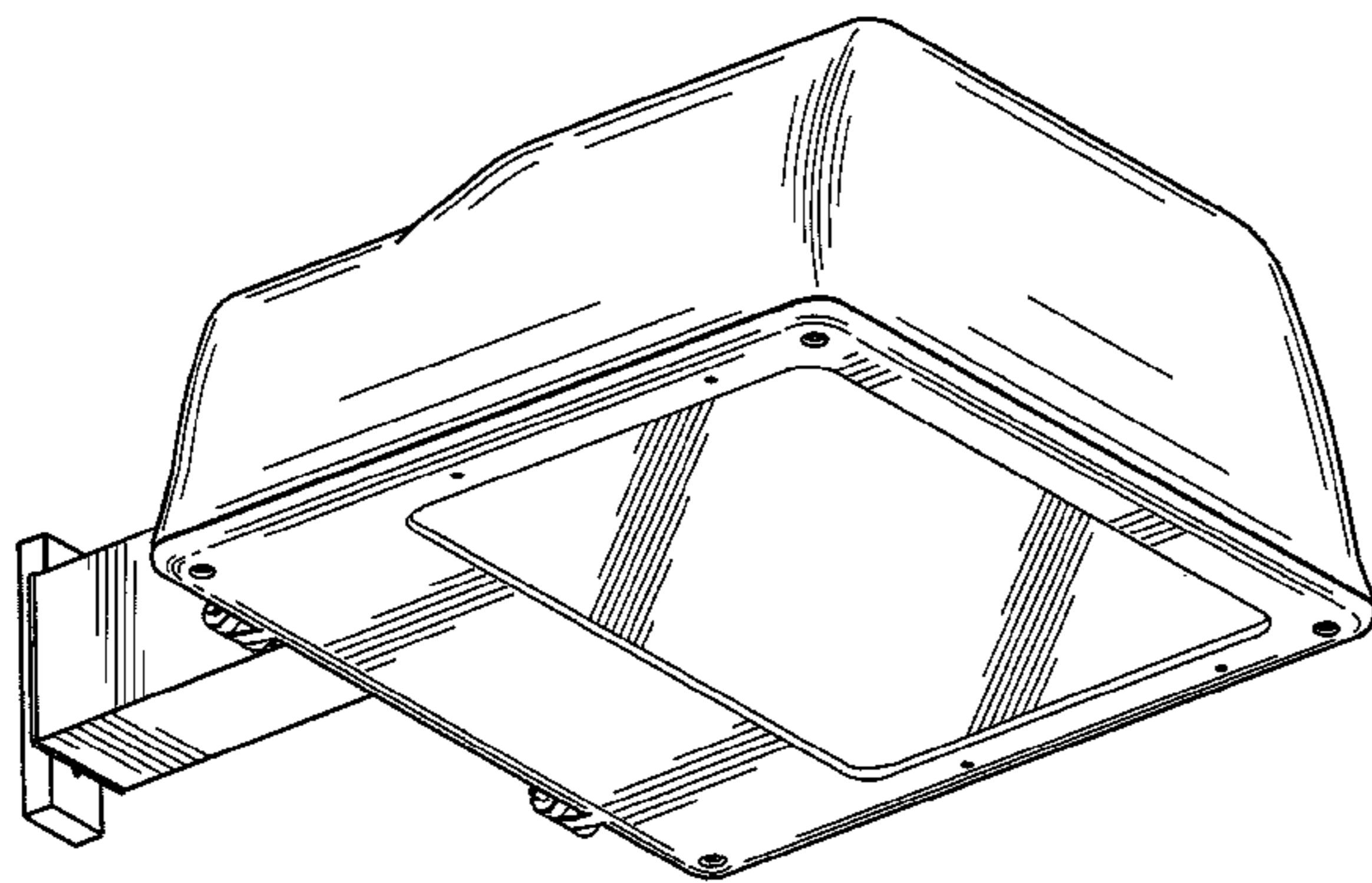
FIG. 5 is a rear view thereof;

FIG. 6 is a top view thereof; and,

FIG. 7 is a bottom view thereof.

The broken lines shown on the drawings are for illustrative purposes only and form no part of the claimed design.

1 Claim, 7 Drawing Sheets



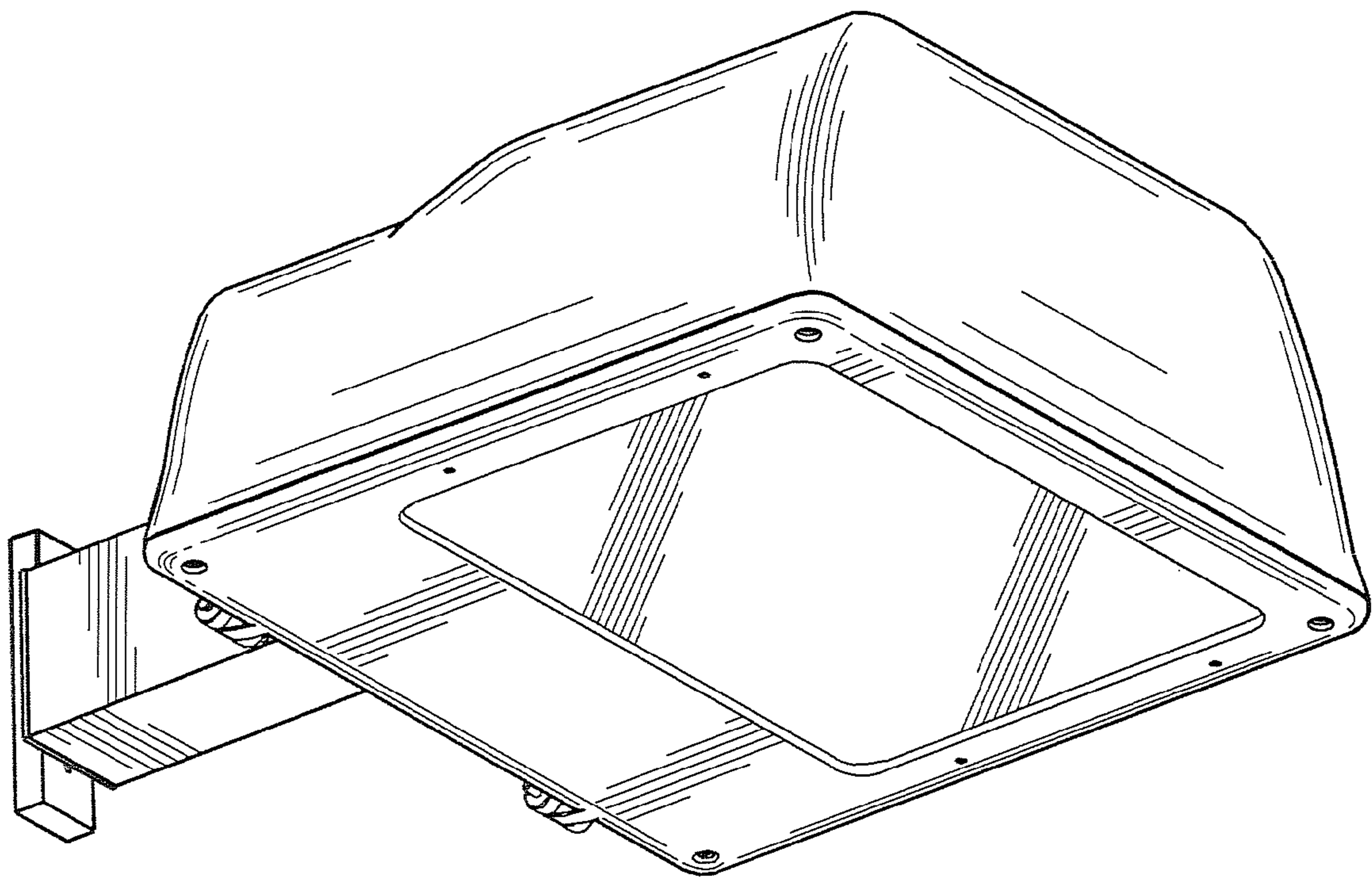


FIG. 1

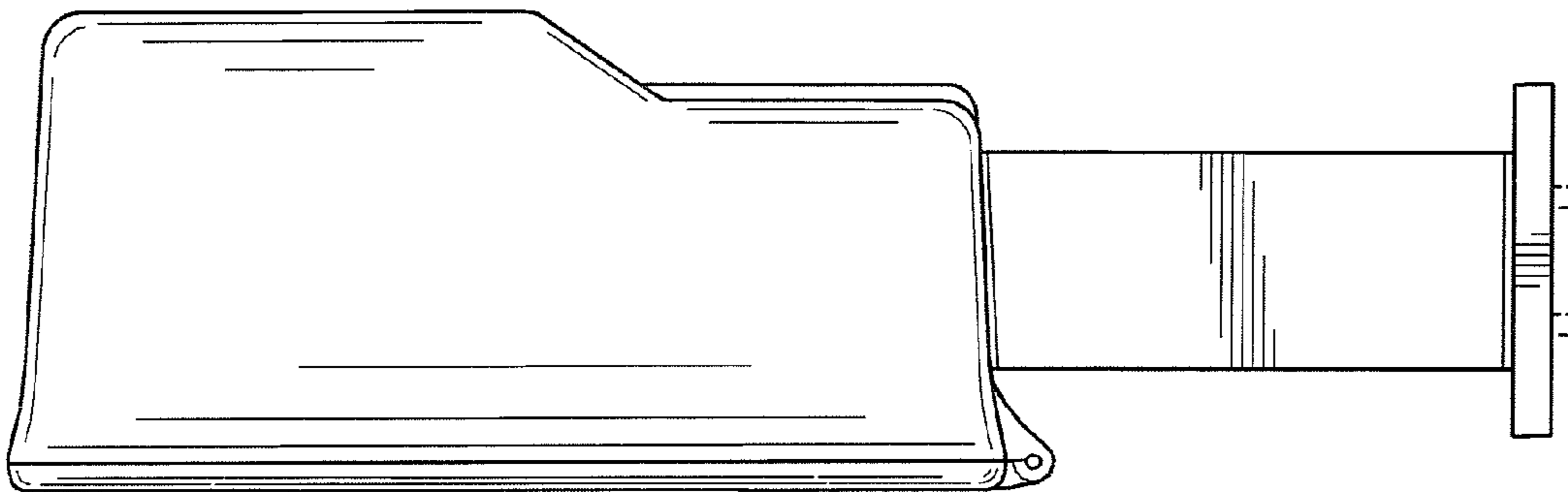


FIG. 2

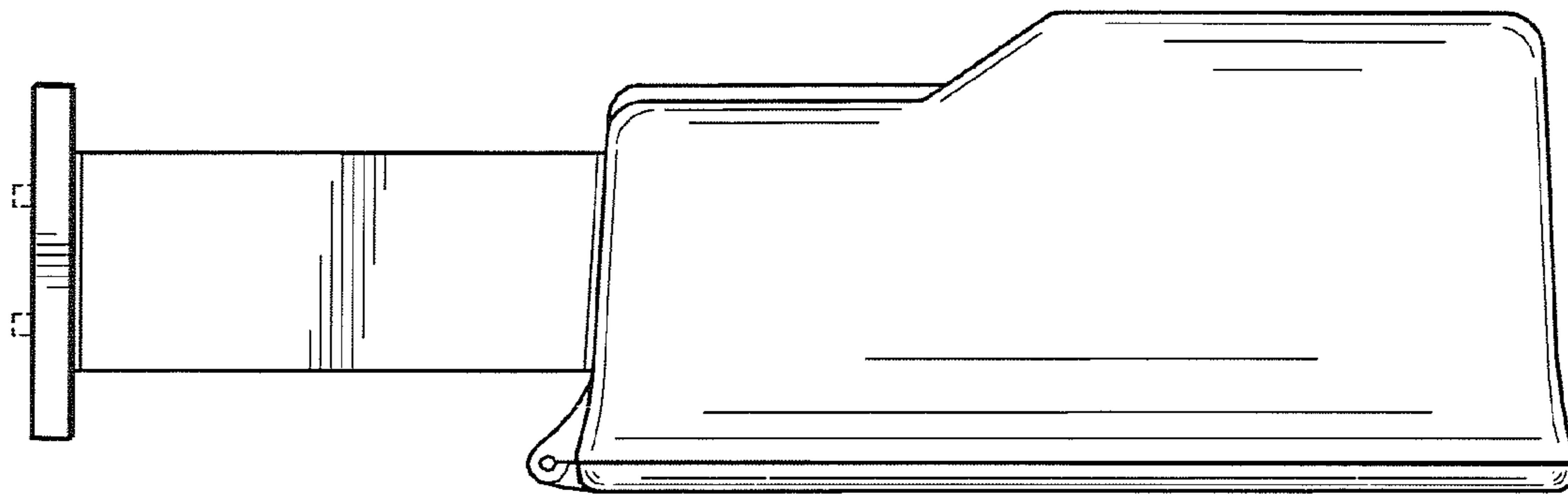


FIG. 3

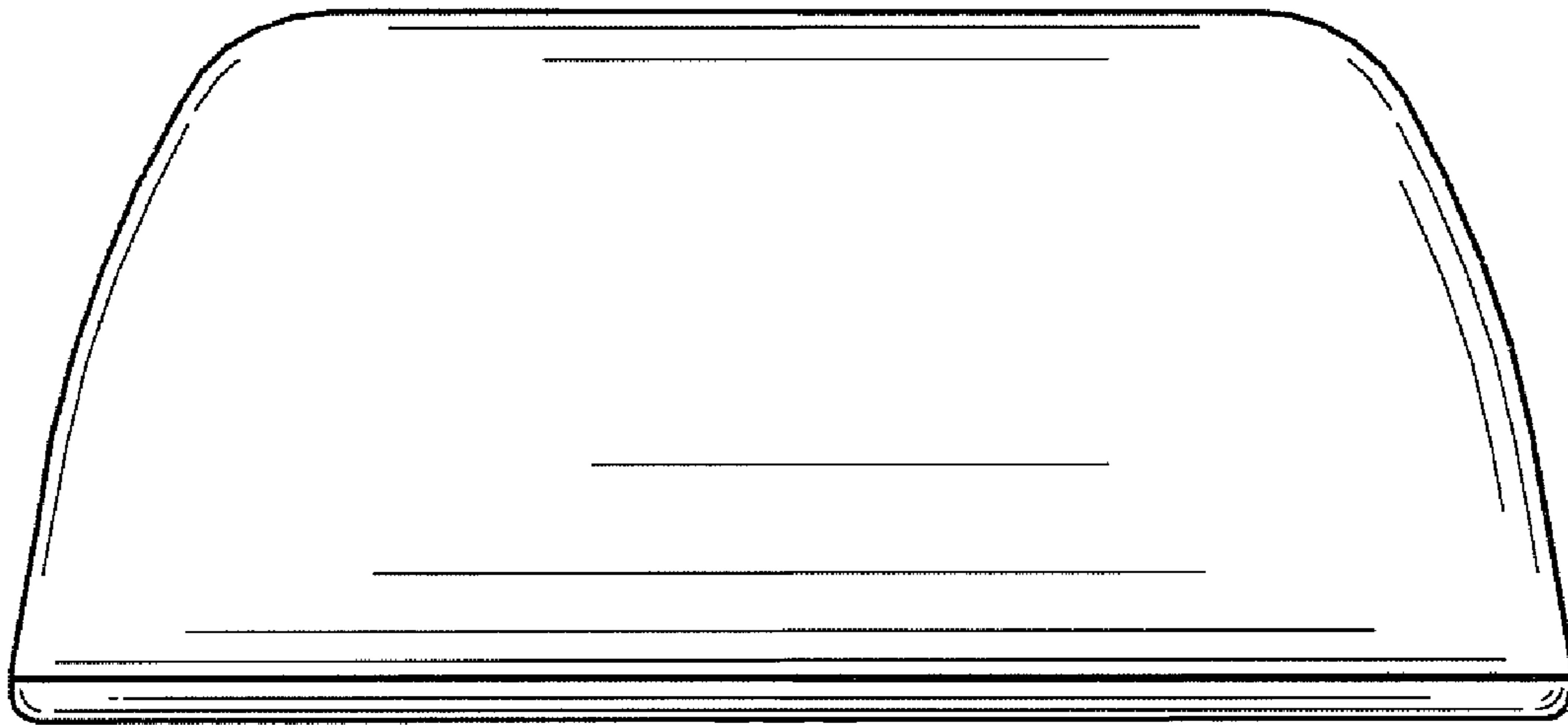


FIG. 4

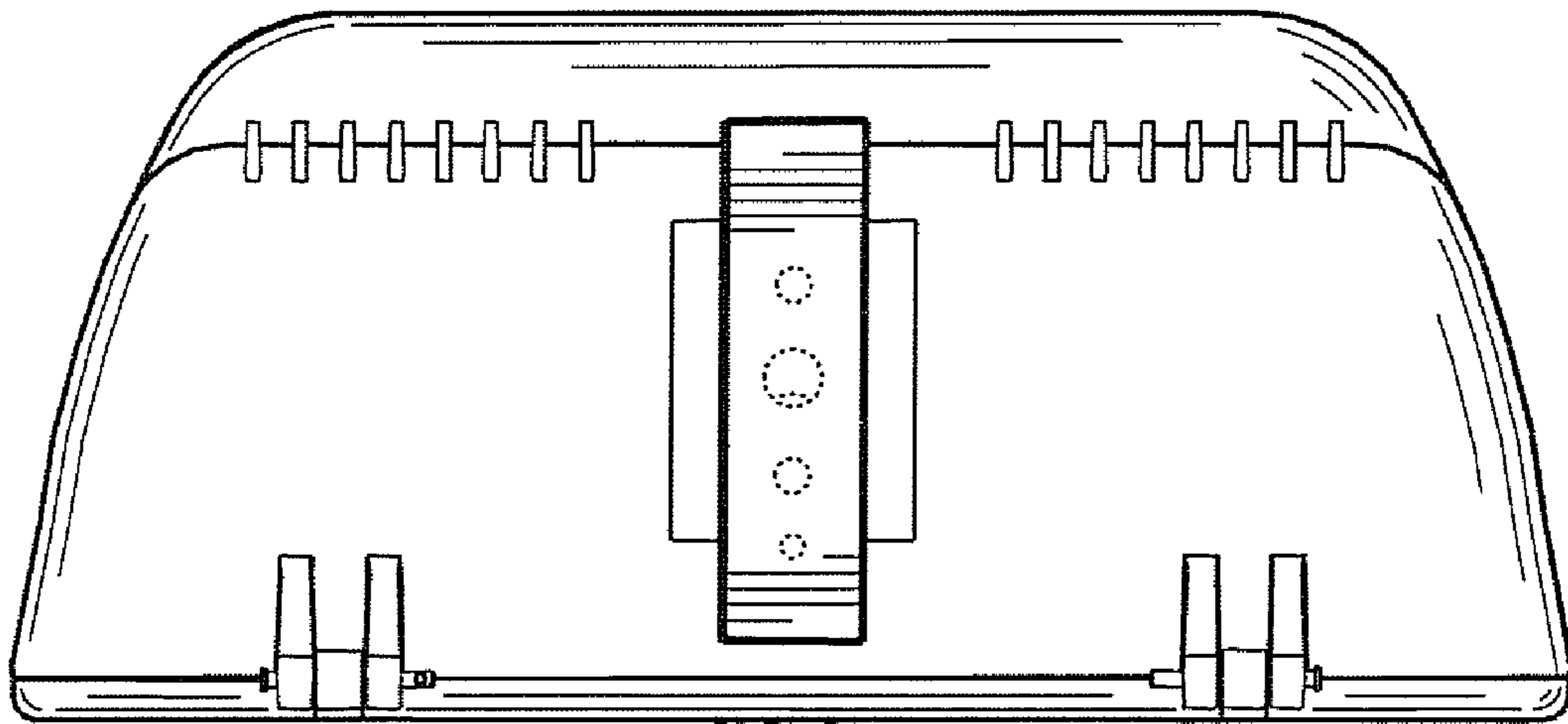


FIG. 5

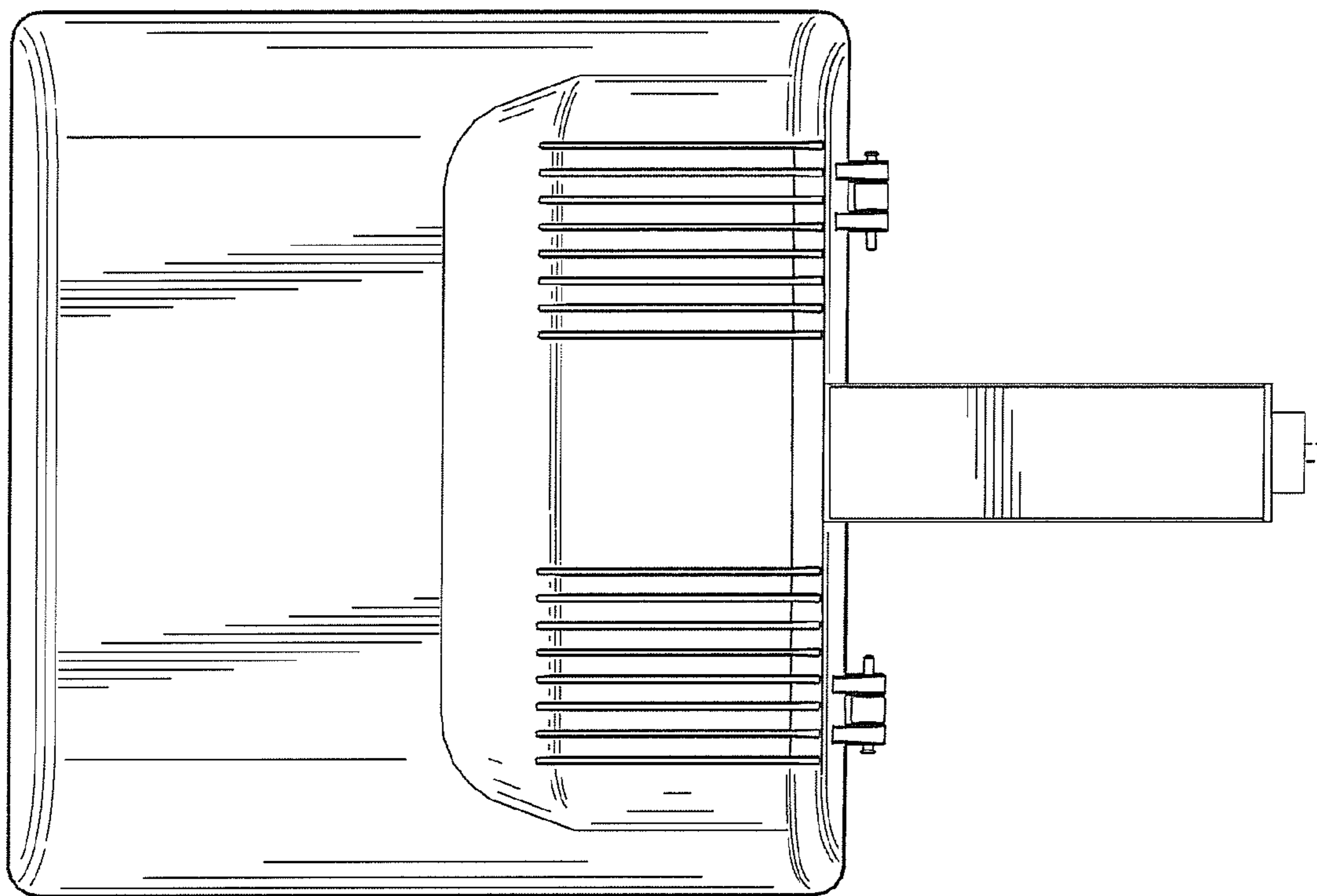


FIG. 6

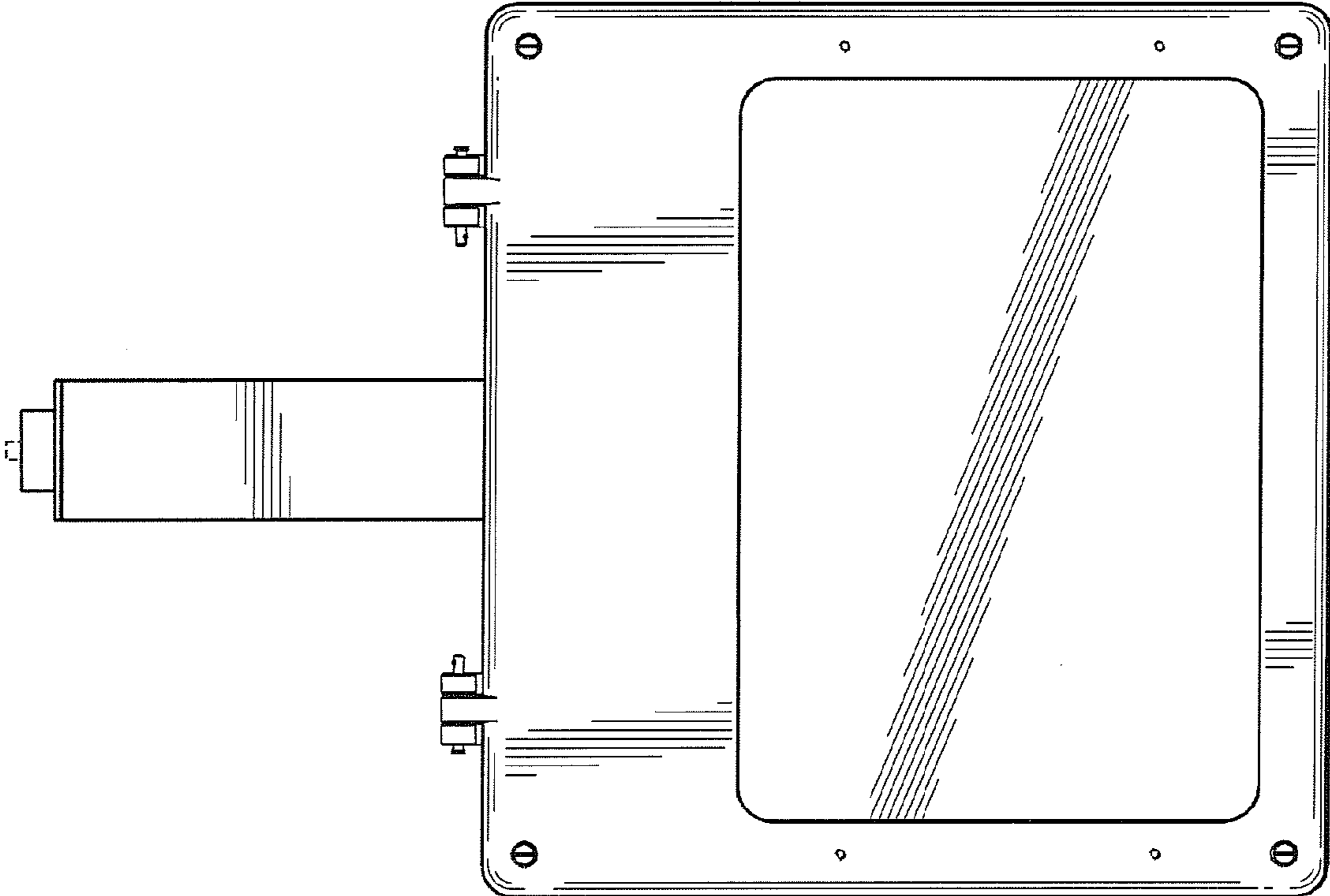


FIG. 7