



US00D587834S

(12) **United States Design Patent**
Möritz

(10) **Patent No.:** **US D587,834 S**
(45) **Date of Patent:** **** Mar. 3, 2009**

- (54) **PENDANT LUMINAIRE**
- (75) Inventor: **Thomas Möritz**, Berlin (DE)
- (73) Assignee: **Zumtobel Lighting GmbH**, Dornbirn (AT)
- (**) Term: **14 Years**
- (21) Appl. No.: **29/296,229**
- (22) Filed: **Oct. 16, 2007**
- (51) **LOC (9) Cl.** **26-03**
- (52) **U.S. Cl.** **D26/76**
- (58) **Field of Classification Search** D26/2,
D26/24, 35, 61, 7, 72, 74-79, 81-92, 118,
D26/122; 362/147, 217-225, 132, 260-263,
362/267, 283, 337, 347, 364; 43/113; D23/372,
D23/328, 385; D14/209; 52/98
See application file for complete search history.

D203,406 S *	1/1966	Wince	D26/76
D208,572 S *	9/1967	Wakefield	D26/76
D348,533 S *	7/1994	Herst et al.	D26/85
D393,734 S *	4/1998	Casteel	D26/76
D461,923 S *	8/2002	Chelf	D26/76
D466,244 S *	11/2002	Lewis et al.	D26/76
D503,821 S *	4/2005	Waldmann	D26/78
7,261,436 B2 *	8/2007	Haugaard et al.	362/225
2005/0157495 A1 *	7/2005	Bruck	362/240

* cited by examiner

Primary Examiner—Robert M Spear
Assistant Examiner—Susan E Krakower
(74) *Attorney, Agent, or Firm*—Marshall, Gerstein & Borun LLP

(56) **References Cited**

U.S. PATENT DOCUMENTS

2,291,493 A *	7/1942	Naysmith	362/222
D142,126 S *	8/1945	Sabatini	D26/78
D147,812 S *	11/1947	Picker	D26/78
D155,305 S *	9/1949	Meyer	D26/78
D158,781 S *	5/1950	Meyer	D26/78
D168,974 S *	3/1953	Spaulding	D26/76
2,700,095 A *	1/1955	Needham	219/220
2,713,631 A *	7/1955	Spinetta	362/225
2,864,939 A *	12/1958	Bodian et al.	362/222
D185,410 S *	6/1959	Bodlan	D26/76
D191,880 S *	12/1961	Henning	D26/76
D192,878 S *	5/1962	Miller	D26/76
3,109,599 A *	11/1963	Franck et al.	362/218
D199,687 S *	12/1964	Meyer	D26/76
3,209,142 A *	9/1965	Michel et al.	362/236

(57) **CLAIM**

The ornamental design for a pendant luminaire, as shown and described.

DESCRIPTION

FIG. 1 is a partial end perspective view of a pendant luminaire having the design.

FIG. 2 is an enlarged end perspective view of the luminaire.

FIG. 3 is a partial side perspective view of the luminaire.

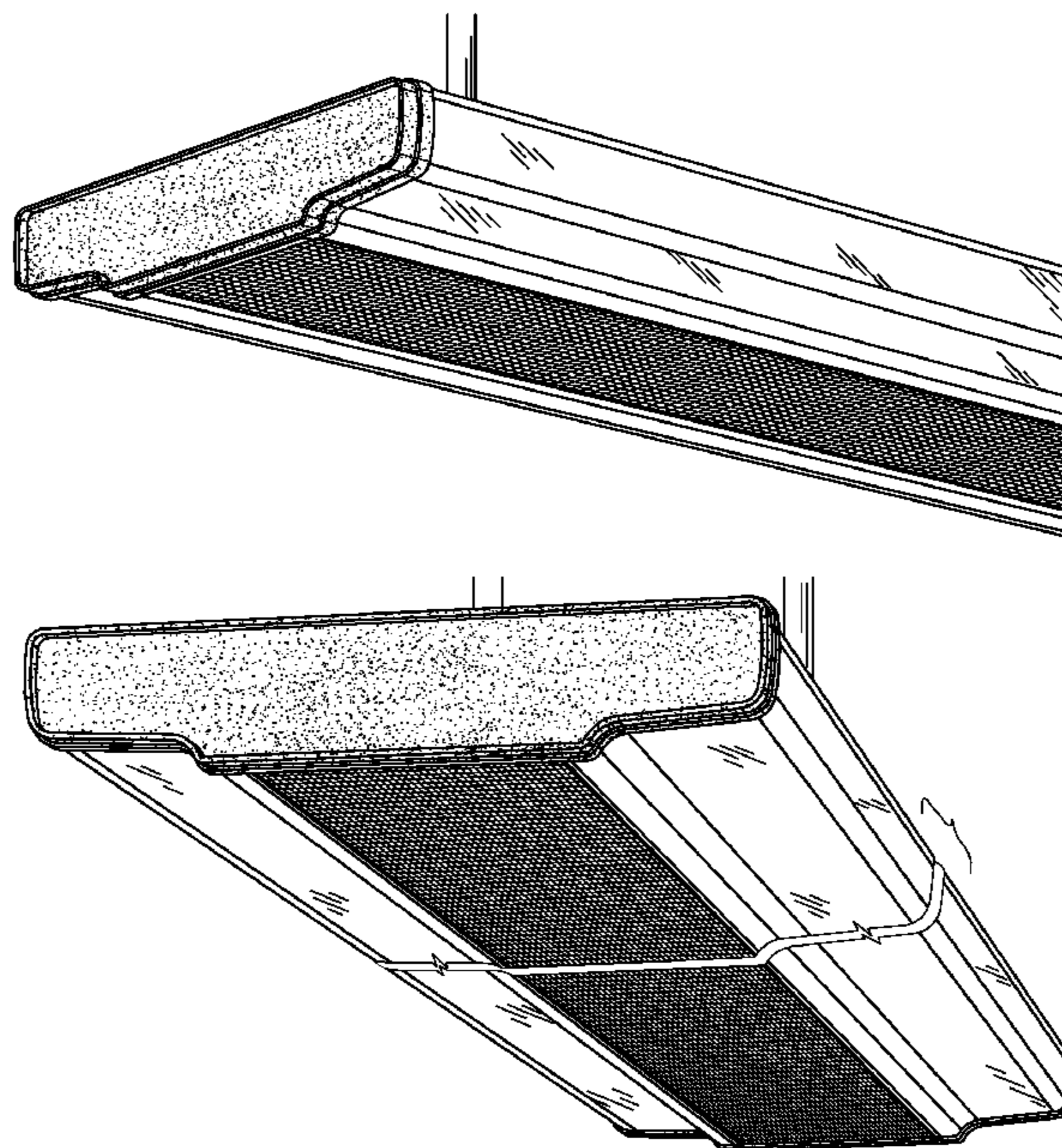
FIG. 4 is a partial enlarged bottom and end perspective view of the luminaire.

FIG. 5 is a partial enlarged bottom perspective view of the luminaire.

FIG. 6 is a partial enlarged end perspective view of the luminaire; and,

FIG. 7 is an enlarged bottom and end perspective view of the luminaire.

1 Claim, 7 Drawing Sheets



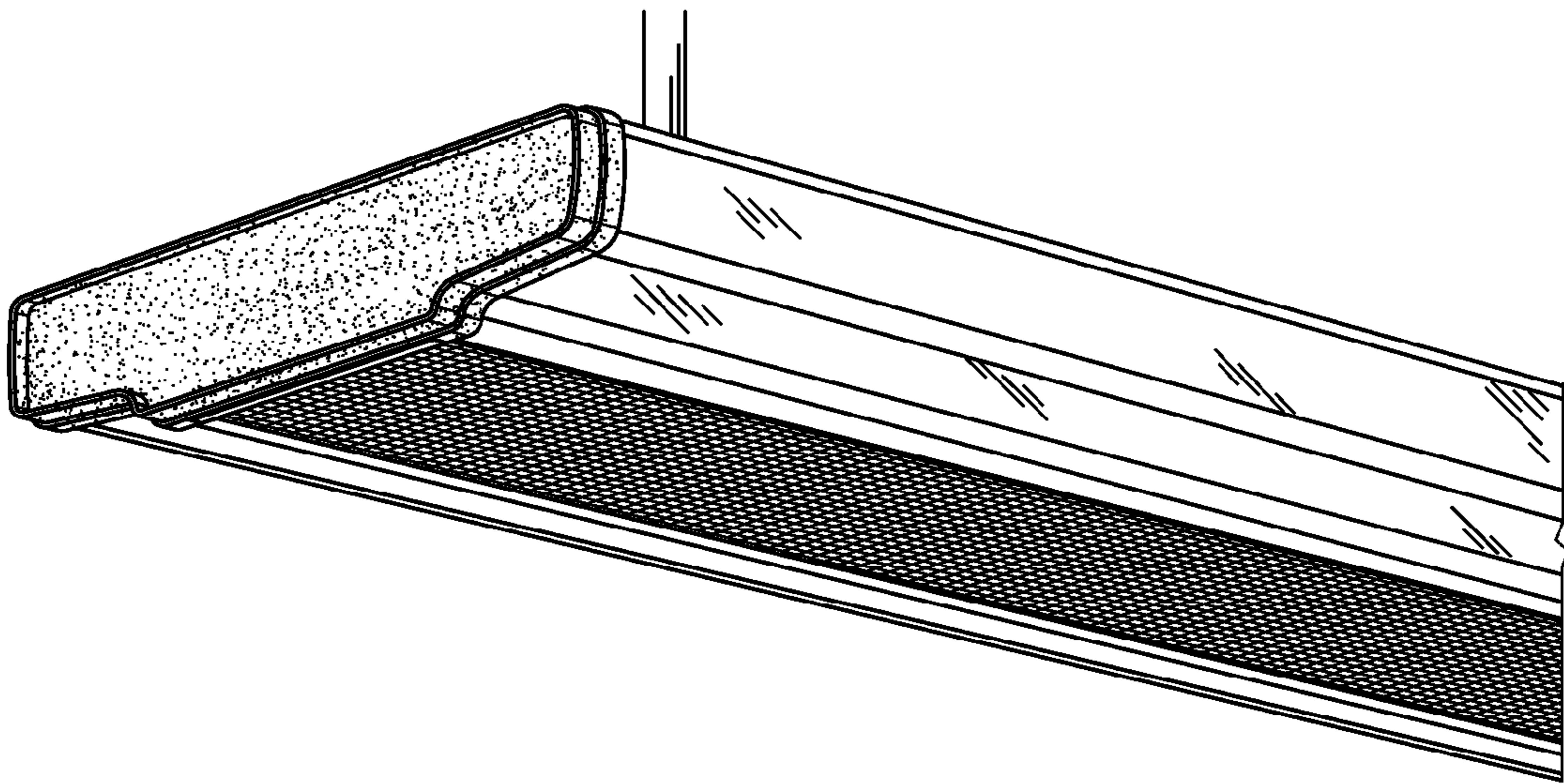


FIG. 1

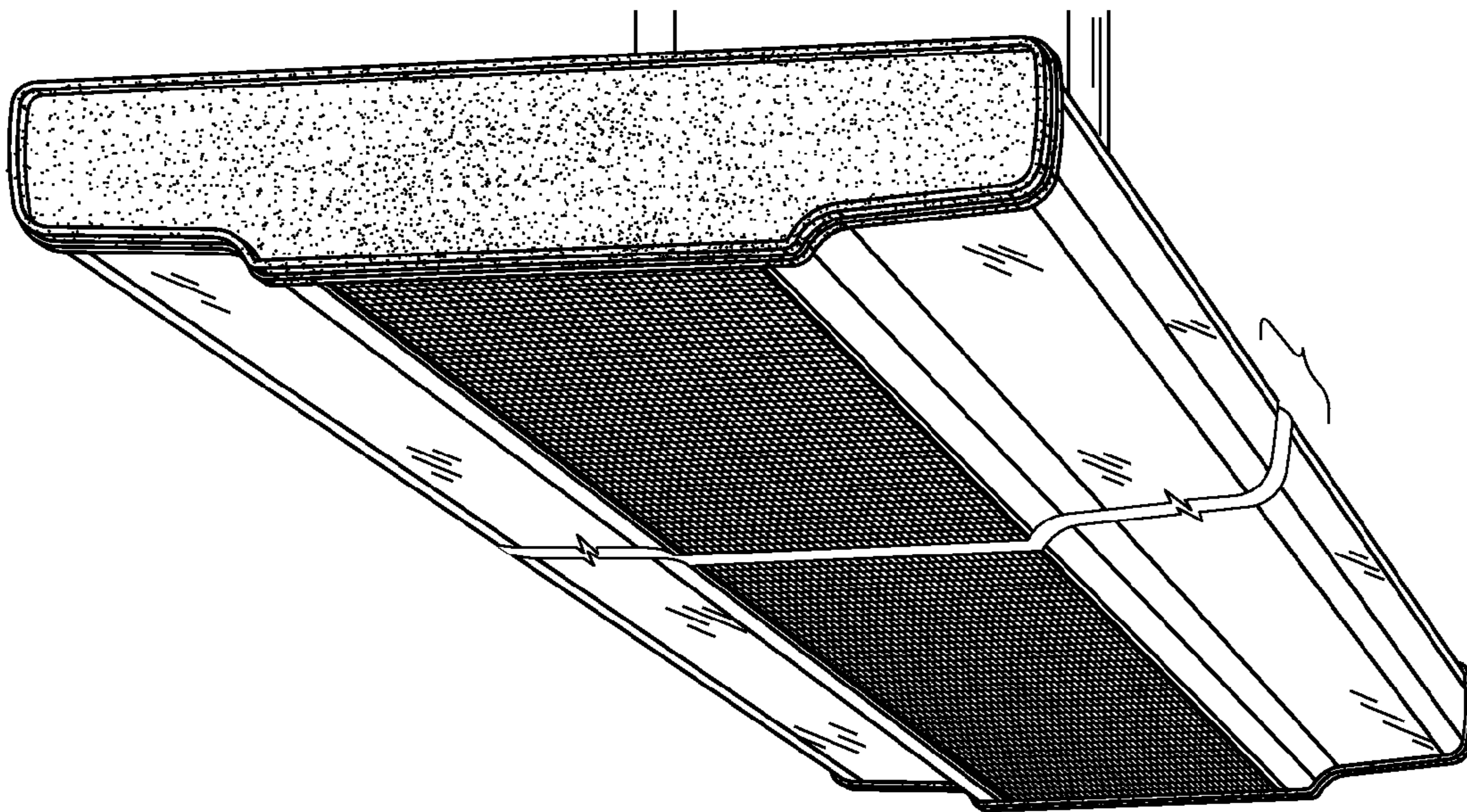


FIG. 2

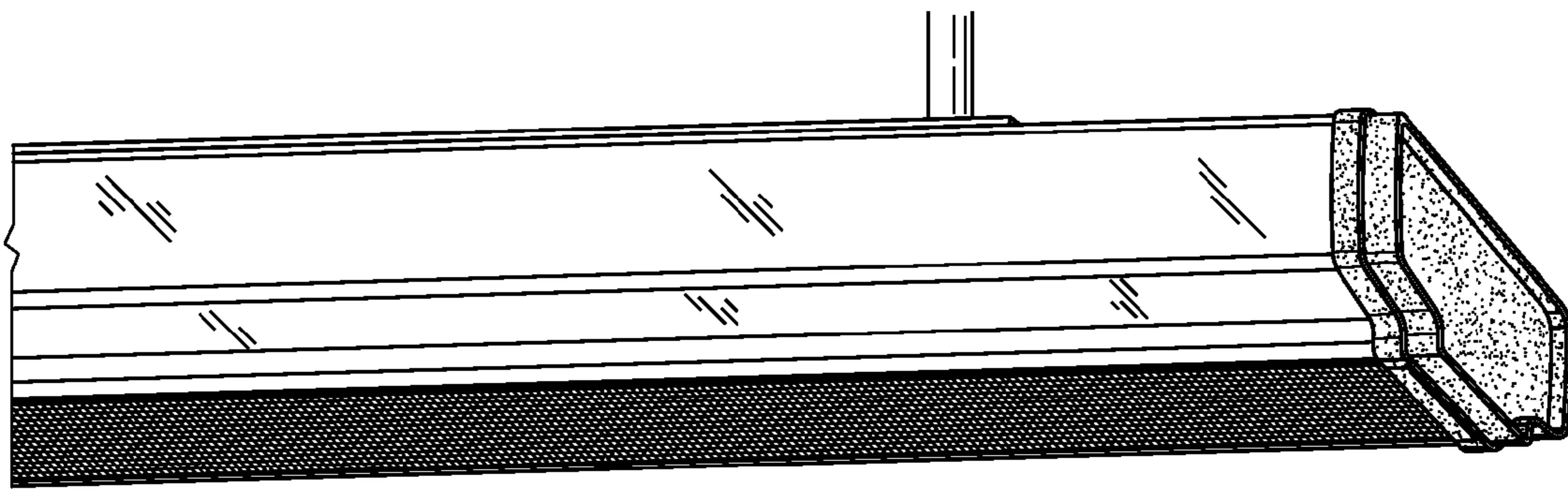


FIG. 3

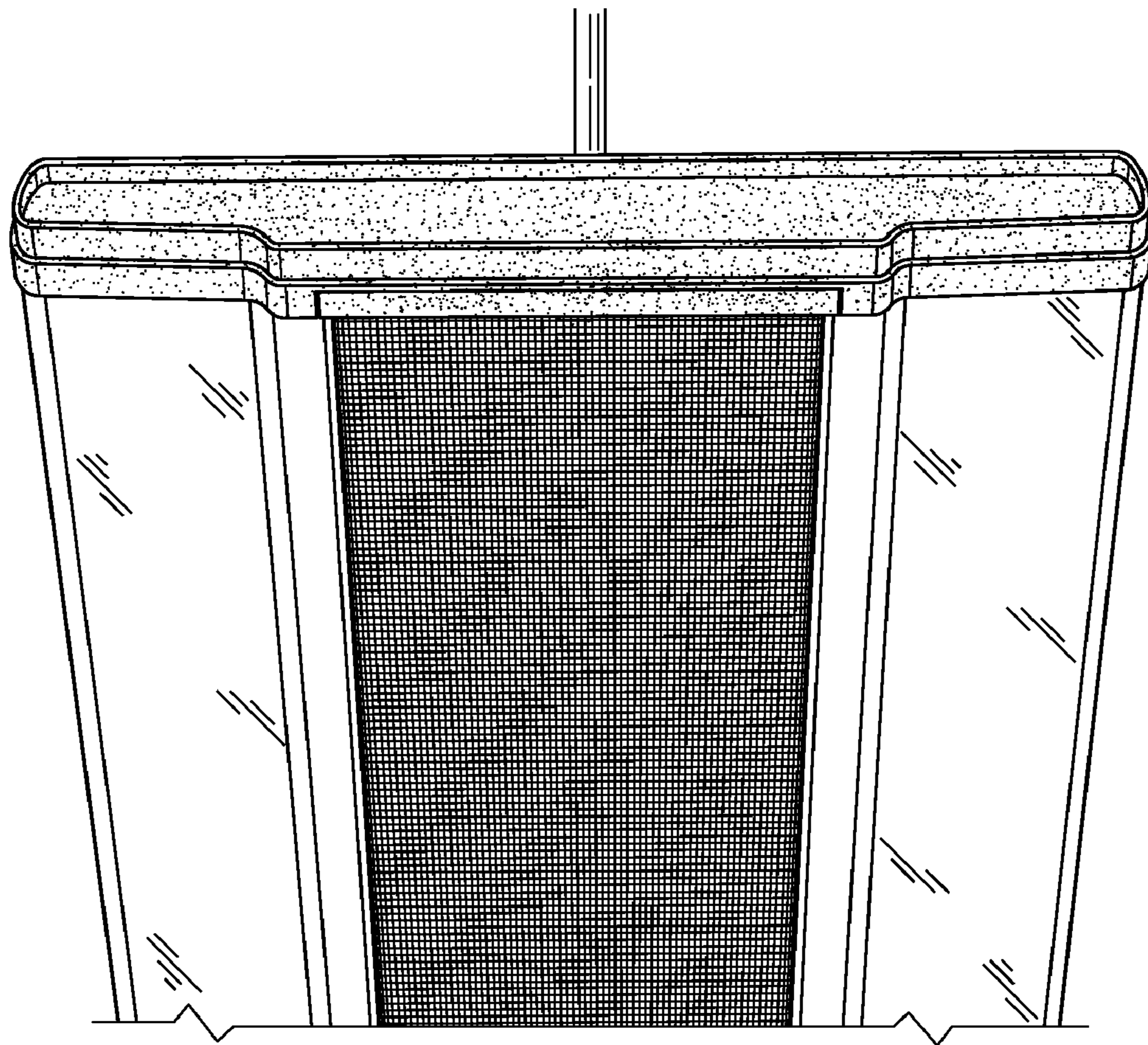


FIG. 4

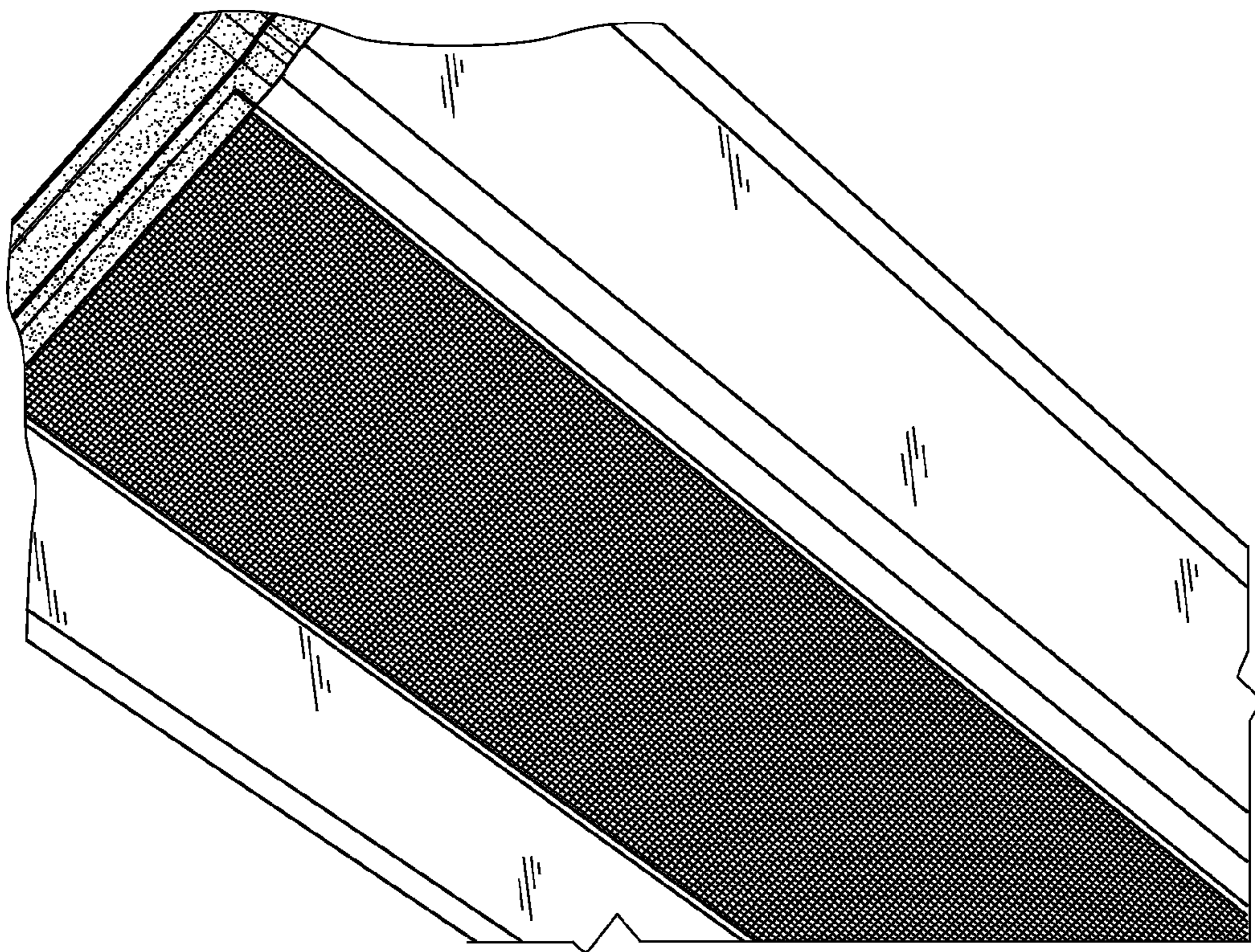


FIG. 5

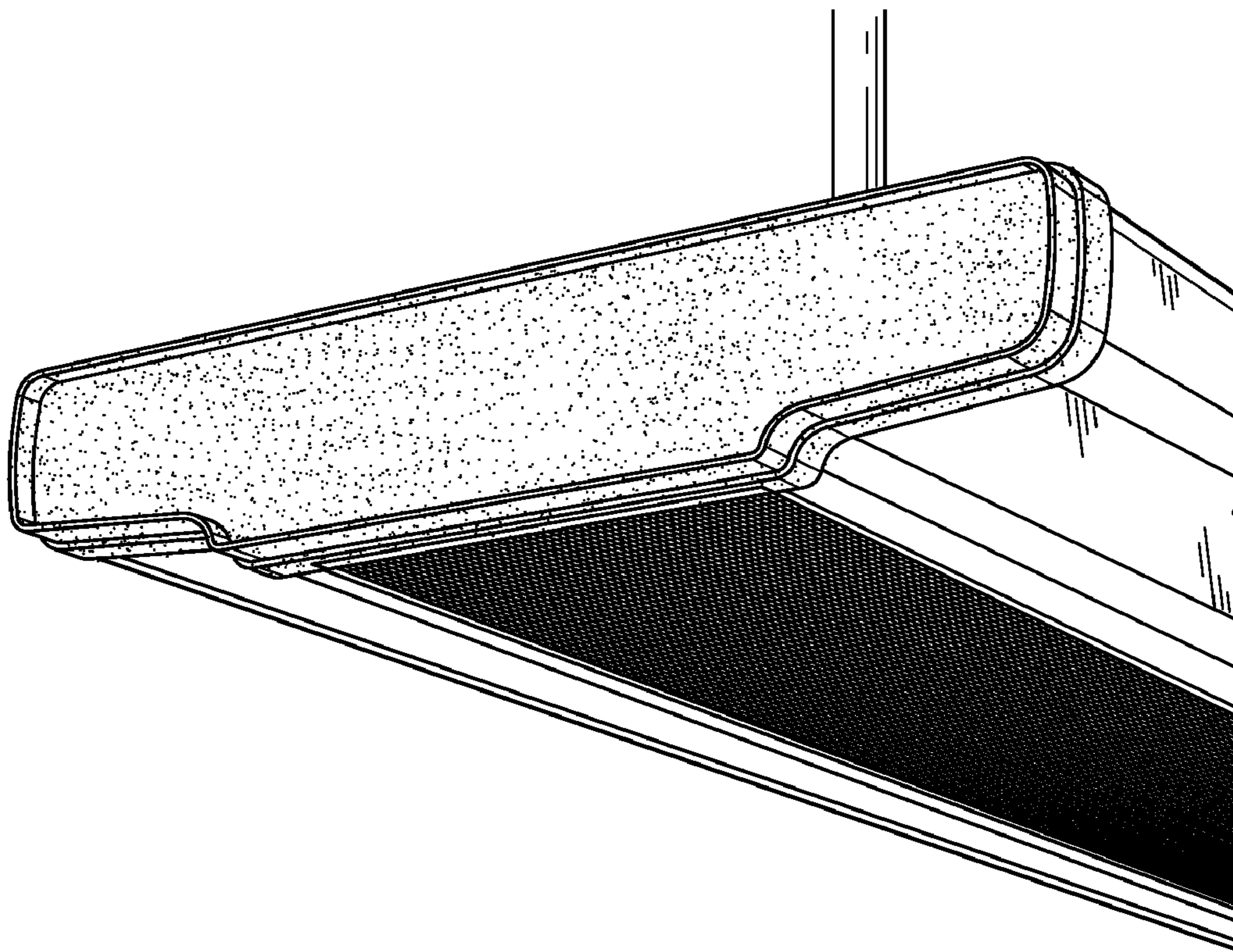


FIG. 6

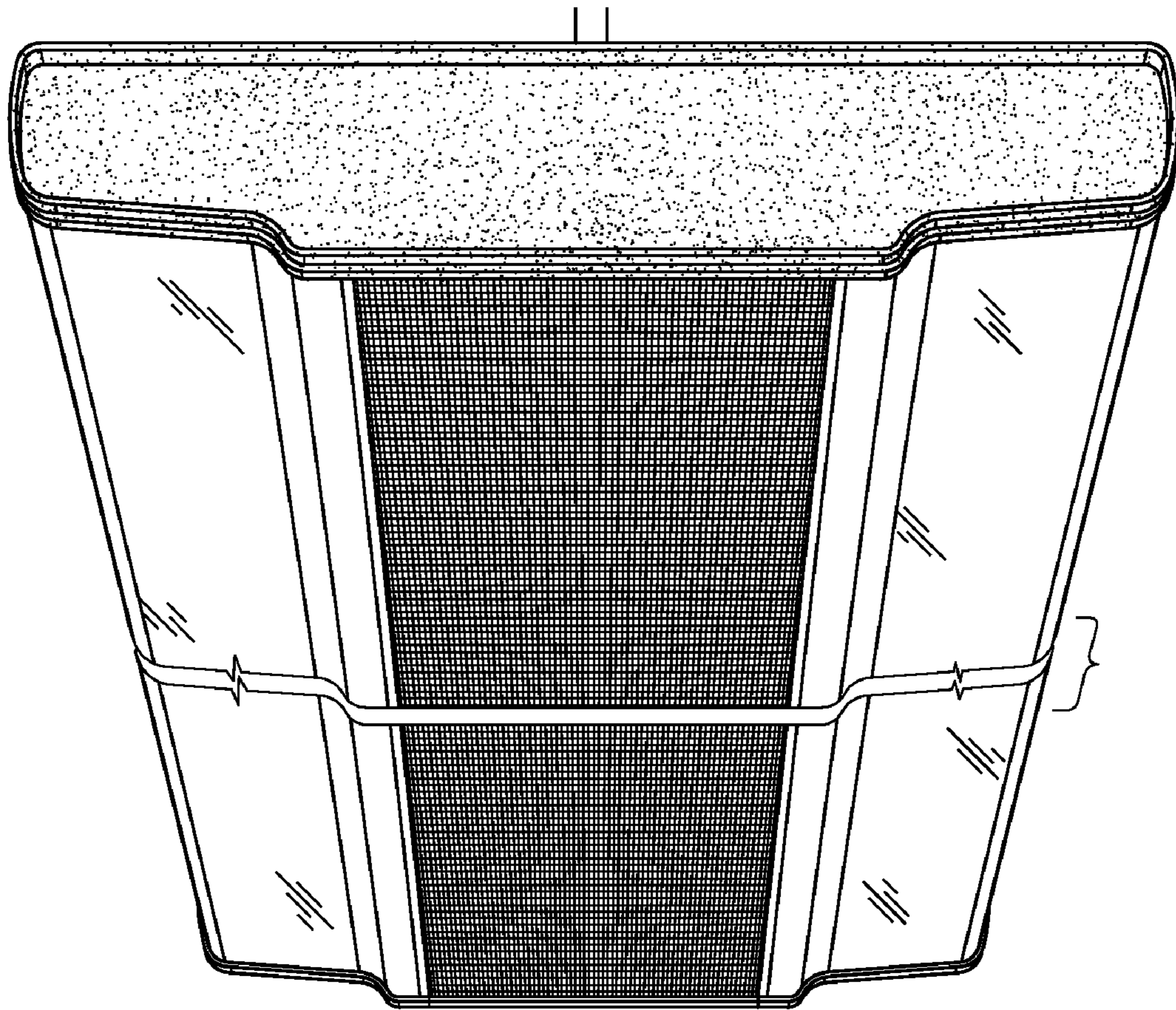


FIG. 7