



US00D587833S

(12) **United States Design Patent**  
**Bina et al.**

(10) **Patent No.:** **US D587,833 S**  
(45) **Date of Patent:** **\*\* Mar. 3, 2009**

(54) **DOCKLIGHT**

(75) Inventors: **Dave Bina**, Northfield Center, OH (US);  
**Gregory P. Frankiewicz**, Mayfield Heights, OH (US)

(73) Assignee: **Energy Focus, Inc.**, Solon, OH (US)

(\*\*) Term: **14 Years**

(21) Appl. No.: **29/320,333**

(22) Filed: **Jun. 25, 2008**

(51) **LOC (9) Cl.** ..... **26-05**

(52) **U.S. Cl.** ..... **D26/63**

(58) **Field of Classification Search** ..... D26/43,  
D26/51, 56, 60-66, 72, 93, 107, 118, 128;  
D24/210; 362/147, 191, 230, 231, 232, 238,  
362/239, 250, 254, 255, 265, 269, 270, 275,  
362/277, 278, 280-288, 306, 310, 311, 362,  
362/396, 404, 410-414, 418-430, 449, 640,  
362/647, 648, 652, 653, 655, 804, 99; 439/122

See application file for complete search history.

(56) **References Cited**

U.S. PATENT DOCUMENTS

D329,917 S	*	9/1992	Galerie	.....	D26/63
D364,001 S	*	11/1995	Lieberman et al.	.....	D26/63
D383,236 S	*	9/1997	Krogman	.....	D26/63
D437,652 S	*	2/2001	Uhler et al.	.....	D26/63
D443,707 S	*	6/2001	Poon	.....	D26/41
D465,588 S	*	11/2002	Nagano	.....	D26/28
D475,799 S	*	6/2003	Kovacik et al.	.....	D26/65
D572,856 S	*	7/2008	Kehl et al.	.....	D26/61

OTHER PUBLICATIONS

Sharper Lighting Concepts. LED Docklight. No publication date. Captured Dec. 11, 2008 <<http://www.sharperlightingconcepts.com>>.\*

Energy Focus. LED Docklight. Copyright 2008. Captured Dec. 11, 2008 <<http://energyfocusinc.com>>.\*  
<http://www.mcmaster.com/#catalog/114/698> visited on or about Sep. 22, 2008, admitted as prior art.  
<http://www.leddynamics.com/dockled.html> visited on or about Sep. 22, 2008, admitted as prior art.  
<http://www.daybrite.com/pdfspeccs/AL-12070.pdf> visited on or about Sep. 22, 2008.  
<http://www.daybritelighting.com/brochures/254.pdf> visited on or about Sep. 22, 2008.  
LED GlobeLight, product brochure (2 pages), published by Energy Focus, Inc., admitted to be known to the present inventors before the present invention was conceived.

\* cited by examiner

*Primary Examiner*—Cathron C Brooks

*Assistant Examiner*—Barbara Fox

(74) *Attorney, Agent, or Firm*—Bruzga & Associates

(57) **CLAIM**

The ornamental design of a docklight, as shown.

**DESCRIPTION**

FIG. 1 is a top perspective view of the docklight showing the new design;

FIG. 2 is a front view of the docklight showing the new design;

FIG. 3 is a back view of the docklight showing the new design;

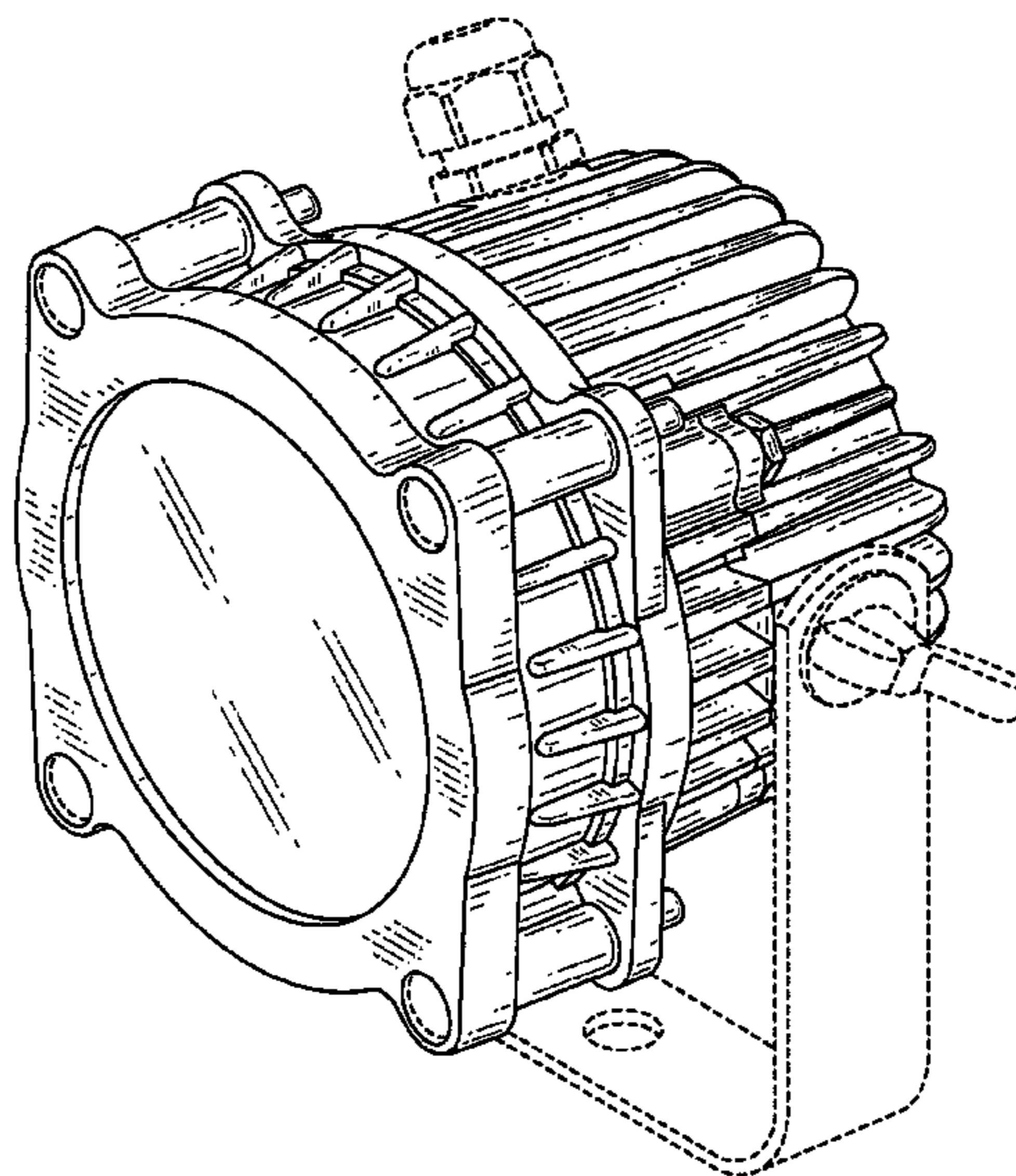
FIG. 4 is a left side view of the docklight showing the new design;

FIG. 5 is a right side view of the docklight showing the new design;

FIG. 6 is a top view of the docklight showing the new design; and,

FIG. 7 is a bottom view of the docklight showing the new design.

**1 Claim, 6 Drawing Sheets**



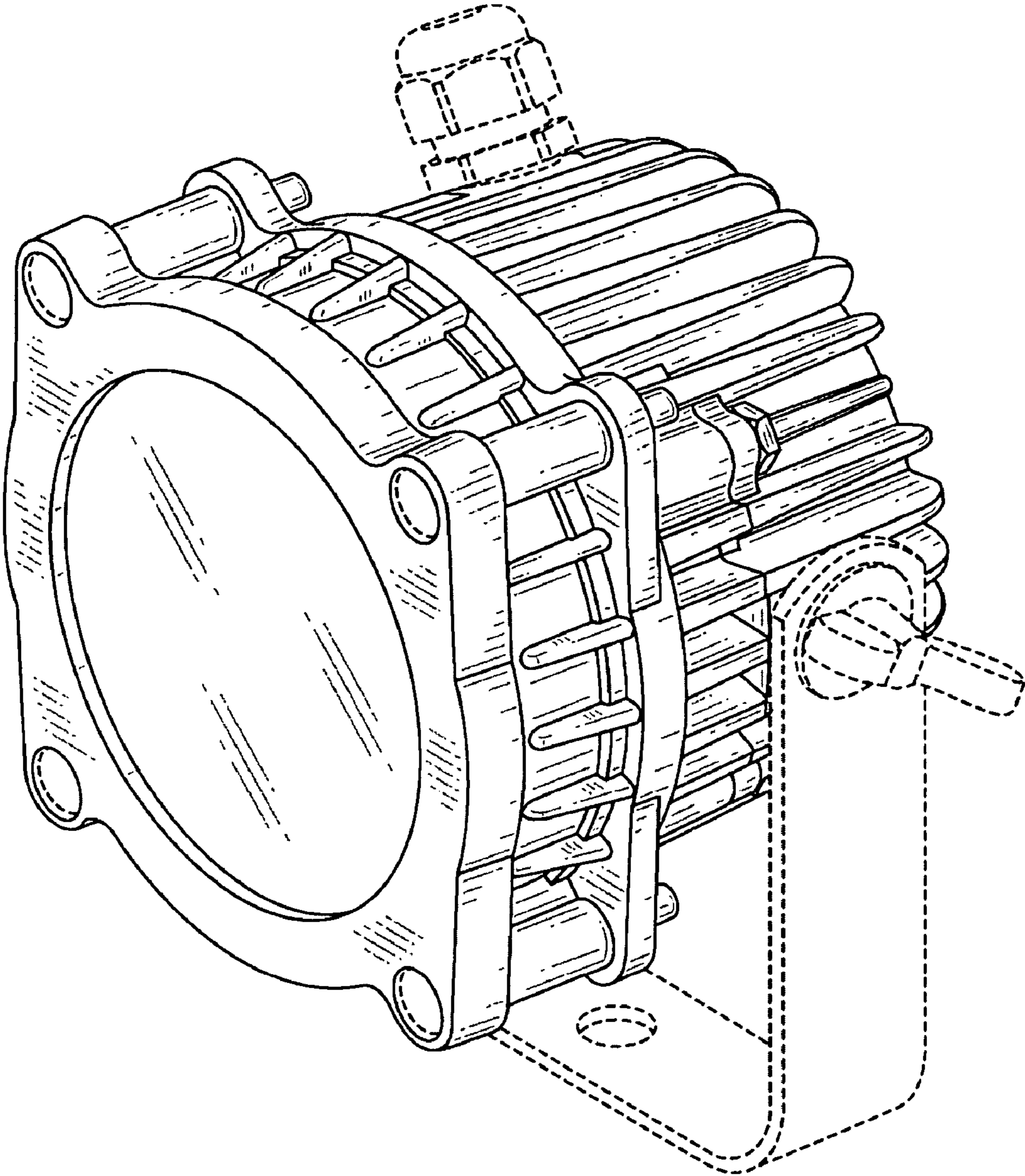


FIG. 1

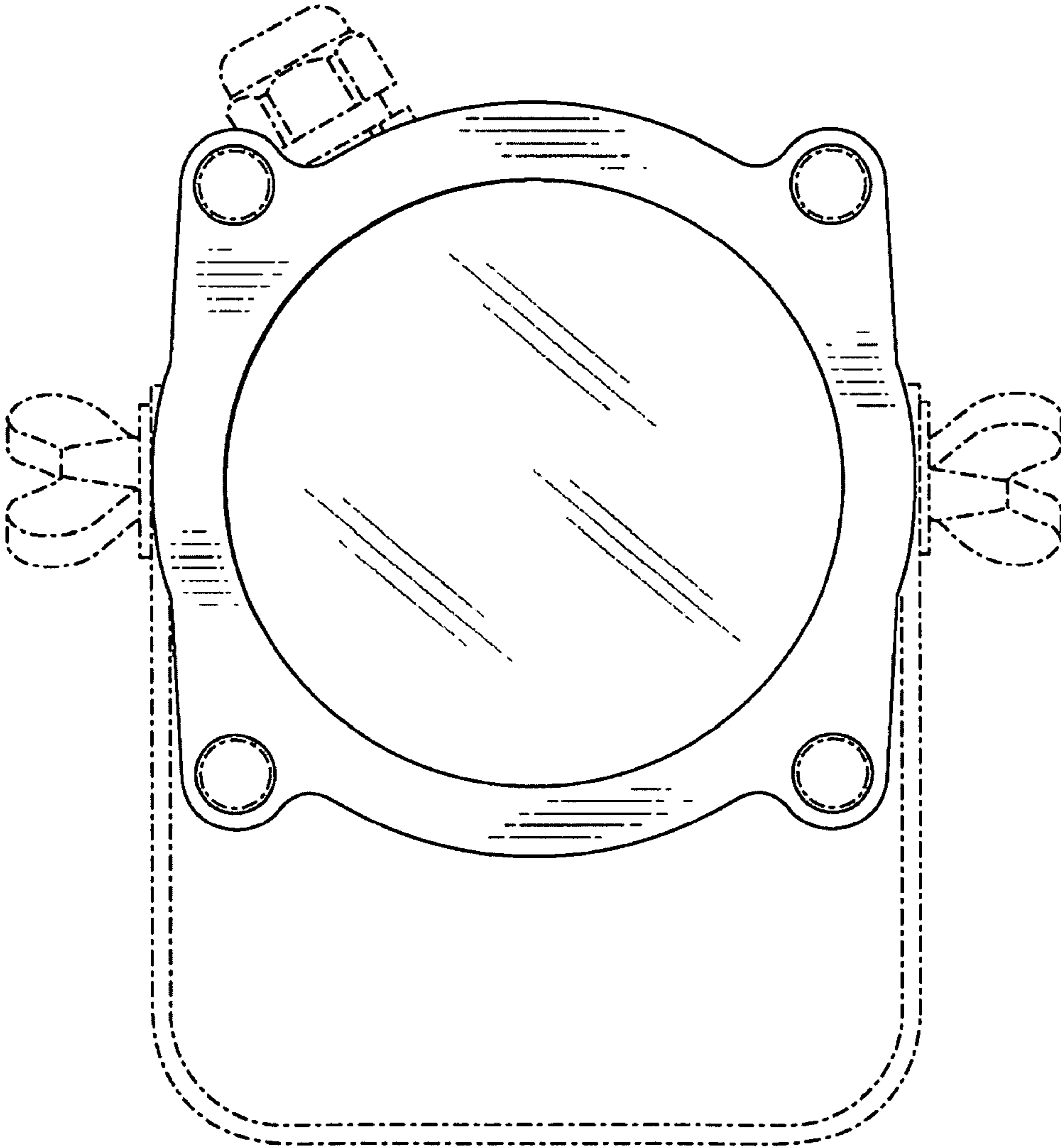


FIG. 2

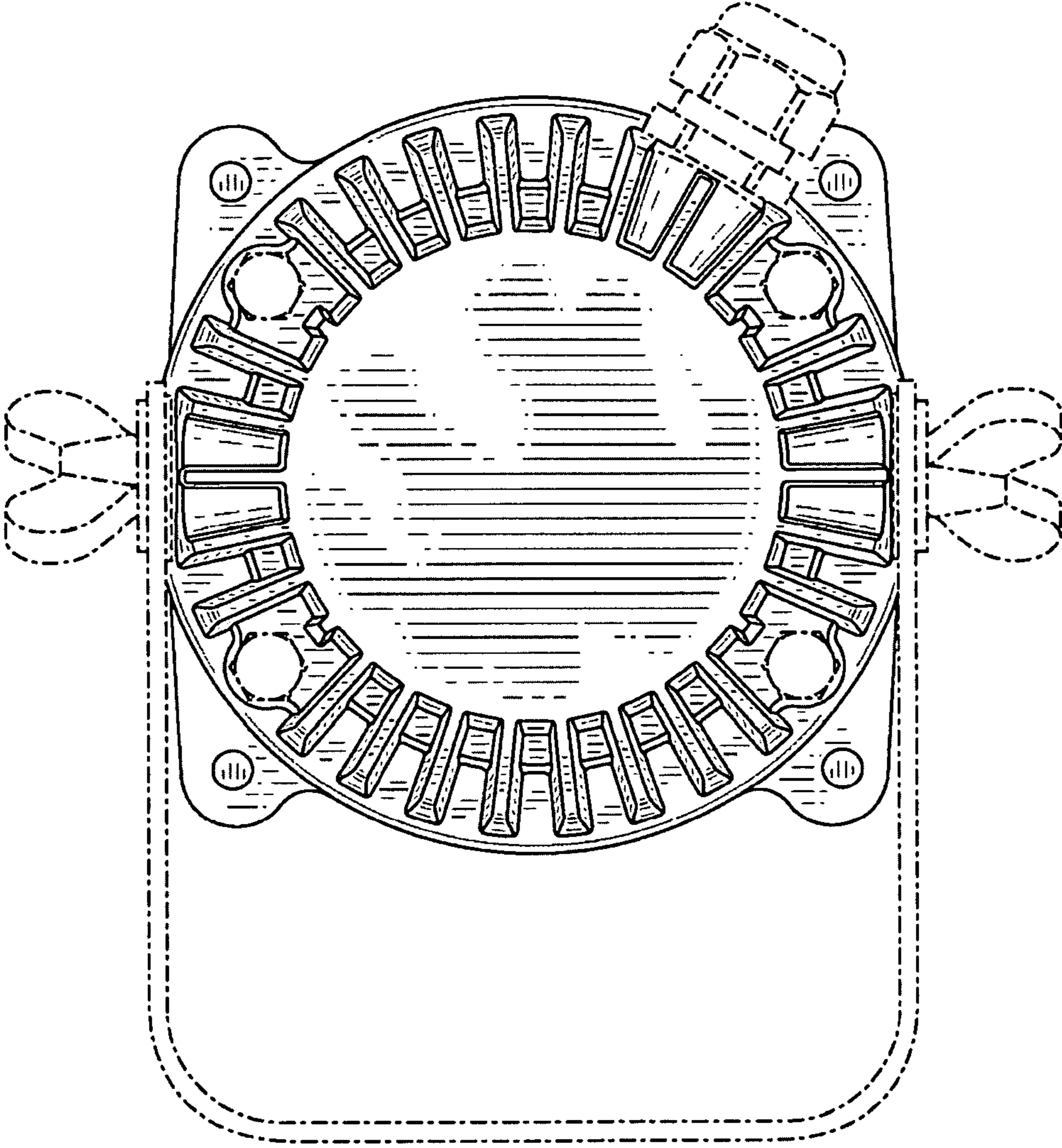


FIG. 3

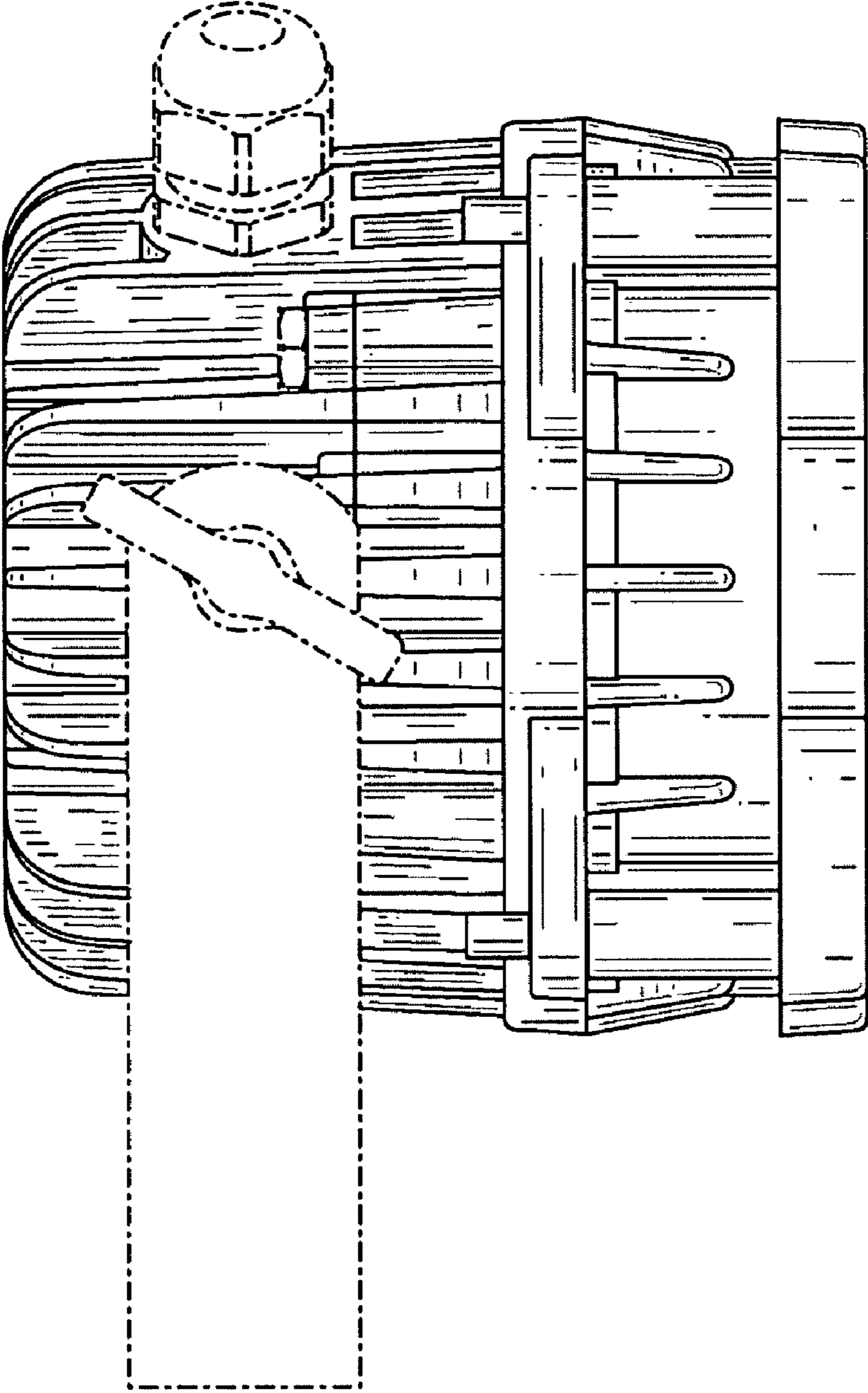


FIG. 4

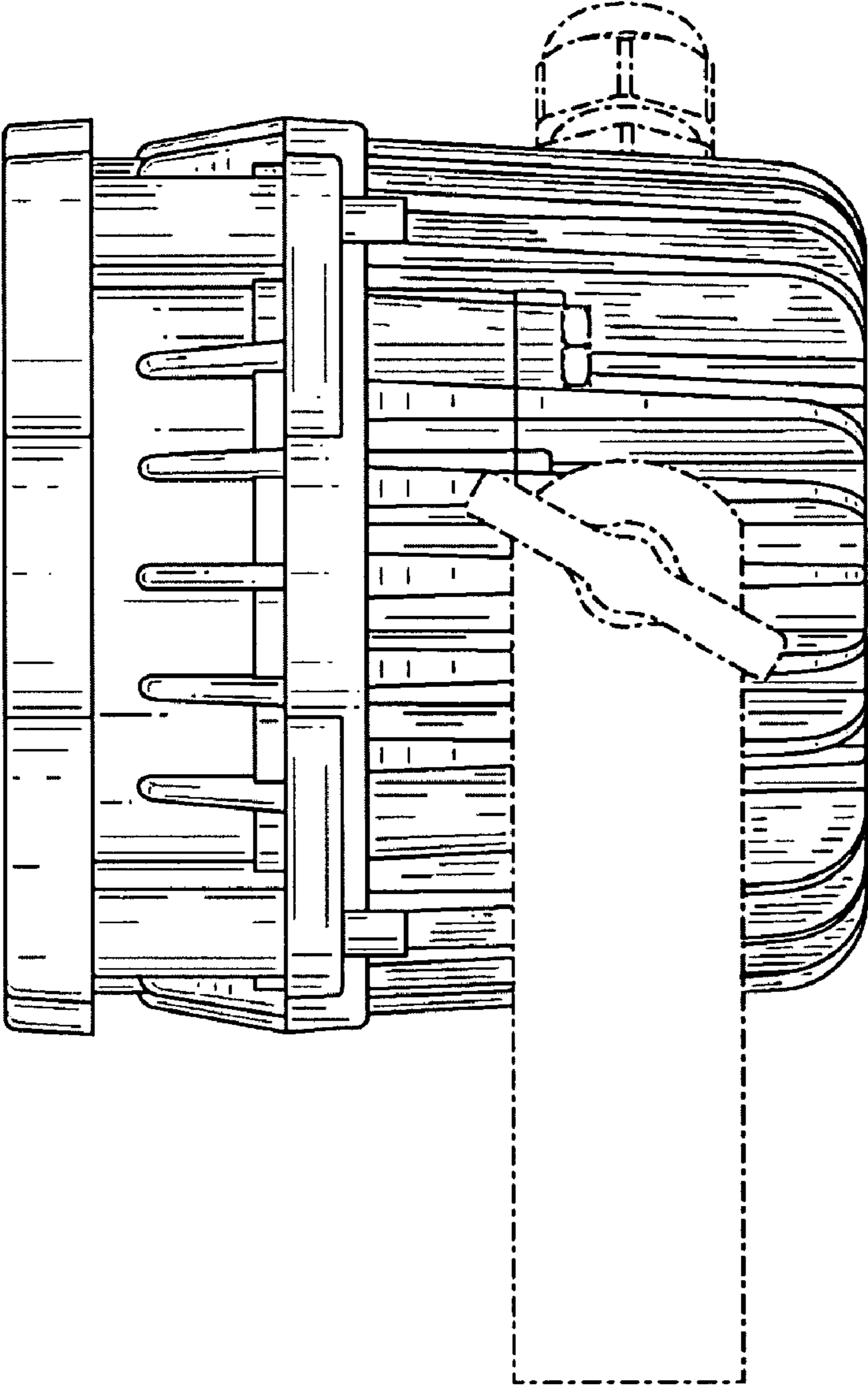


FIG. 5

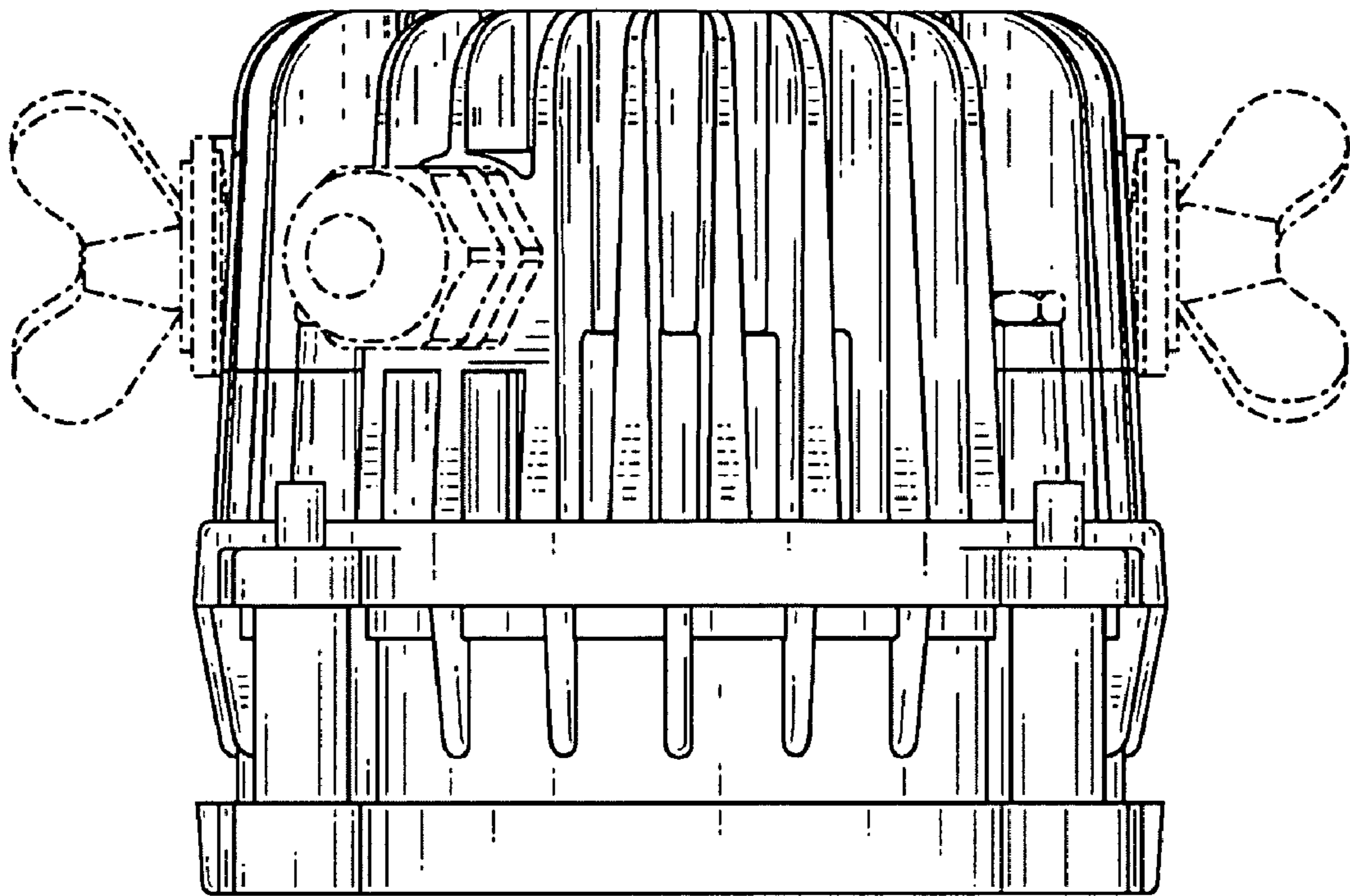


FIG. 6

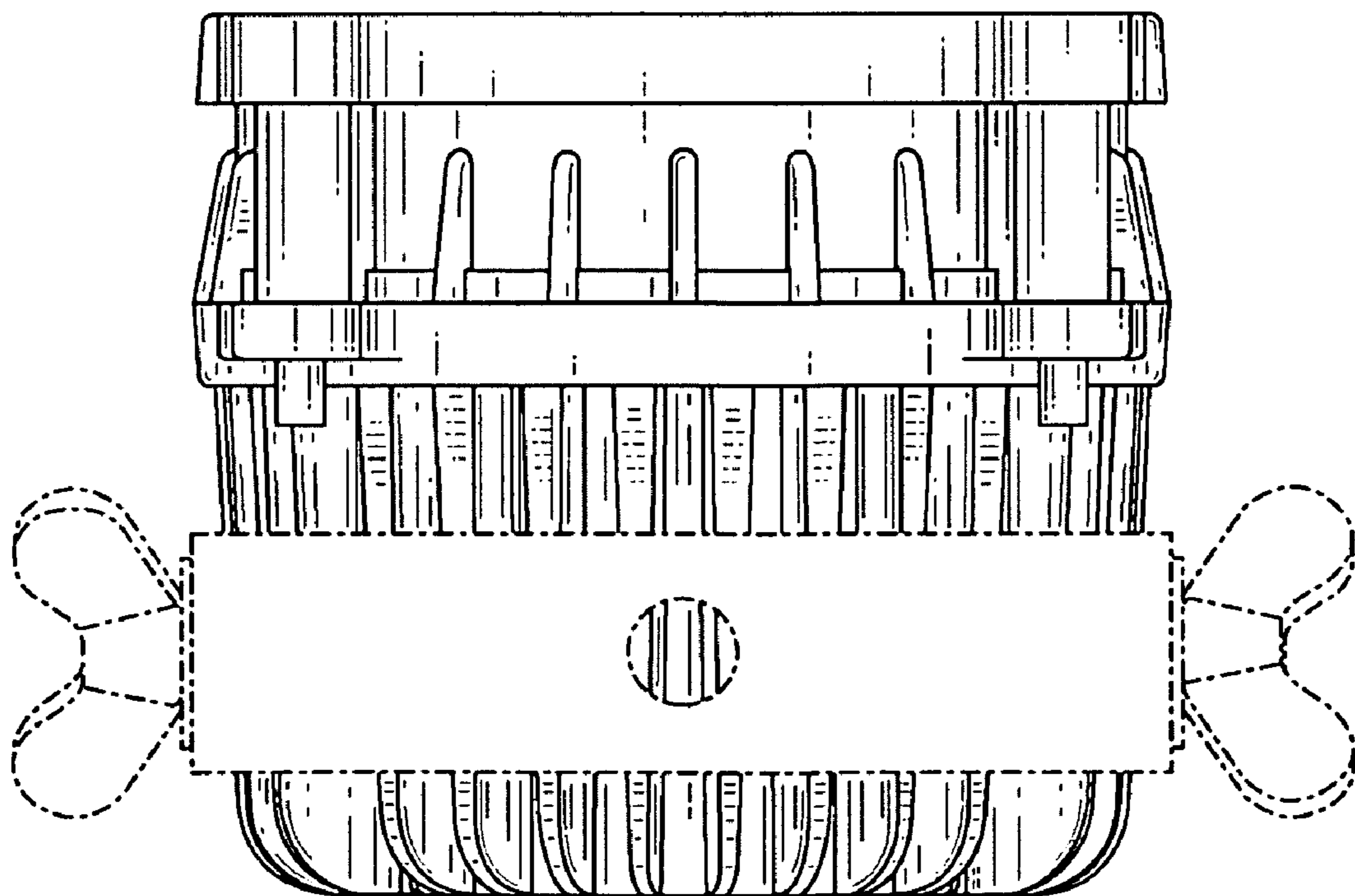


FIG. 7