

US00D587832S

(12) **United States Design Patent**
Bergmann et al.

(10) **Patent No.:** **US D587,832 S**
(45) **Date of Patent:** **** Mar. 3, 2009**

(54) **LED LIGHTING FIXTURE**

(75) Inventors: **Martin Bergmann**, Vienna (AT);
Harald Gründl, Vienna (AT); **Gernot Bohman**, Vienna (AT); **Katharina Goetz-Schaefer**, Bad Salzflen (DE);
Herbert Köck, Balve (DE)

(73) Assignee: **Zumtobel Lighting GmbH & Co. KG**,
Lemgo (DE)

(**) Term: **14 Years**

(21) Appl. No.: **29/265,487**

(22) Filed: **Sep. 1, 2006**

(30) **Foreign Application Priority Data**

Mar. 9, 2006	(EM)	000492137-0001
Mar. 9, 2006	(EM)	000492137-0002
Mar. 9, 2006	(EM)	000492137-0003
Mar. 9, 2006	(EM)	000492137-0004
Mar. 9, 2006	(EM)	000492137-0005
Mar. 9, 2006	(EM)	000492137-0006
Mar. 9, 2006	(EM)	000492137-0007
Mar. 9, 2006	(EM)	000492137-0008

(51) **LOC (9) Cl.** **26-05**

(52) **U.S. Cl.** **D26/63**

(58) **Field of Classification Search** D26/60-66,
D26/72; 362/101, 147, 267, 269, 270, 277,
362/275, 278, 282, 285, 287, 288, 290, 404,
362/410, 413, 418, 419, 427, 428, 429, 430,
362/640, 647, 648, 652, 653, 655

See application file for complete search history.

(56) **References Cited**

U.S. PATENT DOCUMENTS

3,116,022	A	*	12/1963	Davis	362/294
D239,967	S	*	5/1976	Ewing	D26/65
D253,854	S	*	1/1980	Strignano	D26/89
D292,235	S	*	10/1987	Roos	D26/65

D313,866	S	*	1/1991	Brown	D26/61
D316,156	S	*	4/1991	Gecchelin	D26/63
D316,459	S	*	4/1991	Kira	26/68
D318,740	S	*	7/1991	Layne	D26/63
D328,147	S	*	7/1992	Gecchelin	D26/63
D402,384	S	*	12/1998	Chen	D26/63
D414,888	S	*	10/1999	McNatt et al.	D26/63
D415,301	S	*	10/1999	Stacy et al.	D26/63
D420,759	S	*	2/2000	Shuenn-Fa	D26/65
D439,356	S	*	3/2001	Martinson et al.	D26/63
D442,717	S	*	5/2001	Binsukor	D26/63

(Continued)

Primary Examiner—Cathron C Brooks

Assistant Examiner—Barbara Fox

(74) *Attorney, Agent, or Firm*—Marshall, Gerstein & Borun LLP

(57) **CLAIM**

The ornamental design for a LED lighting fixture, as shown and described.

DESCRIPTION

FIG. 1 is a perspective view of an LED lighting fixture that shows the new design, with part of the fixture in a rotated position.

FIG. 2 is a perspective view of the fixture, with the part of the fixture in an alternate rotated position.

FIG. 3 is an end view of the fixture, with the part of the fixture in an upright position.

FIG. 4 is a view opposite that of FIG. 3.

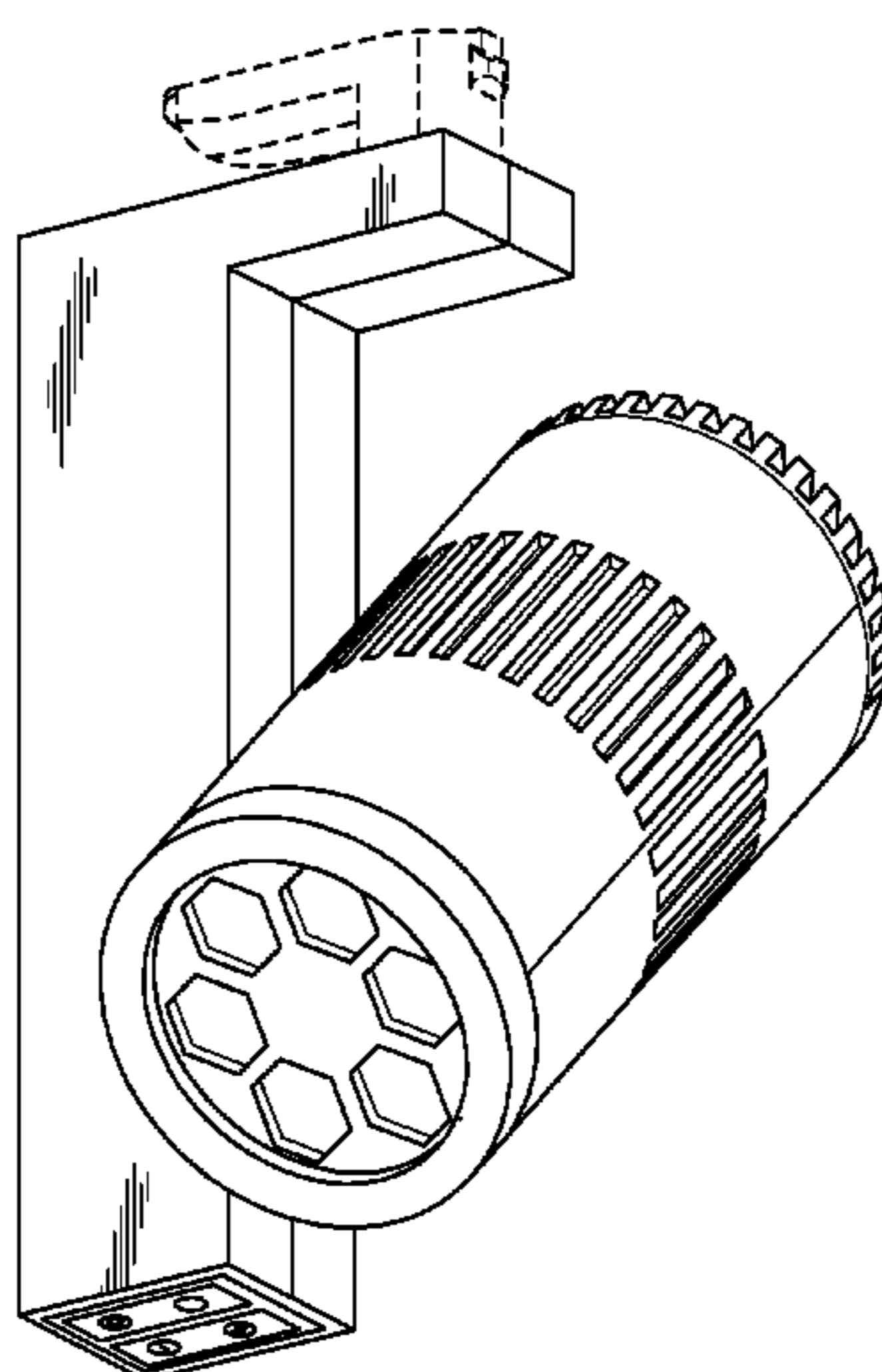
FIG. 5 is a side view thereof.

FIG. 6 is another side view, showing the side seen on the left side of FIG. 5; and,

FIG. 7 is another side view, showing the side seen on the right side of FIG. 5.

The broken line showing top elements of the fixture is for the purpose of illustrating portions of the LED lighting fixture and forms no part of the claimed design.

1 Claim, 4 Drawing Sheets



US D587,832 S

Page 2

U.S. PATENT DOCUMENTS

D444,900 S *	7/2001	Stanway et al.	D26/72	D491,684 S *	6/2004	McInnis	D26/63
D457,977 S *	5/2002	Mier-Langner et al.	D26/63	6,744,693 B2 *	6/2004	Brockmann et al.	362/321
D459,514 S *	6/2002	Mier-Langner et al.	D26/63	7,021,802 B1 *	4/2006	Wyatt	362/477
D486,259 S *	2/2004	Crawford et al.	D26/51	D538,959 S *	3/2007	Kosche	D26/63
D488,878 S *	4/2004	Ward	D26/63	D541,456 S *	4/2007	Kosche	D26/63
6,739,740 B1 *	5/2004	Feldman	362/404	D552,284 S *	10/2007	Kosche et al.	D26/63

* cited by examiner

FIG. 1

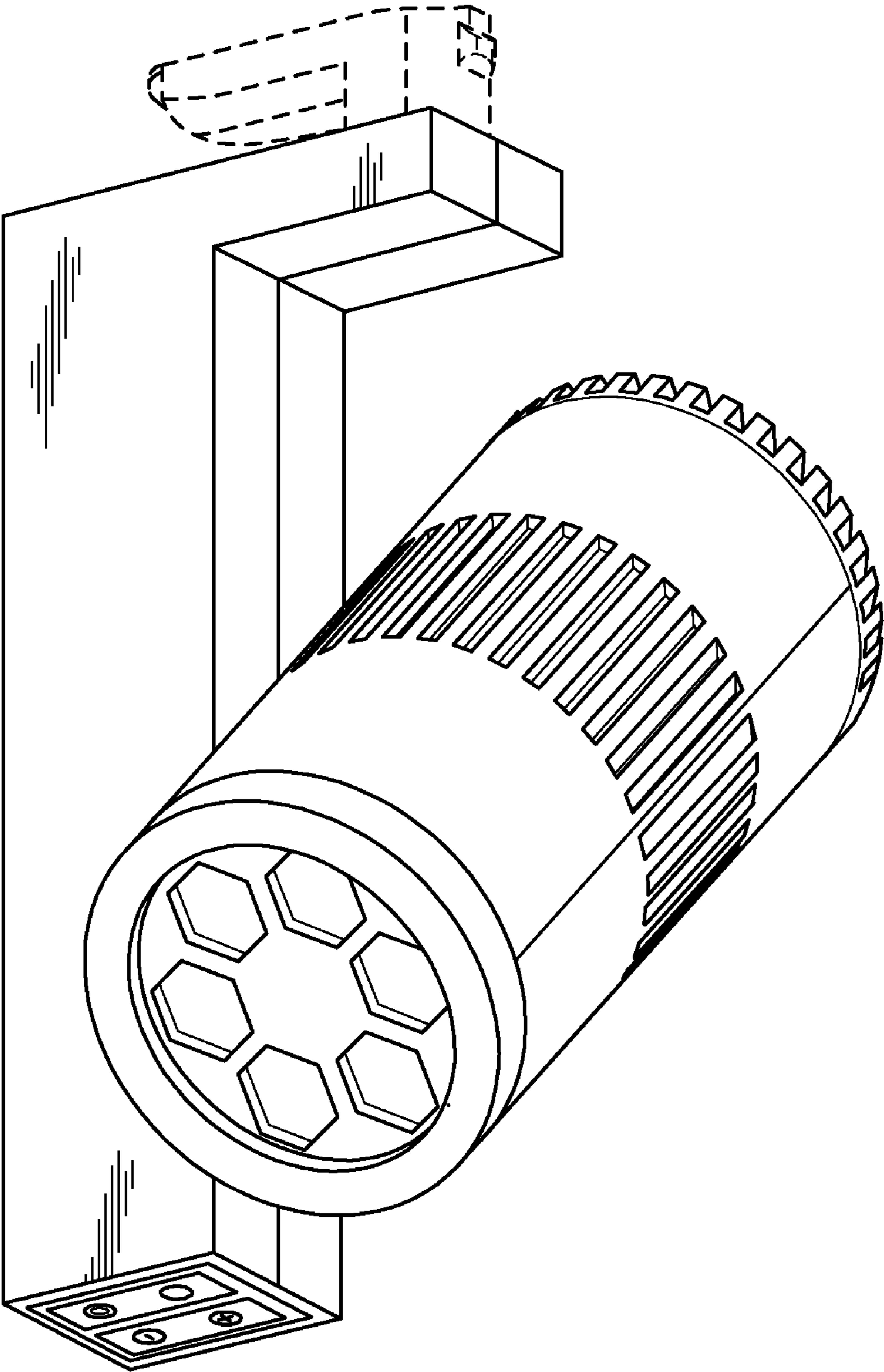


FIG. 2

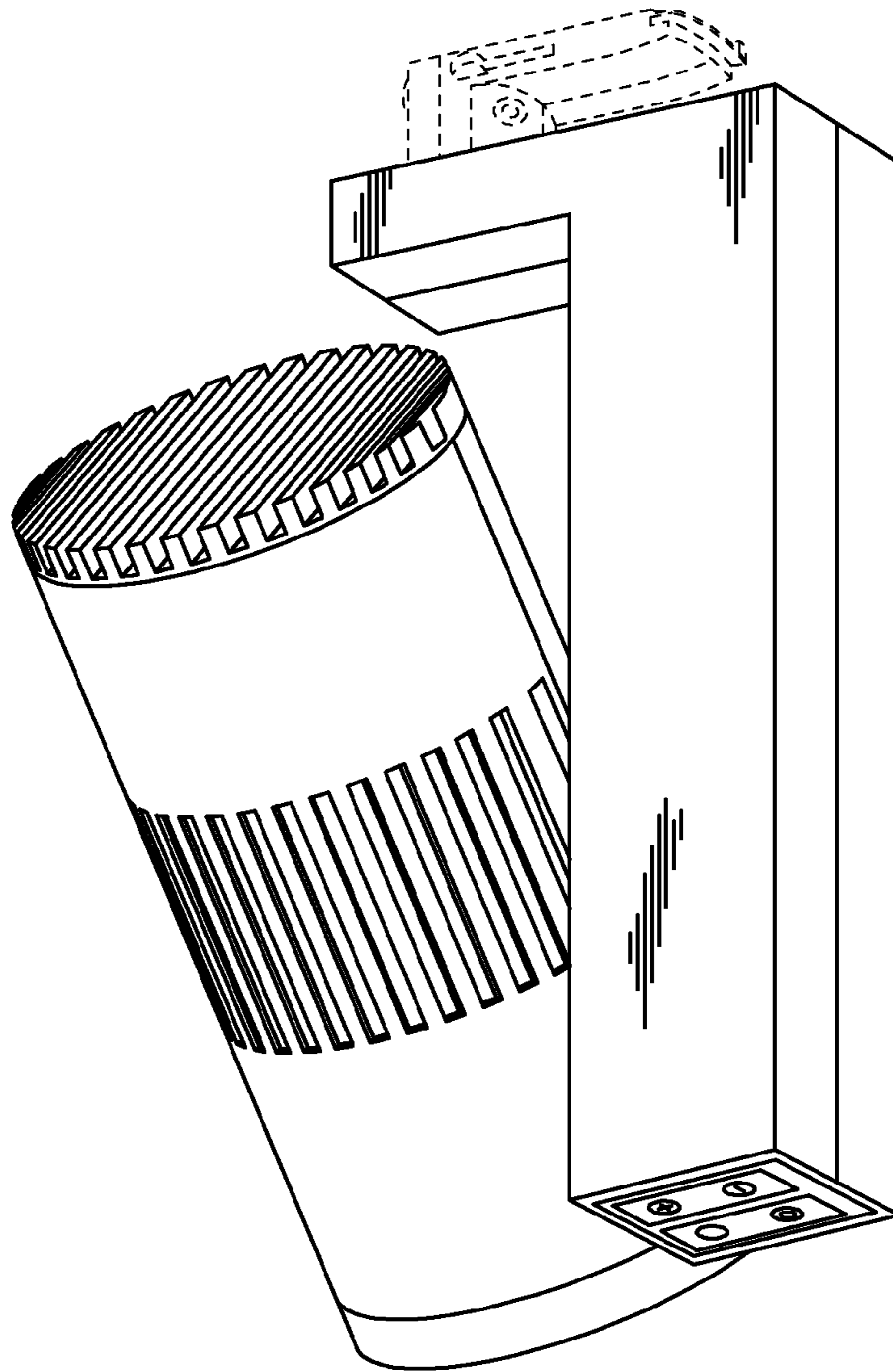


FIG. 3

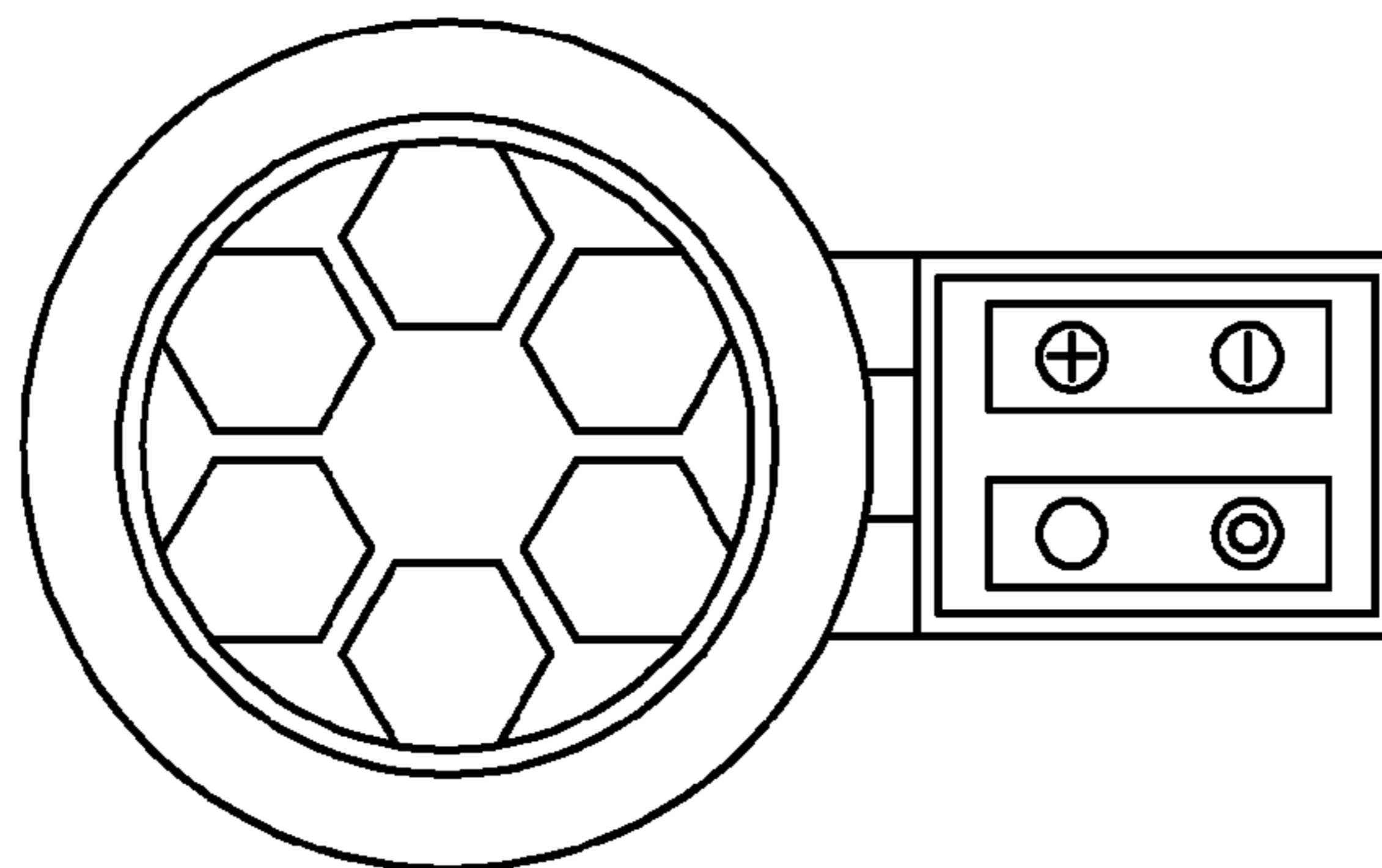


FIG. 4

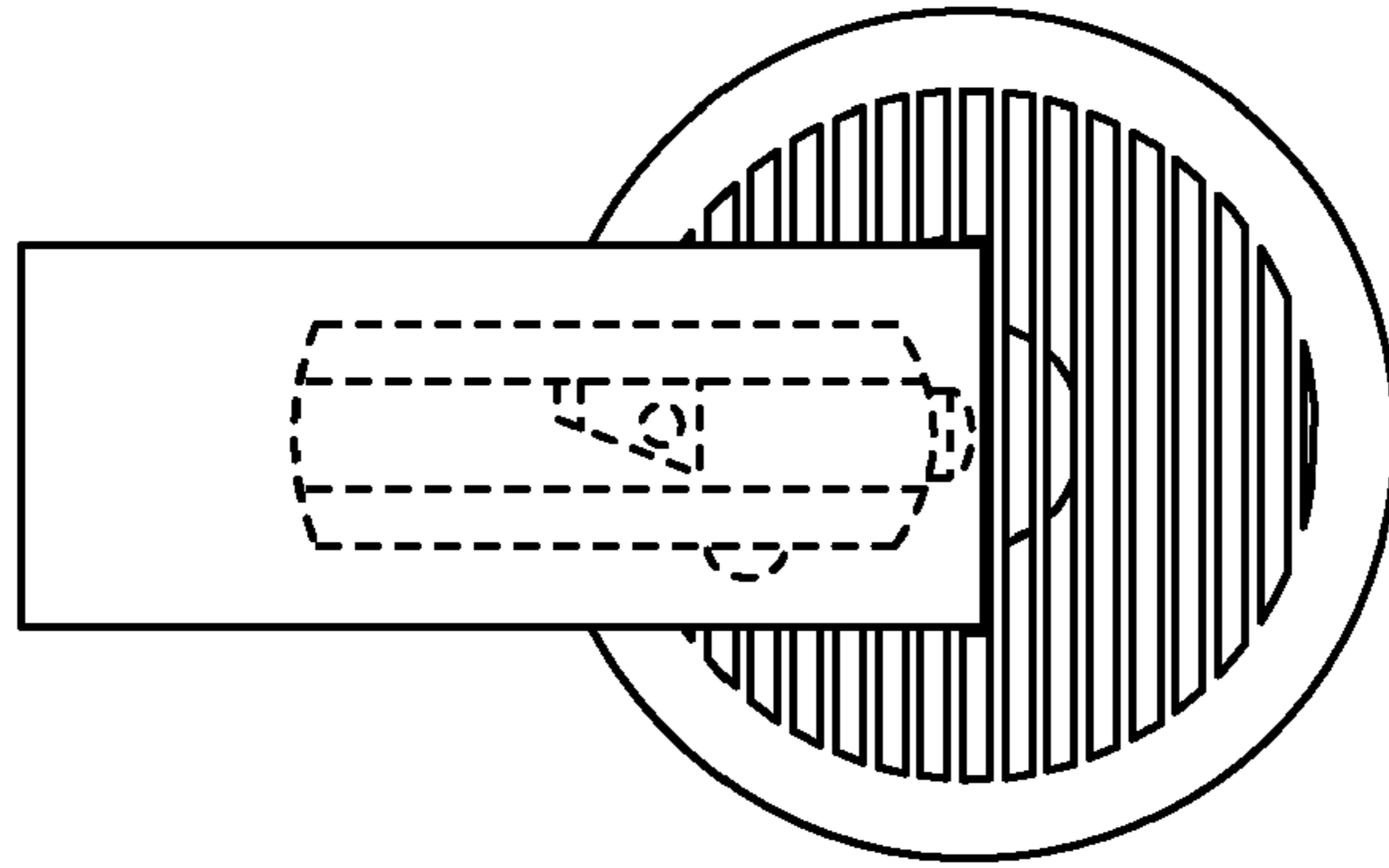


FIG. 5

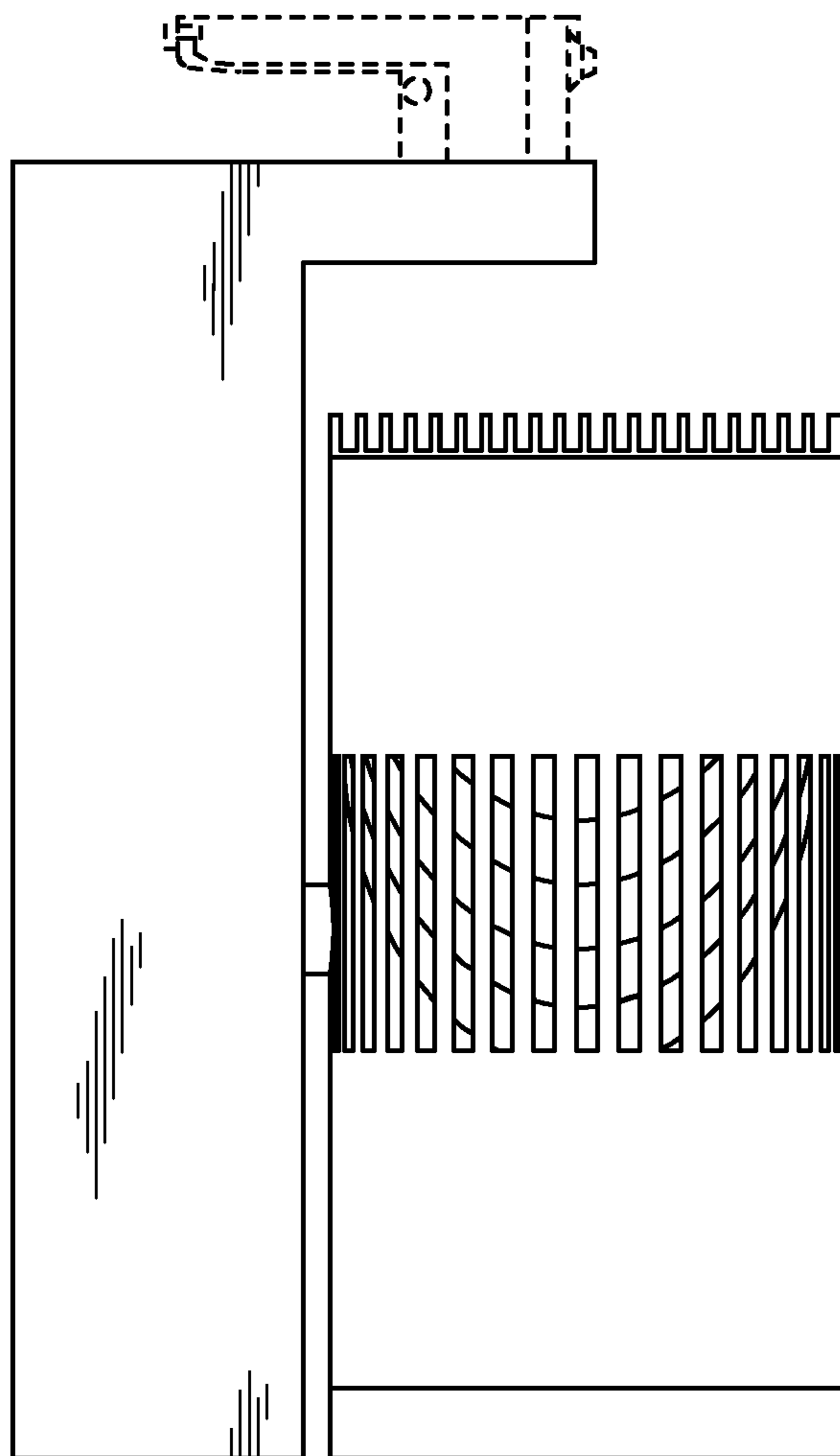


FIG. 6

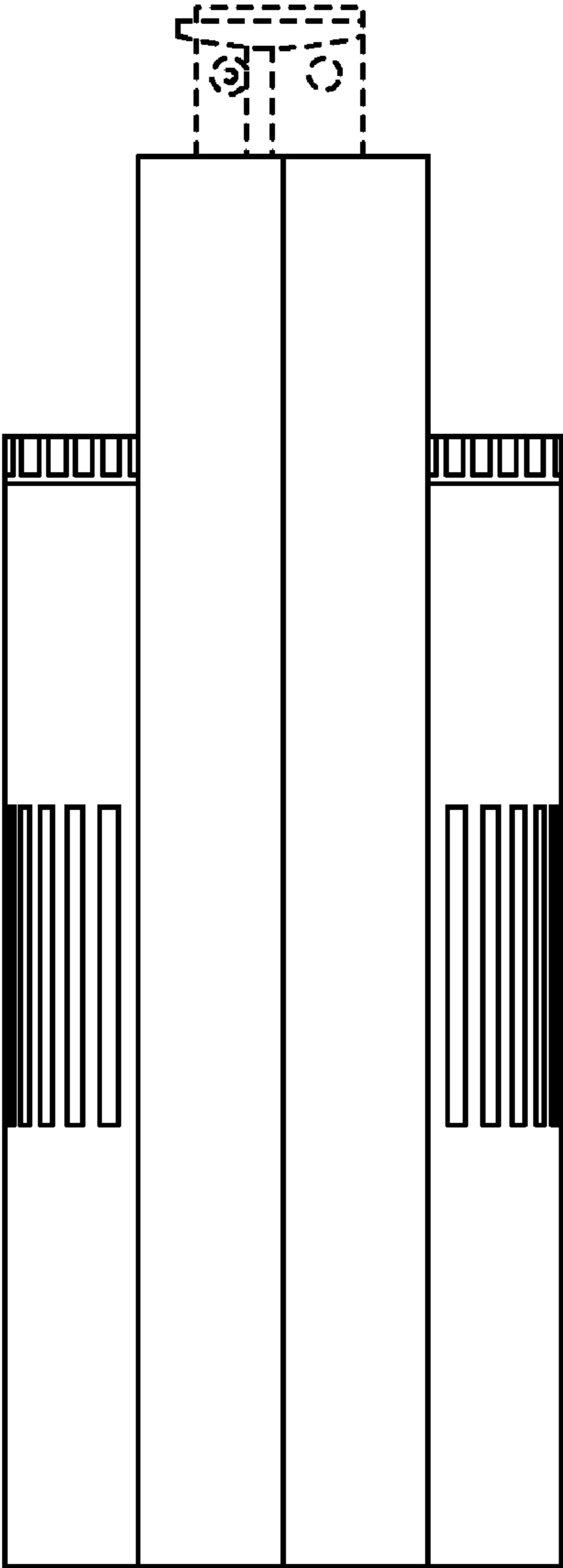


FIG. 7

