



US00D587831S

(12) **United States Design Patent**  
**Moser**

(10) **Patent No.:** **US D587,831 S**  
(45) **Date of Patent:** **\*\* Mar. 3, 2009**

(54) **FOCUSING HAND HELD LAMP**

(76) Inventor: **John Moser**, 5239 E. Waltann La.,  
Scottsdale, AZ (US) 85254

(\*\*) Term: **14 Years**

(21) Appl. No.: **29/281,208**

(22) Filed: **Jun. 18, 2007**

(51) **LOC (9) Cl.** ..... **26-02**

(52) **U.S. Cl.** ..... **D26/45**

(58) **Field of Classification Search** ..... D26/24,  
D26/37, 45, 50; 362/157, 159, 192, 196  
See application file for complete search history.

(56) **References Cited**

U.S. PATENT DOCUMENTS

4,814,957 A *	3/1989	Dennis	.....	362/187
D311,778 S *	10/1990	Dennis	.....	D26/45
D556,352 S *	11/2007	Moser	.....	D26/45
D563,578 S *	3/2008	Moser	.....	D26/45

\* cited by examiner

*Primary Examiner*—Charles A Rademaker

*Assistant Examiner*—Dana L Sipos

(74) *Attorney, Agent, or Firm*—Feldman Gale, P.A.; Michael  
C. Cesarano

(57) **CLAIM**

I claim the ornamental design for a focusing hand held lamp,  
as shown and described.

**DESCRIPTION**

FIG. 1 is a front elevational view of the focusing hand held  
lamp.

FIG. 2 is a right elevational view of the focusing hand held  
lamp.

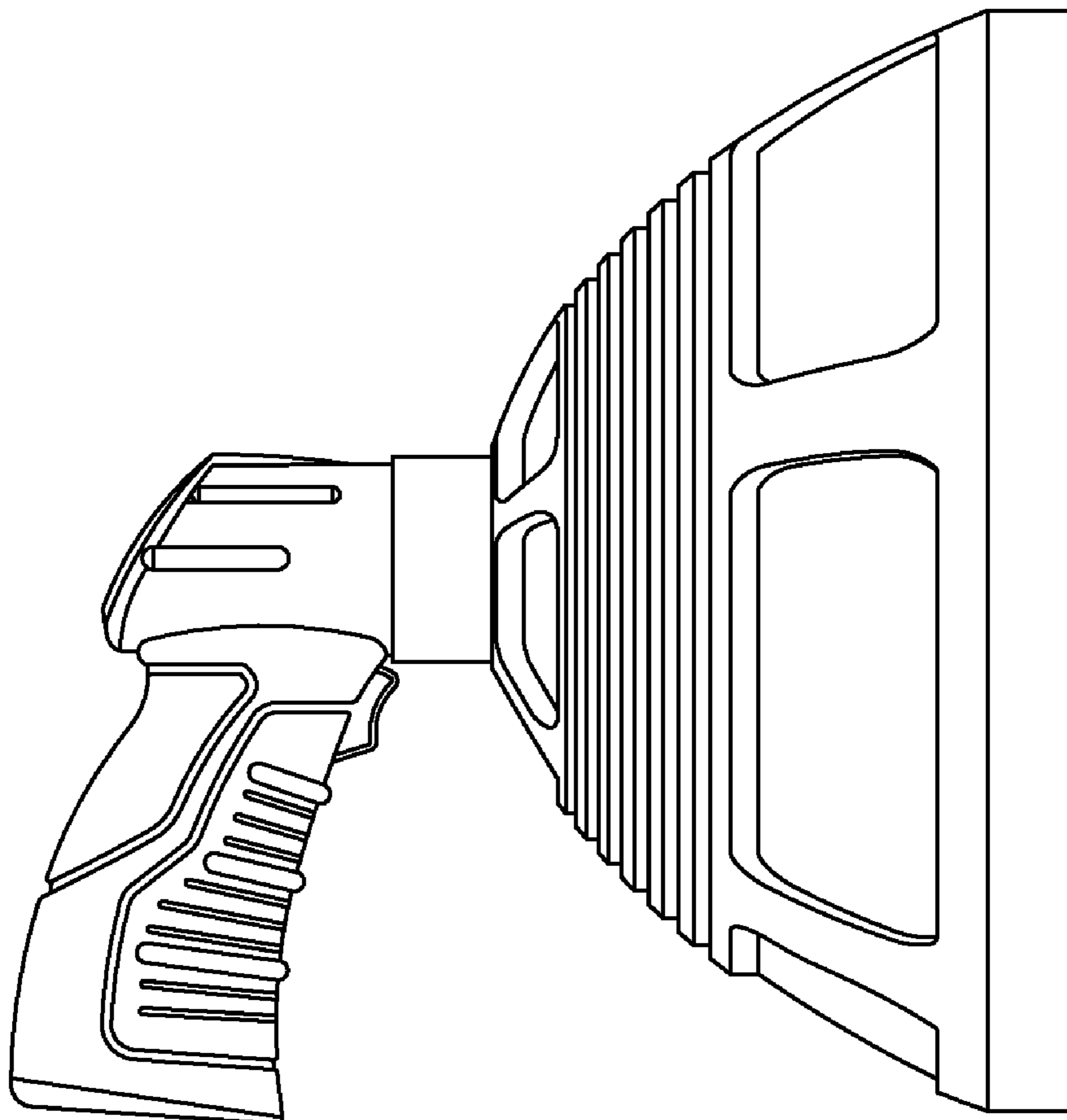
FIG. 3 is a left elevational view of the focusing hand held  
lamp.

FIG. 4 is a rear elevational view of the focusing hand held  
lamp.

FIG. 5 is a top plan view of the focusing hand held lamp; and,

FIG. 6 is a bottom view of the focusing hand held lamp.

**1 Claim, 3 Drawing Sheets**



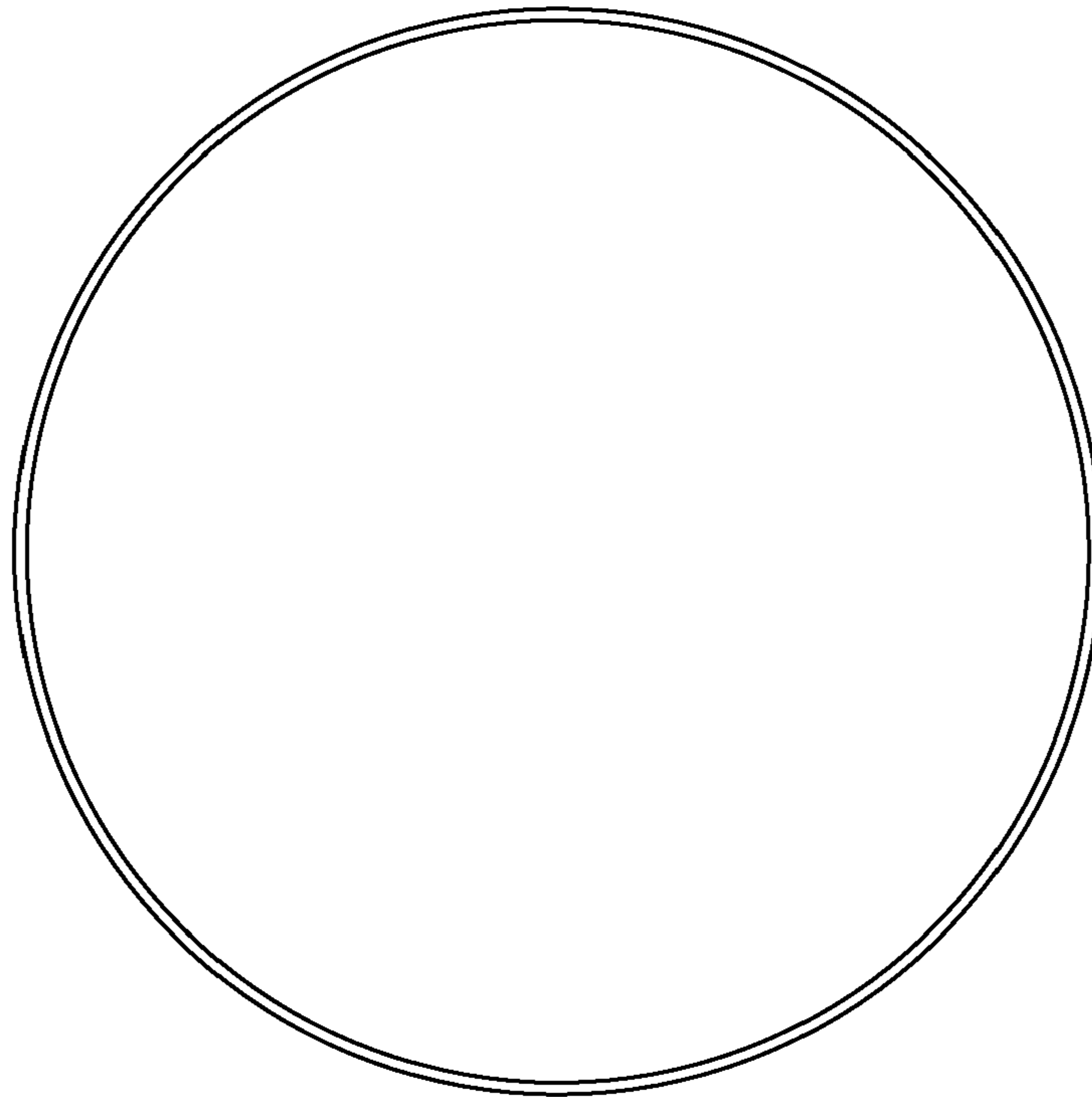


FIG. 1

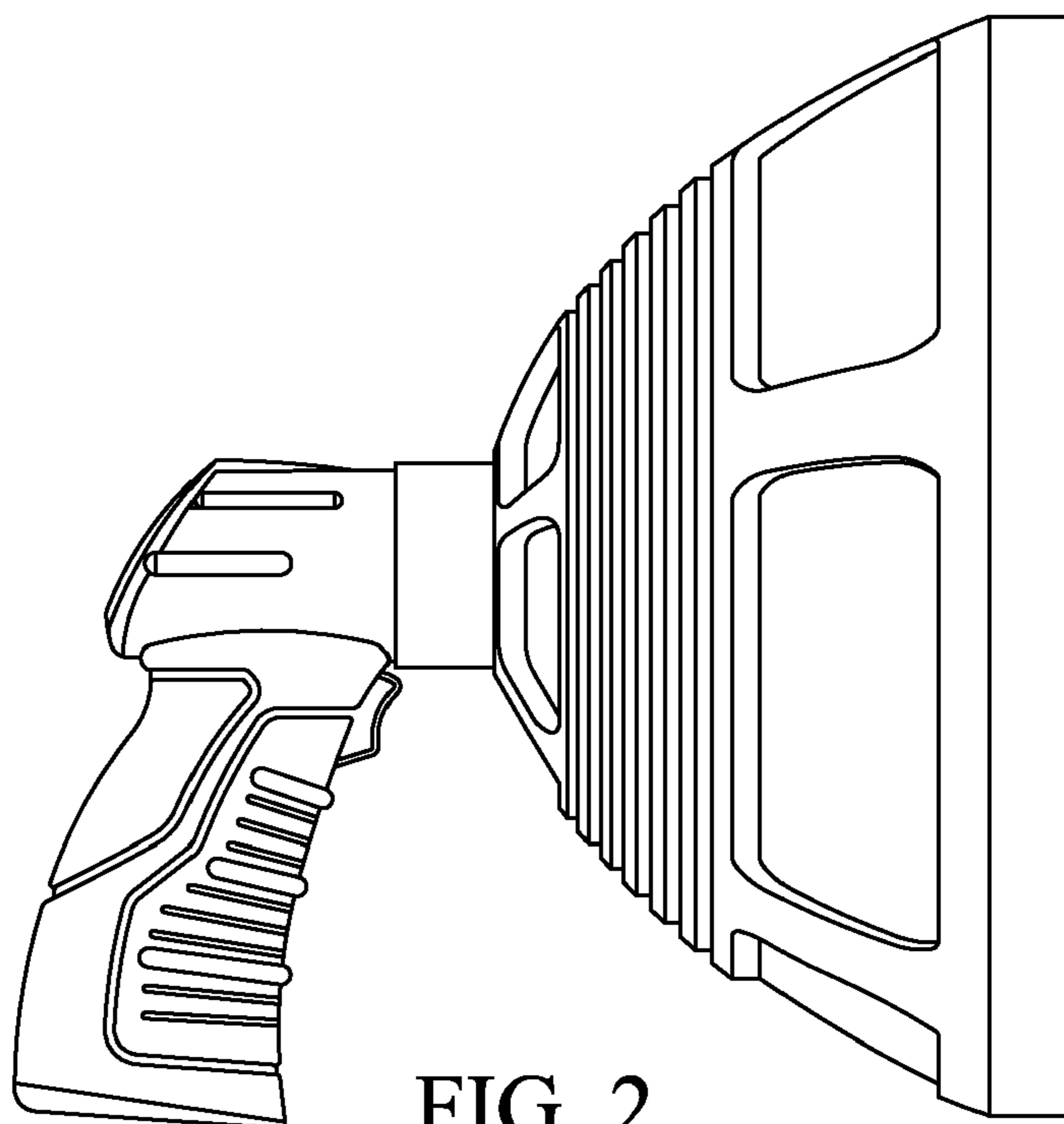


FIG. 2

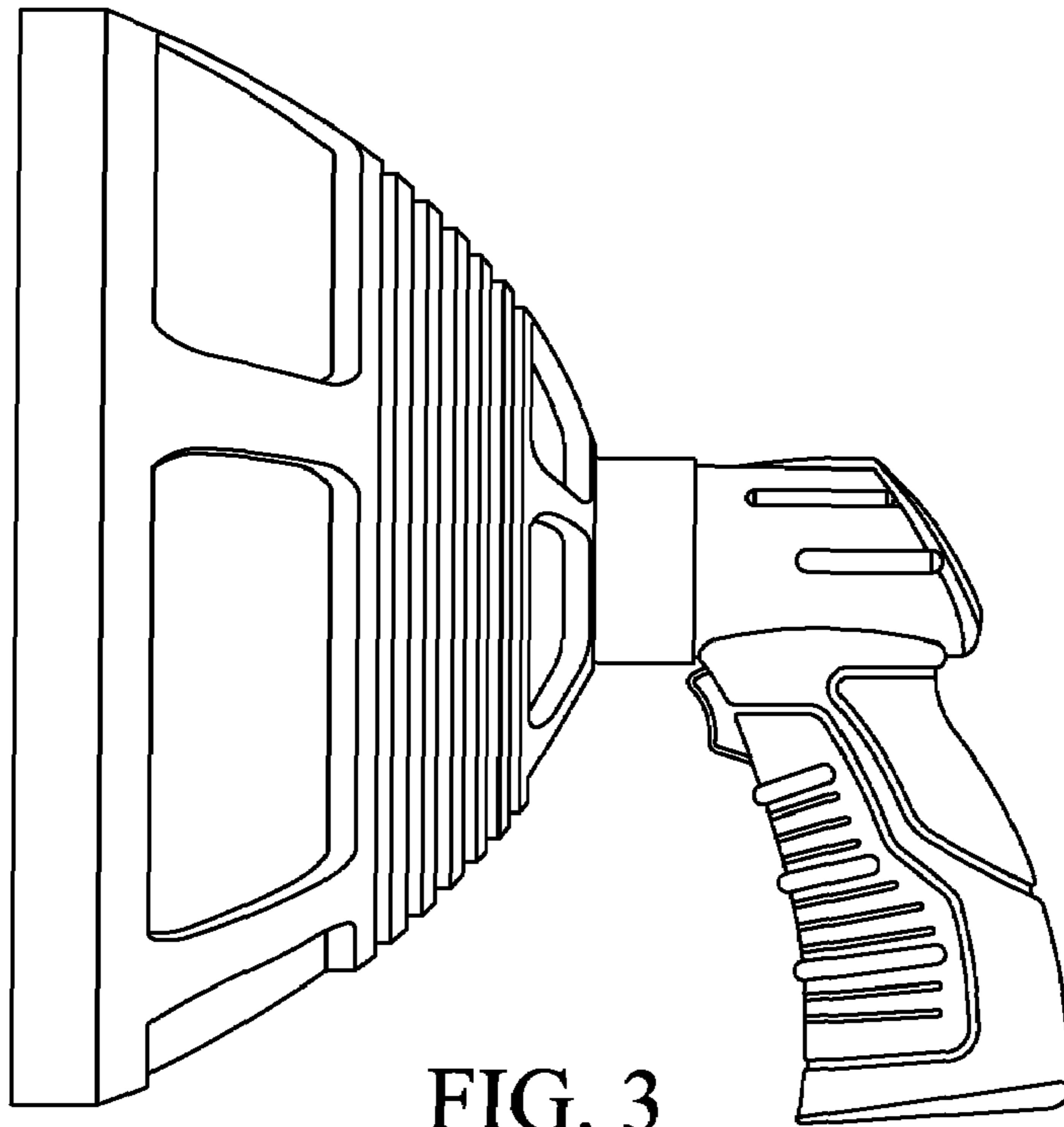


FIG. 3

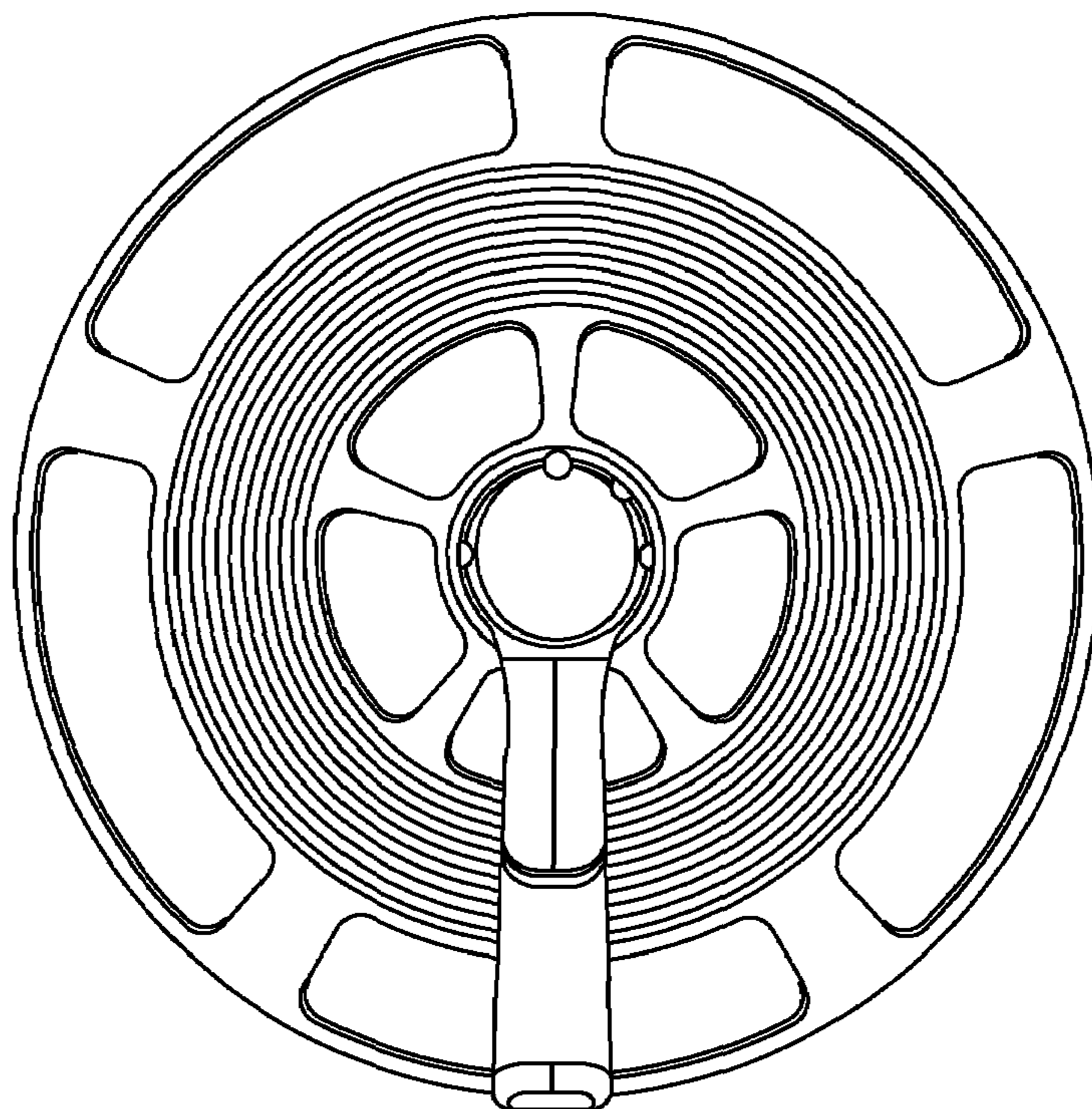


FIG. 4

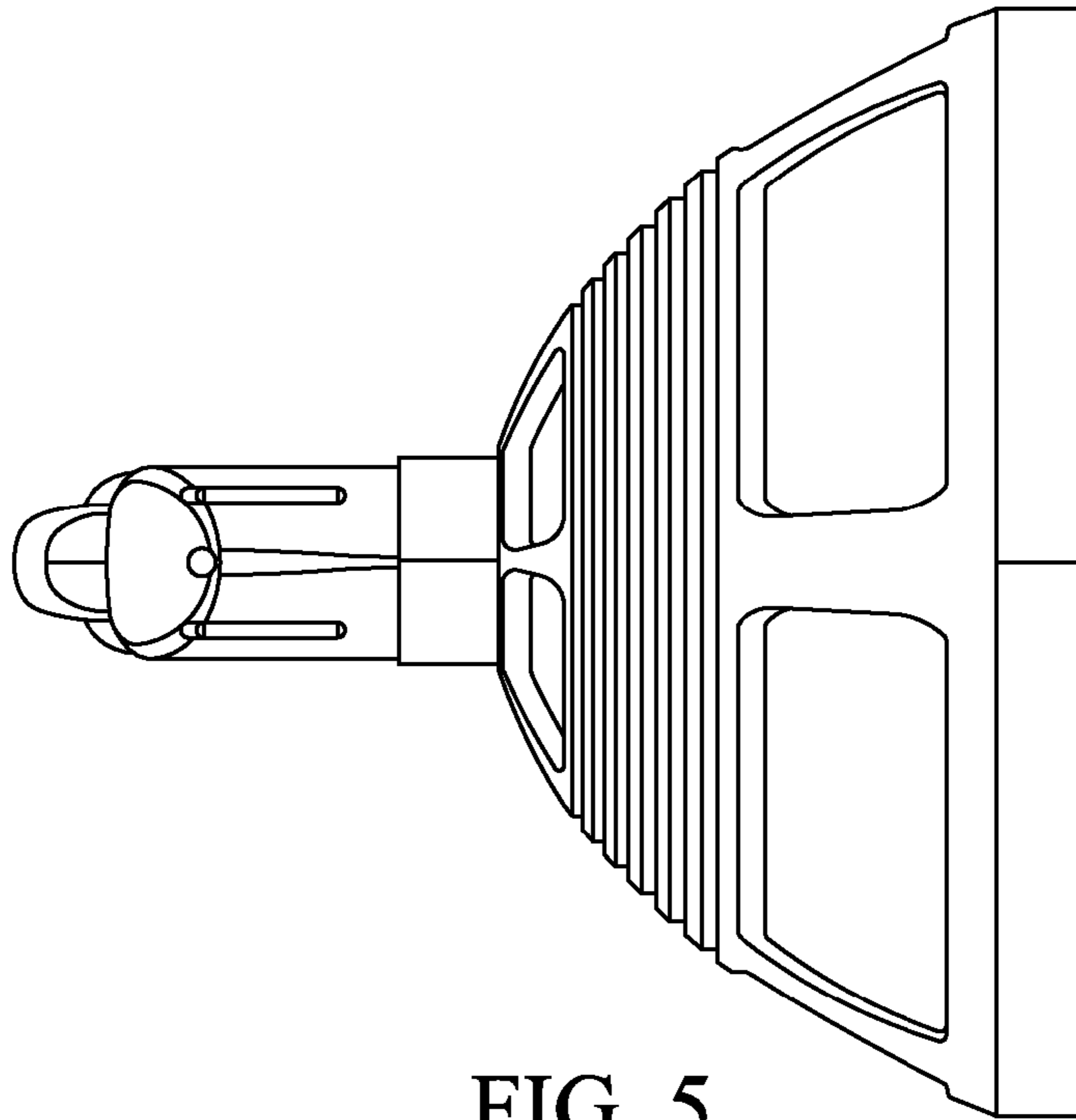


FIG. 5

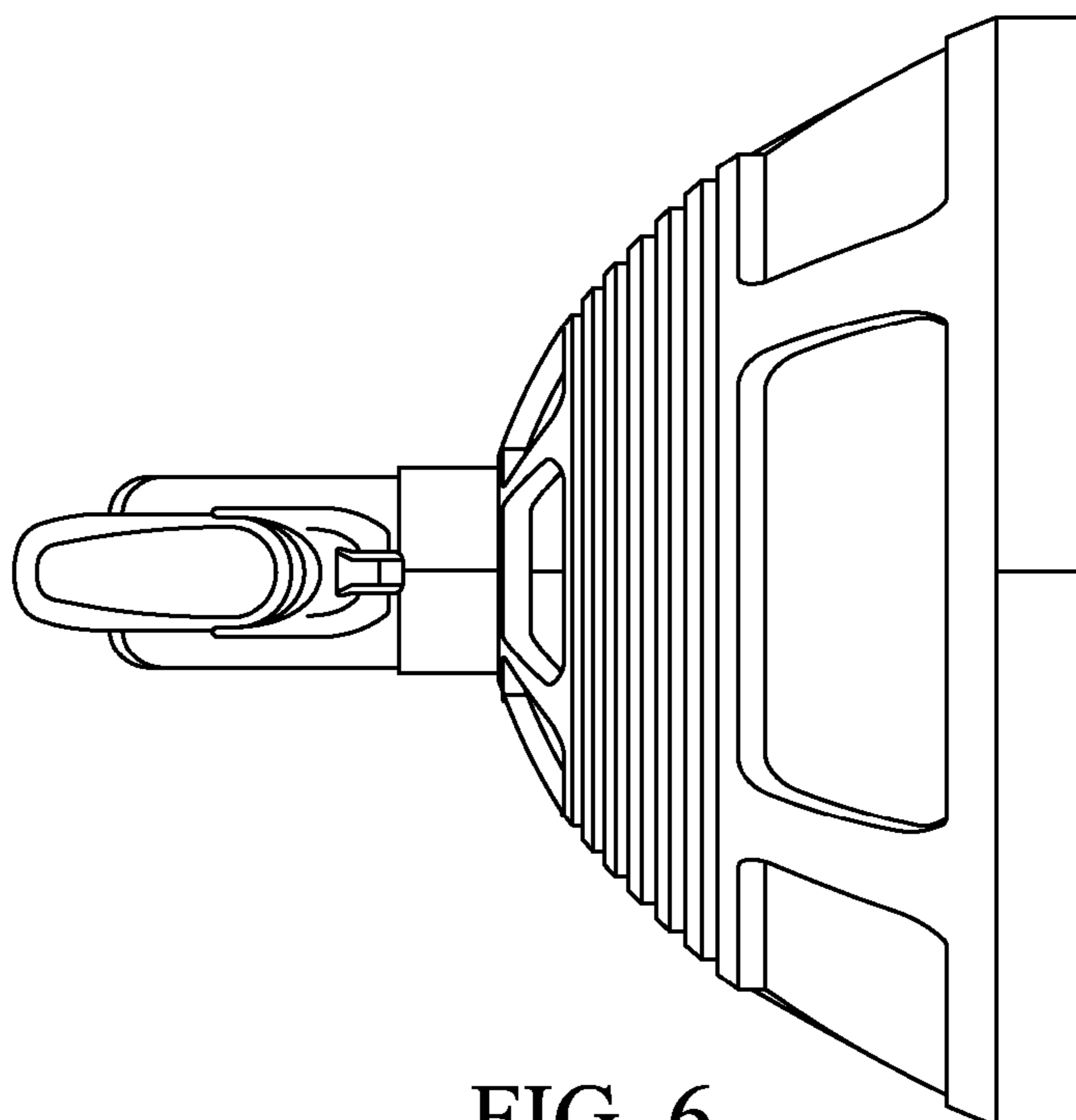


FIG. 6