



US00D587830S

(12) **United States Design Patent**
Ma

(10) **Patent No.:** **US D587,830 S**
(45) **Date of Patent:** **** Mar. 3, 2009**

(54) **LIGHTING DEVICE**

(75) Inventor: **Lai King Ma**, Fanling (HK)

(73) Assignee: **Eveready Battery Company, Inc.**, St. Louis, MI (US)

(**) Term: **14 Years**

(21) Appl. No.: **29/308,325**

(22) Filed: **Jun. 10, 2008**

(30) **Foreign Application Priority Data**

Dec. 10, 2007 (CN) 2007 3 0286509

(51) **LOC (9) Cl.** **26-02**

(52) **U.S. Cl.** **D26/37**

(58) **Field of Classification Search** D26/37,
D26/39, 46, 48, 49, 50; 362/157, 158, 183,
362/184, 195, 196, 200, 201, 203–208
See application file for complete search history.

(56) **References Cited**

U.S. PATENT DOCUMENTS

- D299,173 S * 12/1988 Powell et al. D26/37
- D435,675 S * 12/2000 Sinclair D26/37
- D436,195 S * 1/2001 Au-Yeung D26/37
- D453,580 S * 2/2002 Lynch et al. D26/46
- D470,959 S * 2/2003 Lai D26/37
- D475,149 S * 5/2003 Chun D26/37

- D477,432 S * 7/2003 Parsons D26/37
- D518,584 S * 4/2006 Chan D26/37
- D537,182 S * 2/2007 Chou D26/37
- D539,951 S * 4/2007 Qui D26/37
- D571,941 S * 6/2008 Lee D26/37

* cited by examiner

Primary Examiner—Ian Simmons

Assistant Examiner—Carissa C Fitts

(74) *Attorney, Agent, or Firm*—Gregory J. Adams

(57) **CLAIM**

We claim the ornamental design for a lighting device, as shown and described.

DESCRIPTION

FIG. 1 is a front right perspective view of a lighting device showing our new design;

FIG. 2 is a front view thereof;

FIG. 3 is a rear view thereof;

FIG. 4 is a right side view thereof;

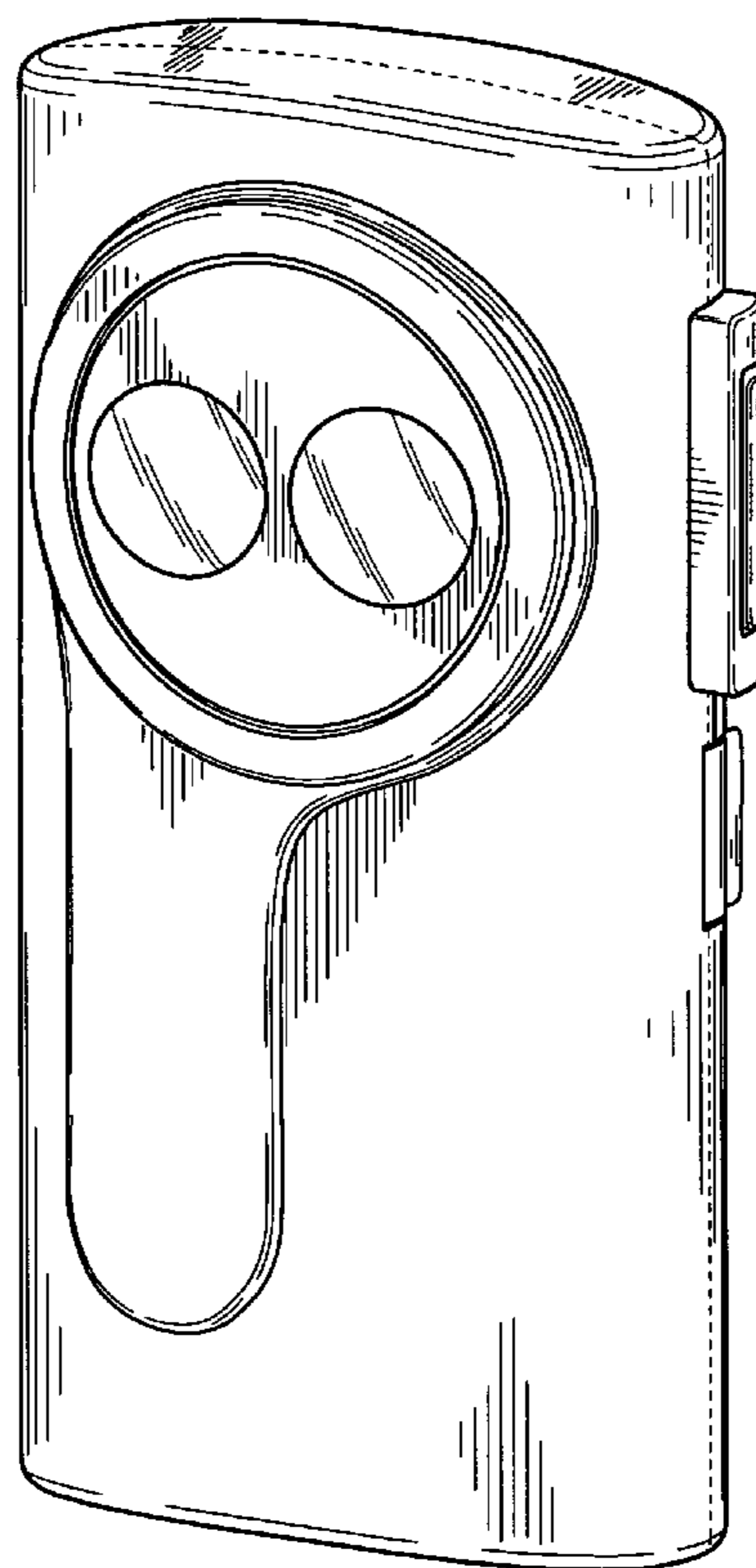
FIG. 5 is a left side view thereof;

FIG. 6 is a top view thereof; and,

FIG. 7 is a bottom view thereof.

Any broken line(s) shown are for illustrative purposes only and form no part of the claimed design.

1 Claim, 5 Drawing Sheets



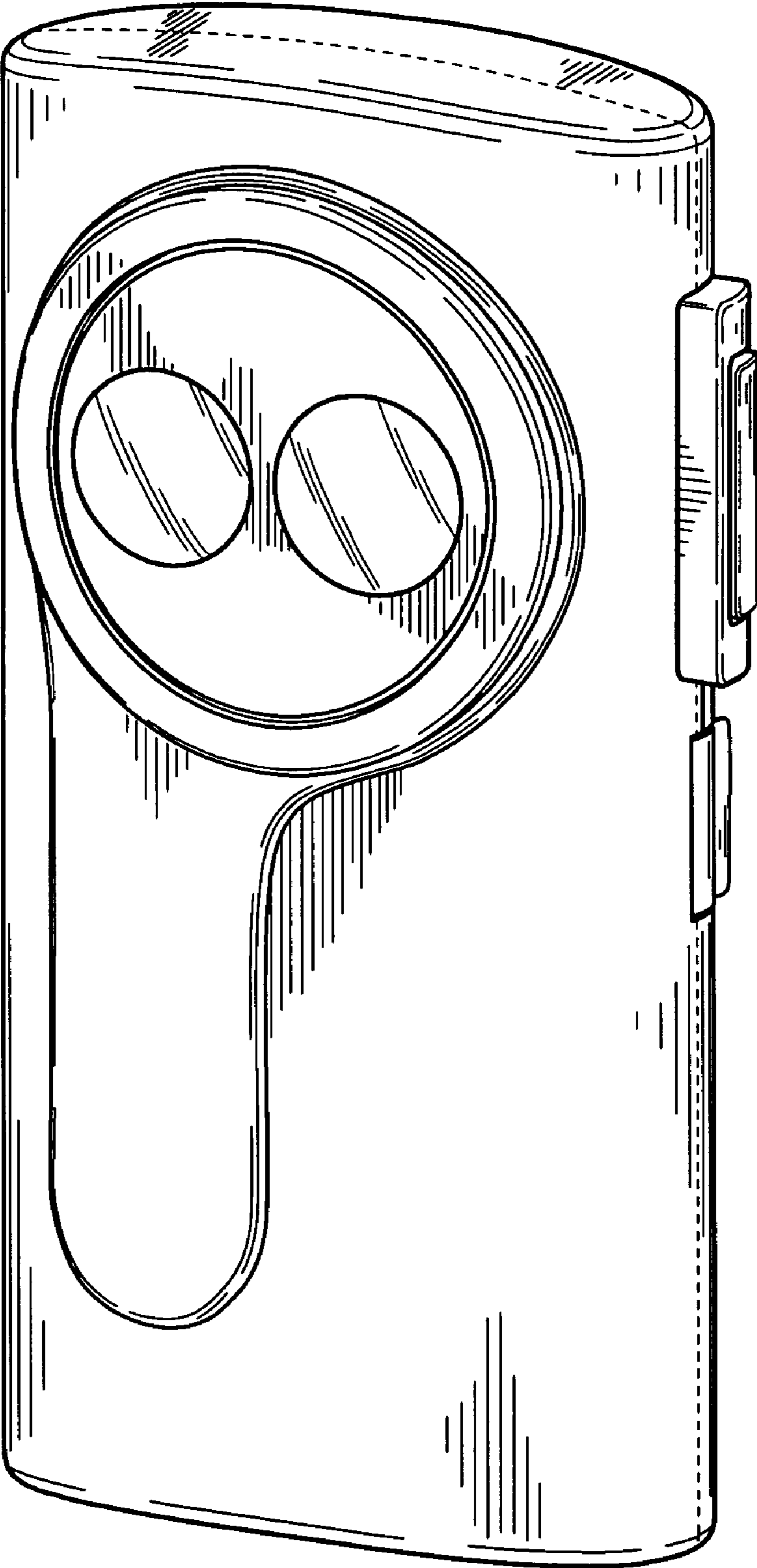


Fig. 1

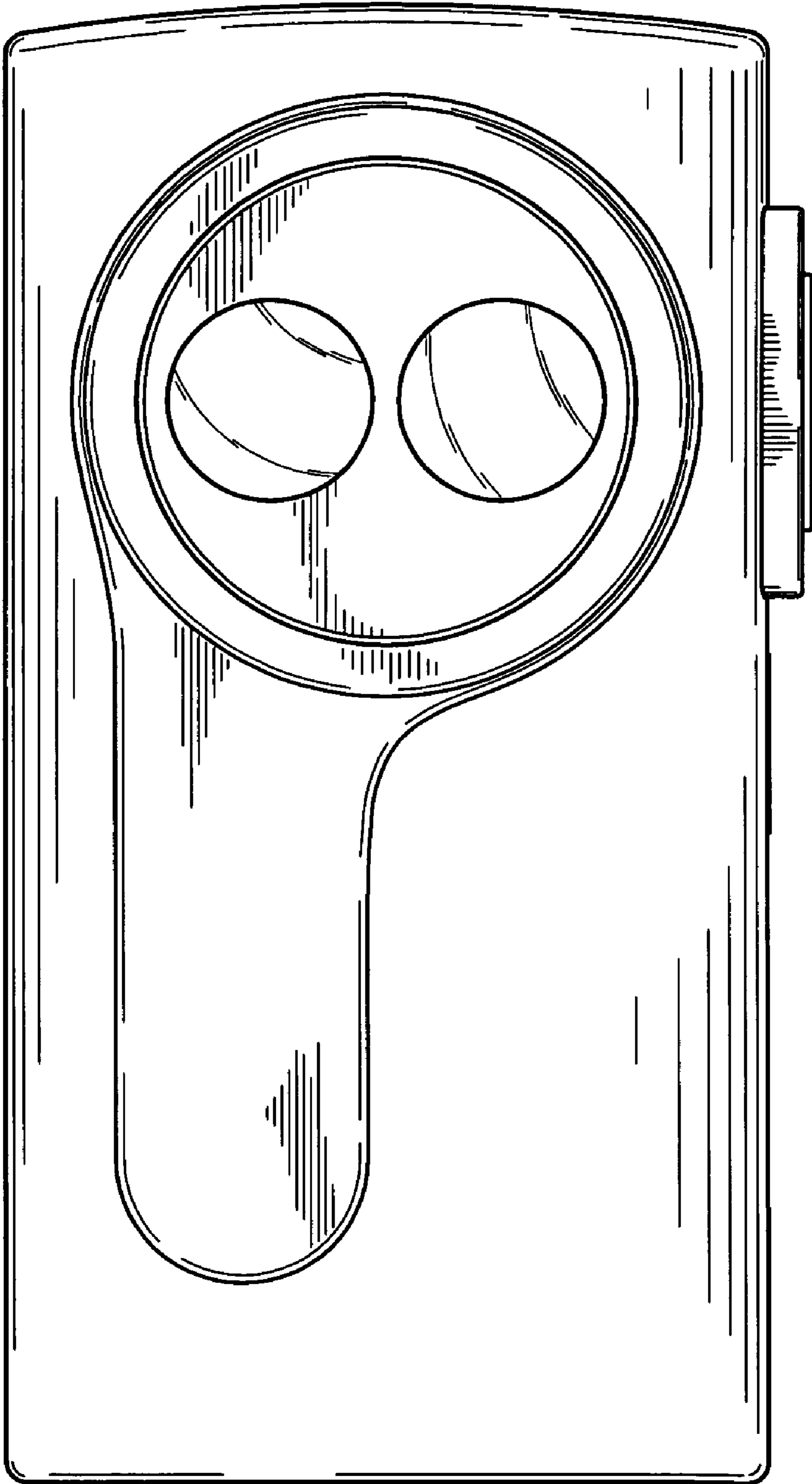


Fig. 2

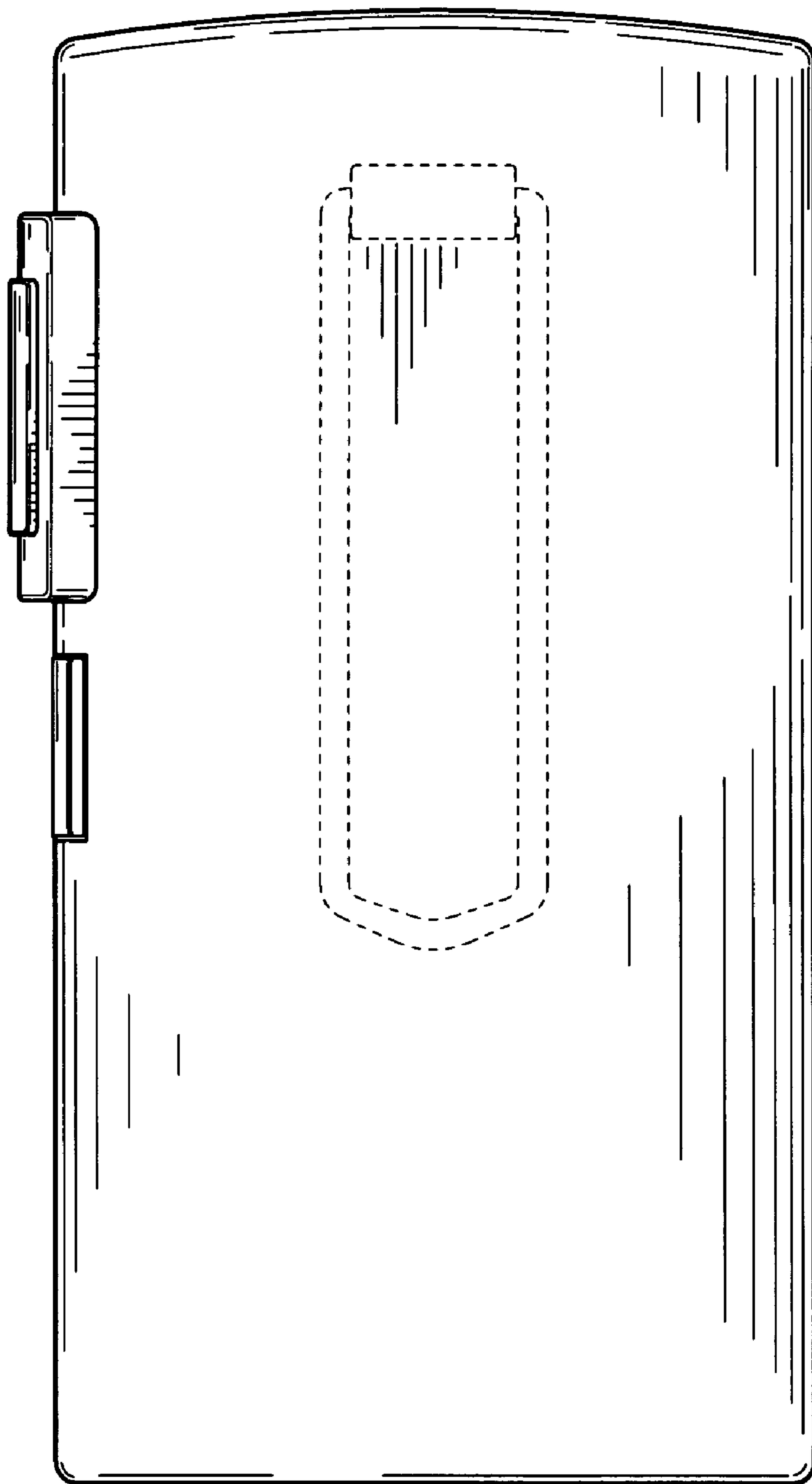


Fig. 3

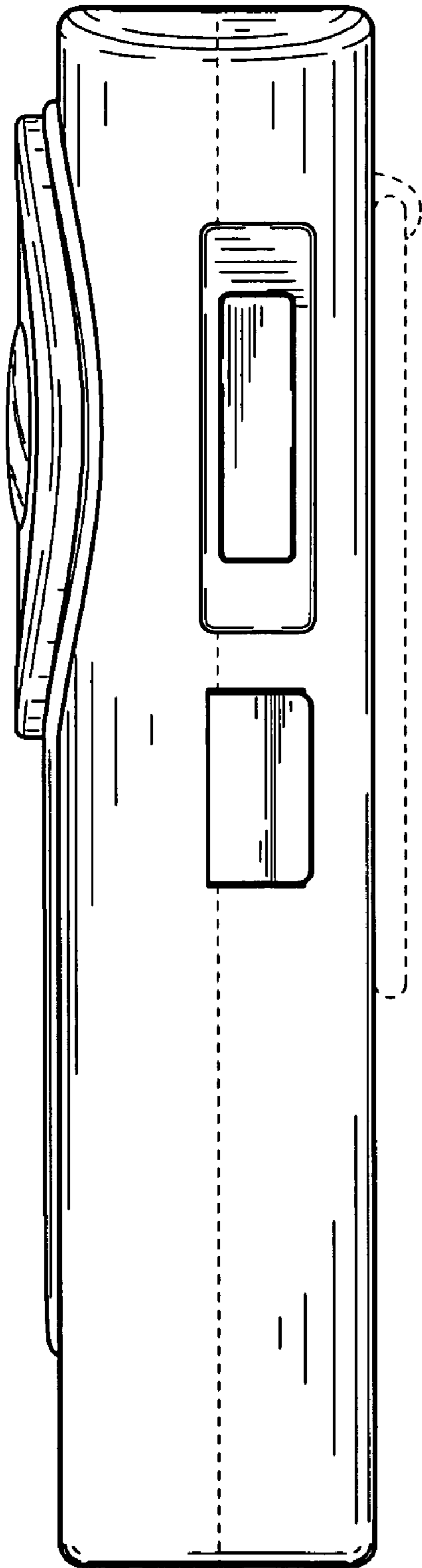


Fig. 4

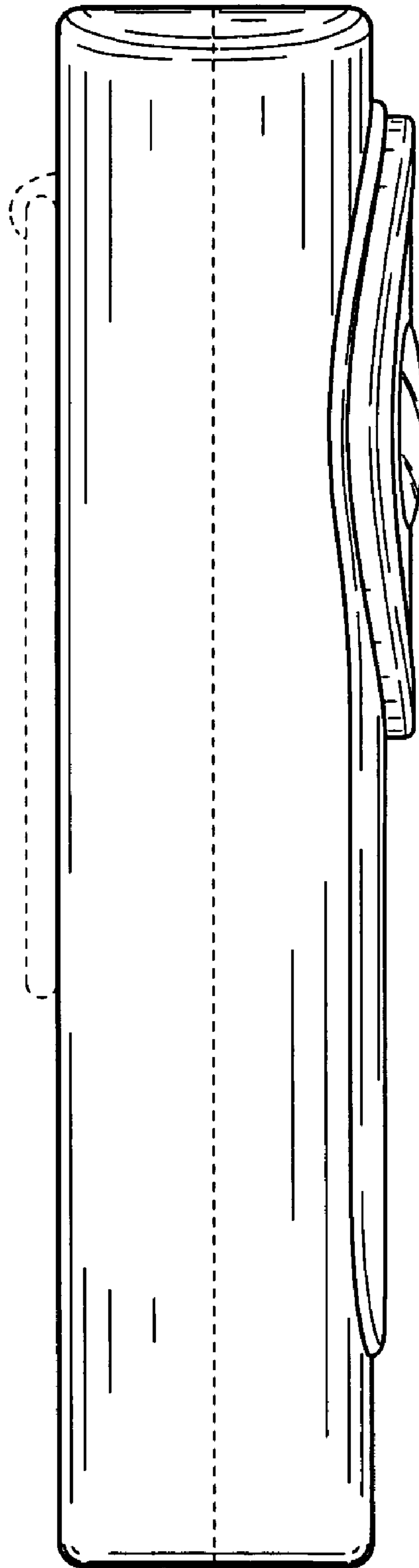


Fig. 5

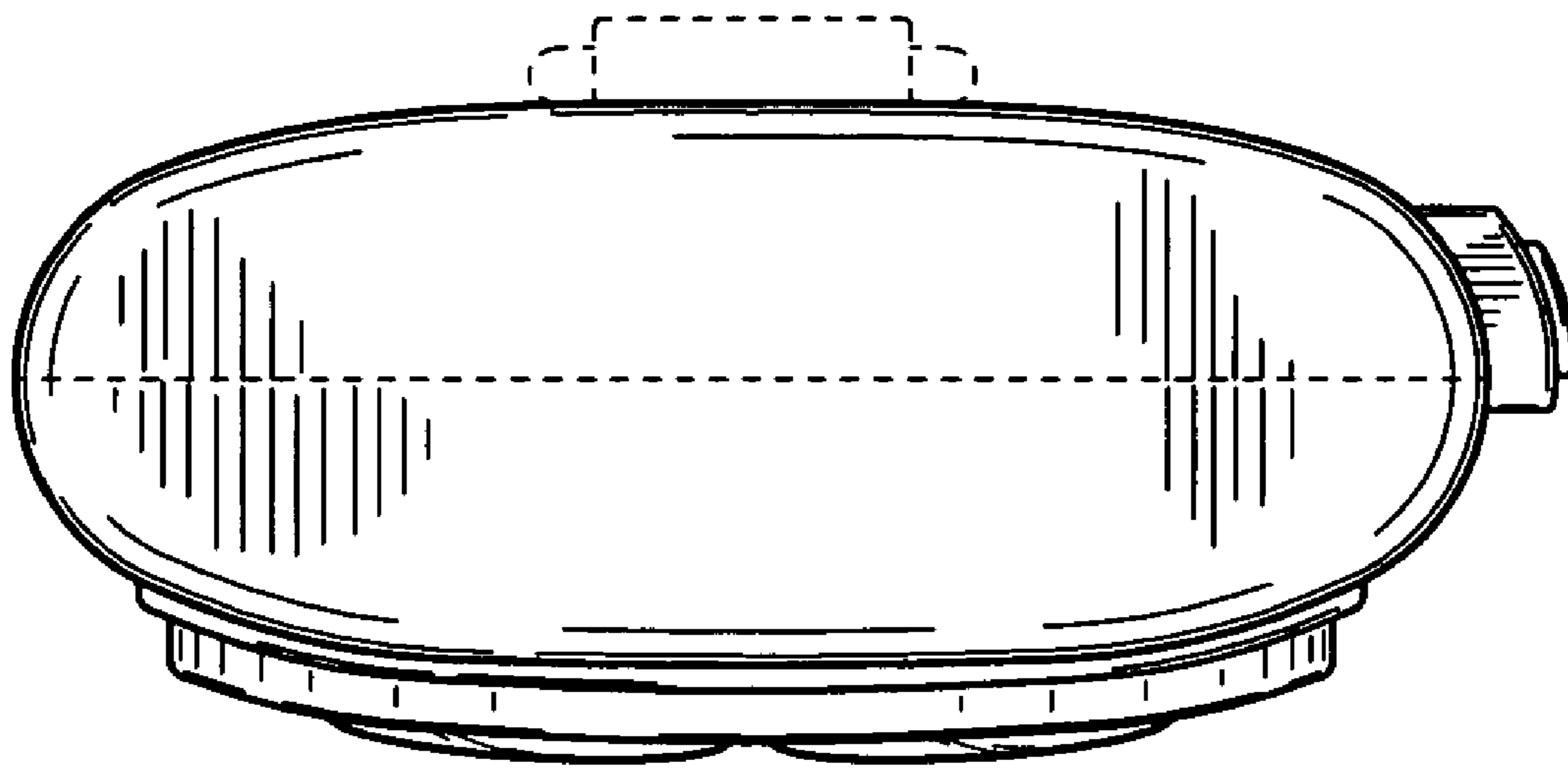


Fig. 6

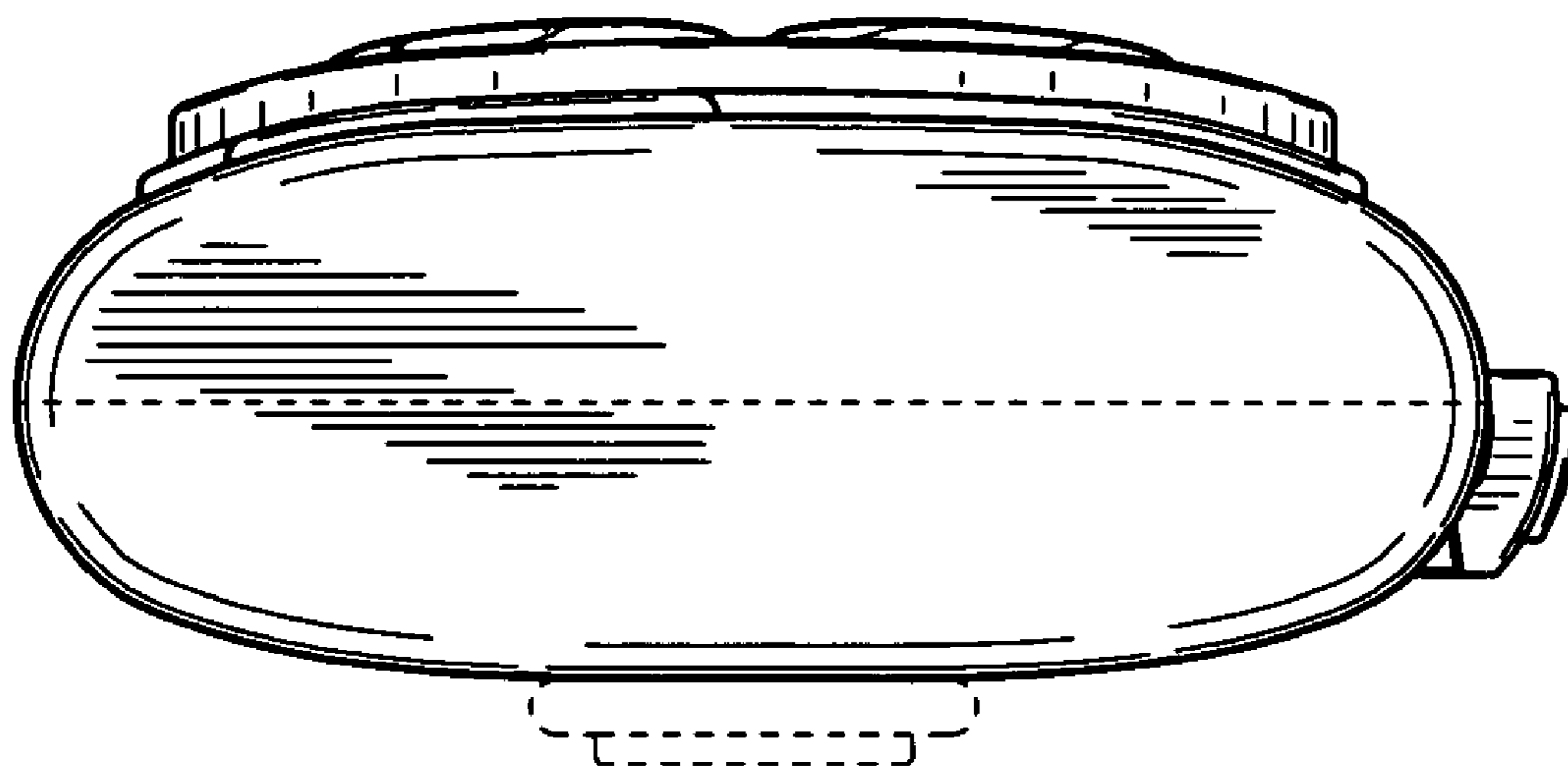


Fig. 7