



US00D587827S

(12) **United States Design Patent**  
**Tsukui et al.**

(10) **Patent No.:** **US D587,827 S**

(45) **Date of Patent:** **\*\* Mar. 3, 2009**

(54) **TURN SIGNAL LAMP FOR MOTORCYCLES**

(75) Inventors: **Hiroaki Tsukui**, Wako (JP); **Manabu Ichikawa**, Wako (JP)

(73) Assignee: **Honda Motor Co., Ltd.**, Tokyo (JP)

(\*\*) Term: **14 Years**

(21) Appl. No.: **29/300,997**

(22) Filed: **Jun. 9, 2008**

(51) **LOC (9) Cl.** ..... **26-06**

(52) **U.S. Cl.** ..... **D26/28**

(58) **Field of Classification Search** ..... D26/28-36;  
362/459-468, 475-478, 485-487

See application file for complete search history.

(56) **References Cited**

U.S. PATENT DOCUMENTS

D455,852 S	4/2002	Sawabe et al.	
D518,207 S *	3/2006	Wong et al.	D26/28
D539,948 S *	4/2007	Katagiri et al.	D26/28
D547,888 S *	7/2007	Conway et al.	D26/28
D565,758 S *	4/2008	Conway et al.	D26/28

\* cited by examiner

Primary Examiner—Marcus A. Jackson

(74) *Attorney, Agent, or Firm*—Birch, Stewart, Kolasch & Birch, LLP

(57) **CLAIM**

We claim the ornamental design for a turn signal lamp for motorcycles, as shown and described.

**DESCRIPTION**

FIG. 1 is a front view of a turn signal lamp for motorcycles showing our new design;

FIG. 2 is a rear view thereof;

FIG. 3 is a top plan view thereof;

FIG. 4 is a bottom view thereof;

FIG. 5 is a right side view thereof;

FIG. 6 is a left side view thereof.

FIG. 7 is a perspective view from the right front side thereof;

FIG. 8 is a perspective view from the left front side thereof;

FIG. 9 is a perspective view from the right rear side thereof;

FIG. 10 is a perspective view from the left rear side thereof; and,

FIG. 11 is an enlarged view of FIG. 1.

The broken lines in the drawings illustrate the environment and form no part of the claimed design.

**1 Claim, 6 Drawing Sheets**

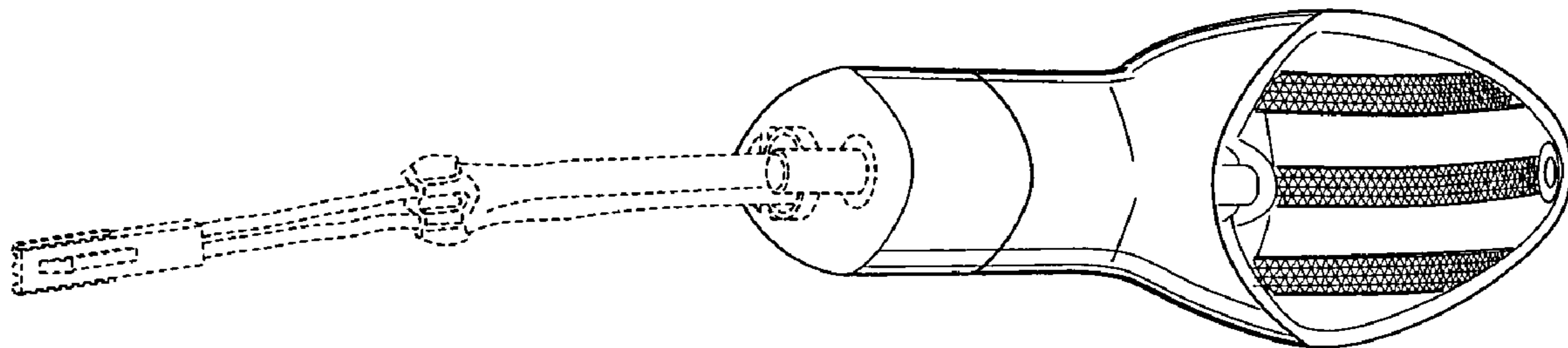


FIG.1

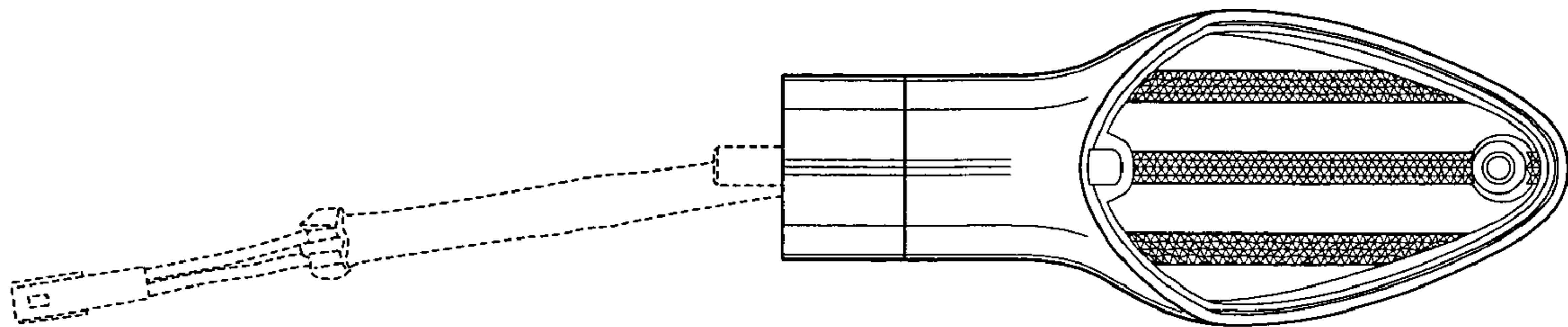


FIG.2

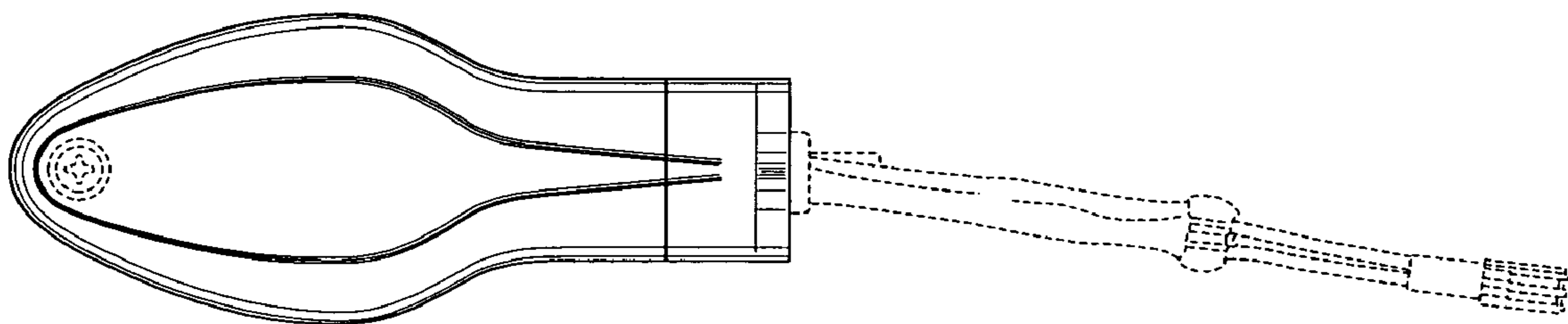


FIG.3

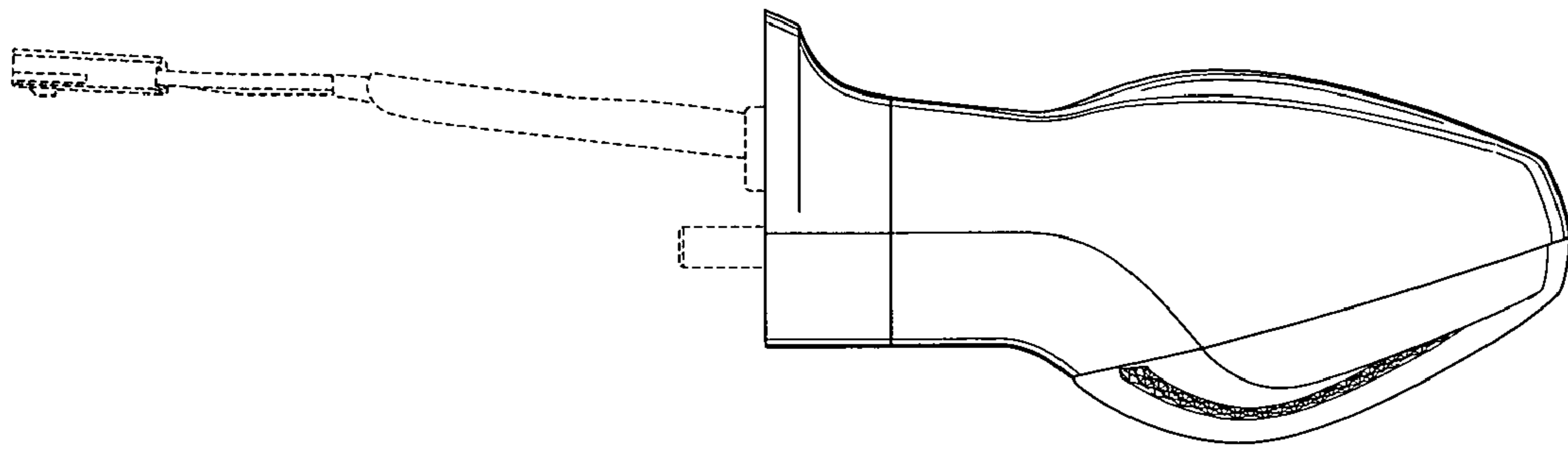


FIG.4

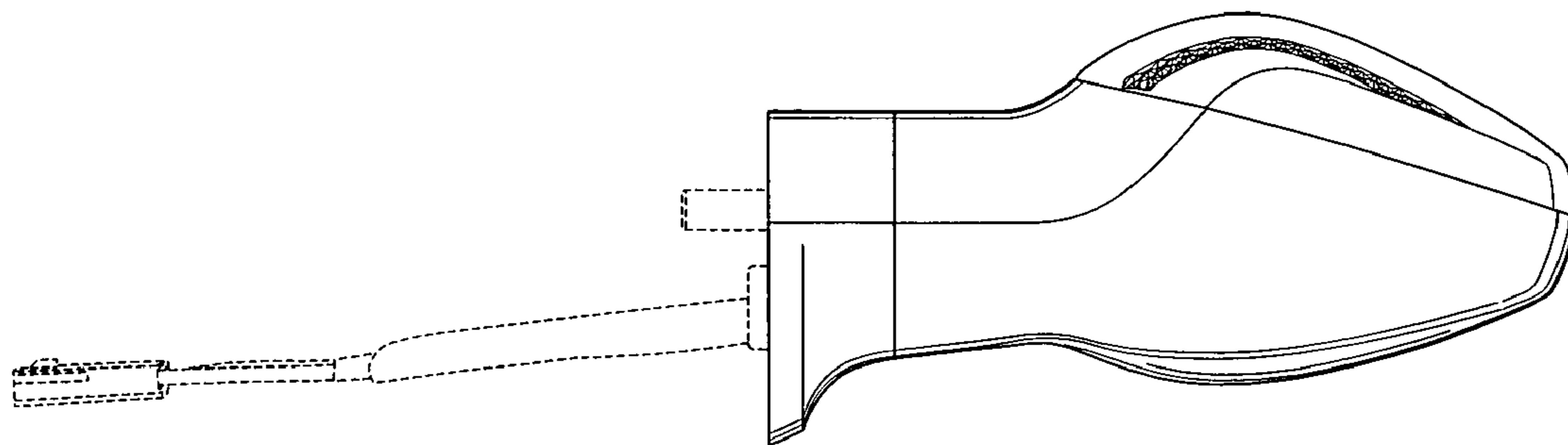


FIG.5

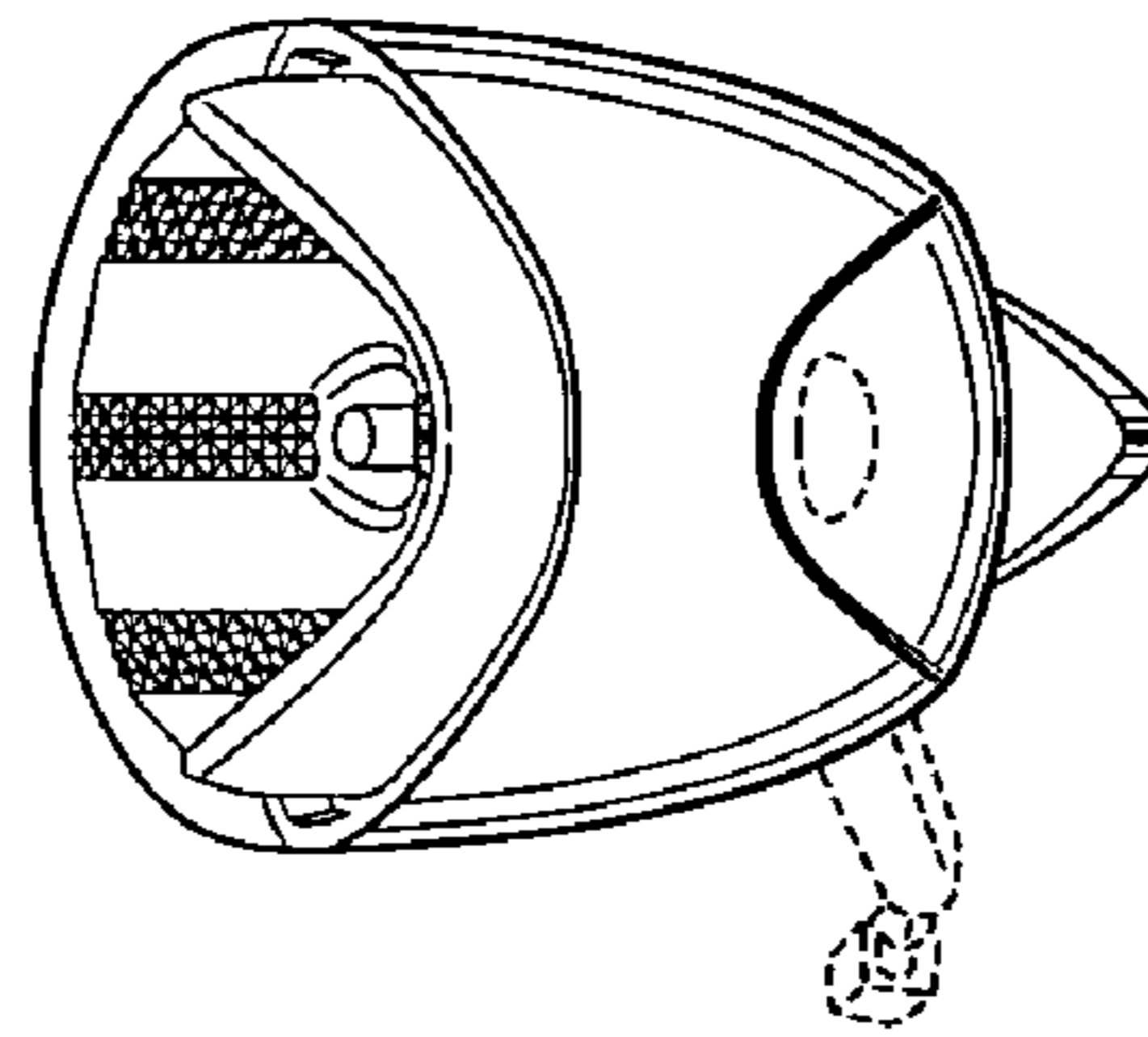


FIG.6

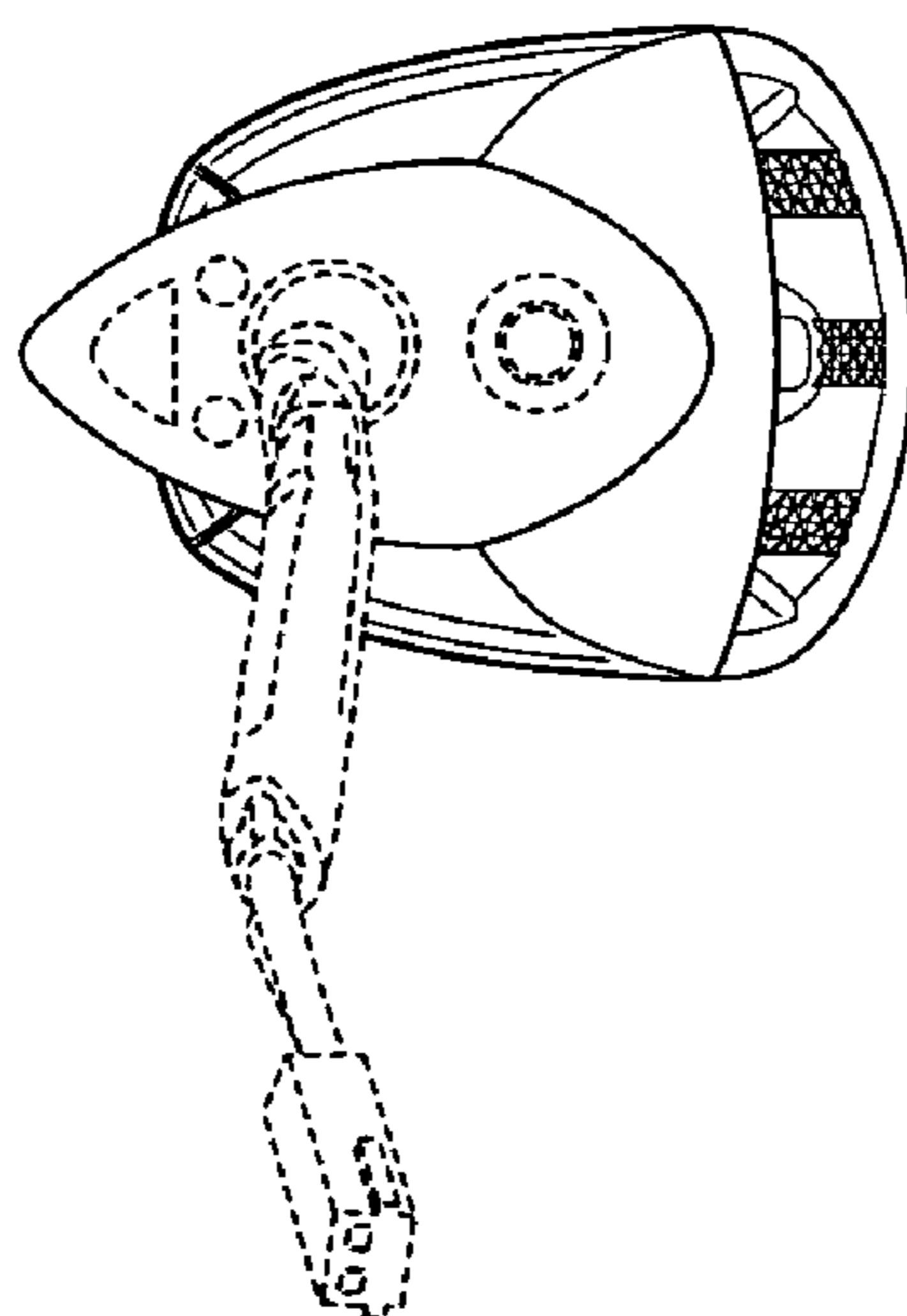


FIG.7

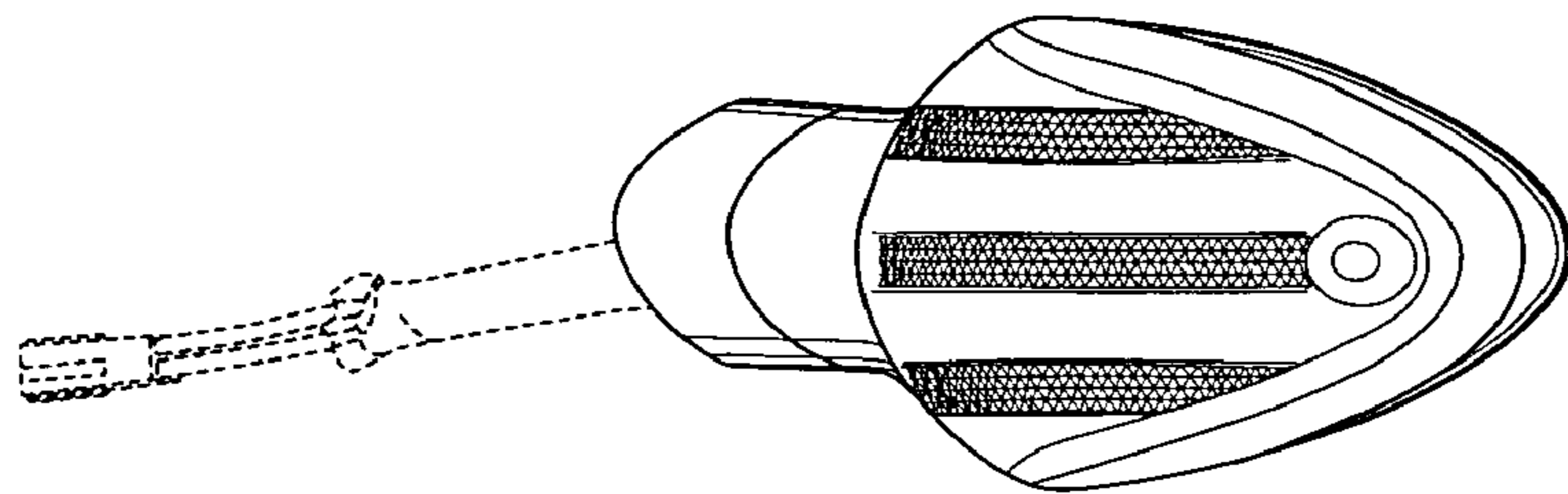


FIG.8

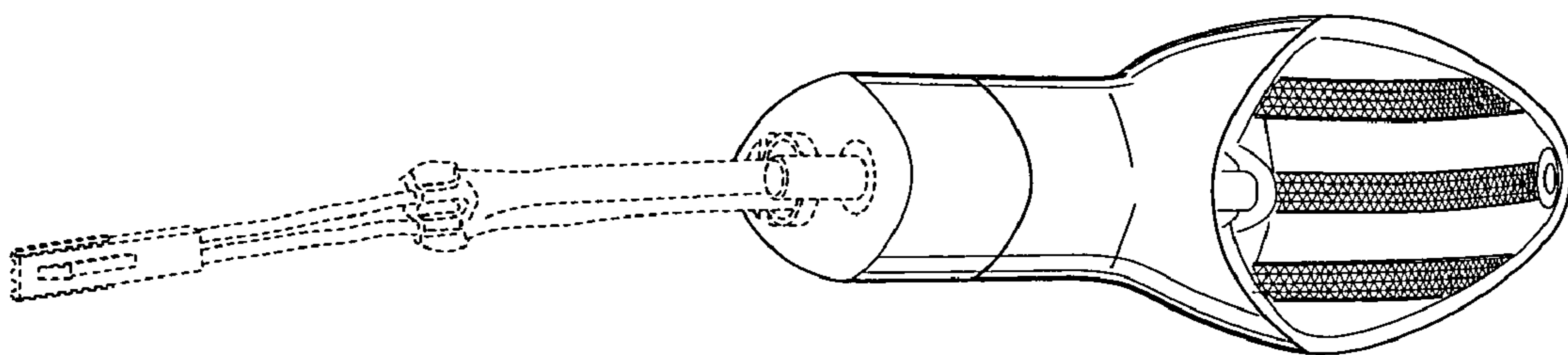


FIG.9

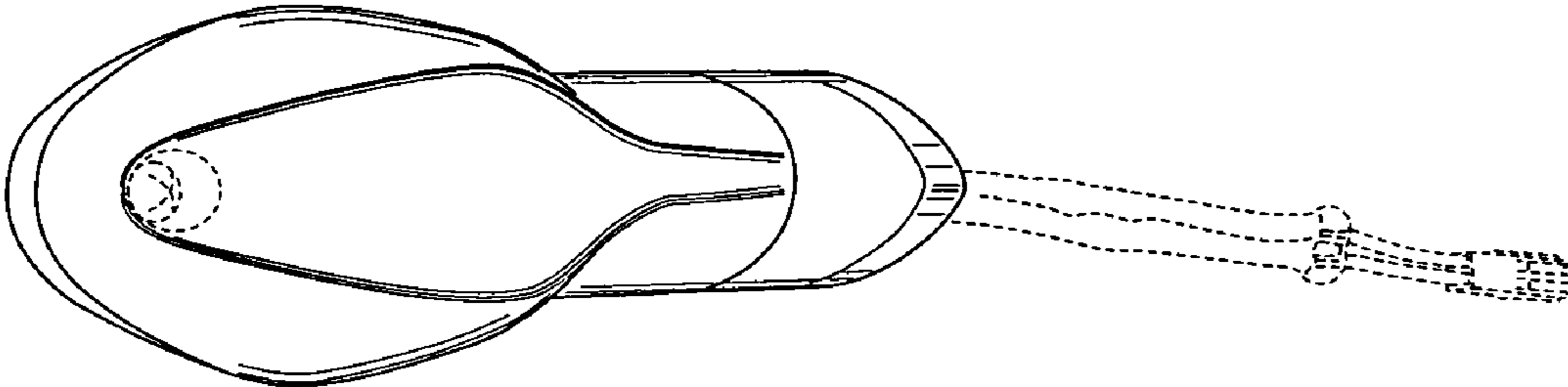


FIG.10

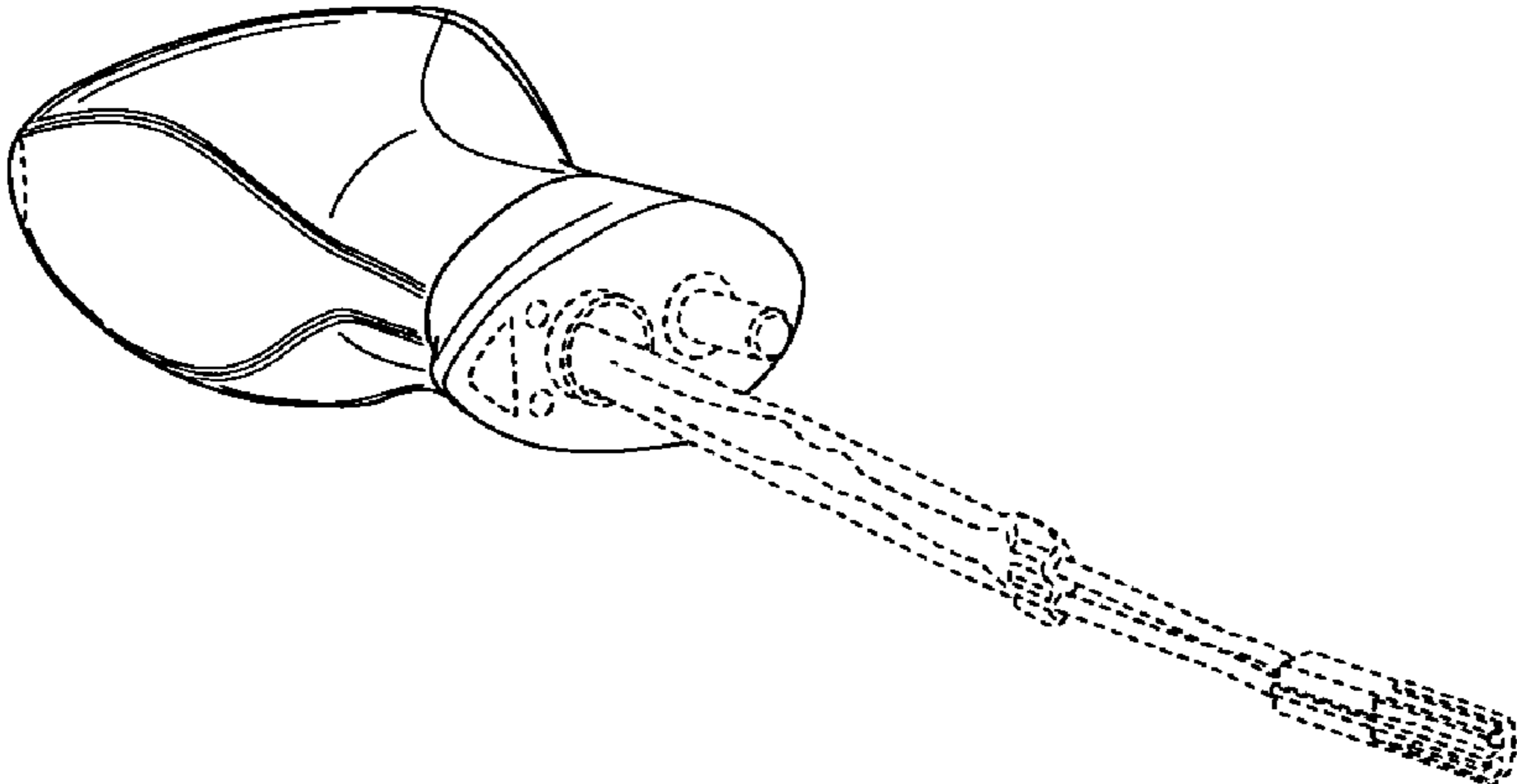




FIG.11

