



US00D587819S

(12) **United States Design Patent**  
**Ryan**

(10) **Patent No.:** **US D587,819 S**  
(45) **Date of Patent:** **\*\* \*Mar. 3, 2009**

(54) **FENCE POST PROFILE**

D522,147 S \* 5/2006 Morton et al. .... D25/119  
D544,105 S \* 6/2007 Flechsig ..... D25/119

(75) Inventor: **David Richard Ryan**, New Lambton Heights (AU)

**FOREIGN PATENT DOCUMENTS**

(73) Assignee: **Onesteel Manufacturing Pty Ltd**, Newcastle NSW (AU)

AU 4058/26 10/1926  
AU 4058/26 10/2001

(\*\*) Term: **14 Years**

**OTHER PUBLICATIONS**

(21) Appl. No.: **29/231,642**

Rylands Bros. Handbook, pp. 482 and 483, "Waratah-B.H.P." star section post, 1921.

(22) Filed: **Jun. 8, 2005**

\* cited by examiner

(30) **Foreign Application Priority Data**

Dec. 9, 2004 (AU) ..... 15706/2004

*Primary Examiner*—Doris Clark  
(74) *Attorney, Agent, or Firm*—Ladas & Parry LLP

(51) **LOC (9) Cl.** ..... **25-01**

(57) **CLAIM**

(52) **U.S. Cl.** ..... **D25/119**

I claim the ornamental design for a fence post profile, as shown and described.

(58) **Field of Classification Search** ..... D25/126,  
D25/38, 39, 119, 42, 44, 45, 46, 135, 121,  
D25/120; 52/111, 146, 150, 153, 154, 296,  
52/301; 182/45; 256/1, 2, 7, 19, 22, 33,  
256/59, 65.01, 65.02

**DESCRIPTION**

See application file for complete search history.

FIG. 1 is a perspective view of a fence post profile showing my new design;

FIG. 2 is a front view of FIG. 1, the rear view being identical to the front view;

FIG. 3 is a side view of FIG. 1;

FIG. 4 is a top view of FIG. 1; and,

FIG. 5 is a bottom view of FIG. 1.

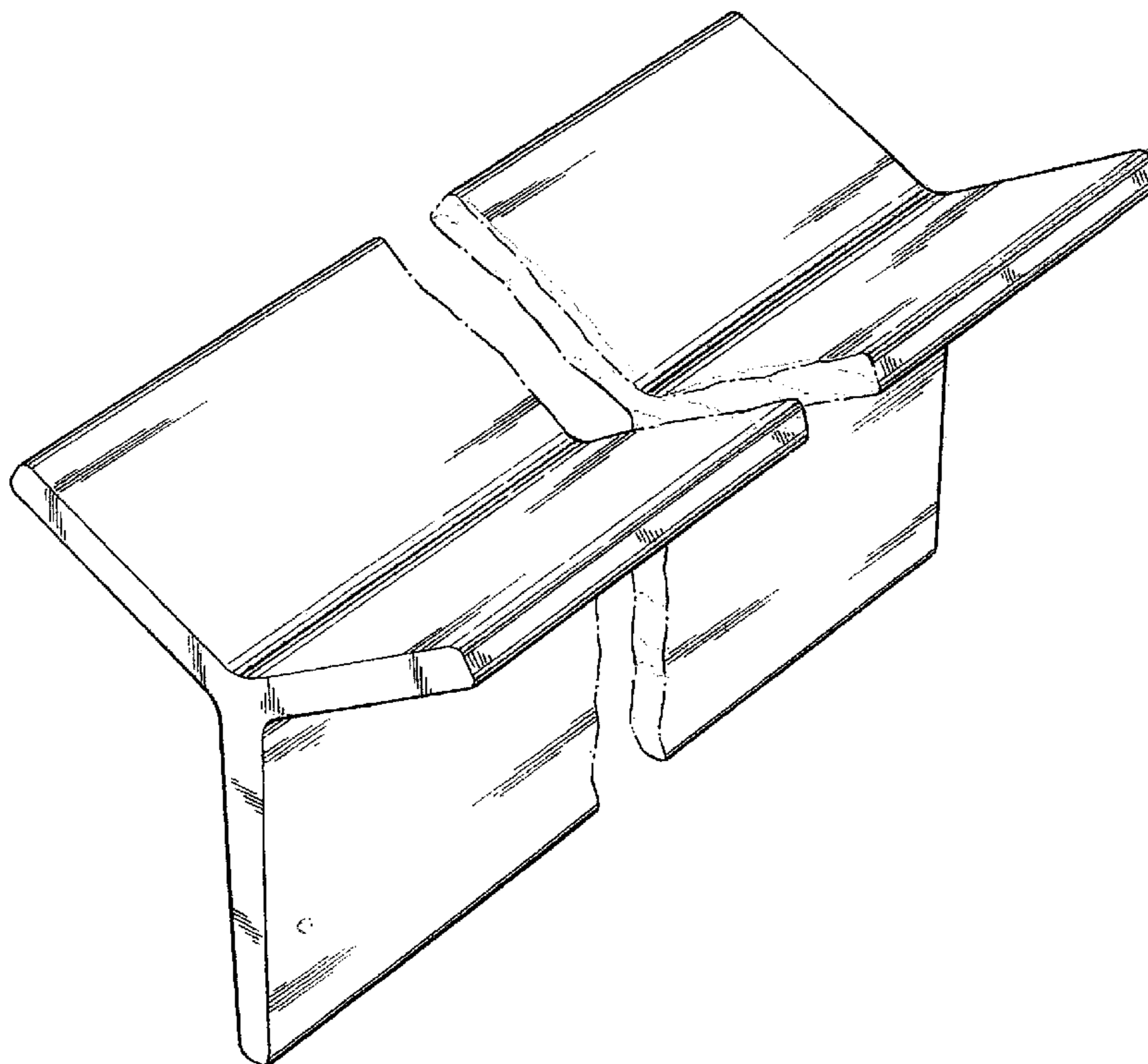
The fence post profile is broken in the center to indicate indefinite length.

(56) **References Cited**

**U.S. PATENT DOCUMENTS**

1,479,291 A \* 1/1924 Evans ..... 256/57  
D397,448 S \* 8/1998 Brevi ..... D25/50  
5,860,636 A \* 1/1999 Duncan et al. .... 256/1  
D492,836 S \* 7/2004 Lawrenson ..... D1/199

**1 Claim, 3 Drawing Sheets**



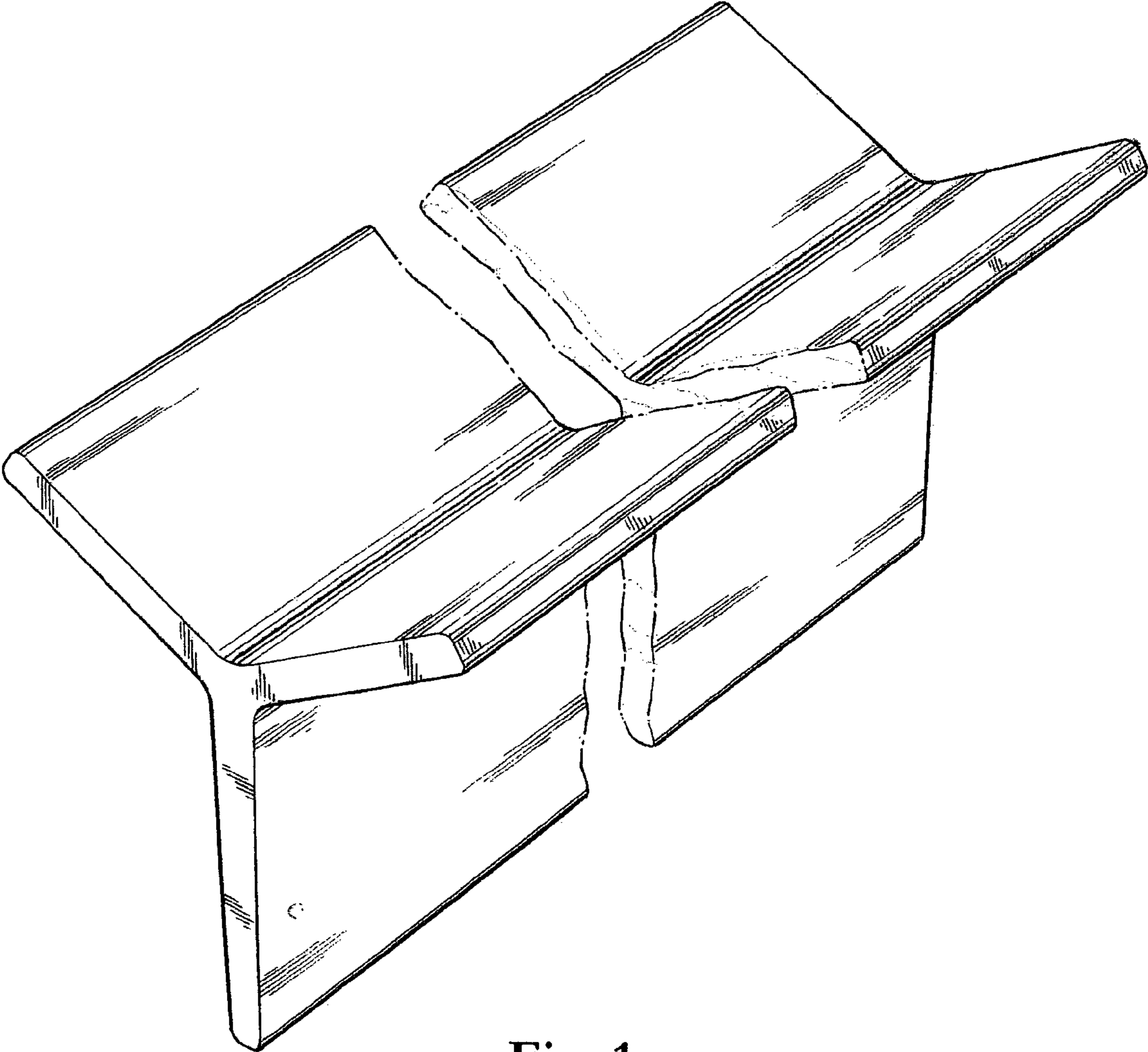


Fig. 1

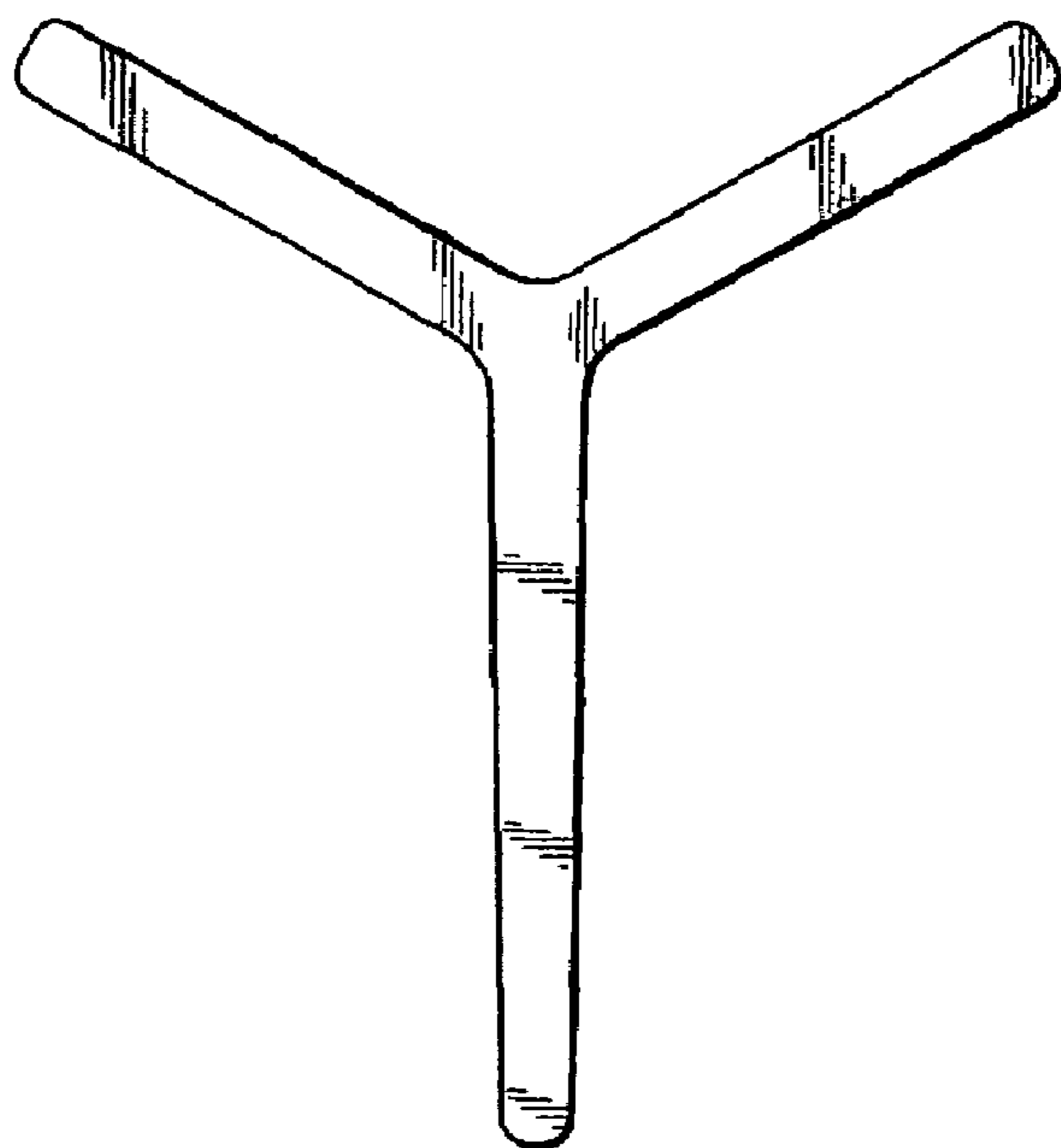


Fig. 2

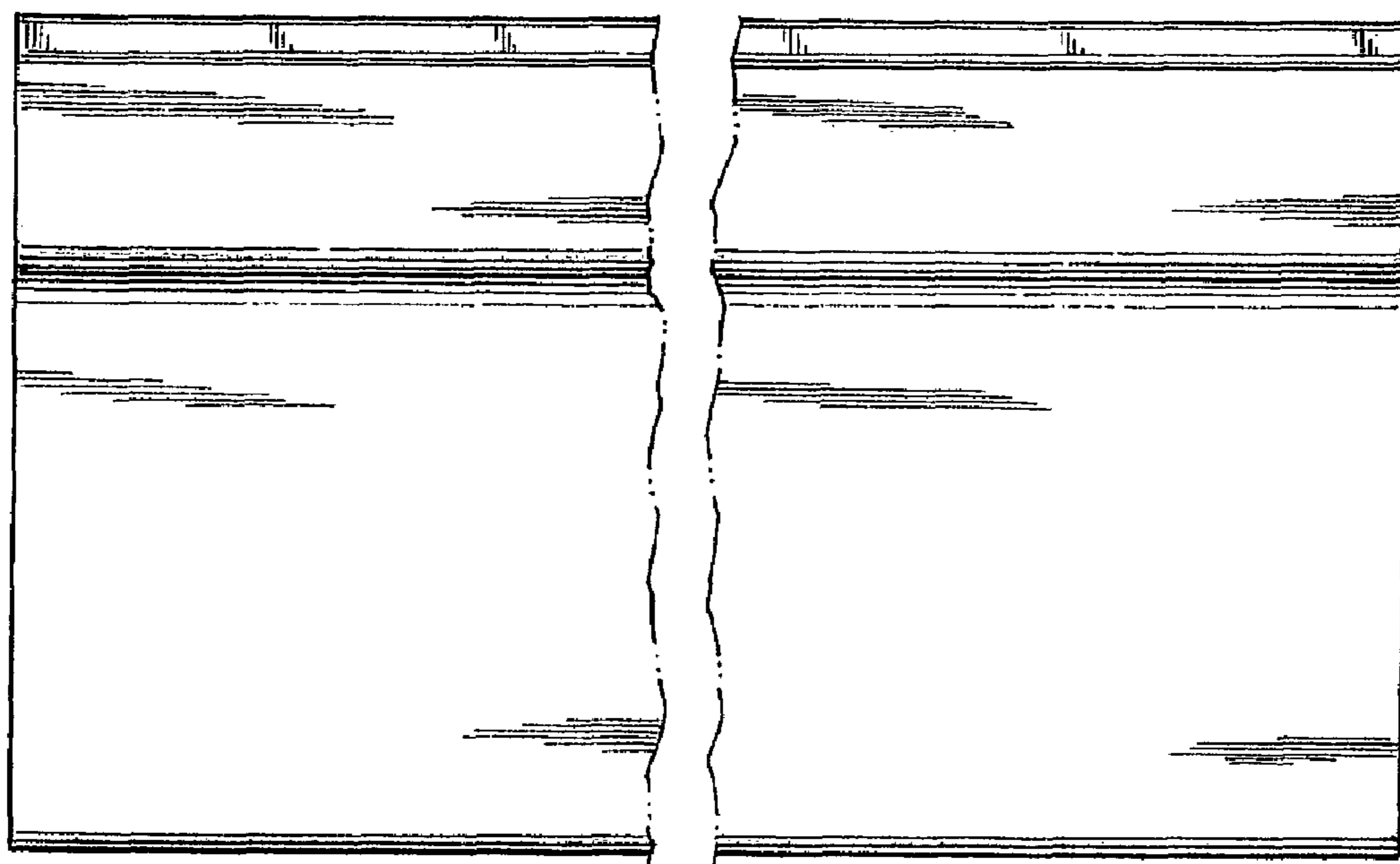


Fig. 3

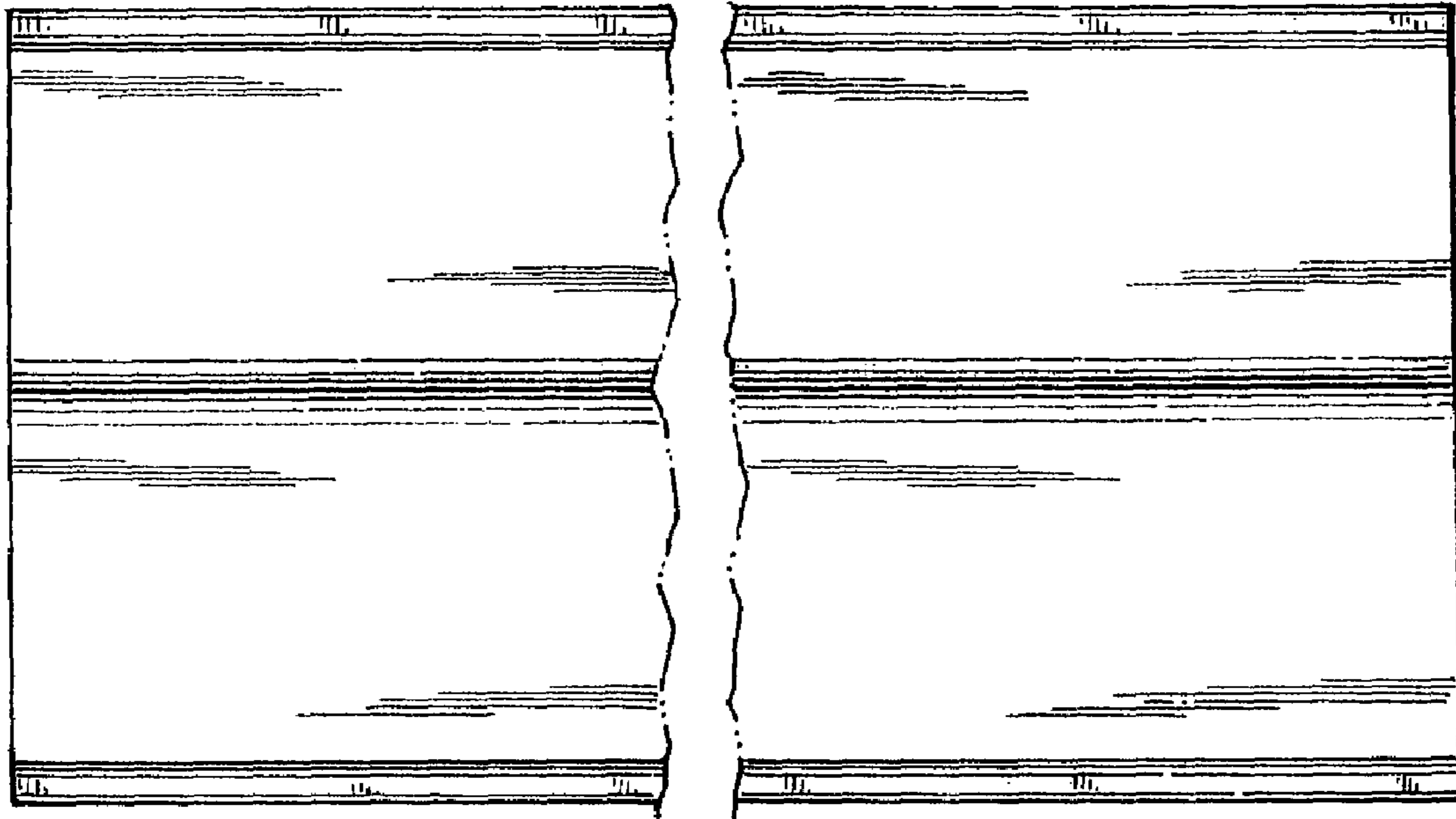


Fig. 4

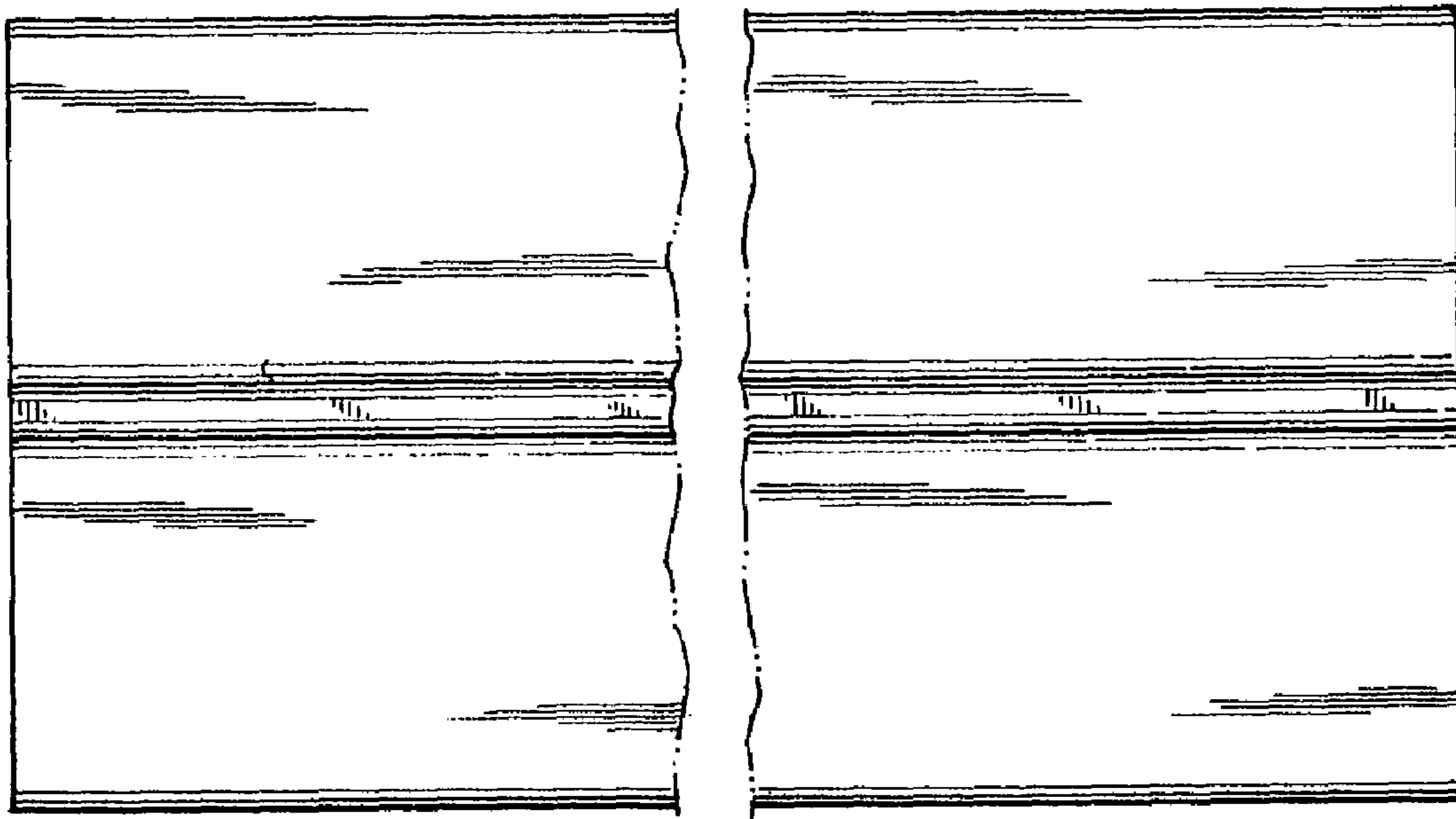


Fig. 5