



US00D587817S

(12) **United States Design Patent**
Giugiaro

(10) **Patent No.:** **US D587,817 S**
(45) **Date of Patent:** **** Mar. 3, 2009**

(54) **BUS SHELTER ASSEMBLY**

(75) Inventor: **Giorgetto Giugiaro**, Moncalieri-Turin (IT)

(73) Assignee: **Cemusa Corporacion Europea de Mobiliario Urbano, S.A.**, Madrid (ES)

(**) Term: **14 Years**

(21) Appl. No.: **29/289,243**

(22) Filed: **Jul. 11, 2007**

(30) **Foreign Application Priority Data**

Jan. 12, 2007 (EM) 000651435

(51) **LOC (9) Cl.** **25-02**

(52) **U.S. Cl.** **D25/56**

(58) **Field of Classification Search** D25/56;
135/907, 87; 52/3, 4, 5, 23, 79.6; 160/19,
160/29, 38, 39

See application file for complete search history.

(56) **References Cited**

U.S. PATENT DOCUMENTS

- D45,299 S 2/1914 Hammond
- D47,242 S 4/1915 Cusack
- 1,470,522 A 10/1923 Coyle
- D74,852 S 4/1928 Browne et al.
- D77,528 S 1/1929 Brumbaugh
- D103,954 S 4/1937 Reynolds
- D202,866 S 11/1965 Handley
- D227,599 S 7/1973 Wisgin
- D233,087 S 10/1974 Martin
- D239,576 S 4/1976 Casparro
- D240,169 S 6/1976 Summey
- D241,747 S 10/1976 King
- D275,969 S 10/1984 Bowers
- 4,558,650 A 12/1985 Berman
- D285,810 S 9/1986 Glasener
- D286,829 S 11/1986 Yeranossian
- D288,441 S 2/1987 Lalonde
- D294,365 S 2/1988 Nishibori et al.
- D295,193 S 4/1988 Visocky et al.

- D313,631 S 1/1991 White
- D317,681 S 6/1991 Stewart et al.
- D324,701 S 3/1992 Capps
- D330,568 S 10/1992 Roberts et al.
- D330,919 S 11/1992 Von Canal

(Continued)

FOREIGN PATENT DOCUMENTS

EP K593686 9/2006

(Continued)

OTHER PUBLICATIONS

U.S. Appl. No. 29/285,194, filed Mar. 22, 2007, Miranda, Advertising Panel Assembly.

(Continued)

Primary Examiner—Doris Clark
(74) *Attorney, Agent, or Firm*—Kenyon & Kenyon LLP

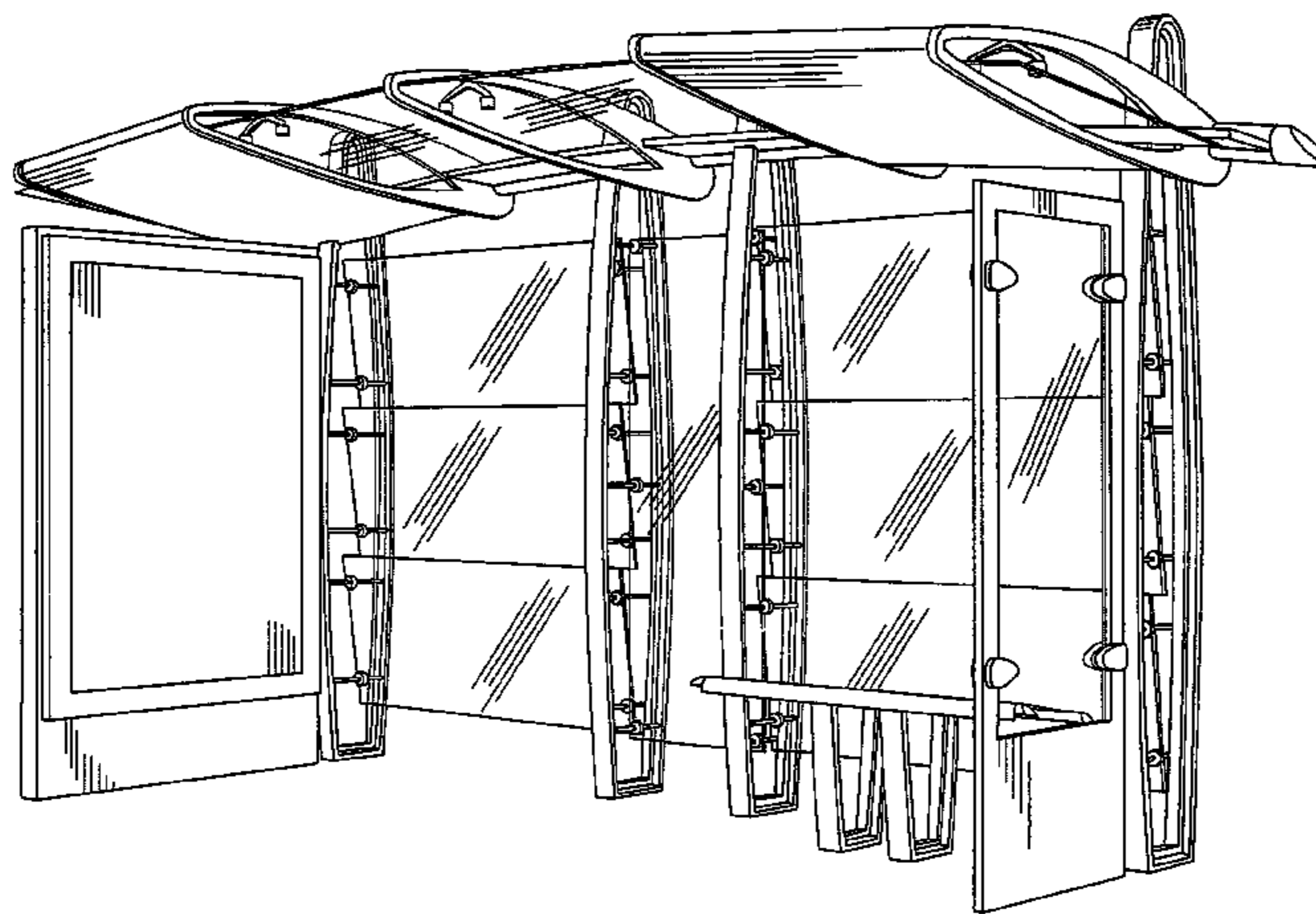
(57) **CLAIM**

The ornamental design for a bus shelter assembly, as shown and described.

DESCRIPTION

FIG. 1 is a front perspective view of an example embodiment of a bus shelter assembly showing my new design.
FIG. 2 is a front view thereof.
FIG. 3 is a right side view thereof.
FIG. 4 is a top view thereof.
FIG. 5 is a backside view thereof; and,
FIG. 6 is a left side view thereof.

1 Claim, 6 Drawing Sheets



US D587,817 S

Page 2

U.S. PATENT DOCUMENTS

D334,775	S	4/1993	Foster	
D336,136	S *	6/1993	Foster	D25/1
D347,025	S	5/1994	Asselin	
D356,601	S	3/1995	Arakaki et al.	
D366,158	S	1/1996	Wirth	
D375,979	S	11/1996	Adams	
5,584,547	A	12/1996	Trulaske, Sr.	
D378,301	S	3/1997	Leksell	
D386,723	S	11/1997	Fujieda	
D395,677	S	6/1998	Gongora et al.	
5,798,702	A	8/1998	Okamoto et al.	
5,857,537	A	1/1999	Matsumoto et al.	
D407,755	S	4/1999	Isshiki et al.	
D410,697	S	6/1999	Smart	
D413,934	S	9/1999	Kleihues	
D414,721	S	10/1999	Nakamura	
6,039,137	A	3/2000	Schless	
D423,164	S	4/2000	McKeown et al.	
D424,264	S	5/2000	McKeown et al.	
D425,938	S	5/2000	Skog	
D427,242	S	6/2000	Pettesch	
D433,455	S	11/2000	Methot	
D436,135	S	1/2001	Emert	
D440,544	S	4/2001	Fischer	
D445,273	S	7/2001	Brown et al.	
6,260,649	B1	7/2001	Carney, Jr.	
D446,821	S	8/2001	Decaux	
D447,183	S	8/2001	Wilmotte	
D448,420	S	9/2001	O'Brien et al.	
D449,076	S	10/2001	Dumouchel	
D452,710	S	1/2002	Ragot	
D452,884	S	1/2002	Metral	
D453,191	S	1/2002	Gentelia et al.	
D453,192	S	1/2002	Gentelia et al.	
D455,788	S	4/2002	Gentelia et al.	
D455,789	S	4/2002	Schlueter	
6,418,041	B1	7/2002	Kitamura	
D467,561	S	12/2002	Kosciolek	
6,505,638	B1 *	1/2003	Powell et al.	135/124
D472,223	S	3/2003	Wilmotte	
D479,659	S	9/2003	Fleckenstein et al.	
D480,431	S	10/2003	O'Brien et al.	
D483,074	S	12/2003	Strunk et al.	
D486,188	S	2/2004	Norcross et al.	
D489,072	S	4/2004	Nishioka et al.	
6,722,068	B2	4/2004	Ohlsson	
D491,608	S	6/2004	Strunk et al.	
D497,167	S	10/2004	Ozolins et al.	
D499,453	S	12/2004	Hornblad	
D499,768	S	12/2004	Hornblad	
D501,889	S	2/2005	Harris et al.	
D502,942	S	3/2005	Penke et al.	
6,865,830	B2	3/2005	Gravitt et al.	
D507,813	S	7/2005	Gillard	
D509,502	S	9/2005	Penke et al.	
D512,573	S	12/2005	Koenig	
D514,844	S	2/2006	Cravens et al.	
D529,192	S *	9/2006	Whalen	D25/56
D530,880	S	10/2006	Magee et al.	
7,156,296	B2	1/2007	Magee et al.	
7,165,641	B2	1/2007	Kitamura	
D542,849	S	5/2007	Hill et al.	
D555,524	S	11/2007	Jacobson et al.	
D556,264	S	11/2007	Tanaka et al.	
D559,577	S	1/2008	Quinn	
2008/0078112	A1	4/2008	Basha	

FOREIGN PATENT DOCUMENTS

EP	K593702	9/2006
EP	K651435	1/2007

EP	K688270	3/2007
EP	K715248	4/2007
EP	K715255	4/2007
EP	K715263	4/2007
EP	K715271	4/2007
EP	K745567	4/2007
EP	K722111	5/2007
EP	K722152	5/2007
EP	K722178	5/2007
EP	K722194	5/2007
EP	K732177	5/2007
EP	K732185	5/2007
WO	DM/056879	5/2006

OTHER PUBLICATIONS

U.S. Appl. No. 29/285,195, filed Mar. 22, 2007 Giugiaro, Information/Dispenser Station.

U.S. Appl. No. 29/285,196, filed Mar. 22, 2007, Giugiaro, Advertising Panel Assembly.

U.S. Appl. No. 29/285,197, filed Mar. 22, 2007, Miranda, Advertising Panel Assembly.

U.S. Appl. No. 29/285,198, filed Mar. 22, 2007, Guigiaro, Advertising Panel Assembly.

U.S. Appl. No. 29/285,206, filed Mar. 22, 2007, Guigiaro, Information Station.

U.S. Appl. No. 29/289,228, filed Jul. 11, 2007, King et al., Bus Shelter Assembly.

U.S. Appl. No. 29/289,229, filed Jul. 11, 2007, Rogers, Bus Shelter Assembly.

U.S. Appl. No. 29/289,248, filed Jul. 11, 2007, Rogers, Bus Shelter Assembly.

U.S. Appl. No. 29/289,249, filed Jul. 11, 2007, Pensi, Bus Shelter Assembly.

U.S. Appl. No. 29/286,920, filed May 21, 2007, Giugiaro, Bicycle.

U.S. Appl. No. 29/291,775, filed Sep. 13, 2007, Piantanida, Information/Advertising Panel Assembly.

U.S. Appl. No. 29/291,776, filed Sep. 13, 2007, Martinez Lapeña et al., Information/Advertising Panel Assembly.

U.S. Appl. No. 29/291,777, filed Sep. 13, 2007, Giugiaro, Information/Advertising Panel Assembly.

U.S. Appl. No. 29/291,778, filed Sep. 13, 2007, Grimshaw, Information/Advertising Panel Assembly.

U.S. Appl. No. 29/291,779, filed Sep. 13, 2007, Giugiaro, Information/Advertising Panel Assembly.

U.S. Appl. No. 29/291,780, filed Sep. 13, 2007, King et al., Information/Advertising Panel Assembly.

U.S. Appl. No. 29/291,781, filed Sep. 13, 2007, Grimshaw, Information/Advertising Panel Assembly.

U.S. Appl. No. 29/291,784, filed Sep. 13, 2007, King et al., Information/Advertising Panel Assembly.

U.S. Appl. No. 29/291,788, filed Sep. 13, 2007, Grimshaw, Information/Advertising Panel Assembly.

U.S. Appl. No. 29/291,789, filed Sep. 13, 2007, Pensi, Information/Advertising Panel Assembly.

U.S. Appl. No. 29/291,790, filed Sep. 13, 2007, Martinez Lapeña et al., Information/Advertising Panel Assembly.

U.S. Appl. No. 29/291,791, filed Sep. 13, 2007, Grimshaw, Advertising Panel Assembly.

U.S. Appl. No. 29/291,797, filed Sep. 13, 2007, Grimshaw, Information/Advertising Panel Assembly.

U.S. Appl. No. 29/291,798, filed Sep. 13, 2007, Rogers, Information/Advertising Panel Assembly.

U.S. Appl. No. 29/291,799, filed Sep. 13, 2007, Rogers, Information/Advertising Panel and/or Seating Assembly.

U.S. Appl. No. 29/291,800, filed Sep. 13, 2007, Beloqui, Information/Advertising Panel Assembly.

U.S. Appl. No. 29/291,801, filed Sep. 13, 2007, Rogers, Information/Advertising Panel Assembly.

U.S. Appl. No. 29/291,813, filed Sep. 13, 2007, Piantanida, Information/Advertising Panel Assembly.

U.S. Appl. No. 29/291,814, filed Sep. 13, 2007, King et al., Information/Advertising Panel Assembly.

US D587,817 S

Page 3

U.S. Appl. No. 29/291,815, filed Sep. 13, 2007, Grimshaw, Information/Advertising Panel Assembly.

U.S. Appl. No. 29/291,816, filed Sep. 13, 2007, Grimshaw, Information/Advertising Panel Assembly.

U.S. Appl. No. 29/291,817, filed Sep. 13, 2007, Niemeyer, Information/Advertising Panel Assembly.

U.S. Appl. No. 29/291,818, filed Sep. 13, 2007, Grimshaw, Information/Advertising Panel Assembly.

U.S. Appl. No. 29/291,820, filed Sep. 13, 2007, Pensi, Information/Advertising Panel Assembly.

U.S. Appl. No. 29/291,824, filed Sep. 13, 2007, King et al., Information/Advertising Panel Assembly.

U.S. Appl. No. 29/292,582, filed Oct. 16, 2007, Raynaud, Information/Advertising Panel Assembly.

U.S. Appl. No. 29/292,742, filed Oct. 26, 2007, Recycling-Area Assembly.

U.S. Appl. No. 29/292,744, filed Oct. 26, 2007, Bicycle Parking Assembly.

U.S. Appl. No. 29/292,745, filed Oct. 26, 2007, Booth Assembly.

U.S. Appl. No. 29/292,755, filed Oct. 26, 2007, Fence/Railing.

U.S. Appl. No. 29/292,882, filed Oct. 30, 2007, Public Restroom.

U.S. Appl. No. 29/292,901, filed Oct. 30, 2007, Bin Assembly.

U.S. Appl. No. 29/292,902, filed Oct. 30, 2007, Giugiaro, Bollard/Fastening-Post Assembly.

U.S. Appl. No. 29/292,903, filed Oct. 30, 2007, King et al., Recycling Bin.

U.S. Appl. No. 29/292,904, filed Oct. 30, 2007, Pensi et al., Seating Assembly.

U.S. Appl. No. 29/292,905, filed Oct. 30, 2007, News Stand Assembly.

U.S. Appl. No. 29/292,906, filed Oct. 30, 2007, Information/Advertising Panel Assembly.

* cited by examiner



FIG. 1

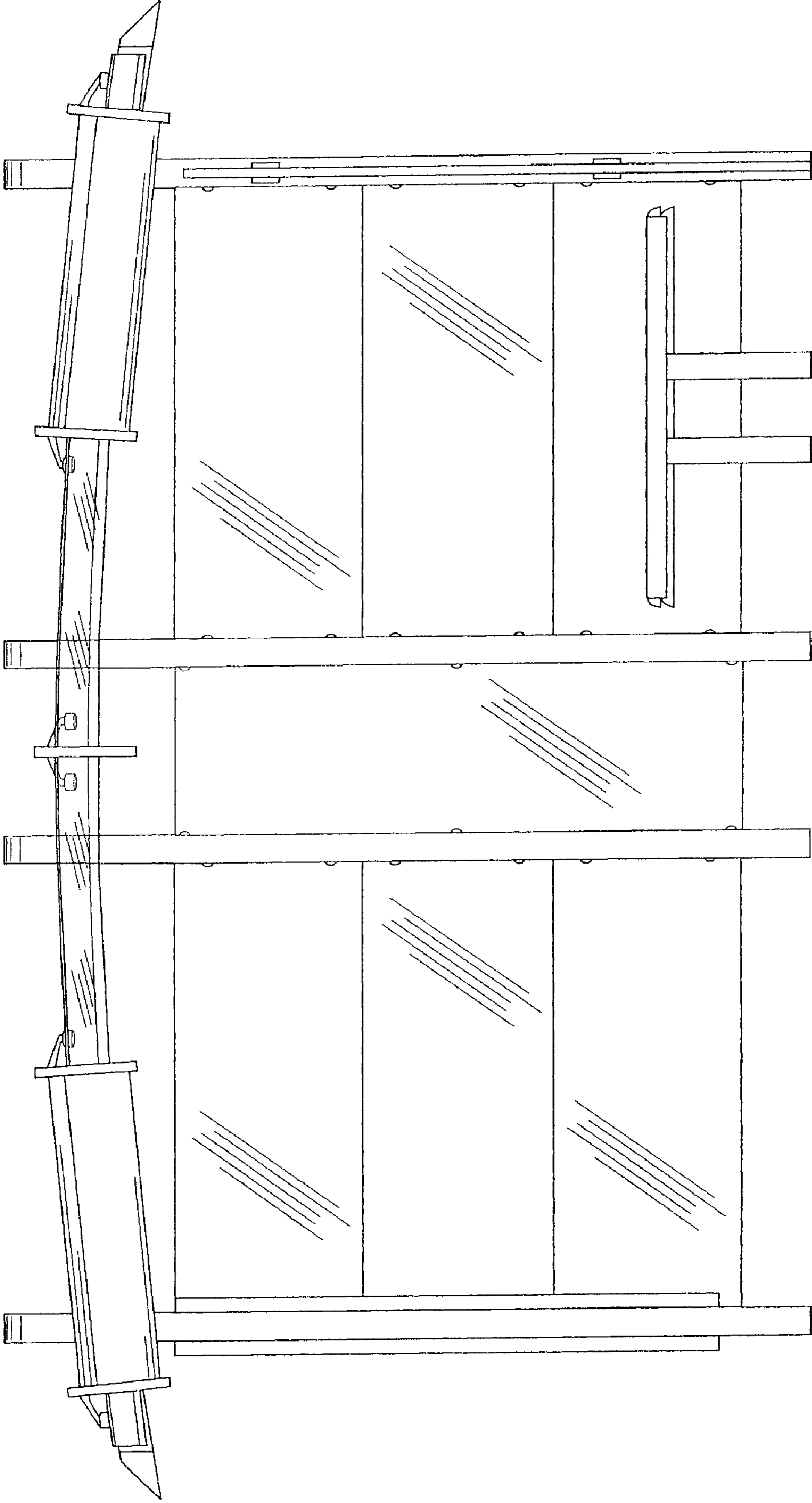


FIG. 2

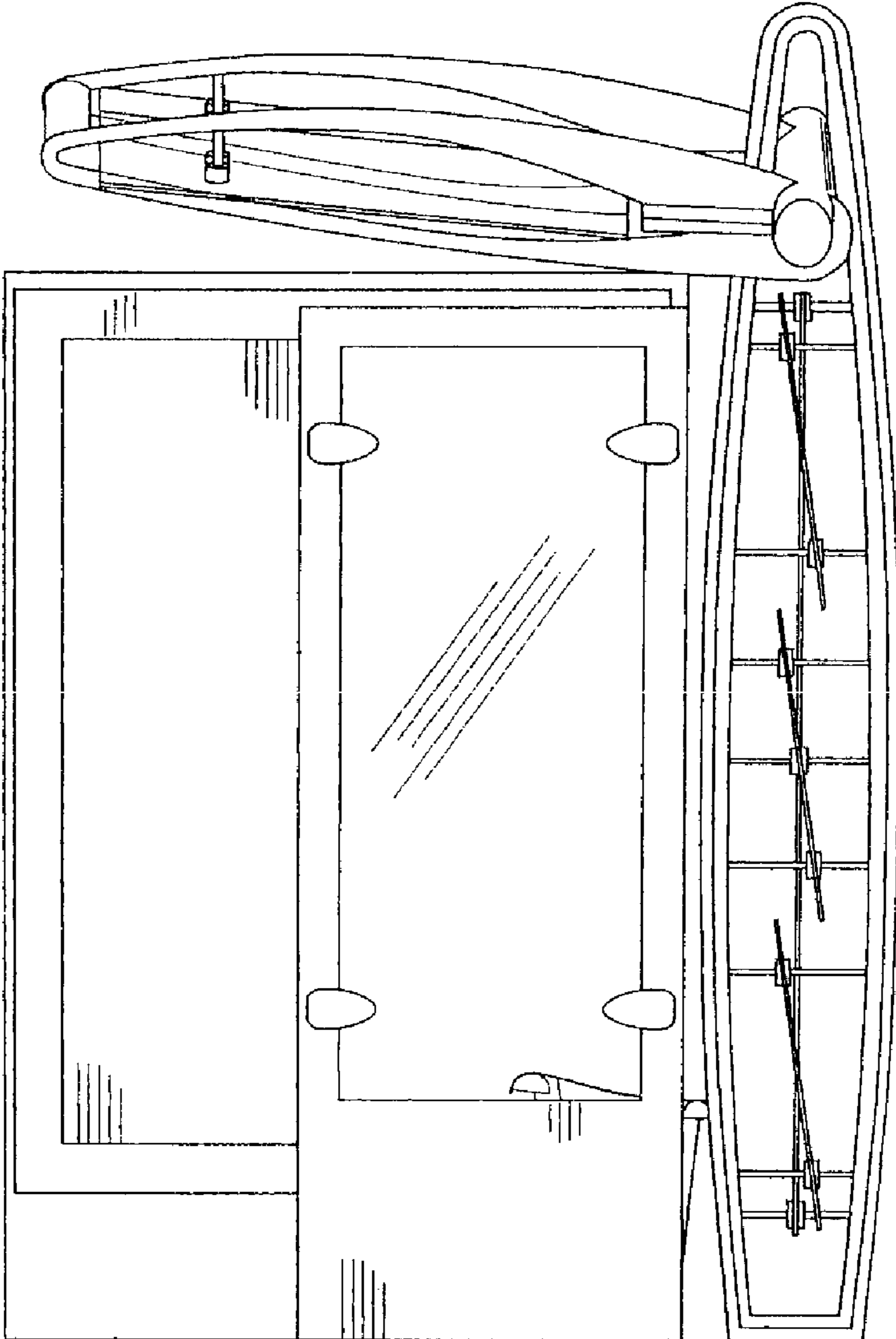


FIG. 3

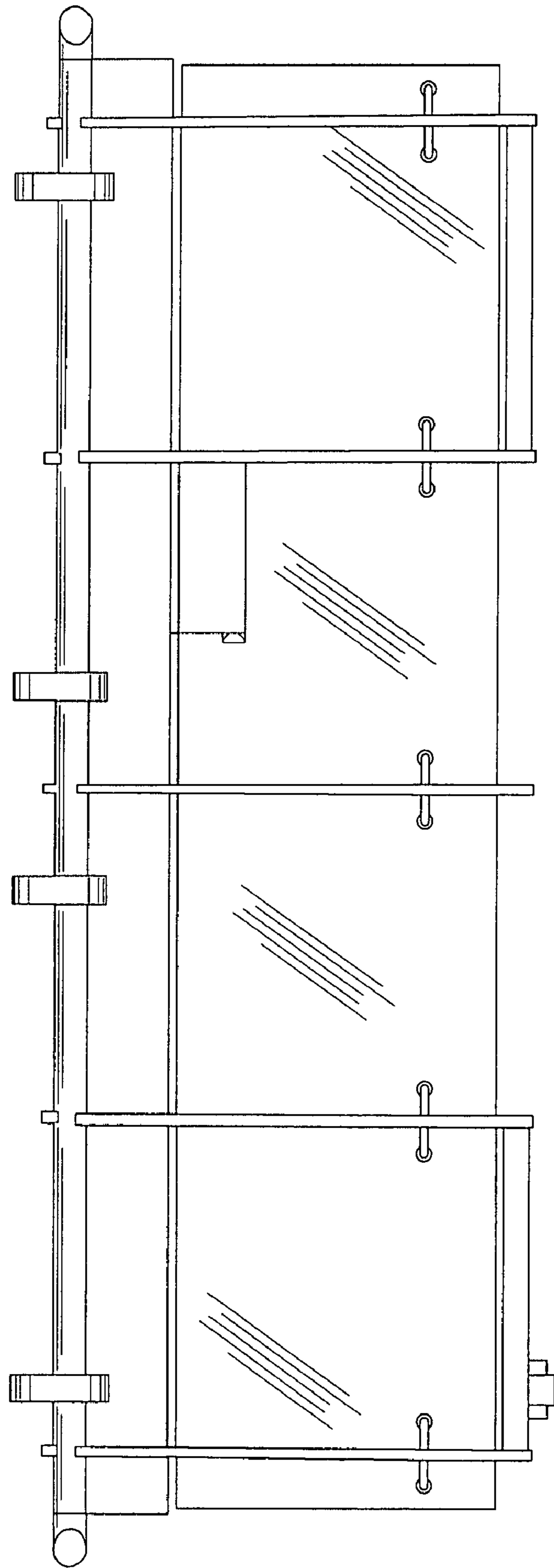


FIG. 4

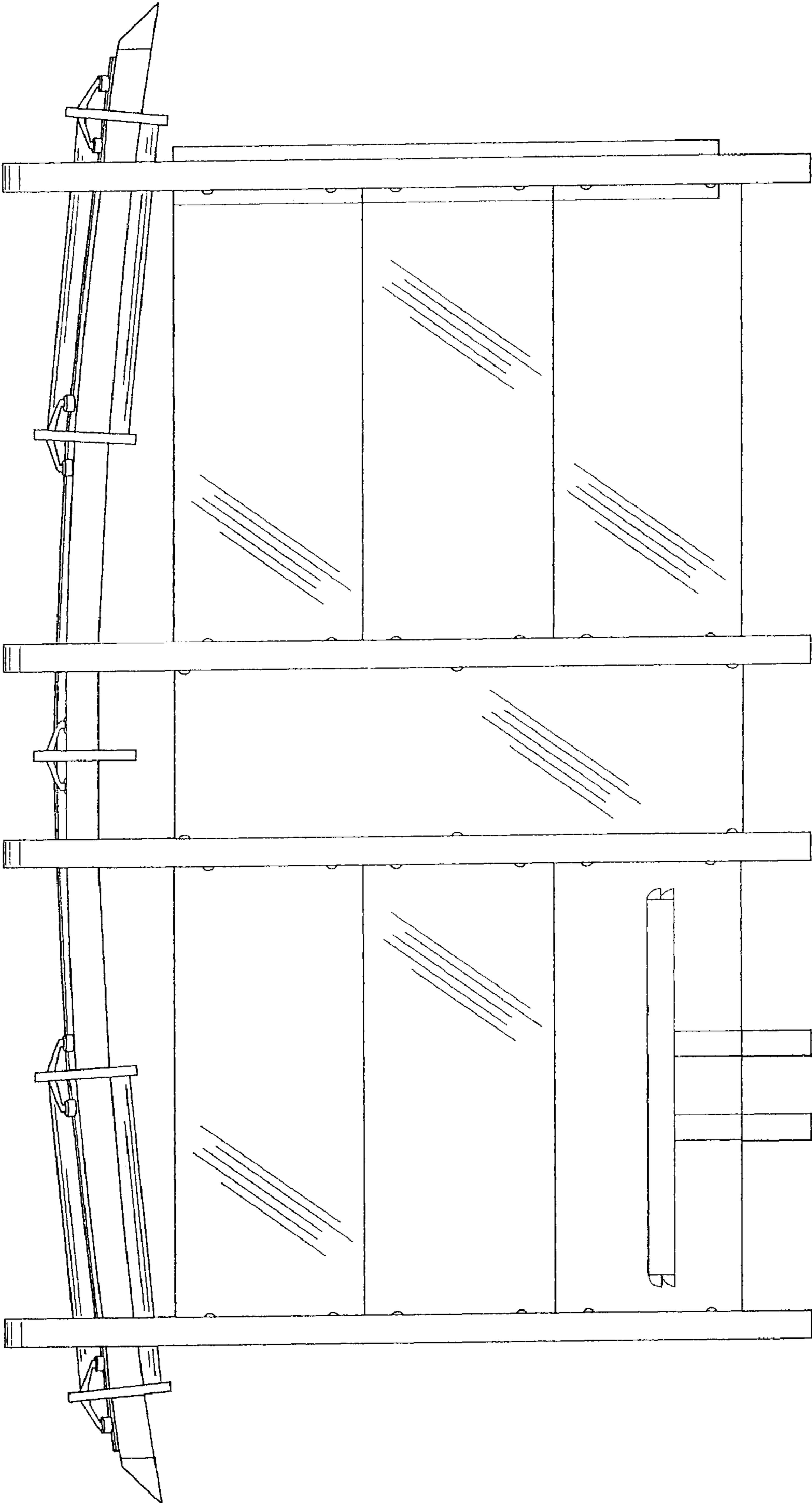


FIG. 5

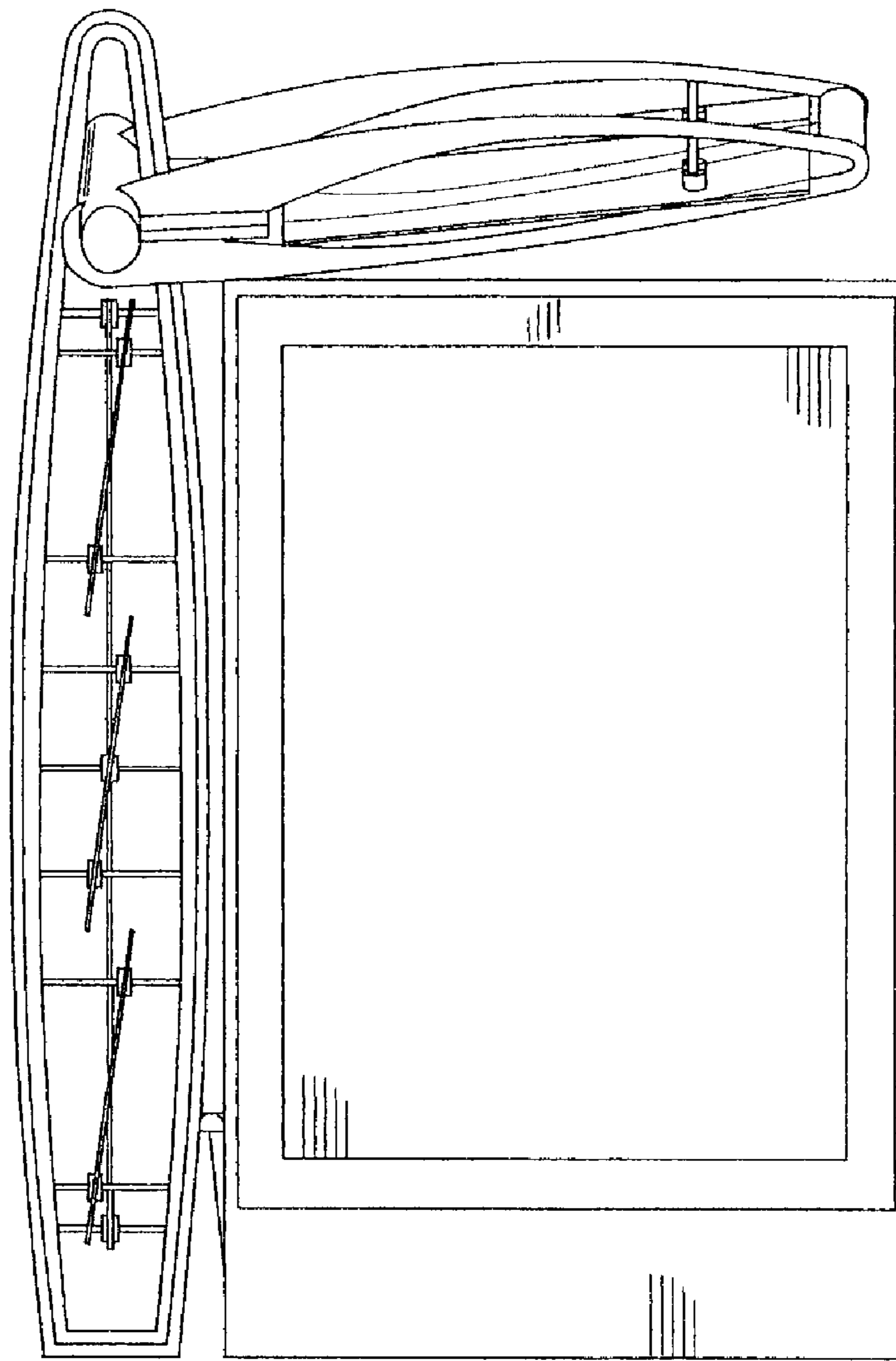


FIG. 6