



US00D587813S

(12) **United States Design Patent**  
**Steiber et al.**

(10) **Patent No.:** **US D587,813 S**  
(45) **Date of Patent:** **\*\* Mar. 3, 2009**

(54) **FLAT PANEL DOOR FACING**

(75) Inventors: **Michael F. Steiber**, Naperville, IL (US);  
**Dale E. Schafernak**, Palatine, IL (US);  
**Peggie A. Bolan**, Glenview, IL (US)

(73) Assignee: **Craftmaster Manufacturing, Inc.**,  
Chicago, IL (US)

(\*\*) Term: **14 Years**

(21) Appl. No.: **29/306,482**

(22) Filed: **Apr. 10, 2008**

6,688,063 B1 2/2004 Lee et al.  
D495,061 S 8/2004 Lynch et al.  
D501,565 S 2/2005 Malicki et al.  
D509,303 S 9/2005 Walsh et al.  
D510,771 S 10/2005 Walsh et al.  
D529,189 S 9/2006 Walsh et al.  
D529,190 S 9/2006 Walsh et al.  
D529,624 S 10/2006 Lynch et al.  
D529,625 S 10/2006 Walsh et al.  
D530,431 S 10/2006 Walsh et al.  
D534,660 S 1/2007 Lynch  
D536,099 S 1/2007 Walsh et al.  
D538,440 S 3/2007 Walsh et al.  
D541,946 S 5/2007 Lynch et al.  
D543,641 S 5/2007 Walsh et al.

**Related U.S. Application Data**

(60) Division of application No. 29/285,351, filed on Mar. 28, 2007, now Pat. No. Des. 576,740, which is a continuation-in-part of application No. 29/255,578, filed on Mar. 9, 2006, now abandoned.

(51) **LOC (9) Cl.** ..... **25-02**

(52) **U.S. Cl.** ..... **D25/48**

(58) **Field of Classification Search** ..... D25/48;  
52/455; 49/504, DIG. 2

See application file for complete search history.

(56) **References Cited**

**U.S. PATENT DOCUMENTS**

386,018 A 7/1888 Lilygren  
1,548,235 A 8/1925 Zahner  
D77,542 S 1/1929 Gaston  
D265,929 S \* 8/1982 Simpson ..... D25/48  
D275,522 S \* 9/1984 d'Epagnier ..... D25/48  
4,546,585 A 10/1985 Governale  
5,016,414 A 5/1991 Wang  
5,293,726 A 3/1994 Schick  
5,540,026 A 7/1996 Gartland  
6,170,224 B1 1/2001 Boyse et al.  
D438,636 S 3/2001 Stuart  
6,487,827 B2 12/2002 Hollman  
D472,330 S 3/2003 Marshall

**OTHER PUBLICATIONS**

U.S. Appl. No. 29/255,578, Michael Steiber.  
U.S. Appl. No. 29/302,274, Michael Steiber.

(Continued)

*Primary Examiner*—Doris Clark  
(74) *Attorney, Agent, or Firm*—McDermott Will & Emery  
LLP

(57) **CLAIM**

The ornamental design for the flat panel door facing, as shown and described.

**DESCRIPTION**

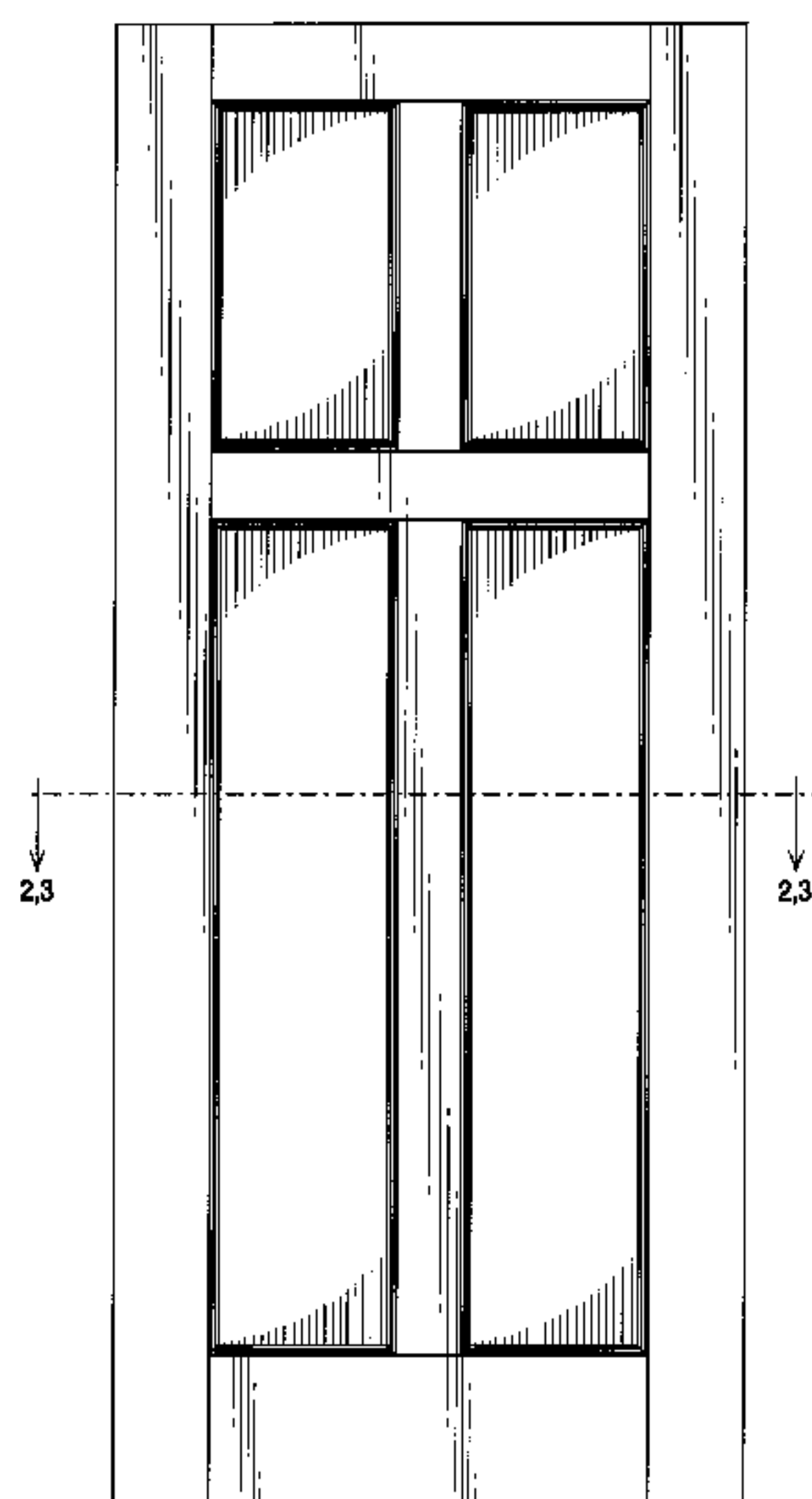
FIG. 1 is a front elevational view of a four panel flat panel door facing in accordance with the present invention.

FIG. 2 is a cross-sectional view along lines 2—2 of the flat panel door facing illustrated in FIG. 1; and,

FIG. 3 is a cross-sectional view along lines 3—3 of the flat panel door facing illustrated in FIG. 1.

The broken lines are for illustrative purposes only and form no part of the claimed design.

**1 Claim, 2 Drawing Sheets**

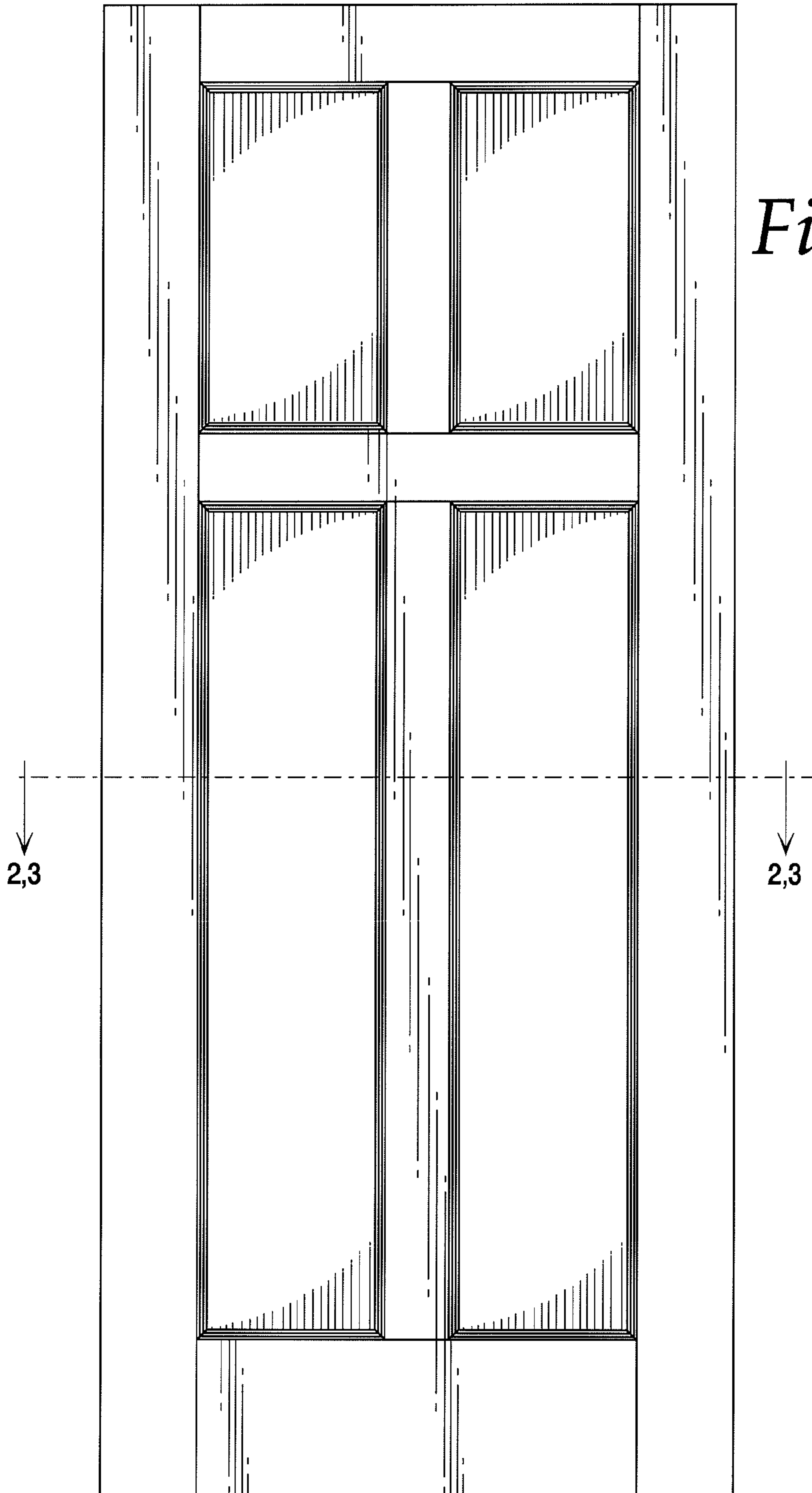


OTHER PUBLICATIONS

U.S. Appl. No. 29/302,278, Michael Steiber.  
U.S. Appl. No. 29/302,280, Michael Steiber.  
U.S. Appl. No. 29/302,271, Michael Steiber.  
U.S. Appl. No. 29/306,498, Michael Steiber.  
U.S. Appl. No. 29/306,500, Michael Steiber.  
U.S. Appl. No. 29/306,480, Michael Steiber.  
U.S. Appl. No. 29/306,492, Michael Steiber.  
U.S. Appl. No. 29/306,477, Michael Steiber.  
U.S. Appl. No. 29/306,505, Michael Steiber.  
U.S. Appl. No. 29/306,787, Steiber, Michael.  
U.S. Appl. No. 29/285,351, Steiber, Michael.  
"American Vernacular Interior Architecture" Jan Jennings 1870-1940 Herbert Gotfried, Wheaton Public Library, Wheaton IL, Copyright 1988.  
"Building Doors & Gates" Instructions, Techniques and Over 100 Designs, Alan & Gill Bridgewater, Stackpole Books, Copyright 1999.

Millwork, Principles and Practices Manufacture—Distribution—Use, William B. Lloyd, Professor of Forest Products, Michigan State Univ., Published Jointly by Cahners Publishing company, Inc. Chicago, IL, Copyright 1966.  
Ed Knapp new Old House, Designing with Reclaimed Materials, Harrington Institute of Interior Design, Chicago, IL Gibbs Smith, Publisher Salt Lake City, Copyright 2002.  
Old-House Dictionary and Illustrated Guide to American Domestic Architecture (1600-1940), Steven J. Philips, American source books, Lakewood, Colorado., Copyright 1989.  
Sears, Roebuck Home Builder's Catalog, "The Complete Illustrated 1910 Edition," Sears, Roebuck and Co., Copyright 1990.  
Shaker Built, The Form and Function and Function of Shaker Architecture, Copyright 1994.  
IE Shaker Furniture And Book, Timothy d. Reiman & Jean M. Burks, NK 2407 .R545 2005, Chicago Public Library Reference, Copyright 2005.

\* cited by examiner



*Fig. 1*

*Fig. 2*



*Fig. 3*

