



US00D587806S

(12) **United States Design Patent**  
**Hahn**

(10) **Patent No.:** **US D587,806 S**  
(45) **Date of Patent:** **\*\* Mar. 3, 2009**

(54) **RING APPLICATOR FOR THE APPLICATION OF FOUR RINGS**

(75) Inventor: **Martin Hahn**, Boll (DE)

(73) Assignee: **Kalr Storz GmbH & Co. KG** (DE)

(\*\*) Term: **14 Years**

(21) Appl. No.: **29/282,983**

(22) Filed: **Aug. 3, 2007**

(30) **Foreign Application Priority Data**

Feb. 5, 2007 (DE) ..... 4 07 00 813

(51) **LOC (9) Cl.** ..... **24-02**

(52) **U.S. Cl.** ..... **D24/145; D24/133; D24/140**

(58) **Field of Classification Search** ..... D24/140, D24/143, 145, 133; 606/140, 141, 139, 206, 606/151, 157, 148, 142, 143, 144; 600/104  
See application file for complete search history.

(56) **References Cited**

**U.S. PATENT DOCUMENTS**

702,997	A *	6/1902	Pugh	604/13
2,268,755	A *	1/1942	Li	606/139
3,088,454	A *	5/1963	Shute	600/571
3,989,049	A *	11/1976	Yoon	128/831
4,085,743	A *	4/1978	Yoon	606/140
4,374,523	A *	2/1983	Yoon	606/141
4,471,766	A *	9/1984	Terayama	600/104
4,815,476	A *	3/1989	Clossick	600/564
4,928,669	A *	5/1990	Sullivan	600/144
5,304,187	A *	4/1994	Green et al.	606/151
5,514,148	A *	5/1996	Smith, III	606/151
D385,627	S *	10/1997	Cook et al.	D24/133

5,792,149	A *	8/1998	Sherts et al.	606/142
5,972,002	A *	10/1999	Bark et al.	606/140
6,638,286	B1 *	10/2003	Burbank et al.	606/157
D494,271	S *	8/2004	Hughett et al.	D24/145

\* cited by examiner

*Primary Examiner*—Ian Simmons

*Assistant Examiner*—Carissa C Fitts

(74) *Attorney, Agent, or Firm*—St. Onge Steward Johnston & Reens LLC

(57) **CLAIM**

The ornamental design for ring applicator for the application of four rings, as shown and described.

**DESCRIPTION**

FIG. 1 is a front perspective view of a ring applicator for the application of four rings in accordance with the new design, showing a break in the middle indicating that the tubular detail is of no particular length;

FIG. 2 is a right side view thereof;

FIG. 3 is a bottom view thereof;

FIG. 4 is a top view thereof;

FIG. 5 is a left side view thereof;

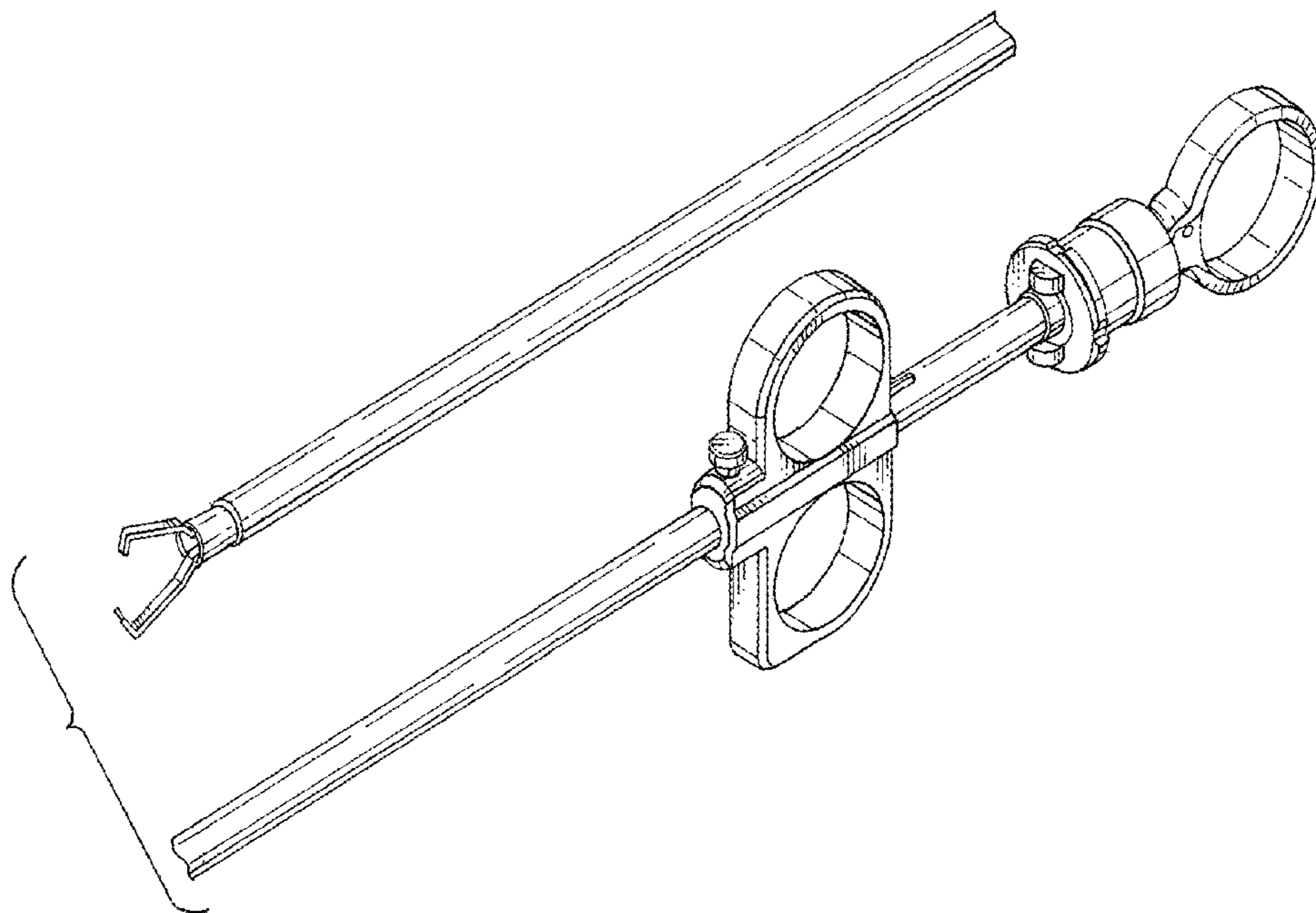
FIG. 6 is a rear view thereof;

FIG. 7 is a front view thereof; and,

FIG. 8 is another front perspective view thereof including four rings.

The broken line showing of the three rings in FIG. 8 is for illustrative purposes only and forms no part of the claimed design.

**1 Claim, 5 Drawing Sheets**



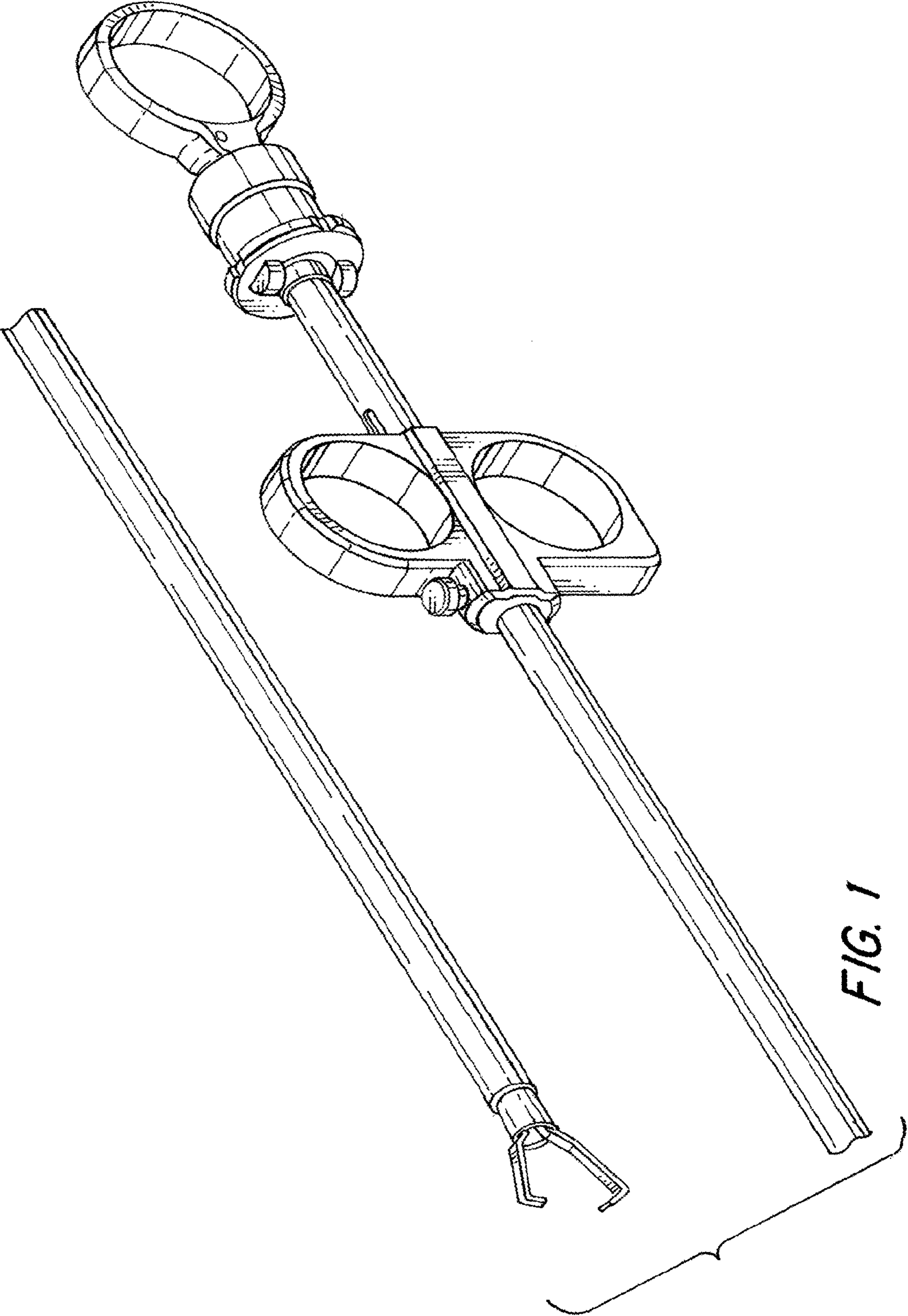
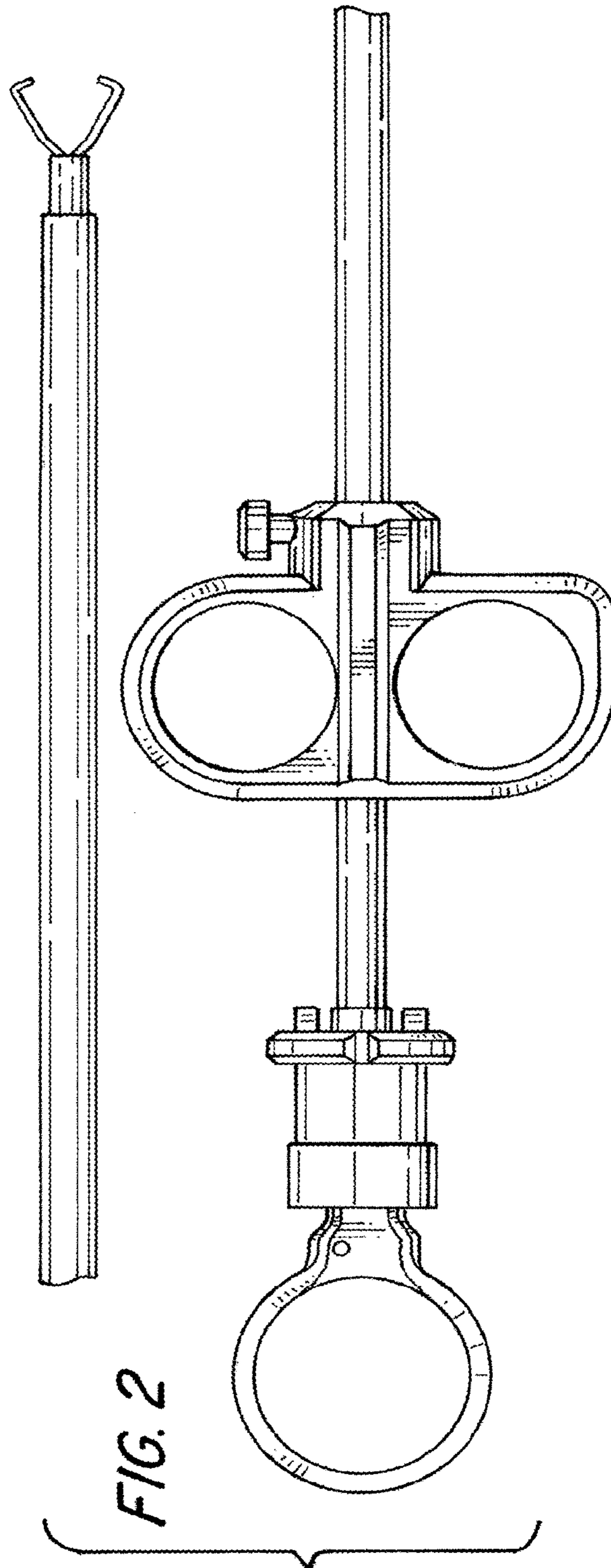
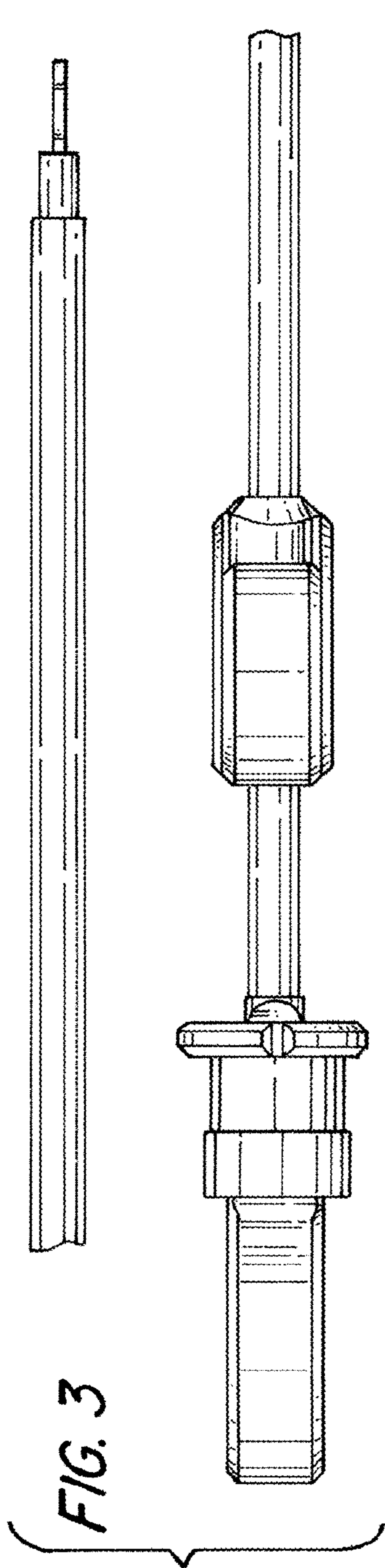


FIG. 1



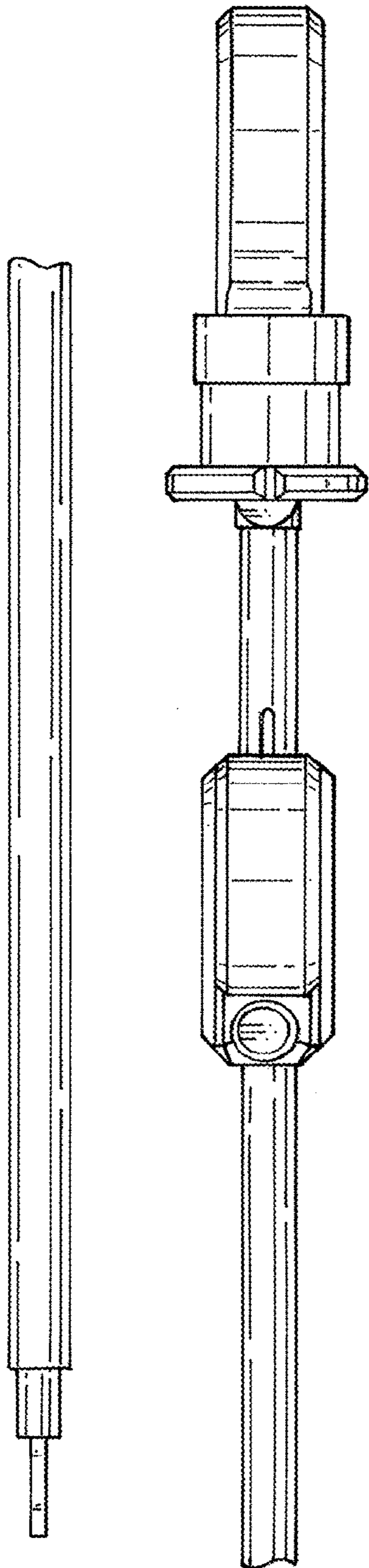


FIG. 4

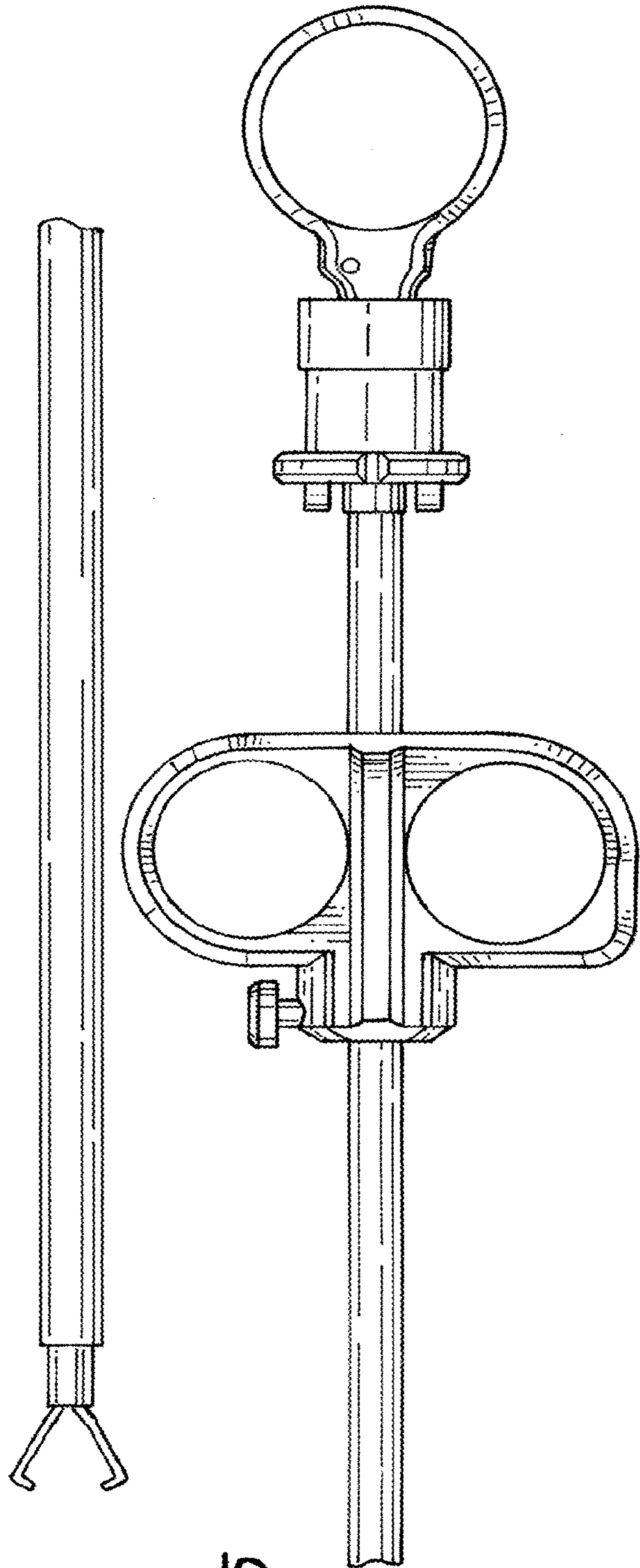
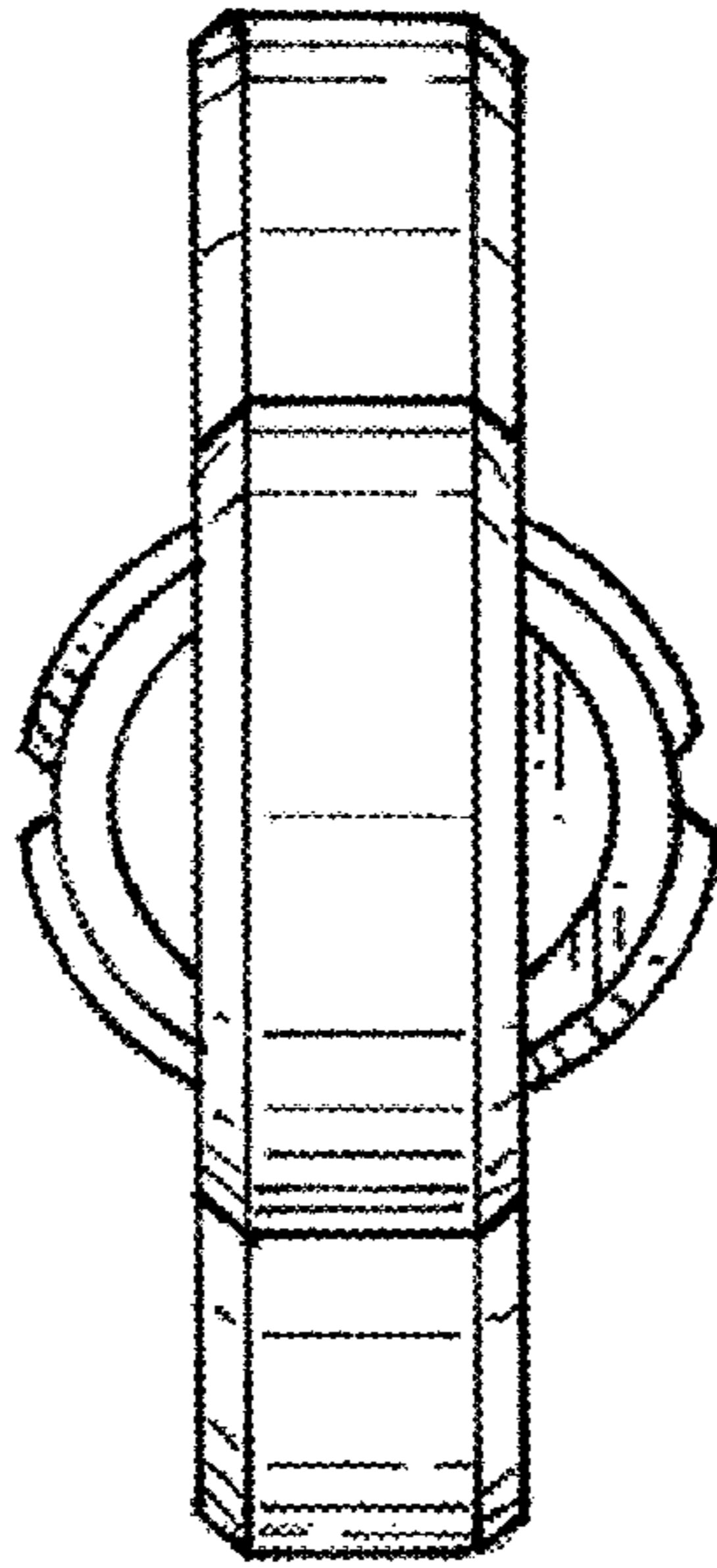
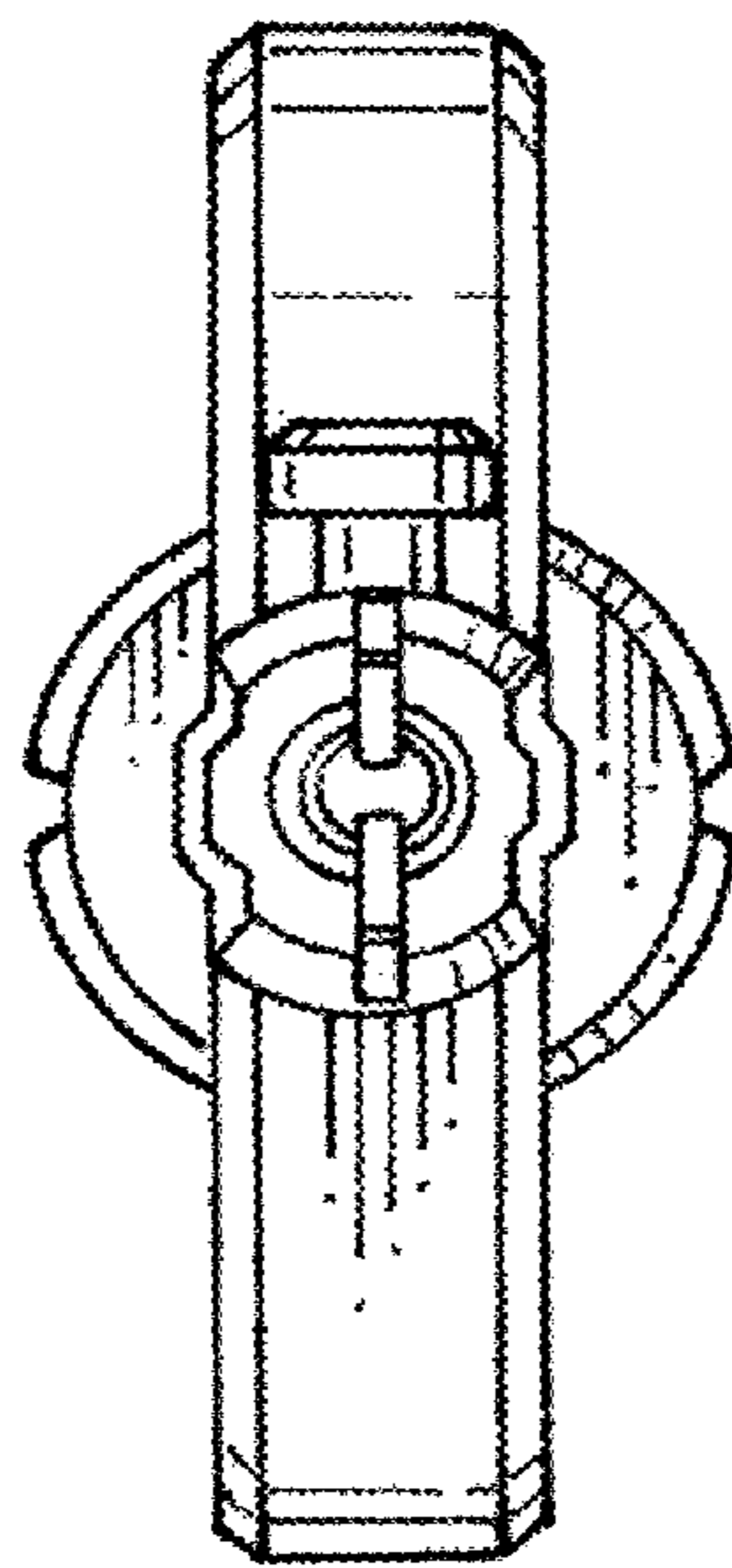


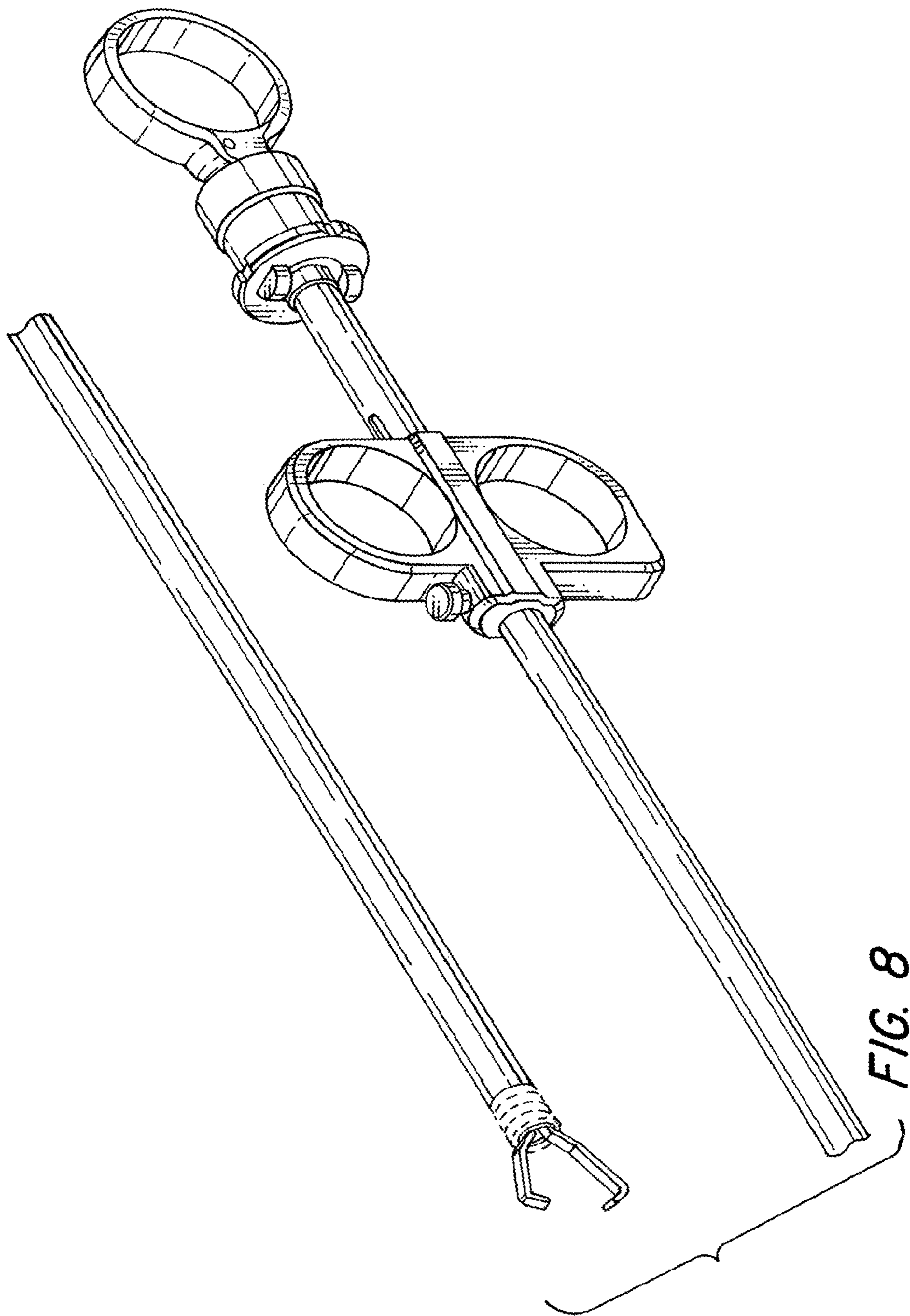
FIG. 5



*FIG. 6*



*FIG. 7*



UNITED STATES PATENT AND TRADEMARK OFFICE  
**CERTIFICATE OF CORRECTION**

PATENT NO. : Des. 587,806 S  
APPLICATION NO. : 29/282983  
DATED : March 3, 2009  
INVENTOR(S) : Martin Hahn

Page 1 of 1

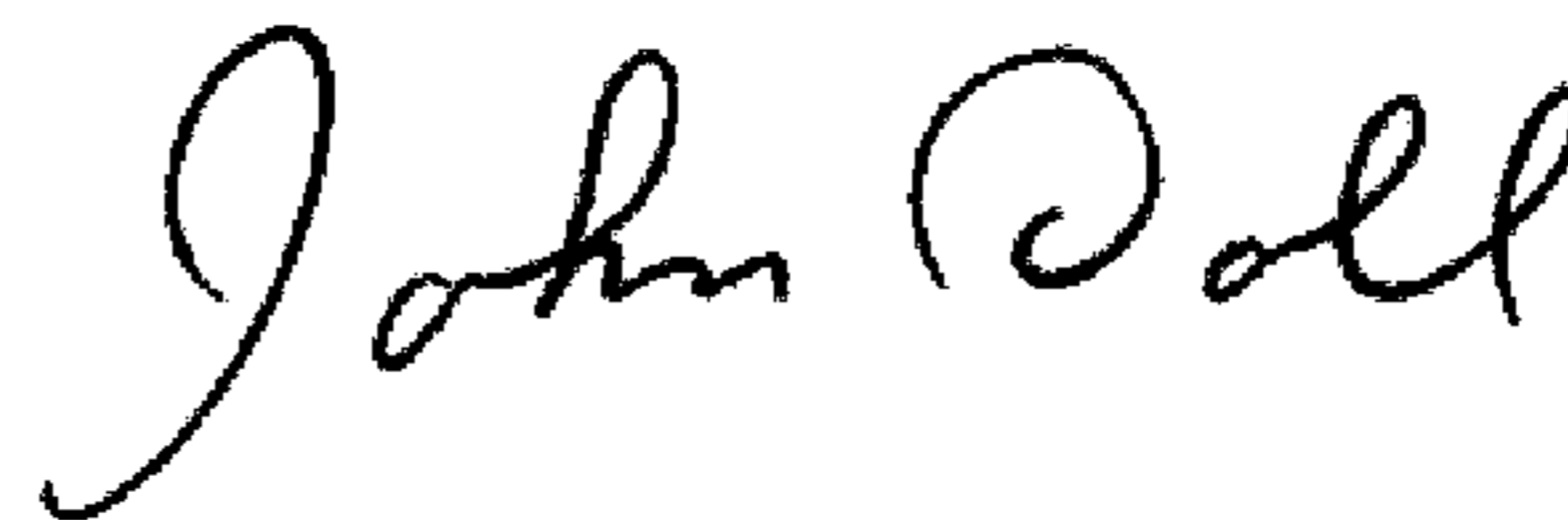
It is certified that error appears in the above-identified patent and that said Letters Patent is hereby corrected as shown below:

On the Title Page, Item (73) should read

-- (73) Assignee: Karl Storz GmbH & Co. KG (DE) --.

Signed and Sealed this

Twenty-eighth Day of April, 2009



JOHN DOLL

*Acting Director of the United States Patent and Trademark Office*