



US00D587805S

(12) **United States Design Patent**
Gokhale et al.

(10) **Patent No.:** **US D587,805 S**
(45) **Date of Patent:** **** Mar. 3, 2009**

(54) **ANAL APPLICATOR**

(75) Inventors: **Satish Madhukar Gokhale**, Pune (IN);
Abhijit Takale, Pune (IN)

(73) Assignee: **Sun Pharma Advanced Research**
Company Limited, Gujarat (IN)

(**) Term: **14 Years**

(21) Appl. No.: **29/296,882**

(22) Filed: **Oct. 30, 2007**

(30) **Foreign Application Priority Data**

Apr. 30, 2007 (IN) 209915

(51) **LOC (9) Cl.** **24-02**

(52) **U.S. Cl.** **D24/141**

(58) **Field of Classification Search** D24/141,
D24/114, 119, 133; 606/197; 604/48-507,
604/511-522

See application file for complete search history.

(56) **References Cited**

U.S. PATENT DOCUMENTS

5,404,870 A * 4/1995 Brinkerhoff et al. 600/184
5,662,601 A * 9/1997 Snead 604/15
D436,661 S * 1/2001 Berry D24/141
D474,271 S * 5/2003 Iori et al. D24/119
D503,613 S * 4/2005 Yang D9/724
D515,207 S * 2/2006 Tarumi D24/114

D515,208 S * 2/2006 Tarumi D24/114
2005/0049572 A1 * 3/2005 Schweikert et al. 604/500
2008/0097286 A1 * 4/2008 Cleator et al. 604/48
2008/0228164 A1 * 9/2008 Nicoson et al. 604/506

OTHER PUBLICATIONS

Search Report for Indian Patent 209913, Jun. 18, 2007.
Search Report for Indian Patent 209914, Jun. 18, 2007.
Search Report for Indian Patent 209915, Jun. 18, 2007.

* cited by examiner

Primary Examiner—Ian Simmons

Assistant Examiner—Carissa C Fitts

(74) *Attorney, Agent, or Firm*—Merchant & Gould P.C.

(57) **CLAIM**

The ornamental design for an anal applicator, as shown and described.

DESCRIPTION

FIG. 1 is a perspective view of an anal applicator showing our new design;

FIG. 2 is another perspective view thereof;

FIG. 3 is a top plan view thereof;

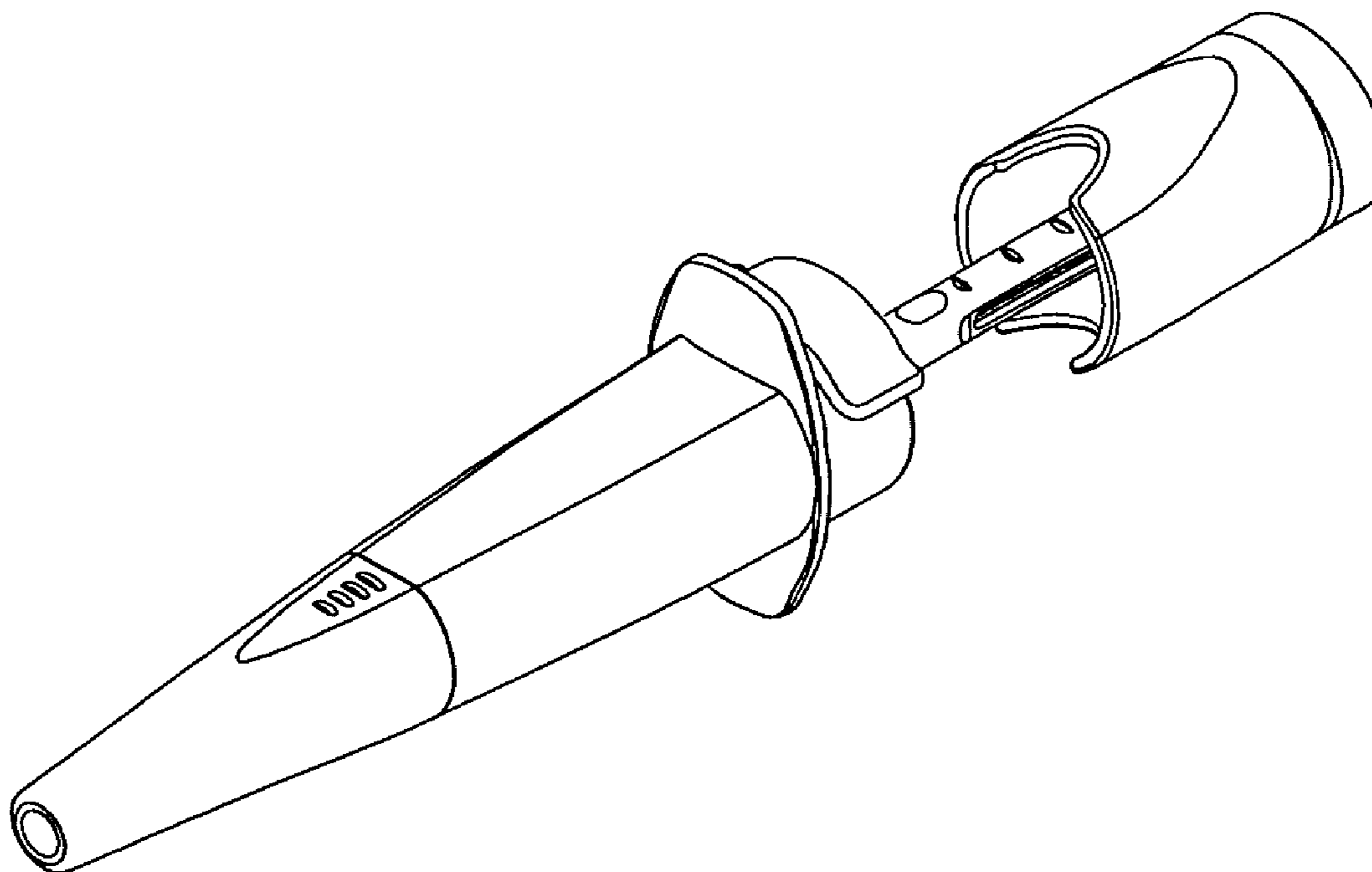
FIG. 4 is a front elevational view thereof;

FIG. 5 is a bottom plan view thereof;

FIG. 6 is a left side elevational view thereof; and,

FIG. 7 is a right side elevational view thereof.

1 Claim, 2 Drawing Sheets



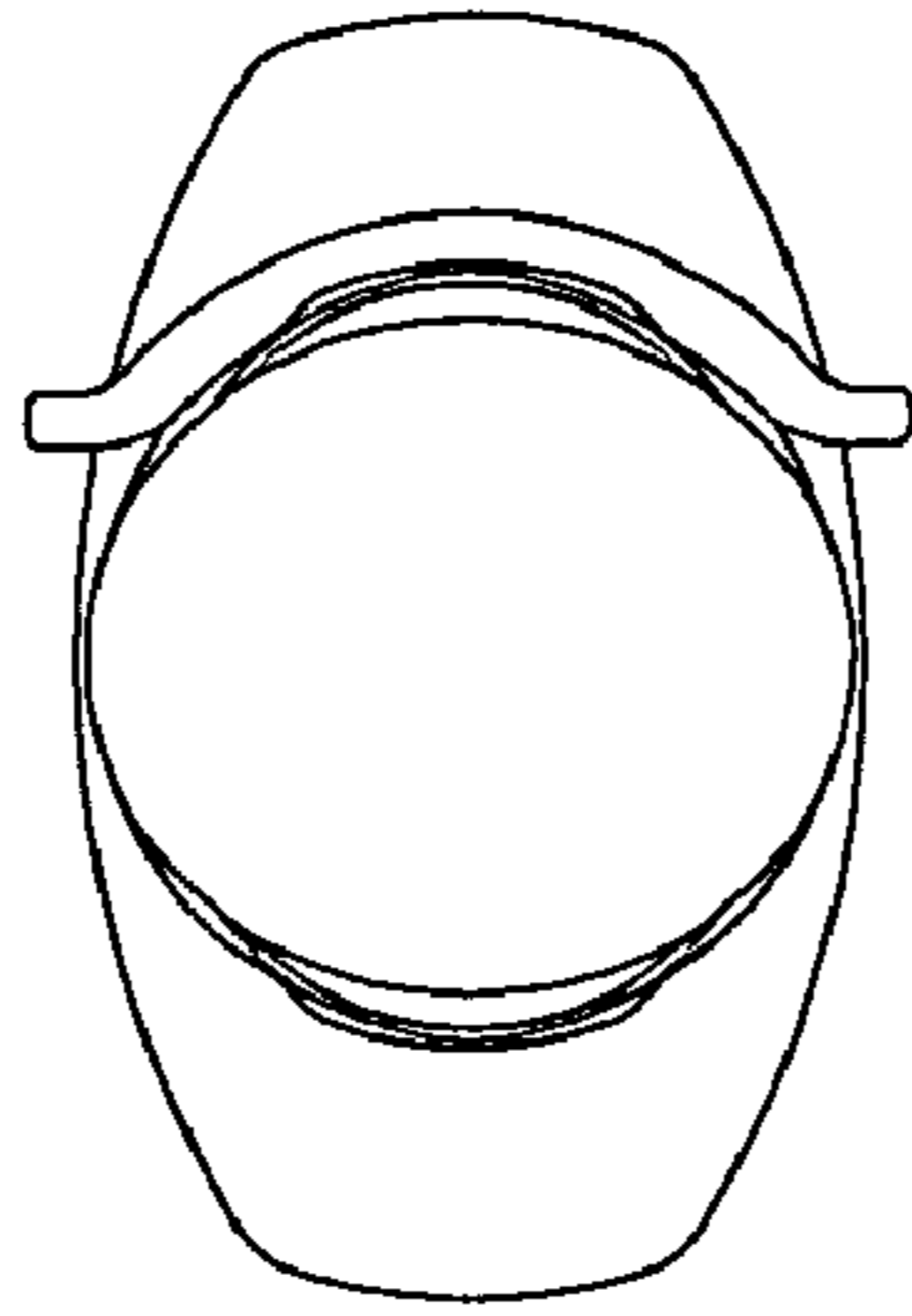


FIG. 7

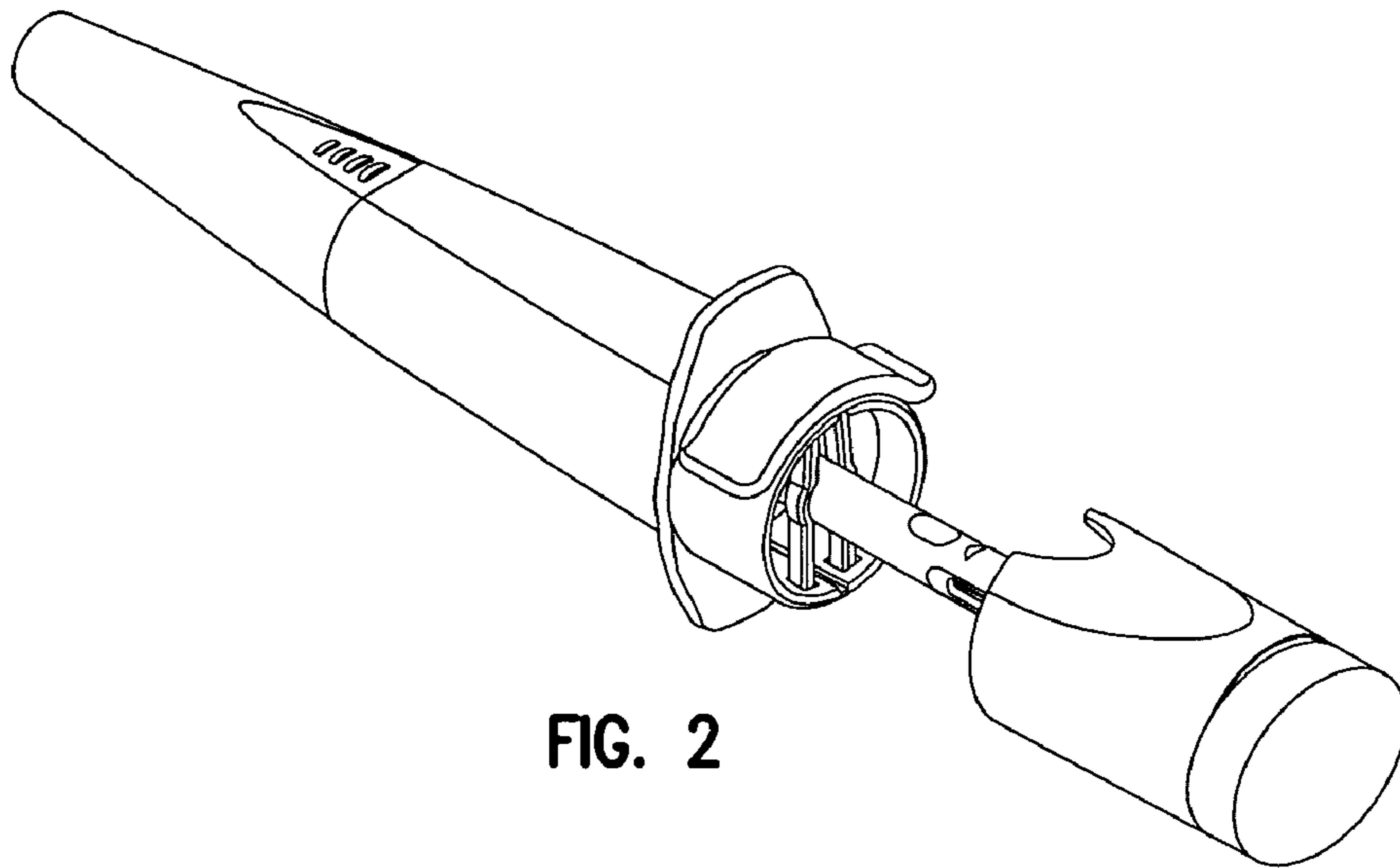


FIG. 2

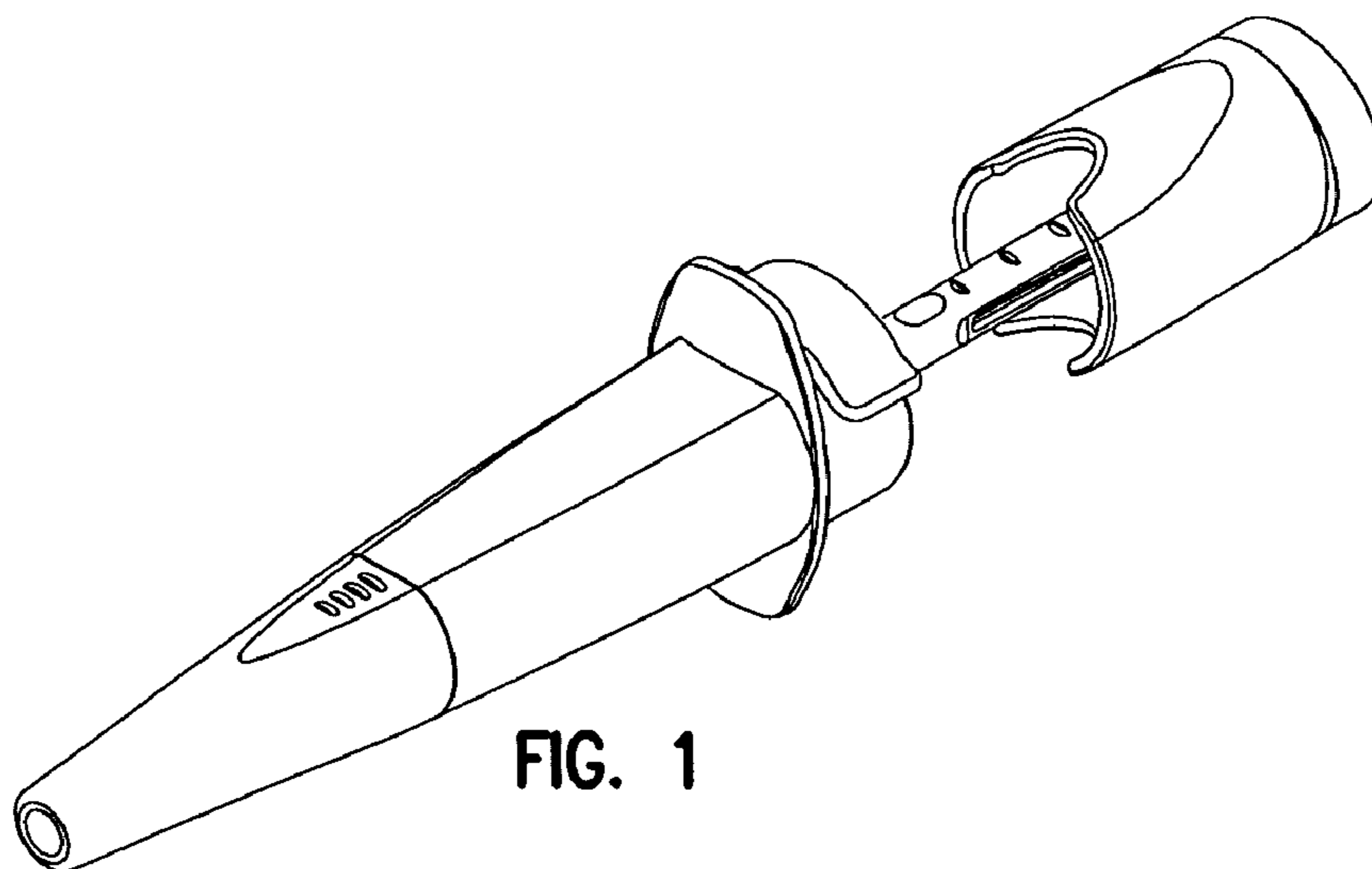


FIG. 1

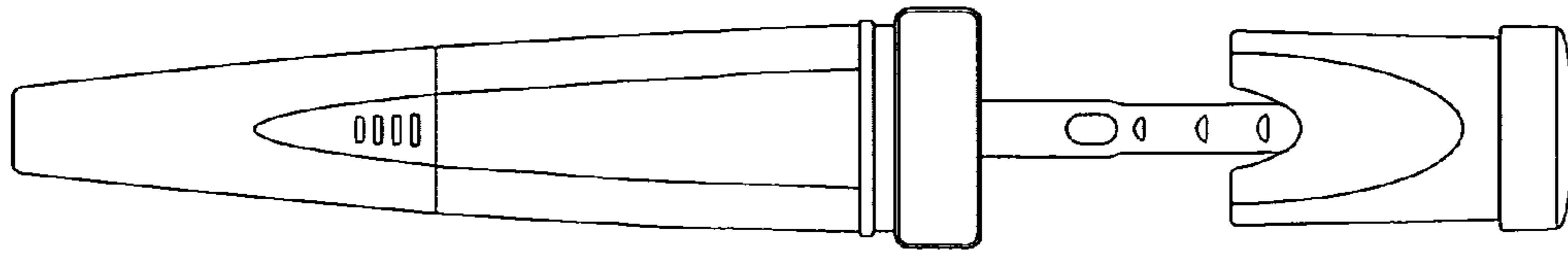


FIG. 3

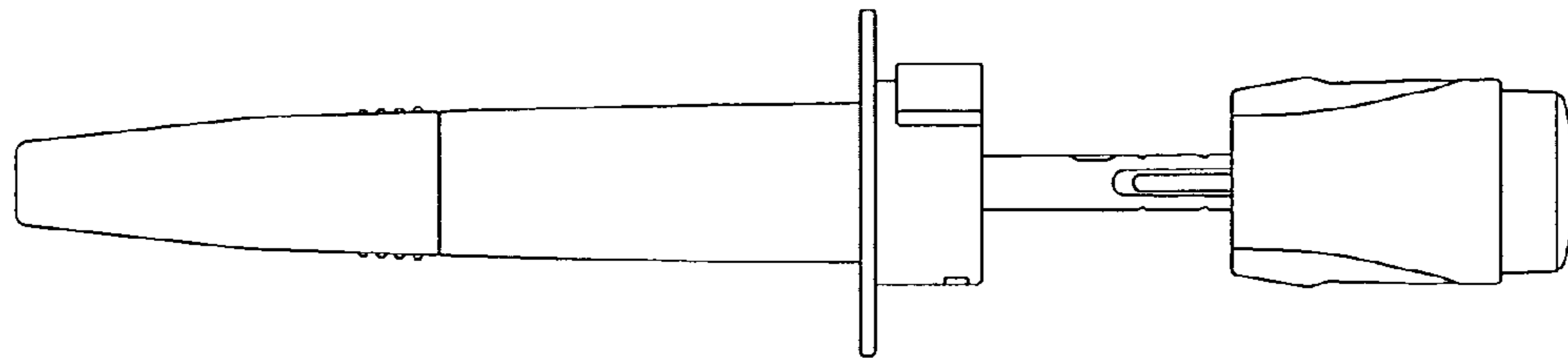


FIG. 4

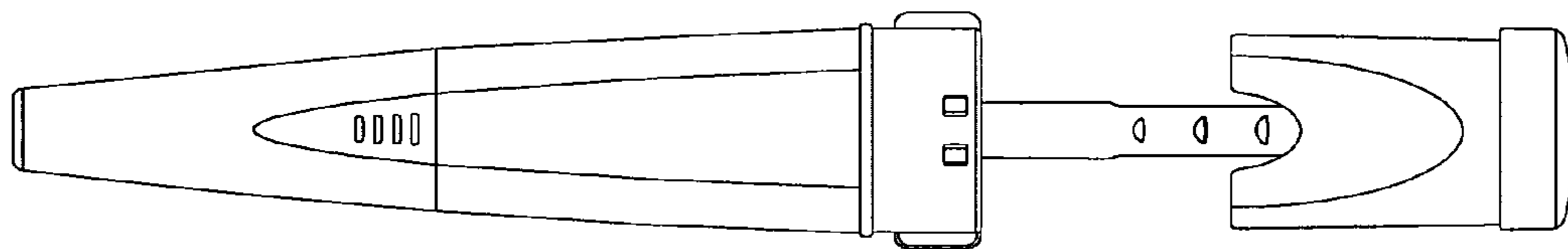


FIG. 5

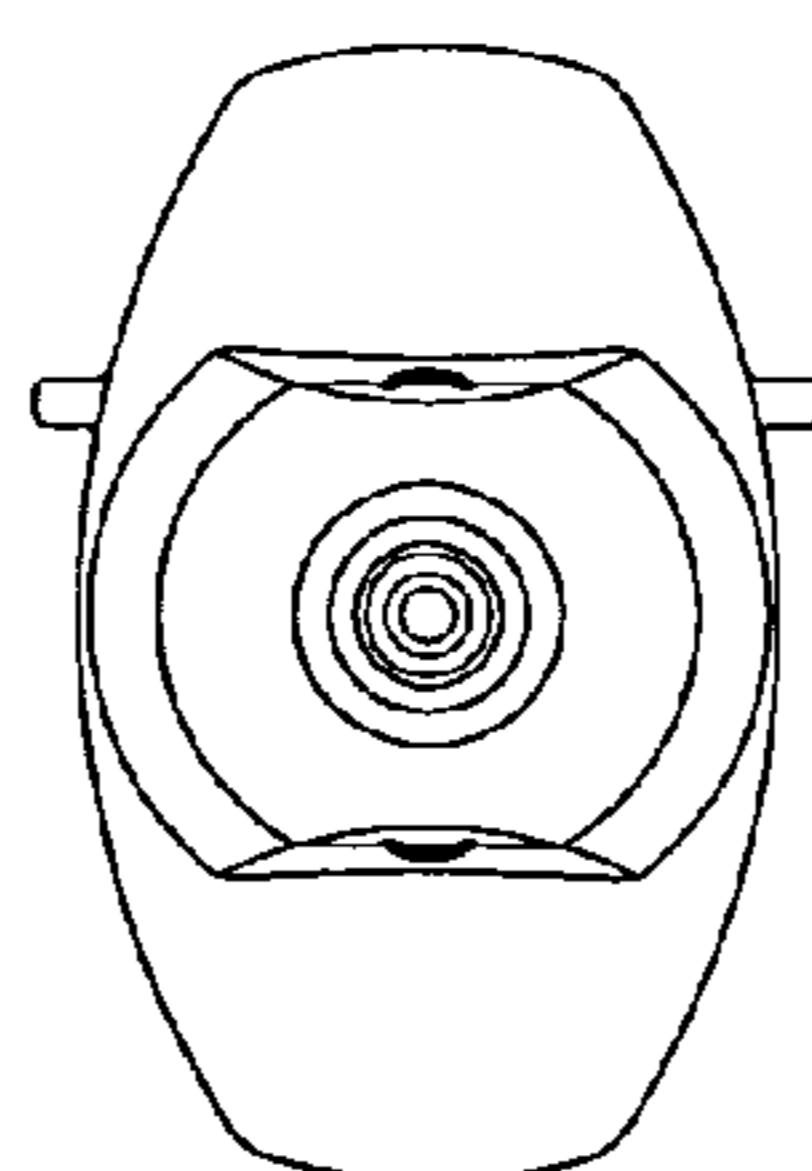


FIG. 6