

US00D587804S

(12) **United States Design Patent**  
**Ruiz et al.**

(10) **Patent No.:** **US D587,804 S**  
(45) **Date of Patent:** **\*\* Mar. 3, 2009**

(54) **ENDOSCOPE VIDEO CAMERA HEAD**

D501,864 S \* 2/2005 Greise et al. .... D16/219  
D523,455 S \* 6/2006 Greise et al. .... D16/202

(75) Inventors: **Angeli Mancuso Ruiz**, Santa Barbara, CA (US); **Marco A. Torres**, Oxnard, CA (US); **Thomas J. Anhalt**, Goleta, CA (US); **Edwin W. Field**, Lompoc, CA (US); **Greg M. Chambers**, San Louis Obispo, CA (US); **Barry Mirrer**, Santa Barbara, CA (US)

\* cited by examiner

*Primary Examiner*—Ian Simmons  
*Assistant Examiner*—Christopher Lee  
(74) *Attorney, Agent, or Firm*—St. Onge Steward Johnston & Reens LLC

(73) Assignee: **Karl Storz Imaging, Inc.**, Goleta, CA (US)

(57) **CLAIM**

The ornamental design for an endoscope video camera head, as shown and described.

(\*\*) Term: **14 Years**

**DESCRIPTION**

(21) Appl. No.: **29/303,018**

FIG. 1 is a front perspective view of a endoscope video camera head in accordance with the new design;

(22) Filed: **Jan. 30, 2008**

FIG. 2 is a left side view thereof;

(51) **LOC (9) Cl.** ..... **24-02**

FIG. 3 is a right side view thereof;

(52) **U.S. Cl.** ..... **D24/138**; D16/219; D16/202

FIG. 4 is a top view thereof;

(58) **Field of Classification Search** ..... D24/138, D24/133, 140; D10/78; D16/202, 219; 600/101, 600/109, 110, 118, 122, 131, 132, 182  
See application file for complete search history.

FIG. 5 is a bottom view thereof;

FIG. 6 is a front view thereof; and,

FIG. 7 is a rear view thereof.

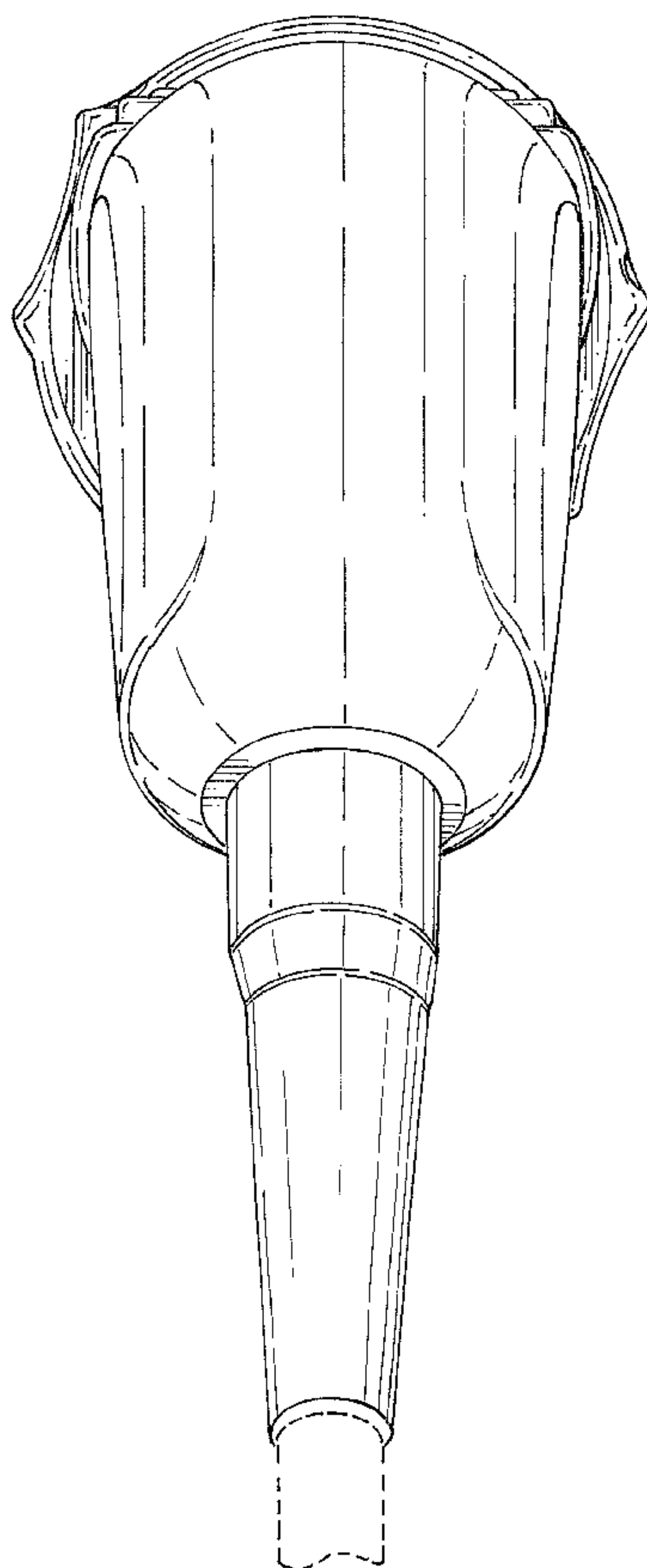
The broken line showing is for illustrative purposes only and forms no part of the claimed design.

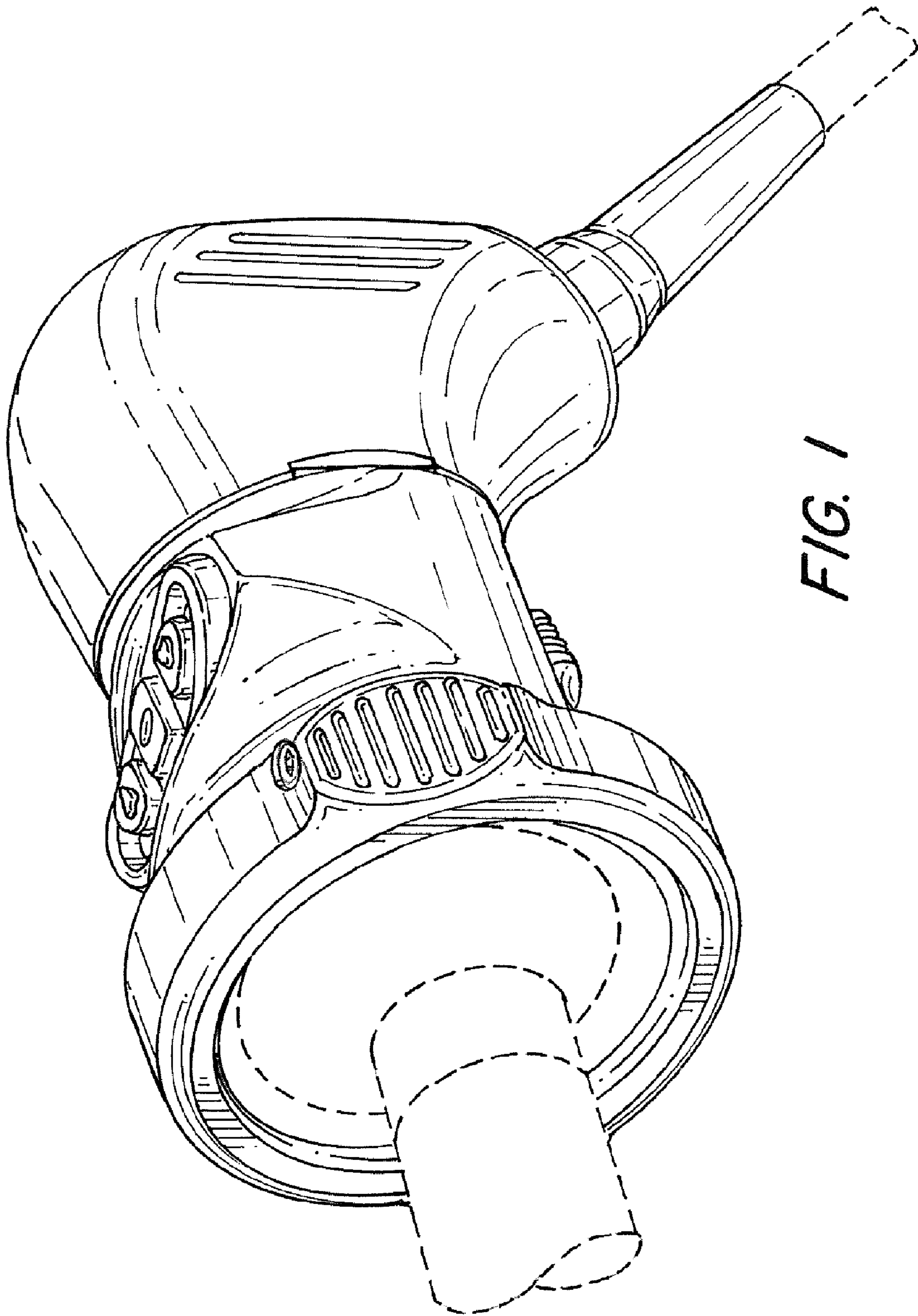
(56) **References Cited**

**U.S. PATENT DOCUMENTS**

D474,276 S \* 5/2003 Greise et al. .... D16/219

**1 Claim, 7 Drawing Sheets**





*FIG. 1*

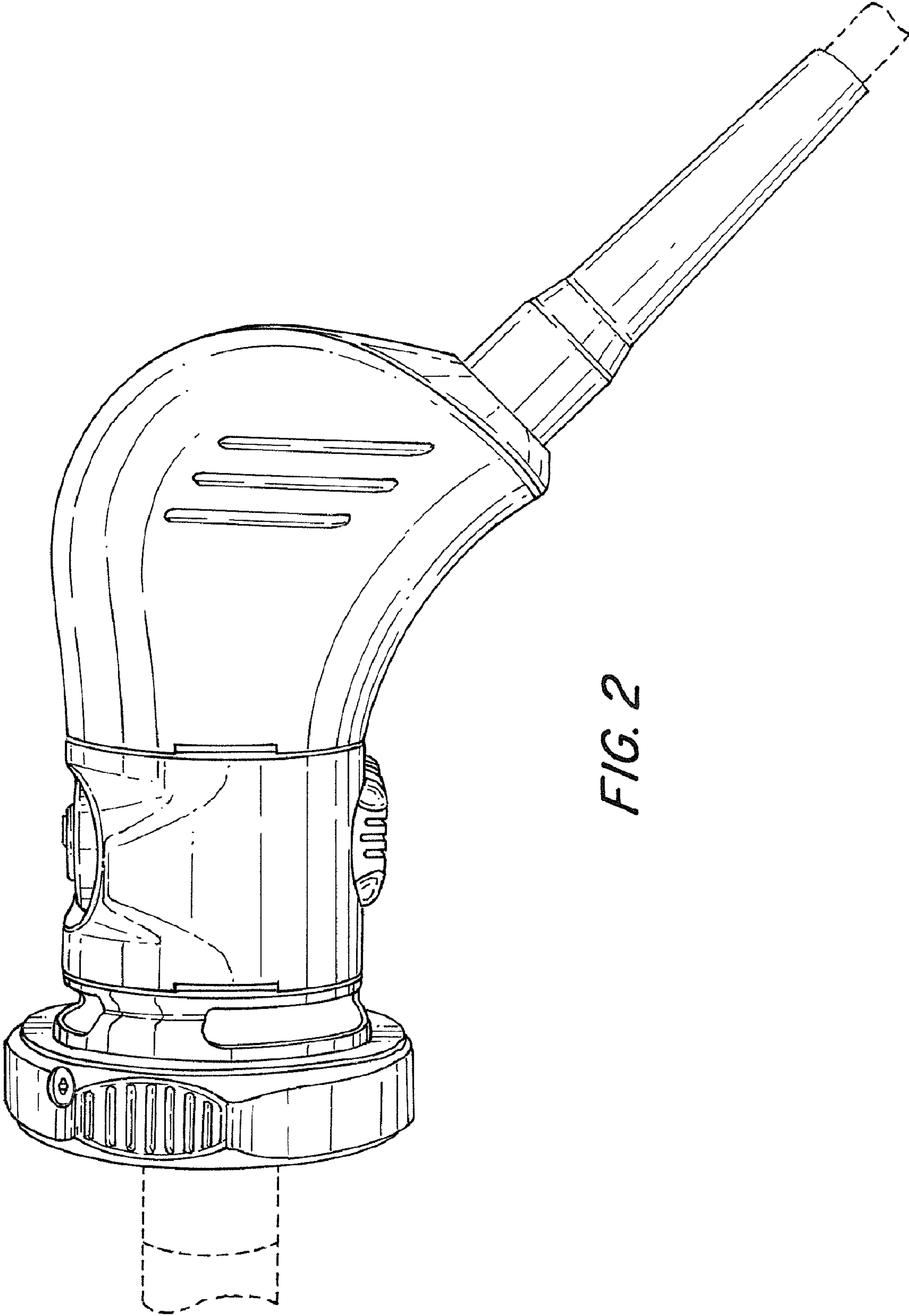


FIG. 2

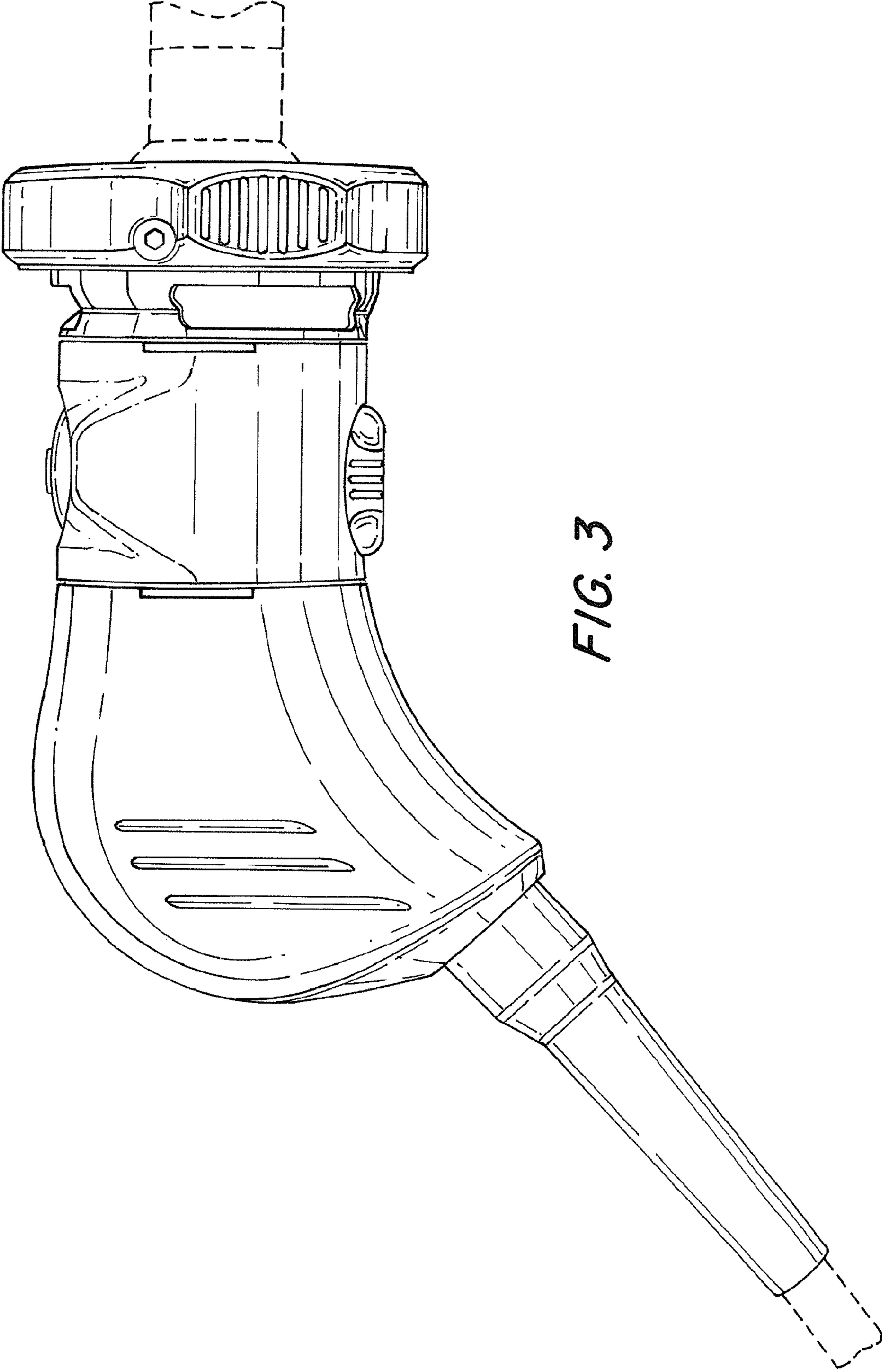


FIG. 3



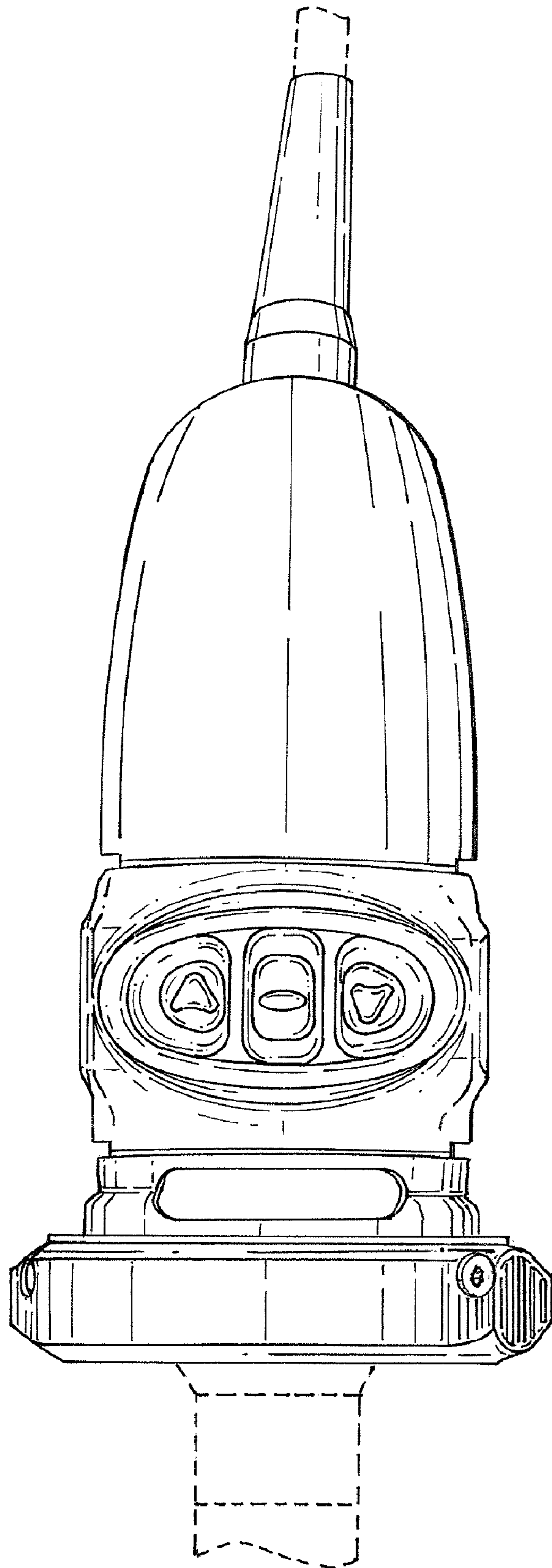


FIG. 4

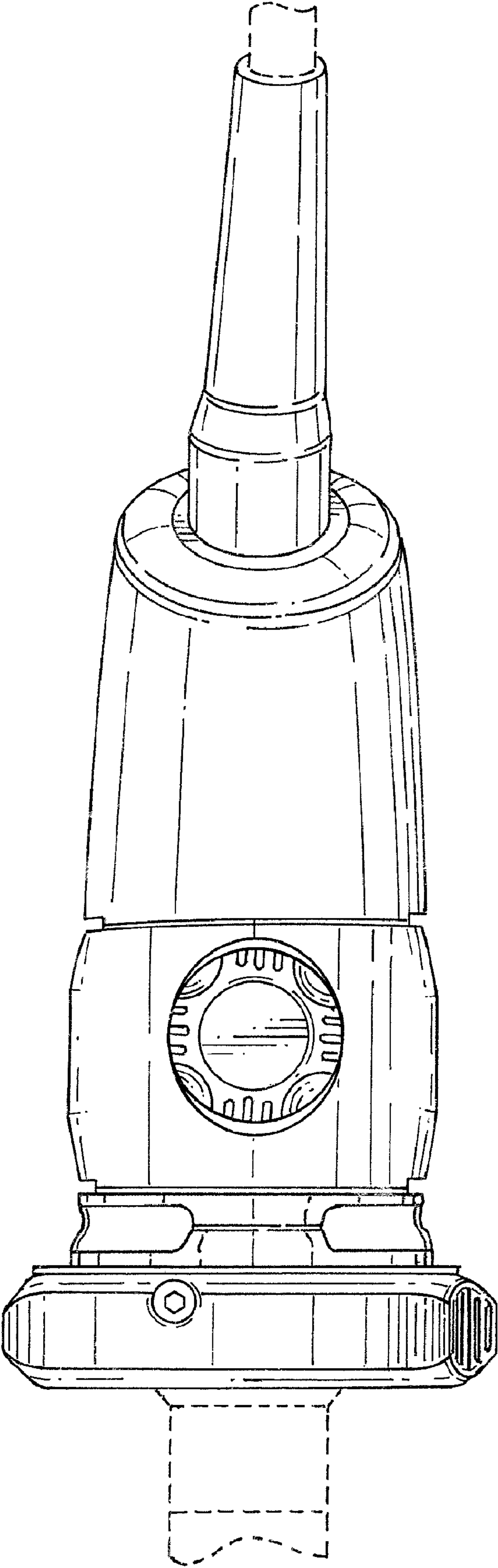
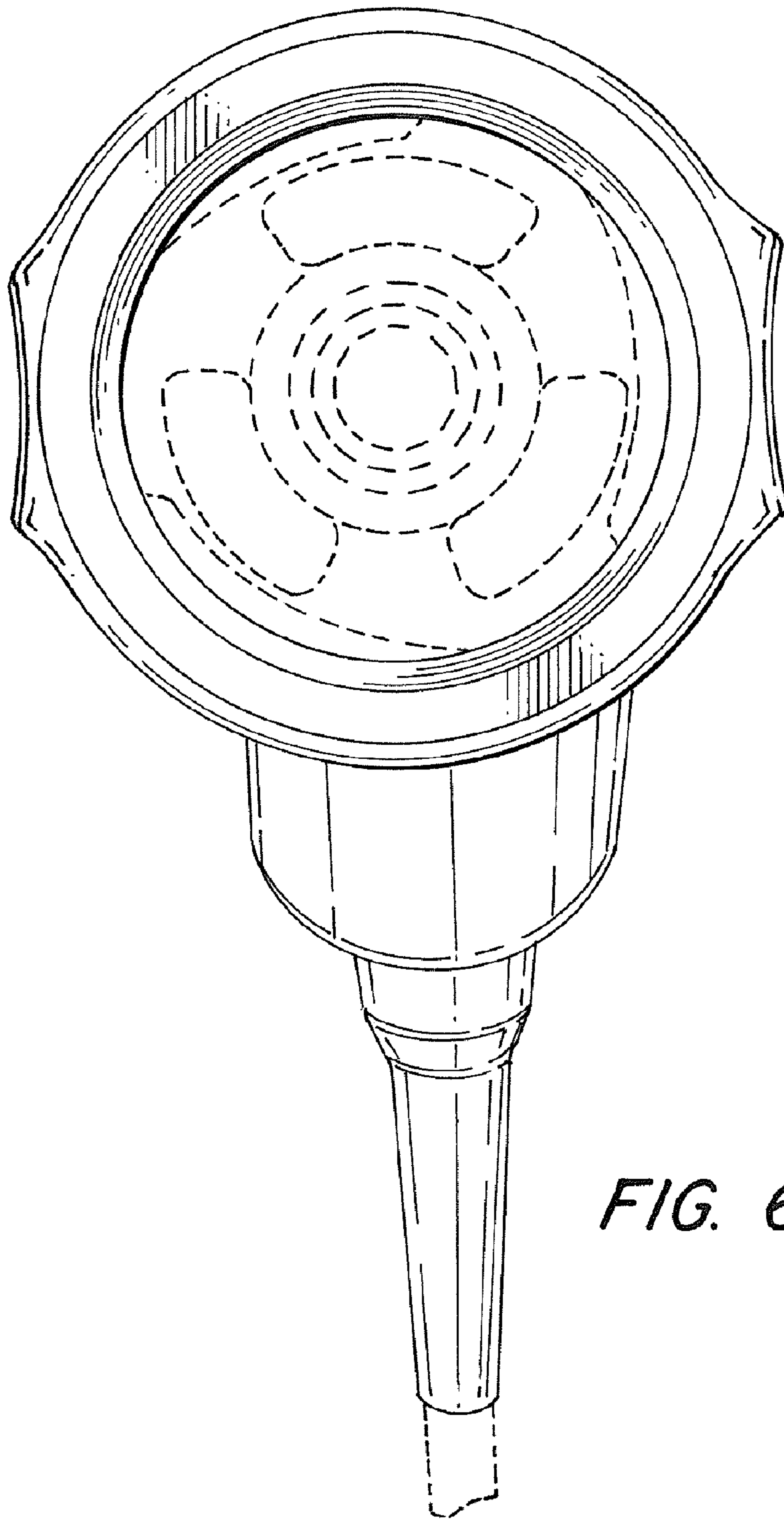
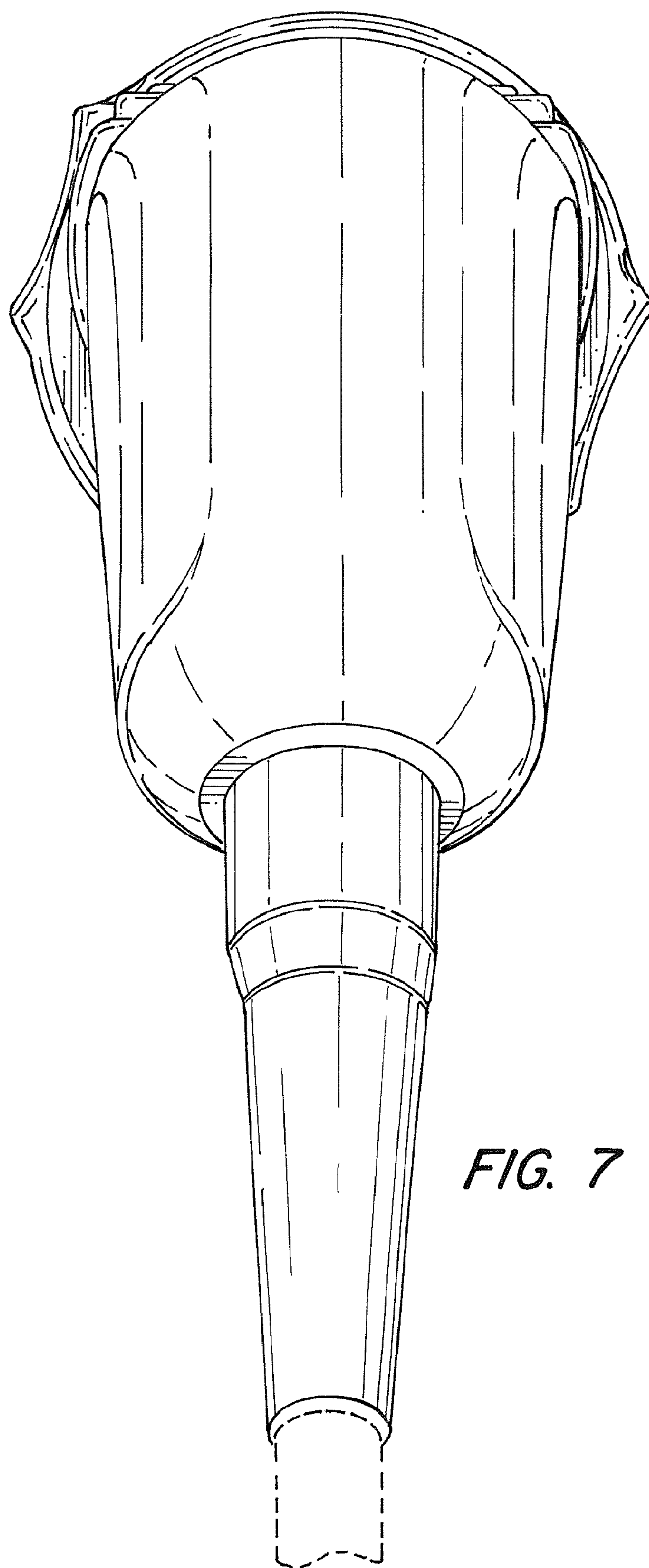


FIG. 5



*FIG. 6*



*FIG. 7*