



US00D587801S

(12) **United States Design Patent**
Chu et al.

(10) **Patent No.:** **US D587,801 S**
(45) **Date of Patent:** **** Mar. 3, 2009**

(54) **FOREHEAD SUPPORT FRAME COMPONENT FOR A PATIENT INTERFACE**

2003/0005931 A1 1/2003 Jaffre
2004/0118406 A1 6/2004 Lithgow et al.
2005/0172969 A1 8/2005 Ging
2006/0231103 A1 10/2006 Matula

(75) Inventors: **Vincent Chu**, Little Bay (AU); **Joshua Adam Gudiksen**, Picton (AU); **Scott Alexander Howard**, Harbord (AU); **Susan Robyn Lynch**, Epping (AU); **Eva Ng**, Double Bay (AU)

FOREIGN PATENT DOCUMENTS

WO 2005/018523 3/2005
WO 2005/021075 3/2005
WO 2005032634 4/2005

(73) Assignee: **ResMed Limited**, Bella Vista (AU)

OTHER PUBLICATIONS

(**) Term: **14 Years**

Stallard et al., U.S. Appl. No. 29/251,703, filed Jan. 12, 2006.
Veliss et al., U.S. Appl. No. 29/268,731, filed Nov. 13, 2006.
Stallard et al., U.S. Appl. No. 29/268,823, filed Nov. 14, 2006.
Stallard et al., U.S. Appl. No. 29/240,923, filed Sep. 26, 2005.
Stallard et al., U.S. Appl. No. 29/251,711, filed Jan. 12, 2006.
Stallard et al., U.S. Appl. No. 29/272,801, filed Feb. 20, 2007.

(21) Appl. No.: **29/261,578**

(22) Filed: **Jun. 16, 2006**

(51) **LOC (9) Cl.** **29-02**

(52) **U.S. Cl.** **D24/110.1; D24/110.4; D24/110.5**

(58) **Field of Classification Search** **D24/110.1, D24/110.4, 110.5, 164; 128/205.25, 206.27, 128/207.11, 206.26, 207.17, 207.13, 206.21, 128/204.18, 206.12**

See application file for complete search history.

Primary Examiner—Ian Simmons

Assistant Examiner—Christopher Lee

(74) *Attorney, Agent, or Firm*—Nixon & Vanderhye P.C.

(57) **CLAIM**

The ornamental design for a forehead support frame component for a patient interface, as shown and described.

(56) **References Cited**

DESCRIPTION

U.S. PATENT DOCUMENTS

D428,139 S 7/2000 Smart
D430,663 S 9/2000 Smart
6,374,826 B1 4/2002 Gunaratnam
D459,800 S 7/2002 Smart
D464,427 S 10/2002 Smart
D464,728 S 10/2002 Paul
D468,421 S 1/2003 Smart
6,581,594 B1 6/2003 Drew
D486,907 S 2/2004 Guney
D493,885 S 8/2004 Raje
6,860,269 B2 3/2005 Kwok et al.
D519,207 S 4/2006 Raje et al.
D534,274 S 12/2006 Smart

FIG. 1 is a front perspective view of a forehead support frame component for a patient interface showing our design;

FIG. 2 is front view thereof;

FIG. 3 is a rear view thereof;

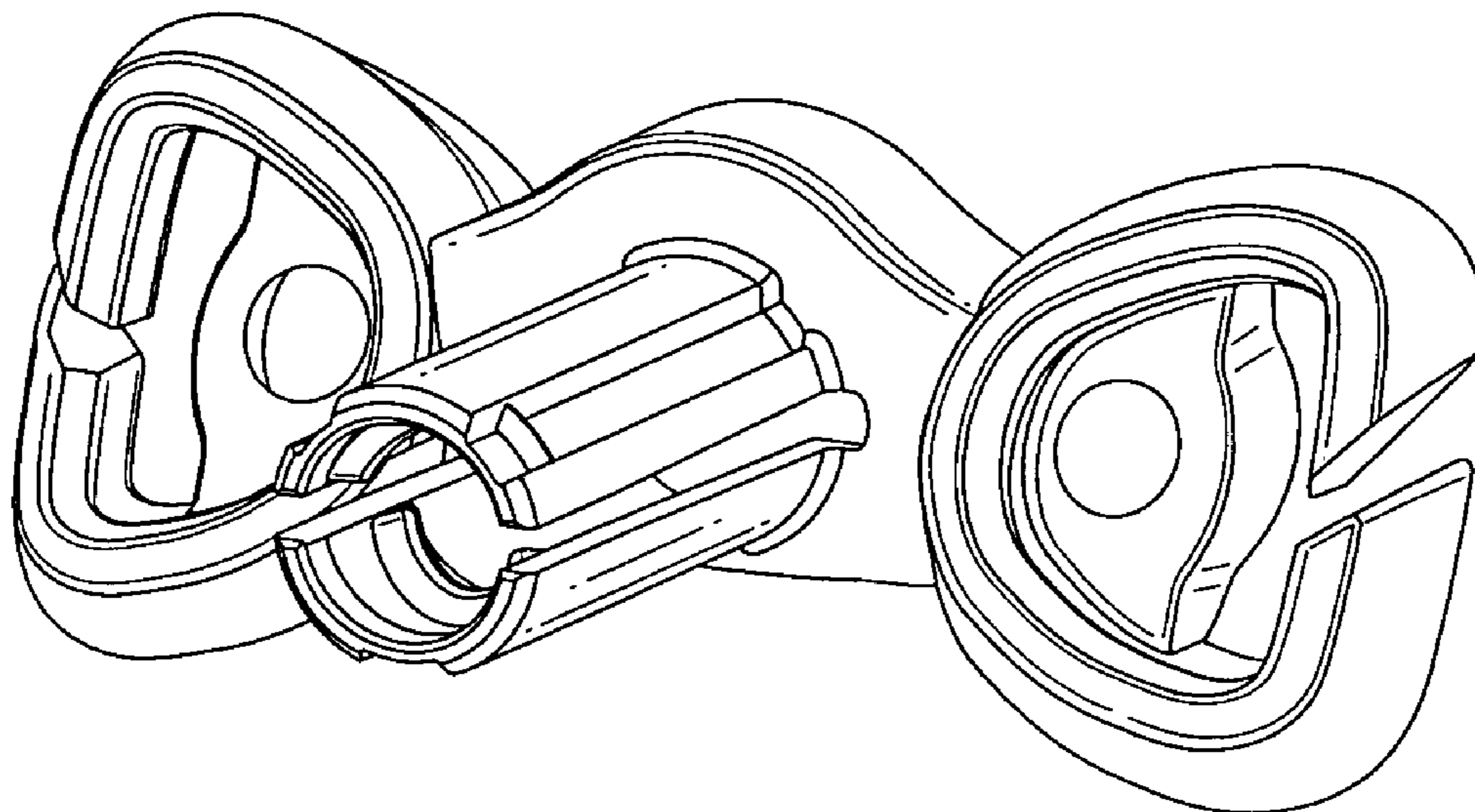
FIG. 4 is a top view thereof;

FIG. 5 is a bottom view thereof;

FIG. 6 is a right side view thereof with the left side view being a mirror image thereof; and,

FIG. 7 is a reverse perspective view thereof.

1 Claim, 3 Drawing Sheets



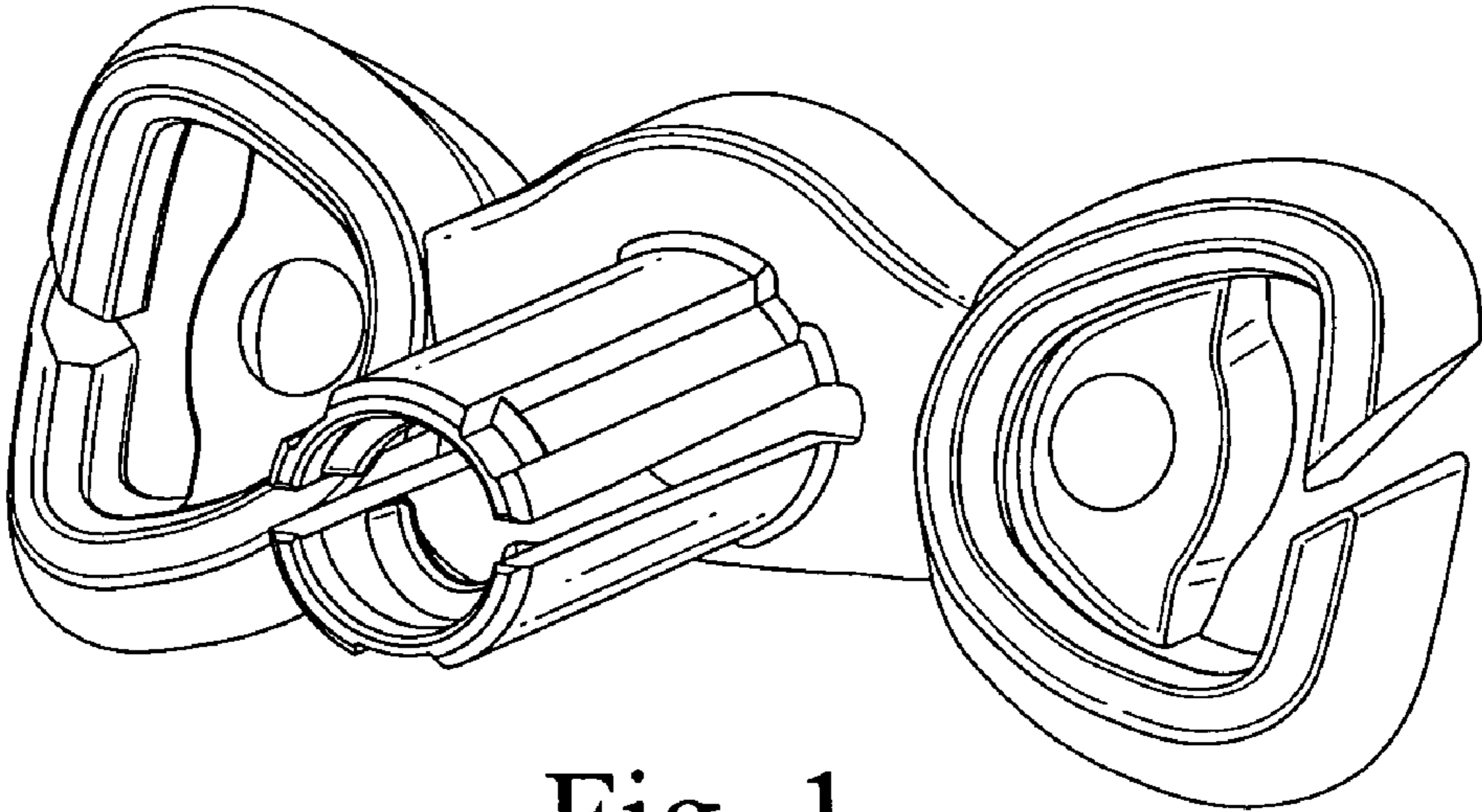


Fig. 1

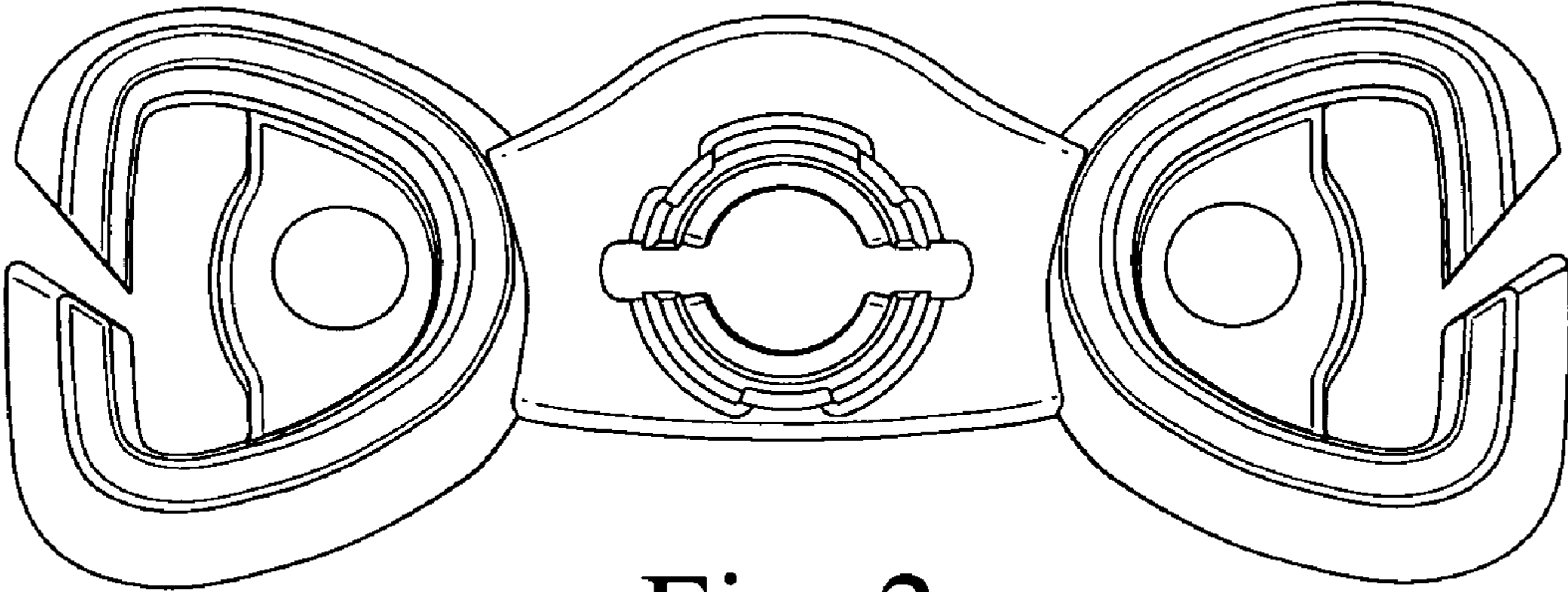


Fig. 2

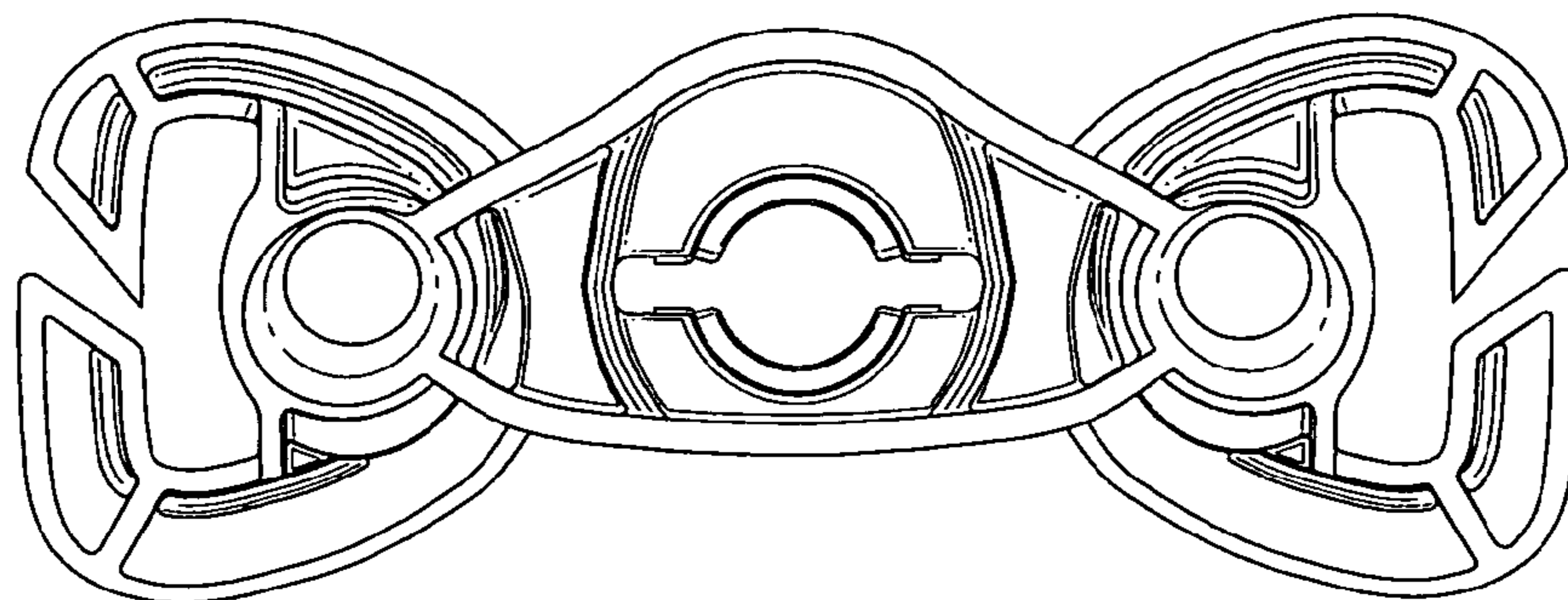


Fig. 3

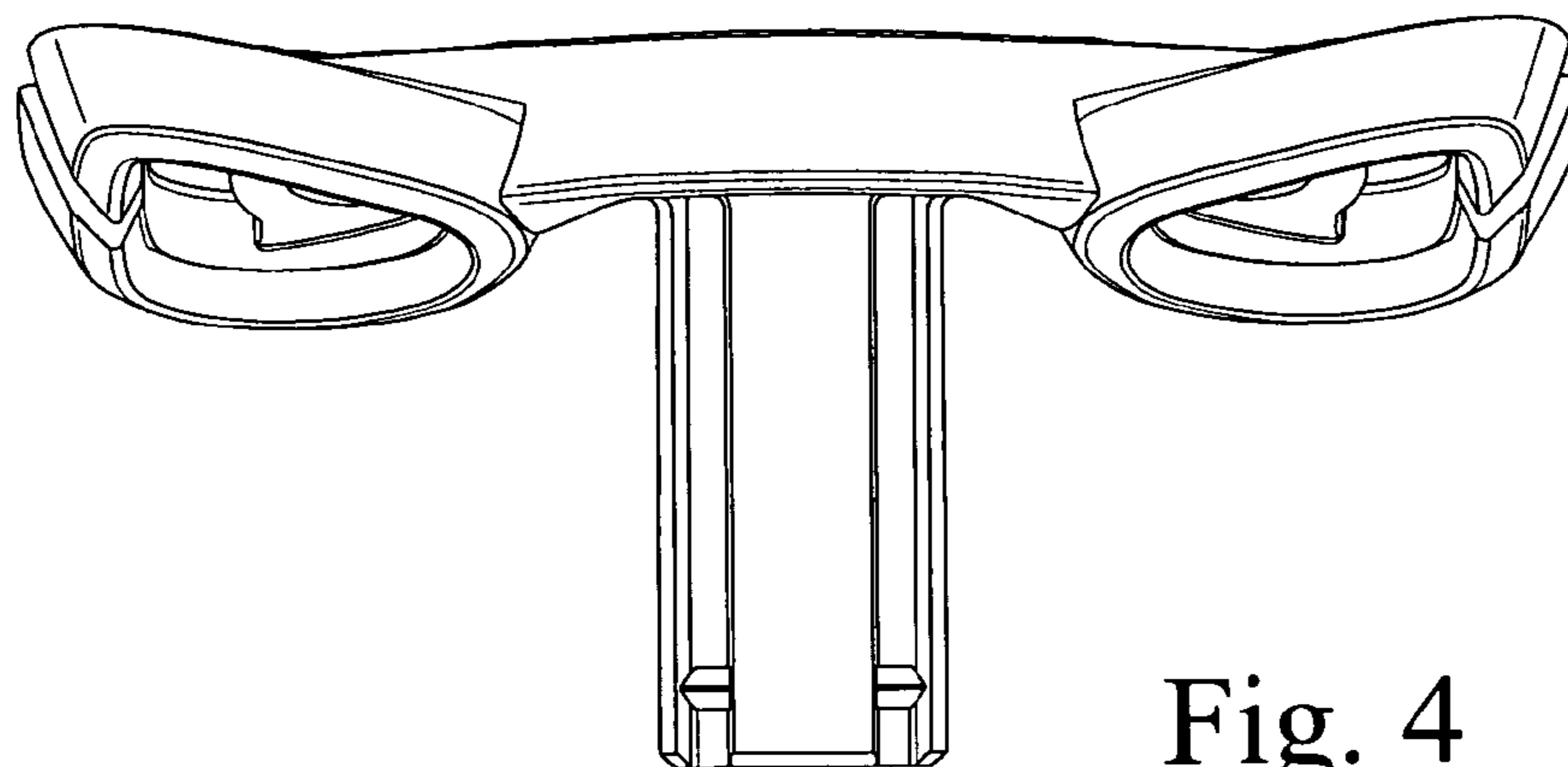


Fig. 4

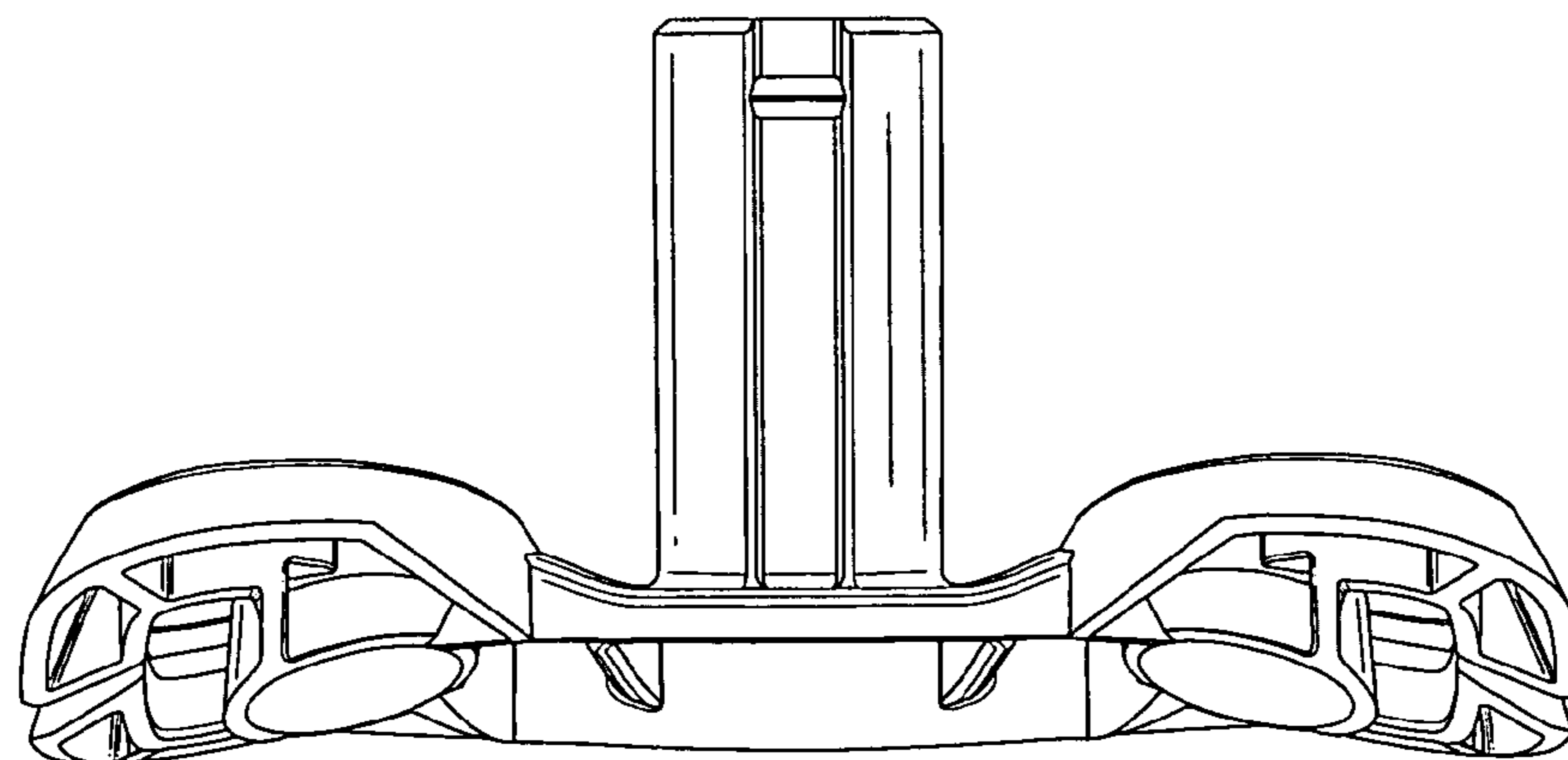


Fig. 5

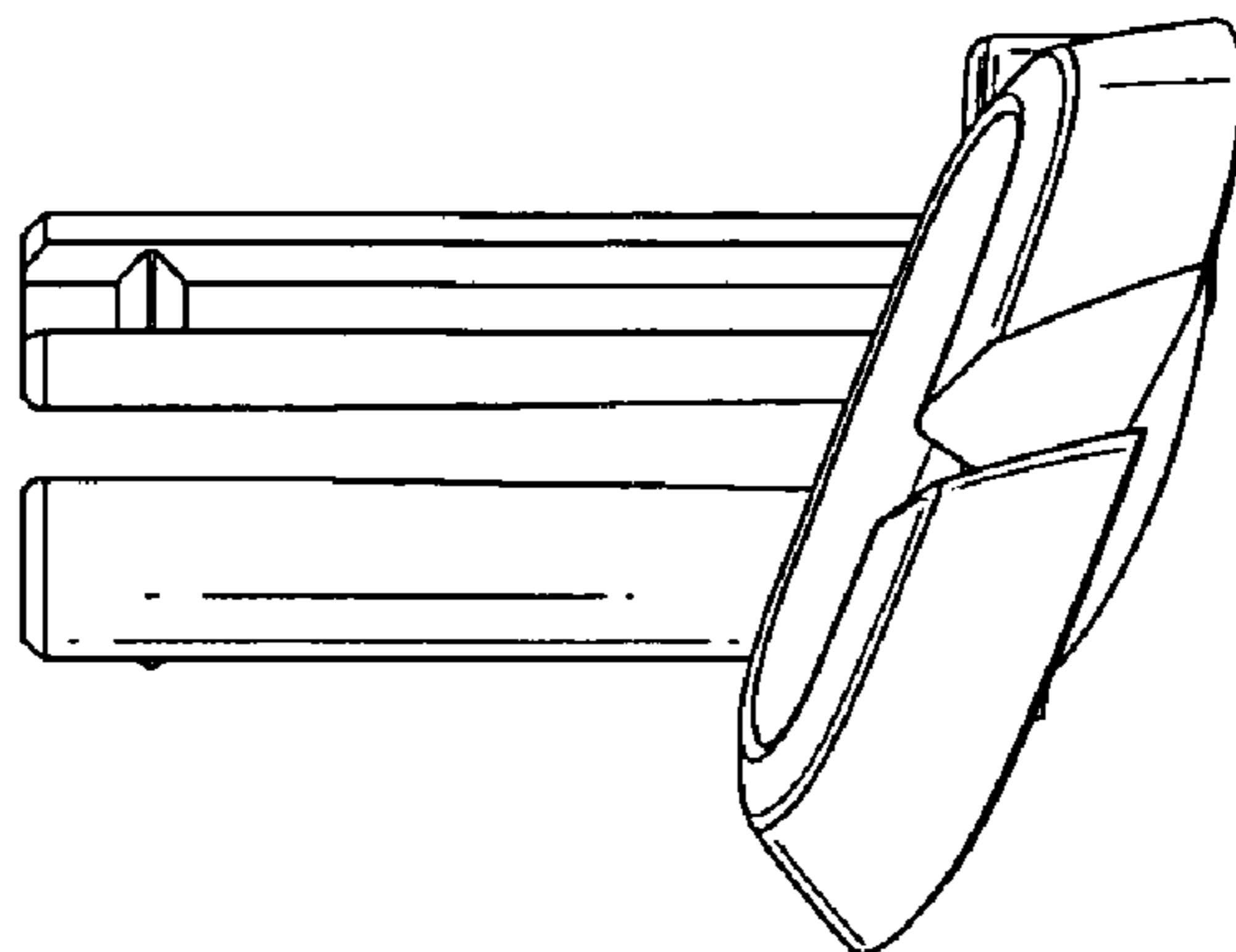


Fig. 6

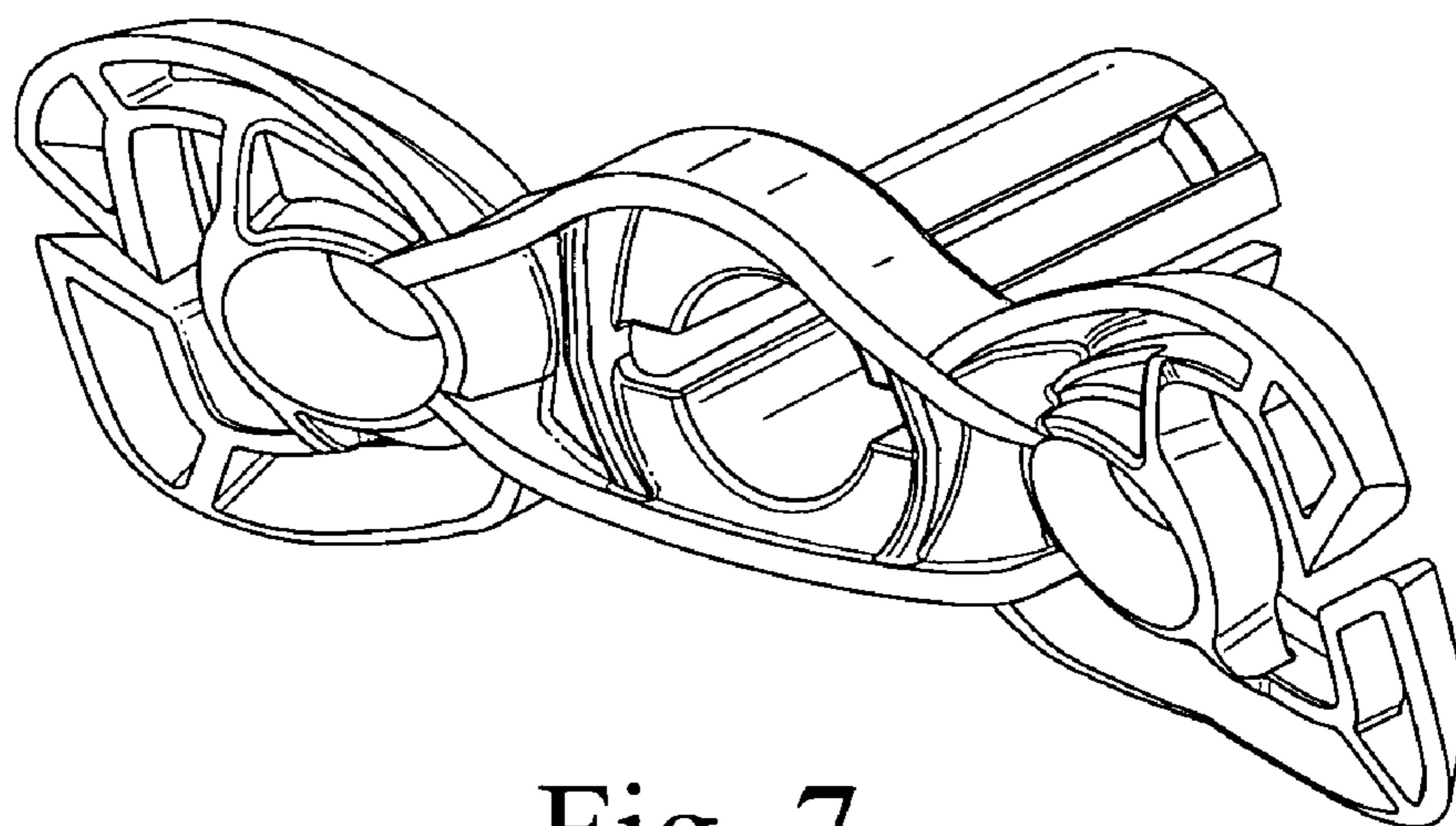


Fig. 7