



US00D587800S

(12) **United States Design Patent**
Judson et al.

(10) **Patent No.:** **US D587,800 S**
(45) **Date of Patent:** **** Mar. 3, 2009**

(54) **RESPIRATORY MASK CUSHION FRAME**

(75) Inventors: **Daniel Robert Judson**, Lapstone (AU);
Aaron Samuel Davidson, Newport
(AU); **Lee James Veliss**, West Ryde
(AU)

(73) Assignee: **ResMed Limited**, Bella Vista (AU)

(**) Term: **14 Years**

(21) Appl. No.: **29/258,084**

(22) Filed: **Apr. 14, 2006**

(51) **LOC (9) Cl.** **29-02**

(52) **U.S. Cl.** **D24/110.1; D24/110.4;**
D24/110.5

(58) **Field of Classification Search** .. D24/110.1-110.5;
128/207.18, 207.13, 207.11, 206.21, 206.11,
128/206.12, 200.24, 205.25, 204.18, 204.23
See application file for complete search history.

(56) **References Cited**

U.S. PATENT DOCUMENTS

2,763,263	A	9/1956	Ellman
3,513,844	A	5/1970	Smith
4,782,832	A	11/1988	Trimble
6,119,694	A	9/2000	Correa
6,431,172	B1	8/2002	Bordewick
6,595,215	B2	7/2003	Wood
D557,800	S	12/2007	Hitchcock et al.

2003/0196655 A1 10/2003 Ging
2005/0011524 A1 1/2005 Thomlinson
2005/0241644 A1 11/2005 Gunaratnam

OTHER PUBLICATIONS

Gunaratnam, U.S. Appl. No. 29/213,882, filed May 2004.
Judson et al., U.S. Appl. No. 29/258,083, filed Apr. 14, 2006.
Judson et al., U.S. Appl. No. 29/258,085, filed Apr. 14, 2006.

Primary Examiner—Ian Simmons
Assistant Examiner—Christopher Lee

(74) *Attorney, Agent, or Firm*—Nixon & Vanderhye P.C.

(57) **CLAIM**

The ornamental design for a respiratory mask cushion frame,
as shown and described.

DESCRIPTION

FIG. 1 is a rear perspective view of a respiratory mask cushion
frame showing our design;

FIG. 2 is a reverse perspective view thereof;

FIG. 3 is a front view thereof;

FIG. 4 is a rear view thereof;

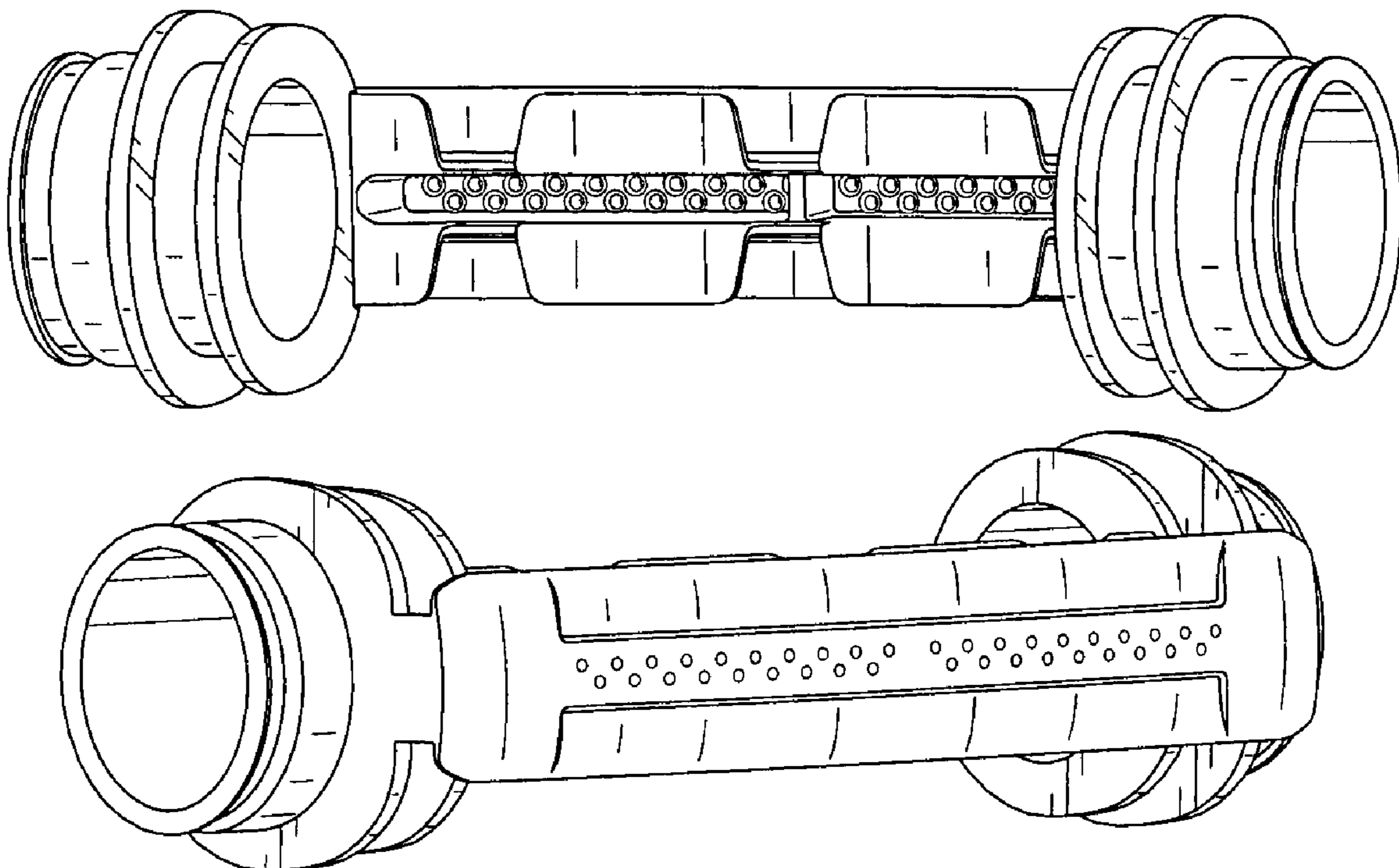
FIG. 5 is a top view thereof;

FIG. 6 is a bottom view thereof;

FIG. 7 is a left side view thereof; and,

FIG. 8 is a right side view thereof.

1 Claim, 4 Drawing Sheets



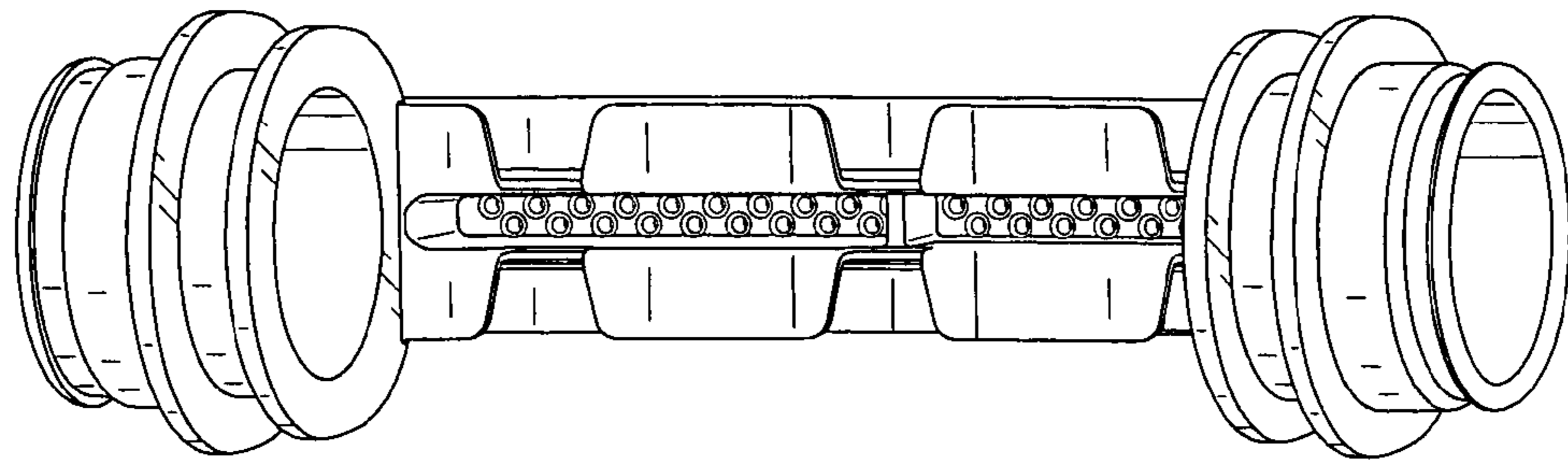


Fig. 1

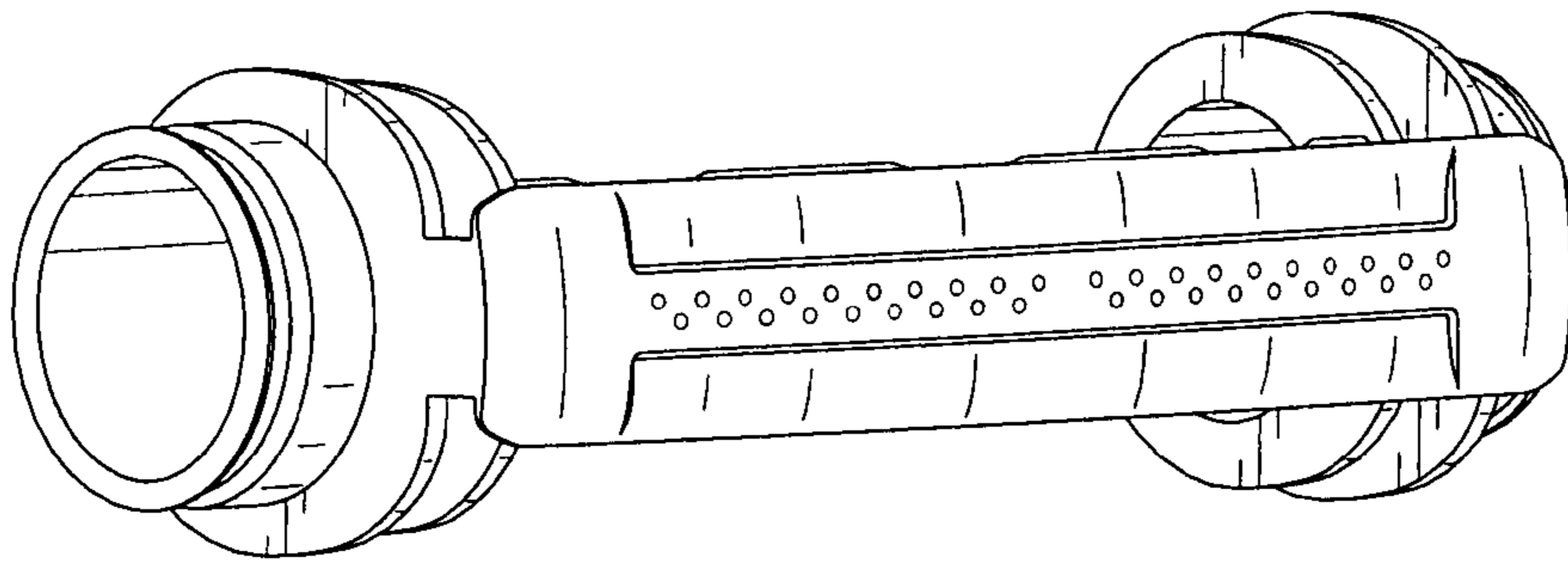


Fig. 2

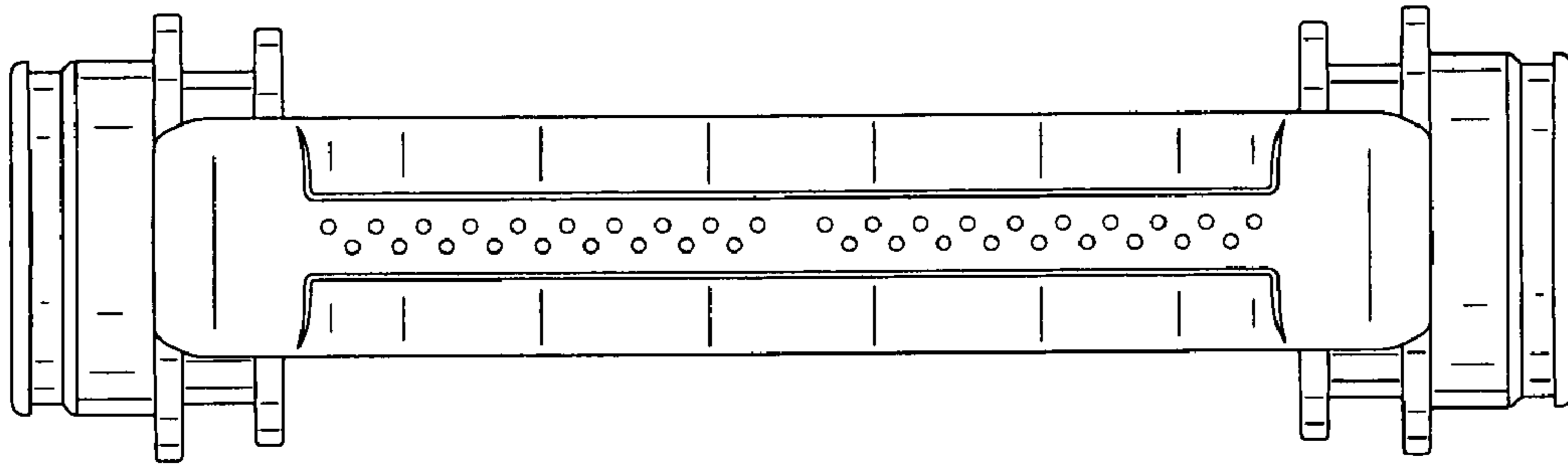


Fig. 3

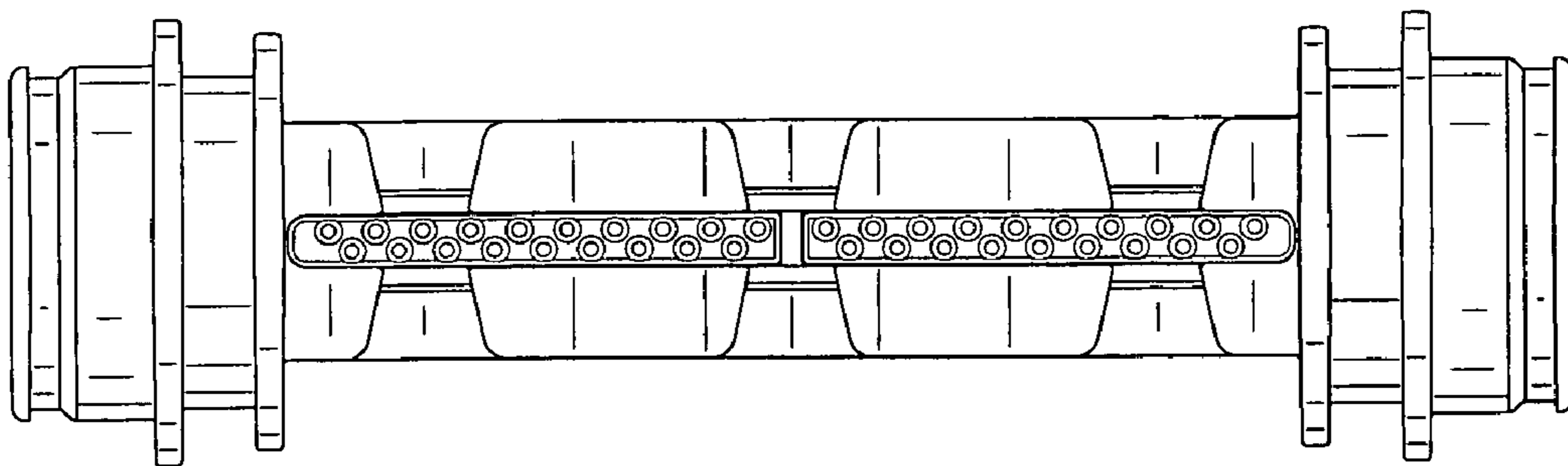


Fig. 4

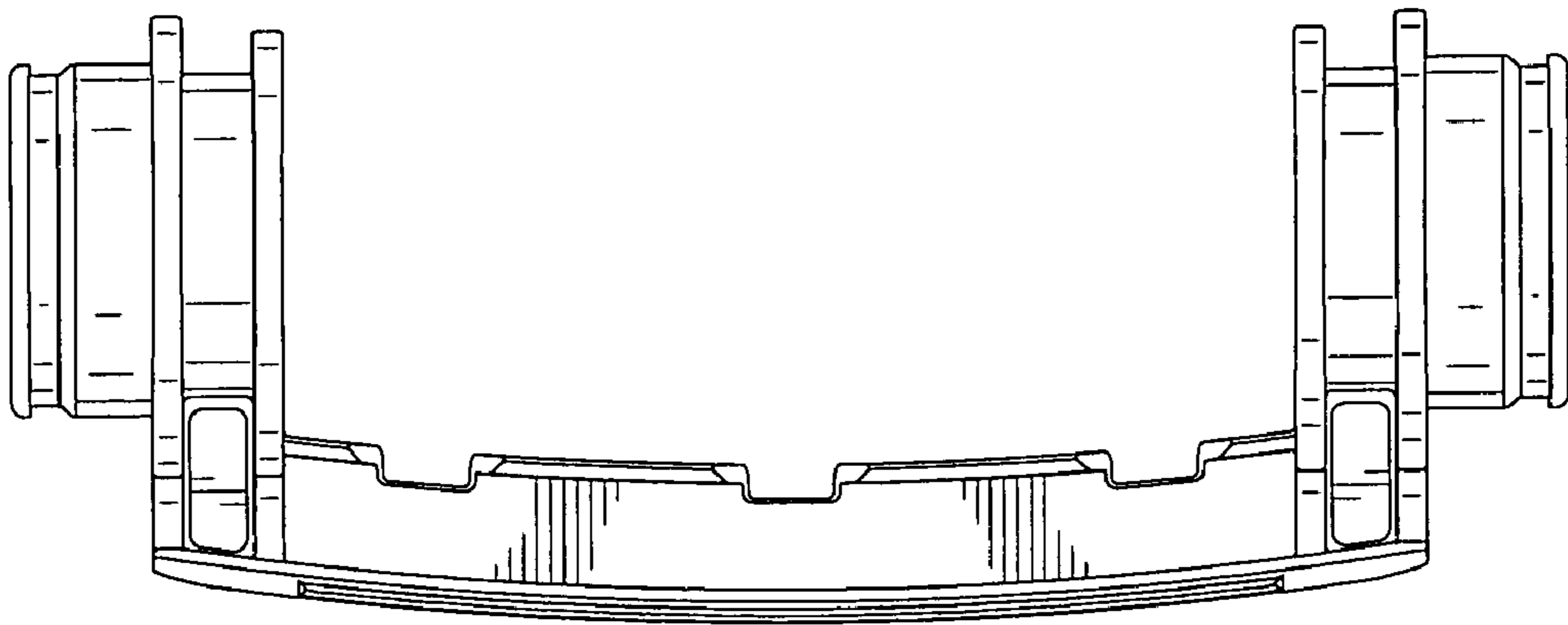


Fig. 5

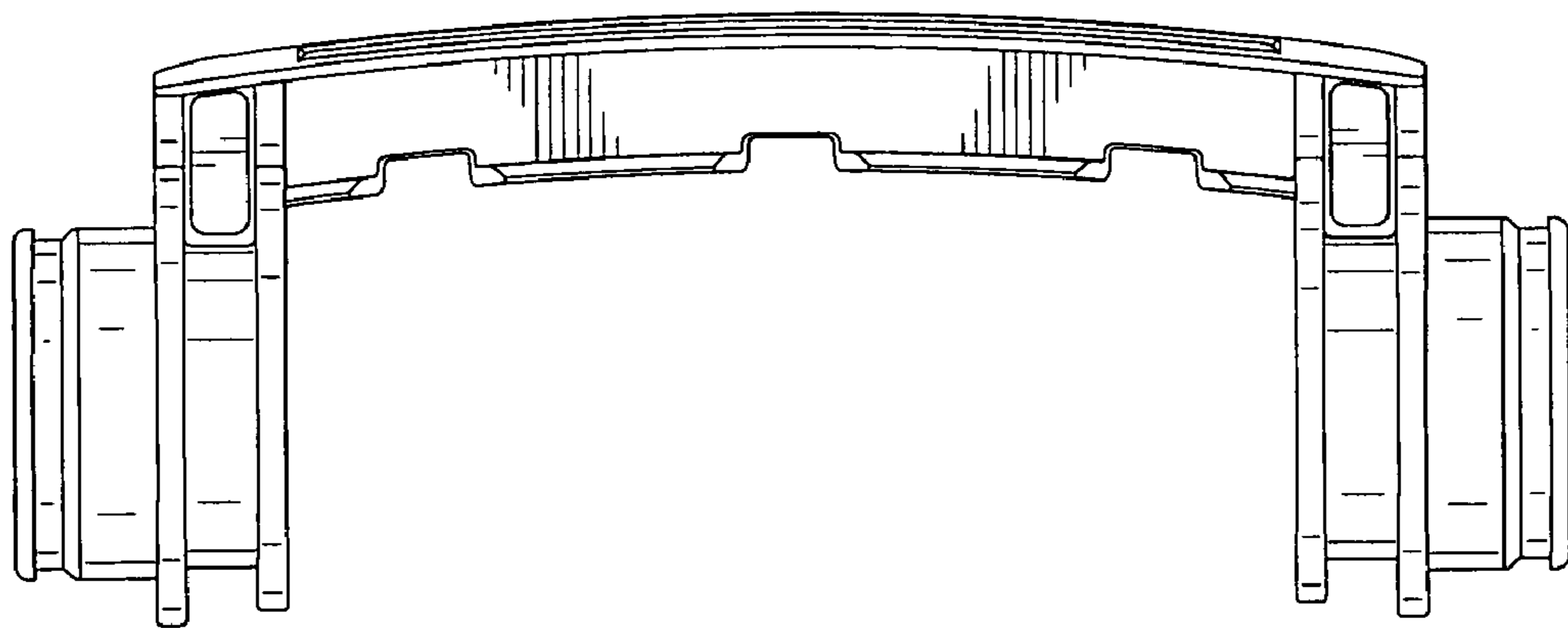


Fig. 6

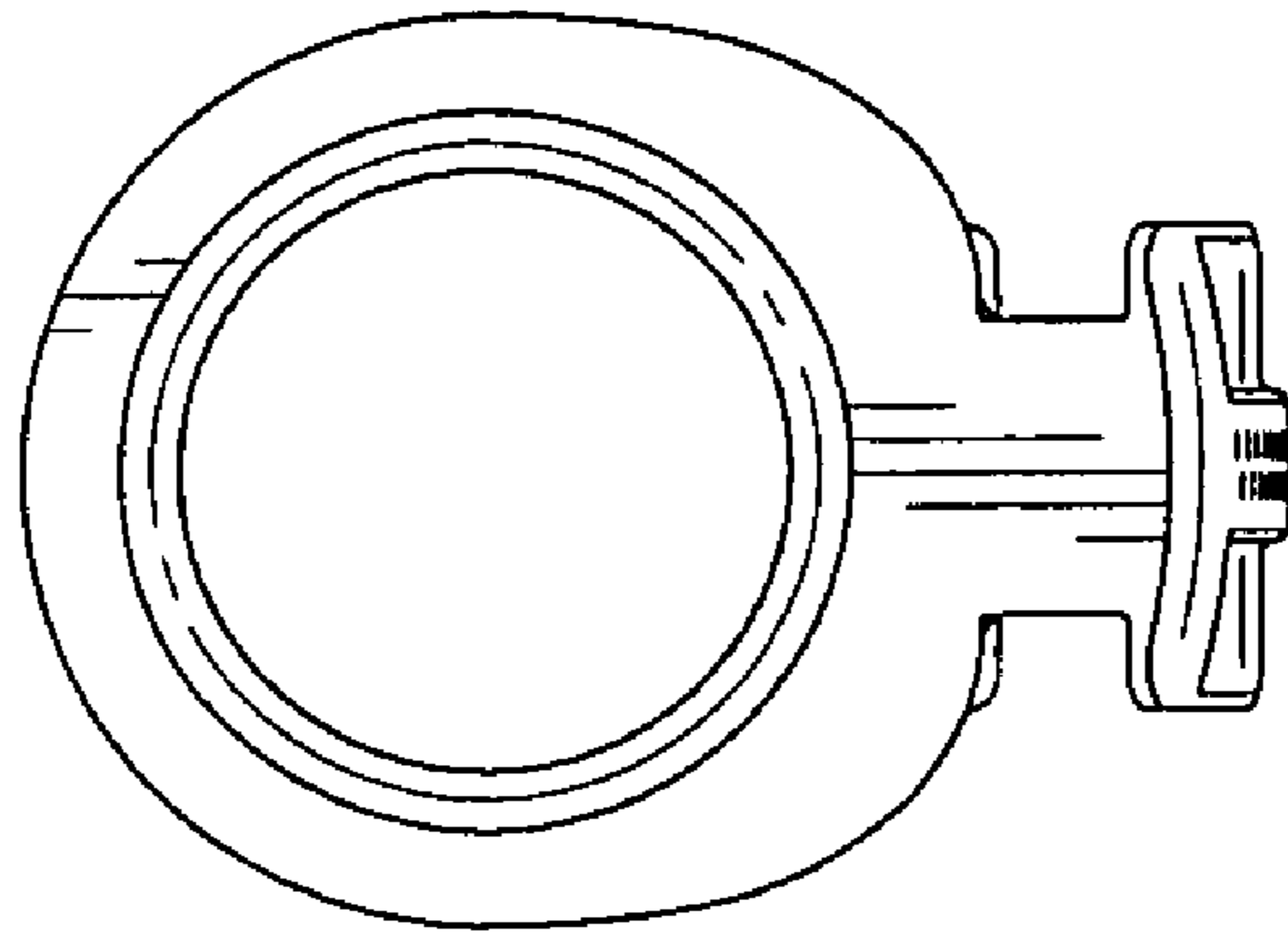


Fig. 7

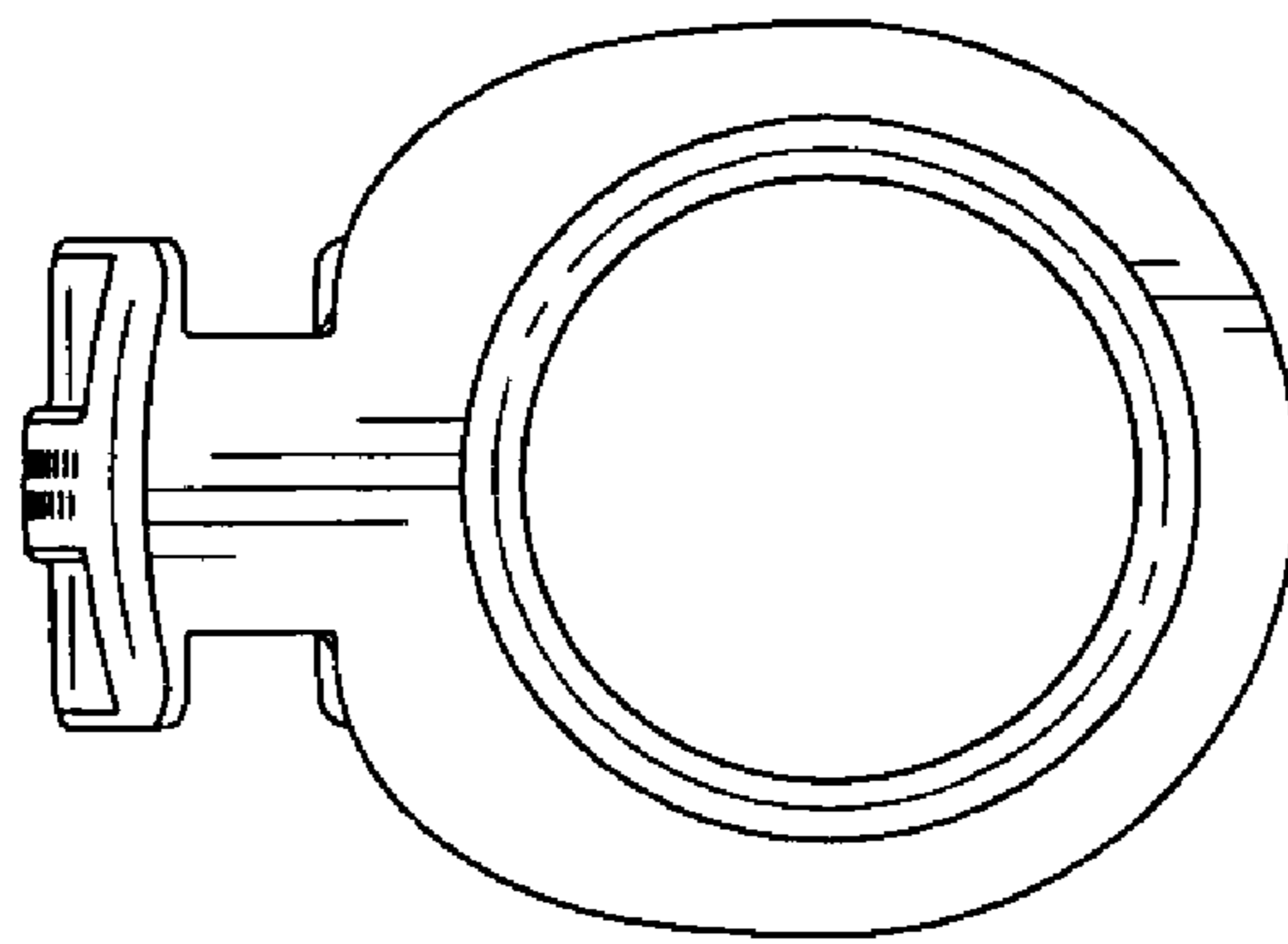


Fig. 8