

US00D587799S

(12) **United States Design Patent**  
**Oleson**

(10) **Patent No.:** **US D587,799 S**  
(45) **Date of Patent:** **\*\* Mar. 3, 2009**

(54) **WINGLET FOR A FAN BLADE**

(75) Inventor: **Richard A. Oleson**, Lexington, KY (US)

(73) Assignee: **Delta T Corporation**, Lexington, KY (US)

(\*\*) Term: **14 Years**

(21) Appl. No.: **29/322,996**

(22) Filed: **Aug. 15, 2008**

(51) **LOC (9) Cl.** ..... **23-04**

(52) **U.S. Cl.** ..... **D23/411**

(58) **Field of Classification Search** ..... D23/411,  
D23/377, 413, 379, 385; 415/221, 223 R  
See application file for complete search history.

(56) **References Cited**

U.S. PATENT DOCUMENTS

3,524,712	A	8/1970	Keen et al.	
4,968,216	A	11/1990	Anderson et al.	
5,564,901	A	10/1996	Moore	
5,725,355	A	3/1998	Crall et al.	
5,823,480	A	10/1998	La Roche	
6,039,541	A	3/2000	Parker et al.	
6,161,797	A	12/2000	Kirk et al.	
6,244,821	B1	6/2001	Boyd et al.	
6,517,315	B2 *	2/2003	Belady	415/221
6,565,320	B1	5/2003	Surles et al.	
6,719,533	B2	4/2004	Bird	
6,776,578	B2 *	8/2004	Belady	415/221
6,884,034	B1	4/2005	Parker et al.	
2003/0095864	A1	5/2003	Ivanovic	

FOREIGN PATENT DOCUMENTS

DE	3819145	12/1989
GB	100134	3/1917
GB	2050530	7/1981

OTHER PUBLICATIONS

U.S. Appl. No. 11/046,341, filed Jan. 28, 2005, Aynsley.  
U.S. Appl. No. 11/046,593, filed Jan. 28, 2005, Aynsley.  
U.S. Appl. No. 11/777,344, filed Jul. 13, 2007, Aynsley.

U.S. Appl. No. 60/589,945, filed Jul. 21, 2004, Aynsley.  
Airfoil Design: HVLS dated Dec. 9, 2002.

A Fan for All Seasons, Bell & Howell Information and Learning, American Society of Mechanical Engineers, Mechanical Engineering, vol. 121(12), pp. 58-60.

Screenshots from <http://www.b737.org.uk>, printed on May 2004.

Screenshots from [oea.larc.nasa.gov](http://oea.larc.nasa.gov), printed May 2004.

Screenshots from Penn State Engineering website, printed May 2004.

Boeing 747-400 Twin-Aisle Jet Airliner, USA, Screenshot from <http://www.aerospace-technology.com/projects/747/7473.html>, printed on Aug. 11, 2008.

747-400, Screenshot from [http://www.boeing.com/commercial/747family/pf/pf\\_exterior.html](http://www.boeing.com/commercial/747family/pf/pf_exterior.html), printed on Aug. 11, 2008.

General Exterior Arrangement 737, Screenshot from [http://www.boeing.com/commercial/737family/pf/pf\\_exterior.html](http://www.boeing.com/commercial/737family/pf/pf_exterior.html), printed on Aug. 11, 2008.

(Continued)

*Primary Examiner*—Lisa P Lichtenstein

(74) *Attorney, Agent, or Firm*—Frost Brown Todd LLC

(57) **CLAIM**

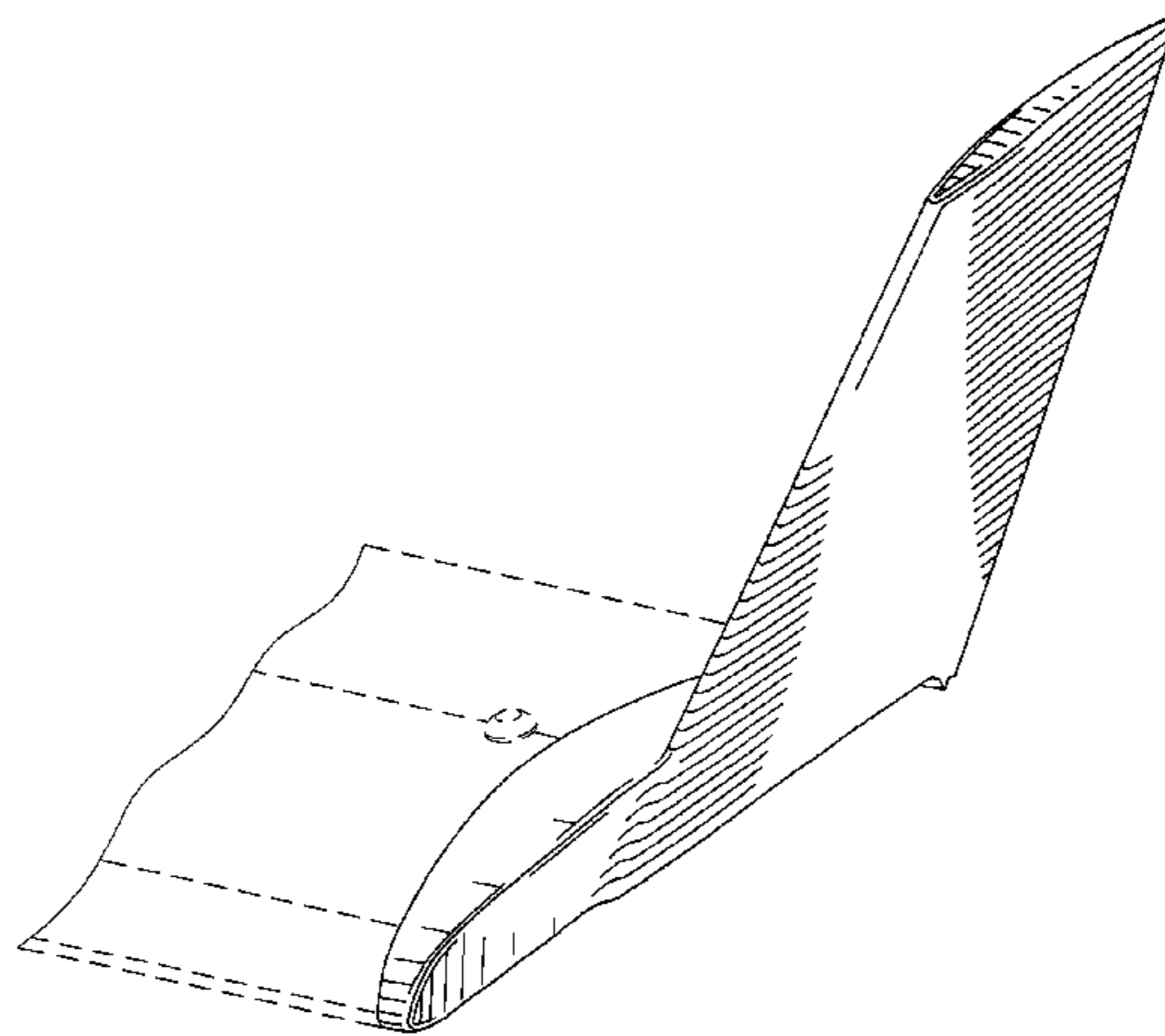
The ornamental design for a winglet for fan blade, as shown and described.

**DESCRIPTION**

FIG. 1 is a top perspective view of the present invention; FIG. 2 is a bottom perspective view of the present invention; FIG. 3 is a top elevational view of the present invention; FIG. 4 is a bottom elevational view of the present invention; FIG. 5 is a left elevational view of the present invention; FIG. 6 is a right elevational view of the present invention; FIG. 7 is a front elevational view of the present invention; and, FIG. 8 is a back elevational view of the present invention.

The broken line showing of a portion of a fan blade is included for the purpose of illustrating environmental structure and forms no part of the claimed design.

**1 Claim, 8 Drawing Sheets**



## OTHER PUBLICATIONS

Image: Winglet and nav light arp.jpg, Screenshot from [http://en.wikipedia.org/wiki/Image:Winglet\\_and\\_nav\\_light\\_arp.jpg](http://en.wikipedia.org/wiki/Image:Winglet_and_nav_light_arp.jpg), printed Aug. 11, 2008.

KC-135A in flight—closeup of winglet with attached tufts, Screenshot from <http://www.dfr.nasa.gov/gallery/Photo/KC-135/Small/EC79-11481.jpg>, printed Aug. 11, 2008.

KC-135A in flight-winglet study, EC79-11314, Screenshot from <http://www.dfr.nasa.gov/gallery/Photo/KC-135/Small/EC79-11314.jpg>, printed Aug. 11, 2008.

KC-135A in flight-winglet study, EC79-11484, Screenshot from <http://www.dfr.nasa.gov/gallery/Photo/KC-135/Small/EC79-11484.jpg>, printed Aug. 11, 2008.

Montoya, L.C., KC-135 Winglet Flight Results, NASA Dryden Flight Research Center, pp. 145-156.

NASA—NASA Dryden Technology Facts-Winglets, Screenshot from <http://www.nasa.gov/centers/dryden/about/Organizations/Technology/Facts/TF-2004-15-D>, printed on Aug. 11, 2008.

Winglet detail, Screenshot from <http://upload.wikimedia.org/wikipedia/commons/5/53/Wingletdetail.jpg>, printed on Aug. 11, 2008.

Wingtip device, Screenshot from [http://en.wikipedia.org/wiki/Wingtip\\_device](http://en.wikipedia.org/wiki/Wingtip_device), printed Aug. 11, 2008.

EPO Search Report dated Aug. 21, 2006 for Application No. EP 05250653.2.

EPO Search Report dated Aug. 22, 2006 for Application No. EP 05250654.0.

EPO Search Report dated Jul. 1, 2008 for Application No. EP 05250632.2.

EPO Search Report dated Jul. 1, 2008 for Application No. EP 05250653.2.

EPO Search Report dated Jul. 1, 2008 for Application No. EP 02 250654.0.

Dairy Notes, University of California Cooperative Extension (May 1999).

Fairbank, W.C. et al., A Large Paddle Fan for Livestock Cooling Canadian Society of Agricultural Engineering (Jun. 1989).

International Search Report dated Aug. 19, 2005 for Application No. PCT/US05/02703.

Jain et al., Experimental Investigation of the Flow Field of a Ceiling Fan, ASME Heat Transfer/Fluids Engineering Summer Conference; Paper No. HT-FED-2004-56226 (Jul. 2004).

Notice of Allowance dated Jun. 2, 2007 for U.S. Appl. No. 11/046,341.

Office Action dated Feb. 23, 2007 for U.S. Appl. No. 11/046,341.

Office Action dated Jan. 25, 2007 for U.S. Appl. No. 11/046,593.

Office Action dated May 14, 2007 for U.S. Appl. No. 11/046,593.

Written Opinion dated Aug. 19, 2005 for Application No. PCT/US05/02703.

Technical Guide: Commercial Industrial & Special Application Ceiling Fans.

\* cited by examiner

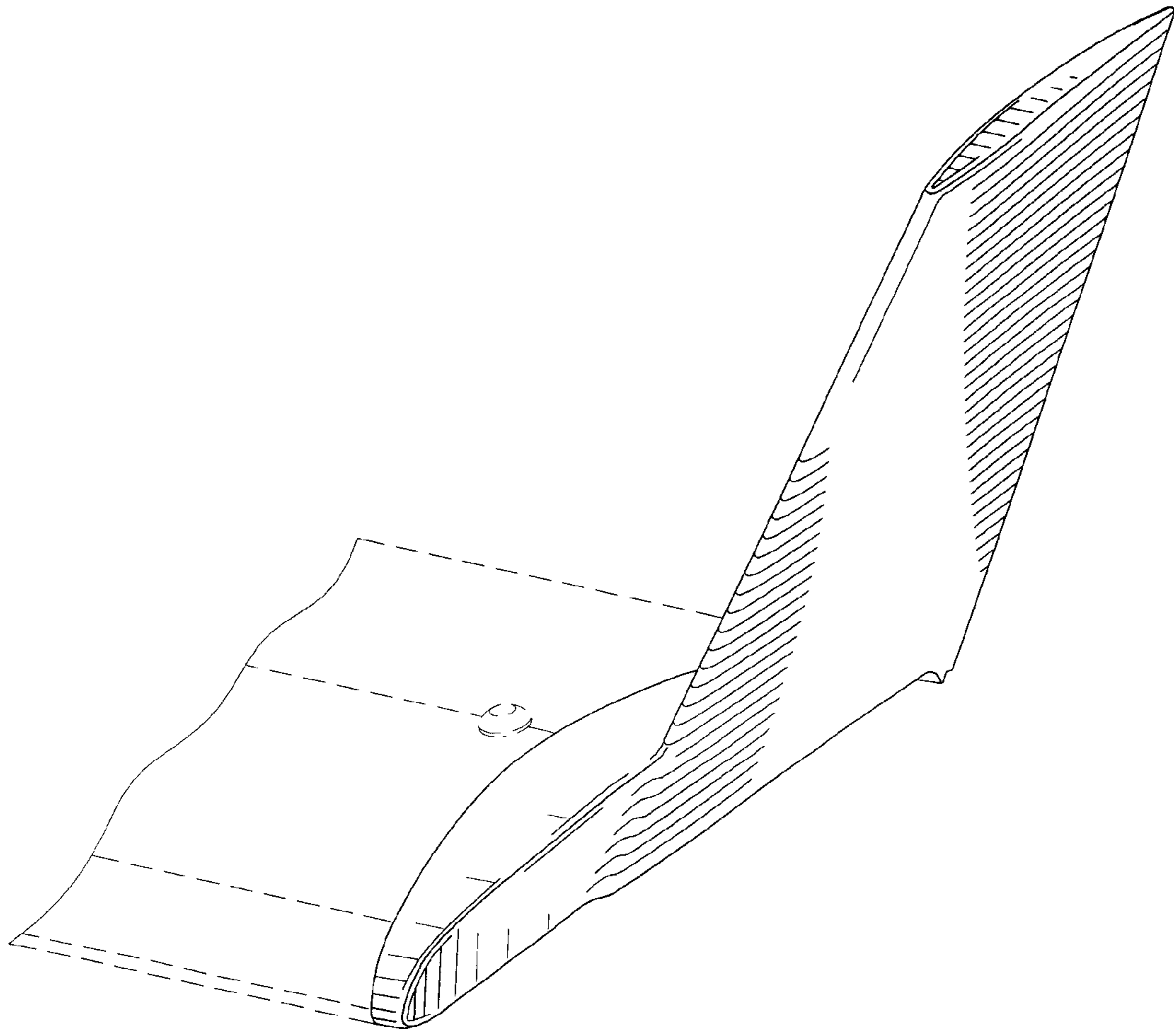


FIG. 1

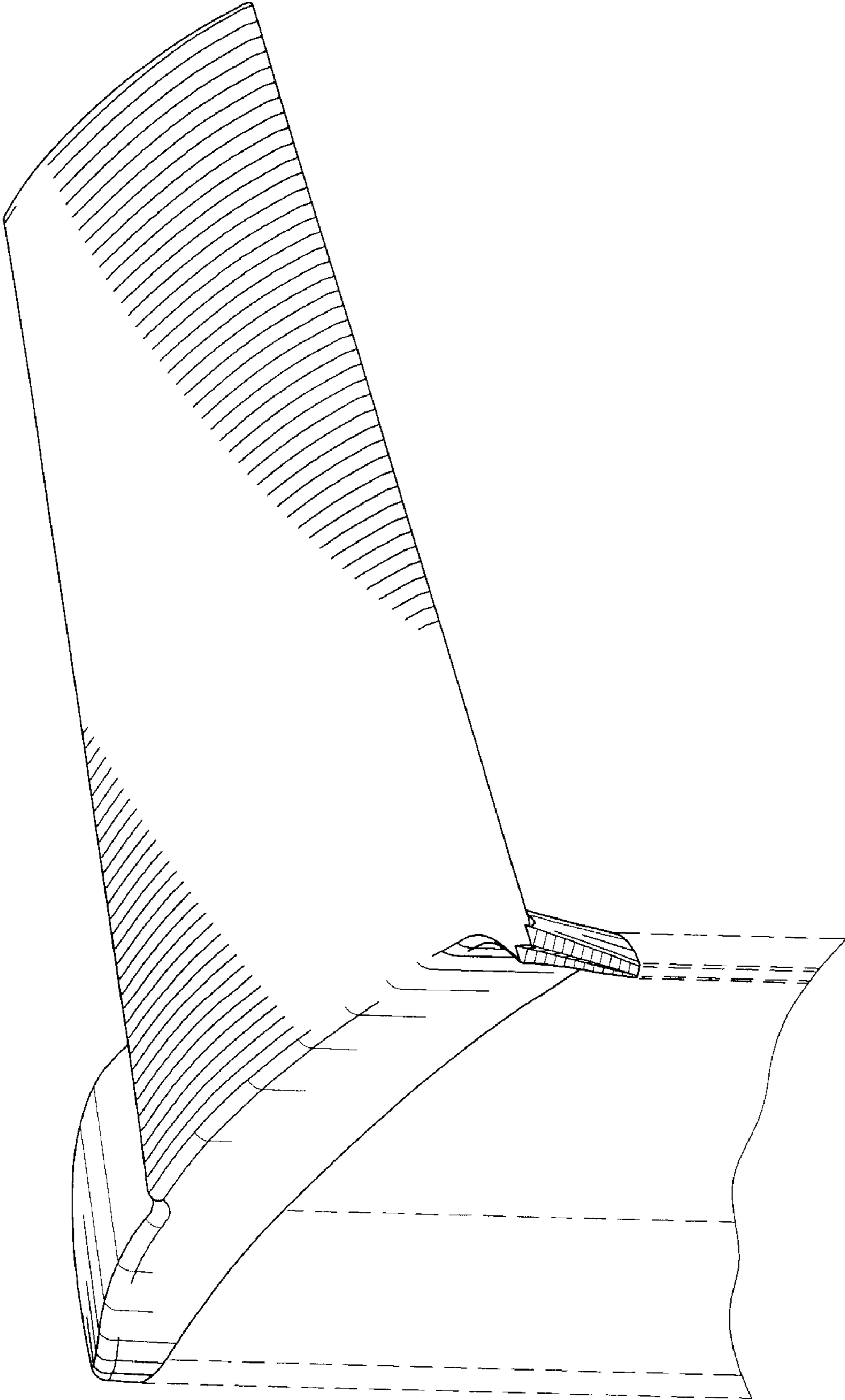


FIG. 2



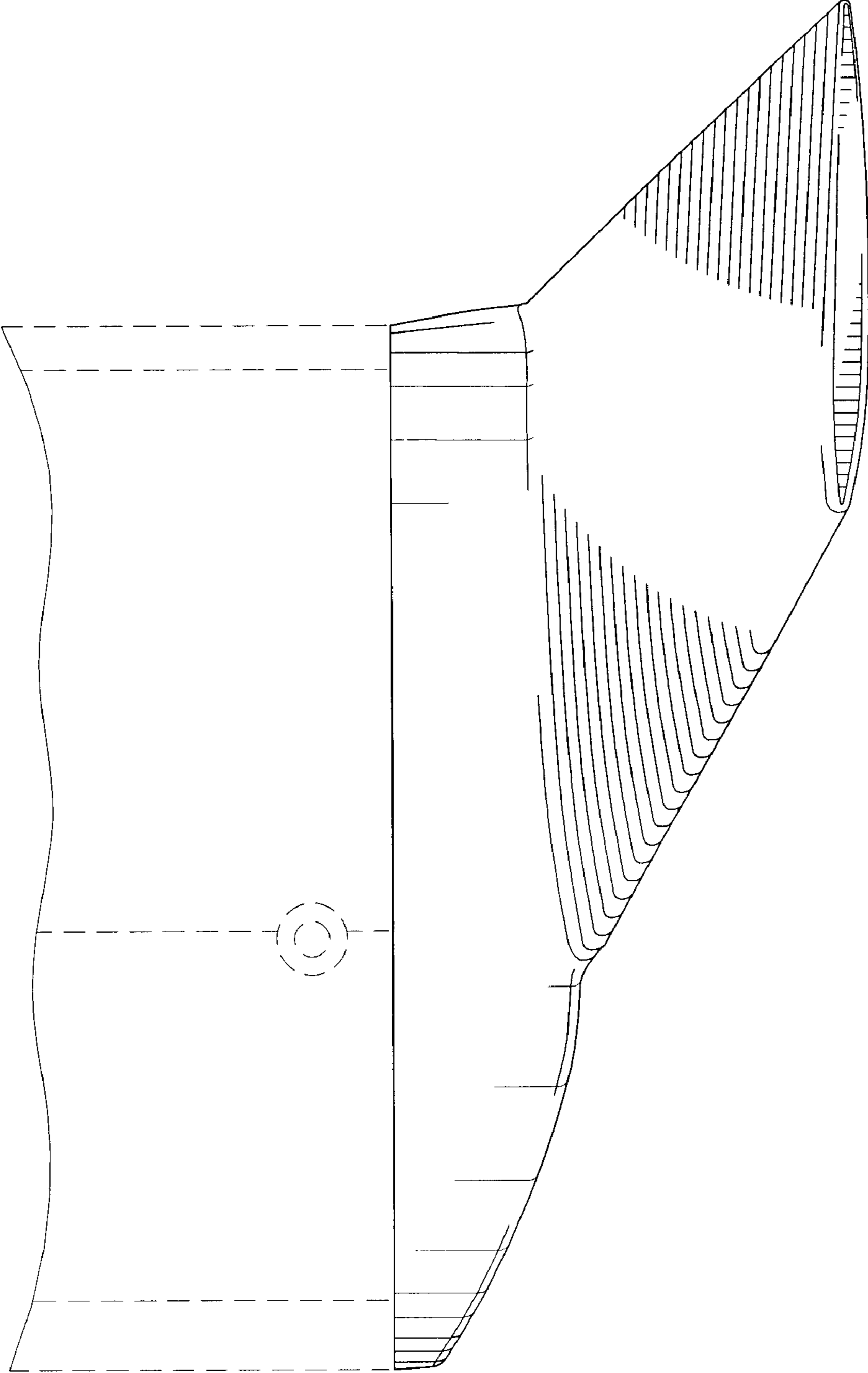


FIG. 3

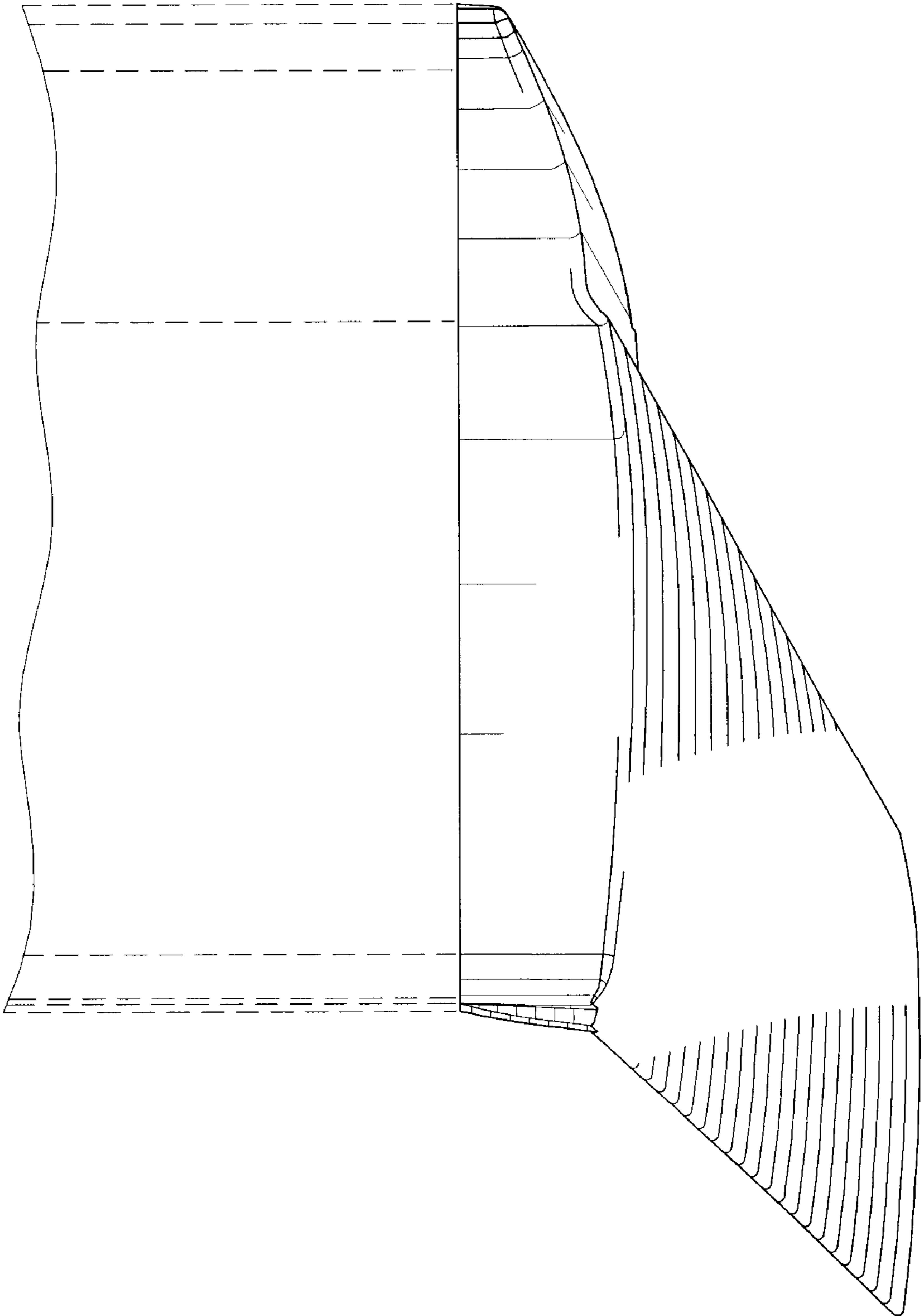


FIG. 4

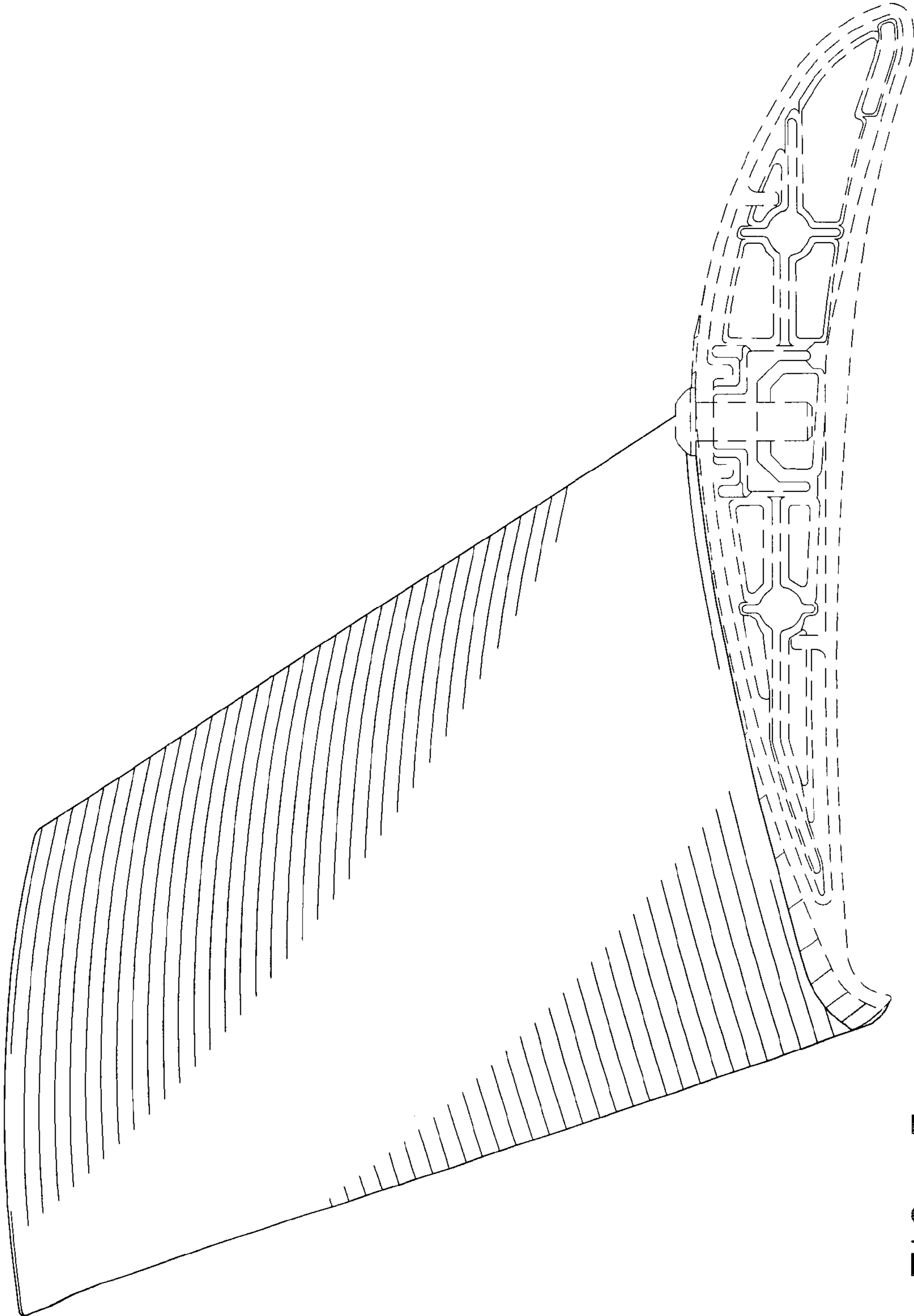


FIG. 5

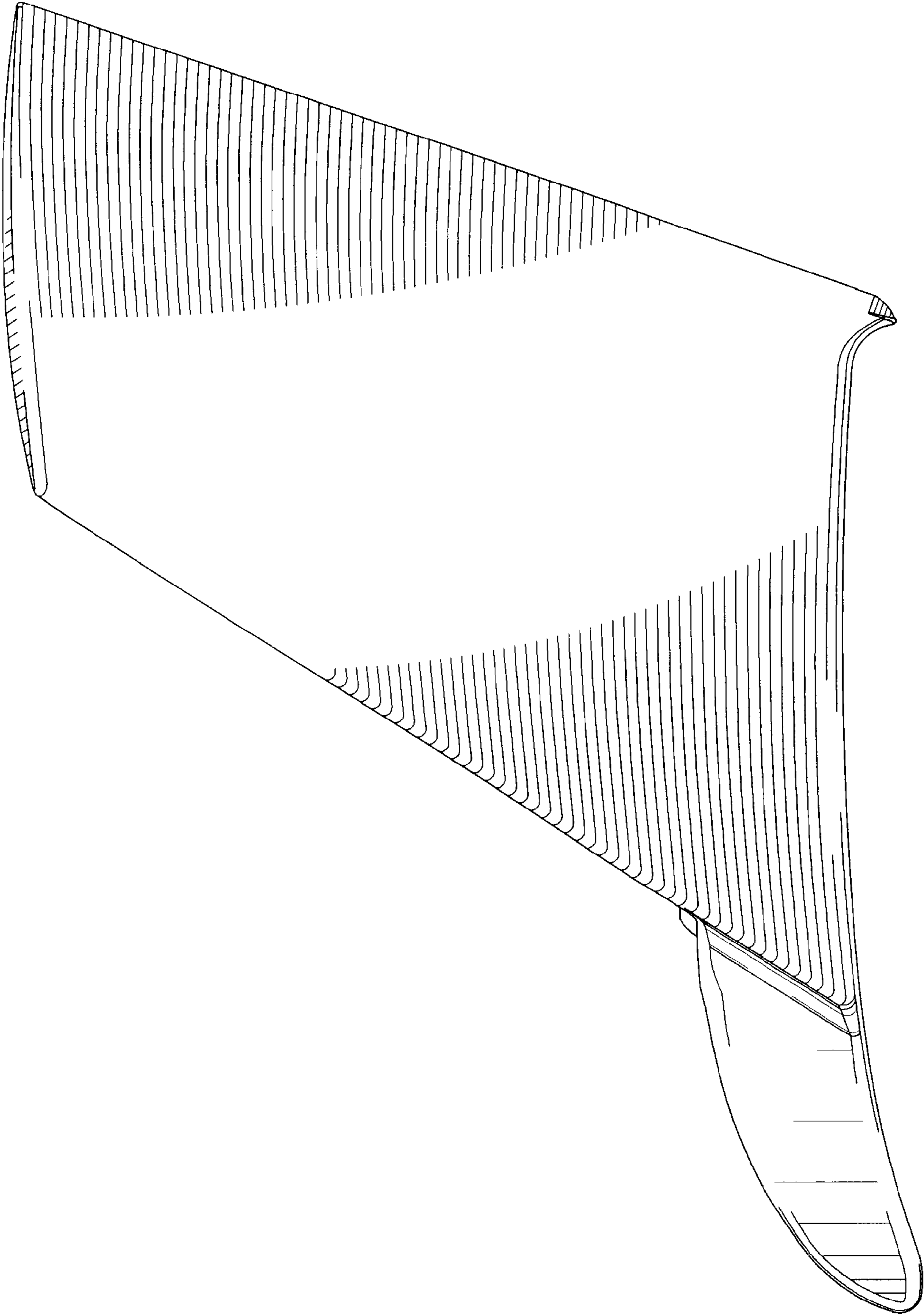


FIG. 6



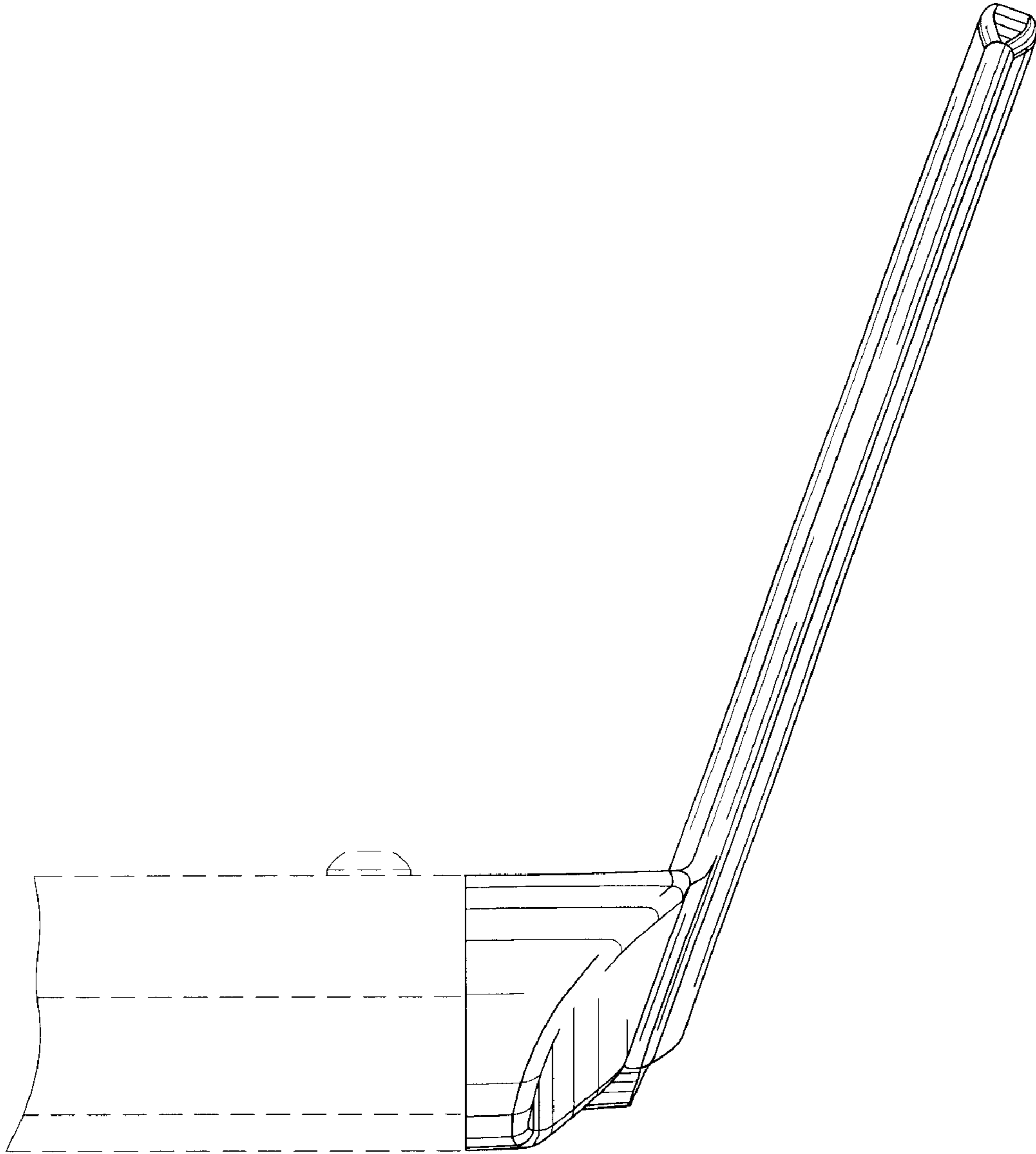


FIG. 7

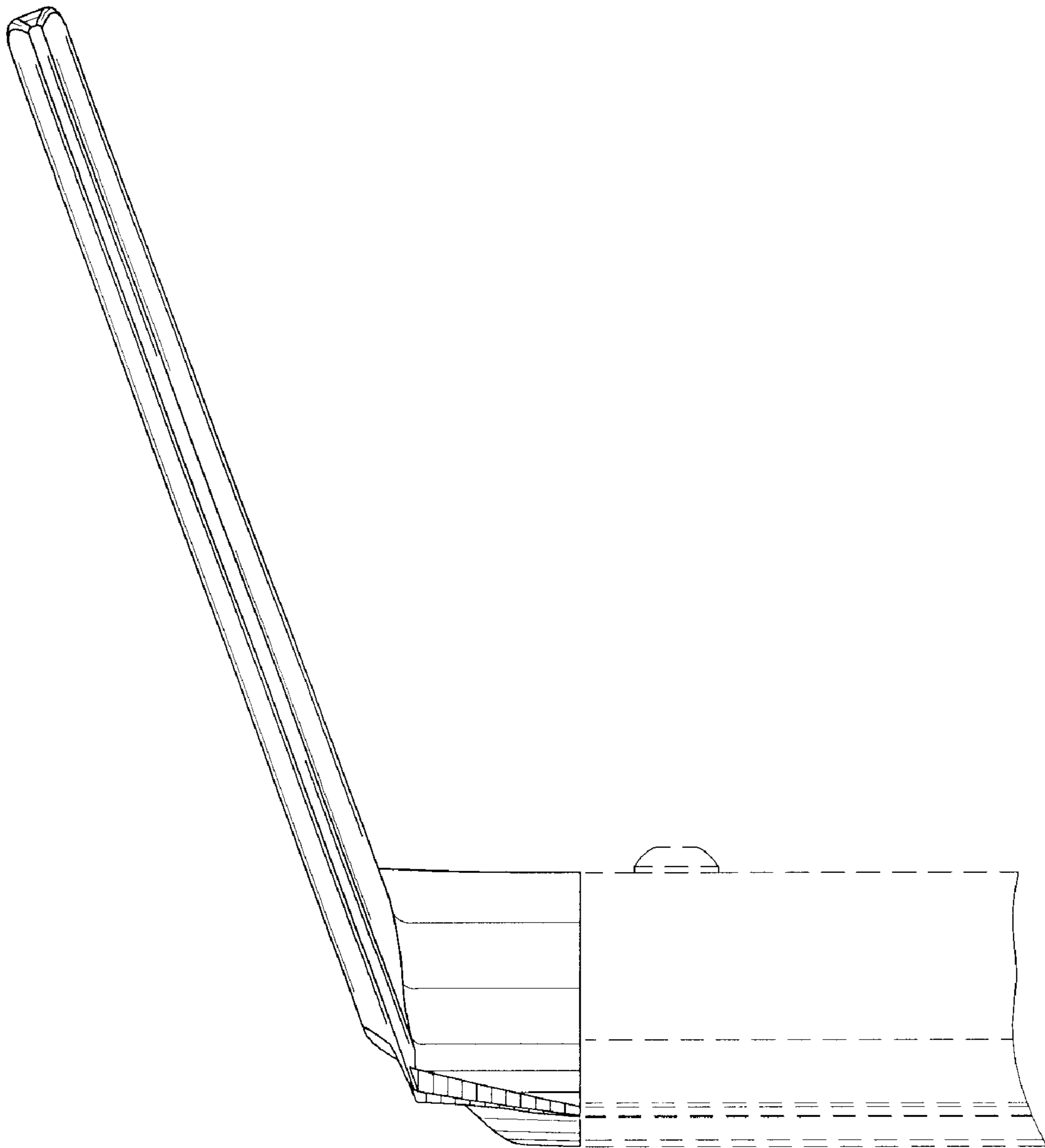


FIG. 8