



US00D587797S

(12) **United States Design Patent**  
**Blanchard**

(10) **Patent No.:** **US D587,797 S**  
(45) **Date of Patent:** **\*\* Mar. 3, 2009**

(54) **EXHAUST VENT COVER**

(74) *Attorney, Agent, or Firm*—George A. Seaby

(76) **Inventor:** **Normand Blanchard**, 79 rue Jeanne  
D'Arc, Gatineau, Quebec (CA) J8Y 2H5

(57) **CLAIM**

The ornamental design for an exhaust vent cover, as shown and described.

(\*\*) **Term:** **14 Years**

(21) **Appl. No.:** **29/309,179**

**DESCRIPTION**

(22) **Filed:** **Jul. 1, 2008**

(51) **LOC (9) Cl.** ..... **23-04**

(52) **U.S. Cl.** ..... **D23/370**

(58) **Field of Classification Search** ..... D23/370,  
D23/371, 393; 454/359, 353, 368; 52/303  
See application file for complete search history.

FIG. 1 is a front perspective view of the cover;  
FIG. 2 is rear elevational view thereof;  
FIG. 3 is a front elevational view thereof;  
FIG. 4 is a side elevation view thereof, the other side being the mirror image thereof;  
FIG. 5 is an end elevational view thereof, the other end being the mirror image thereof;  
FIG. 6 is a cross section taken generally along line 6—6 of FIG. 3;  
FIG. 7 is a front perspective view of a louver used in the cover of FIGS. 1 to 6 shown separately for clarity of illustration; and,  
FIG. 8 is a rear perspective view of the louver of FIG. 7.

(56) **References Cited**

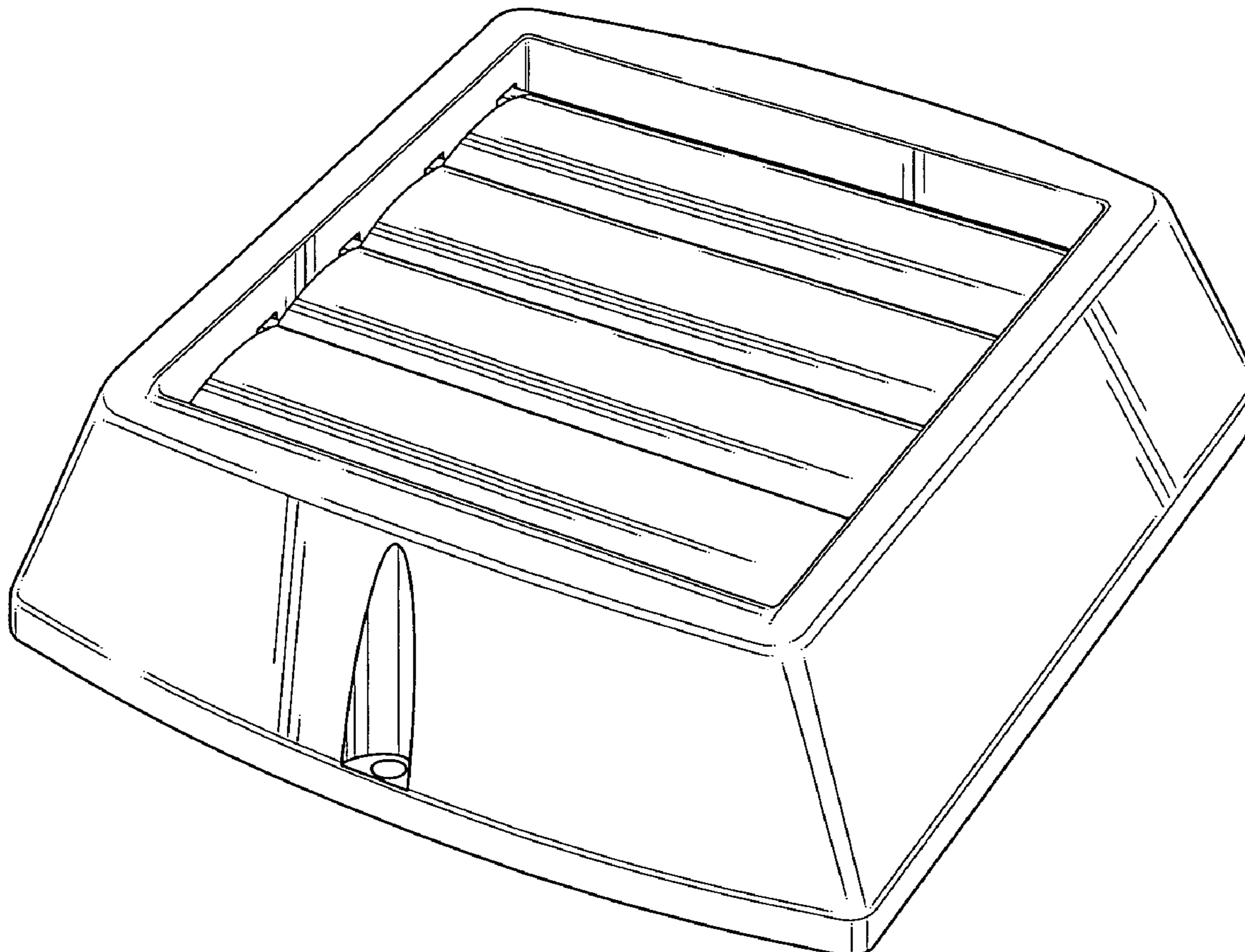
**U.S. PATENT DOCUMENTS**

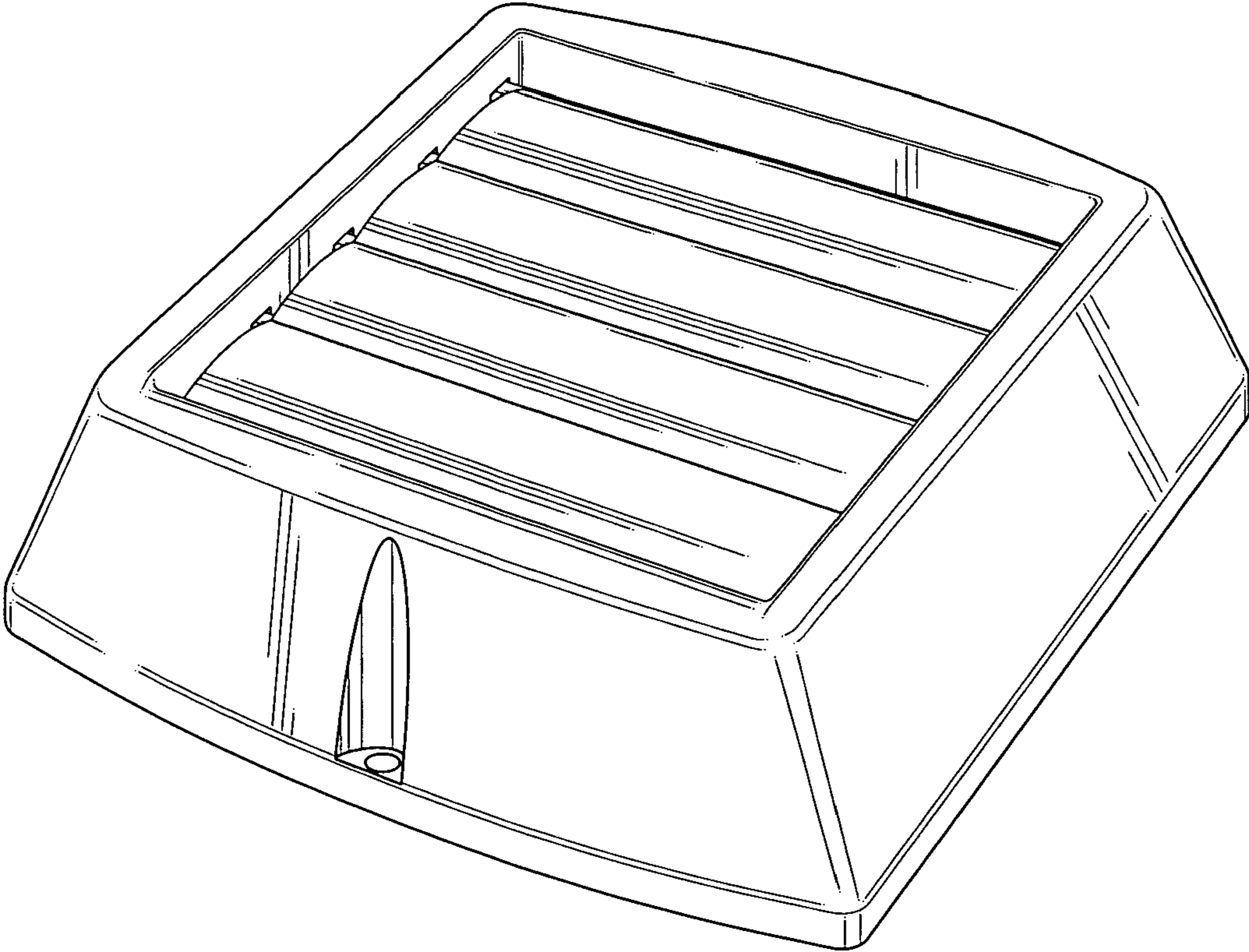
5,591,080	A *	1/1997	Ward	.....	454/359
D380,044	S *	6/1997	Tobias	.....	D23/375
D390,948	S *	2/1998	Meyer	.....	D23/393
D428,131	S *	7/2000	Jafine et al.	.....	D23/393

\* cited by examiner

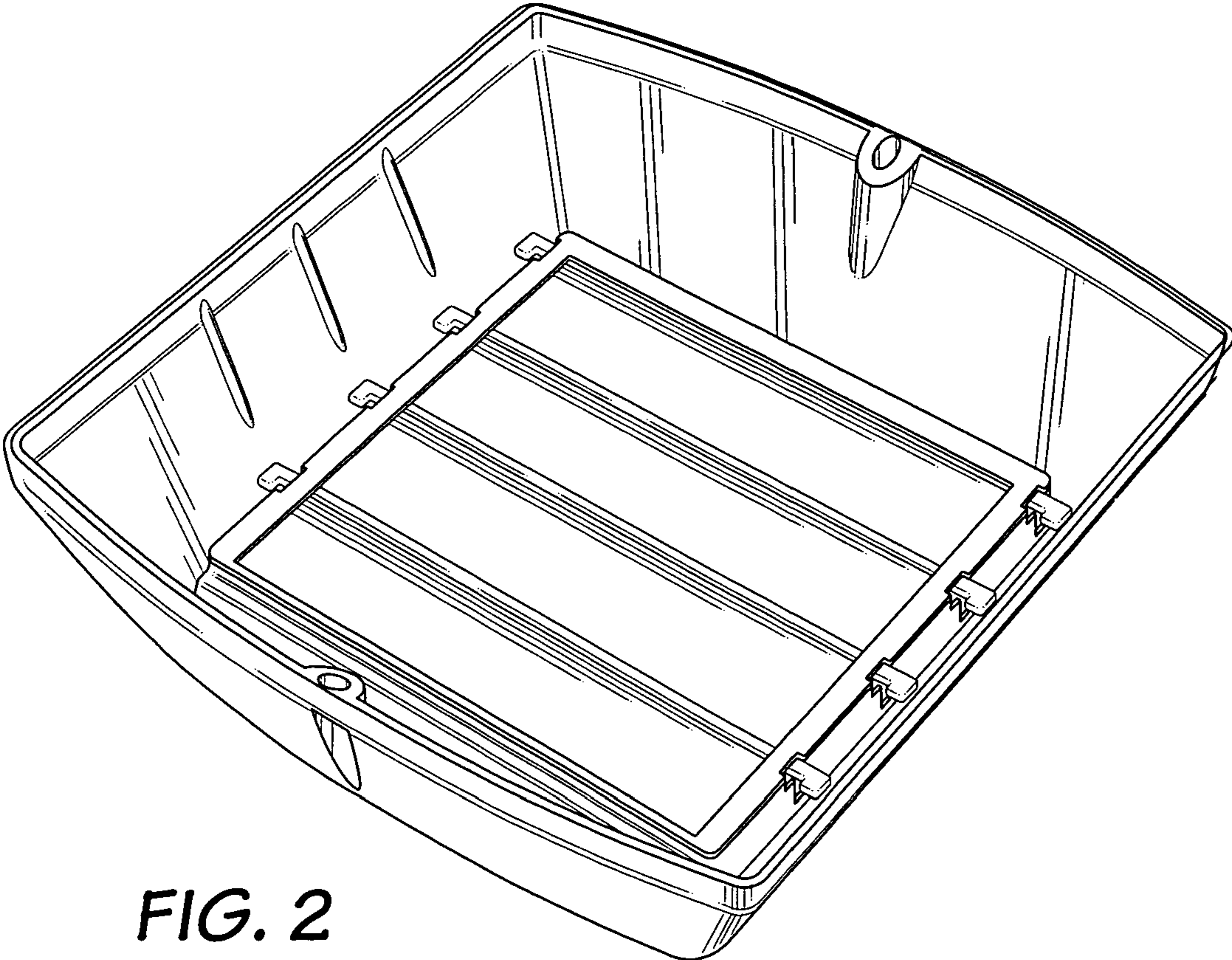
*Primary Examiner*—Lisa P Lichtenstein

**1 Claim, 3 Drawing Sheets**

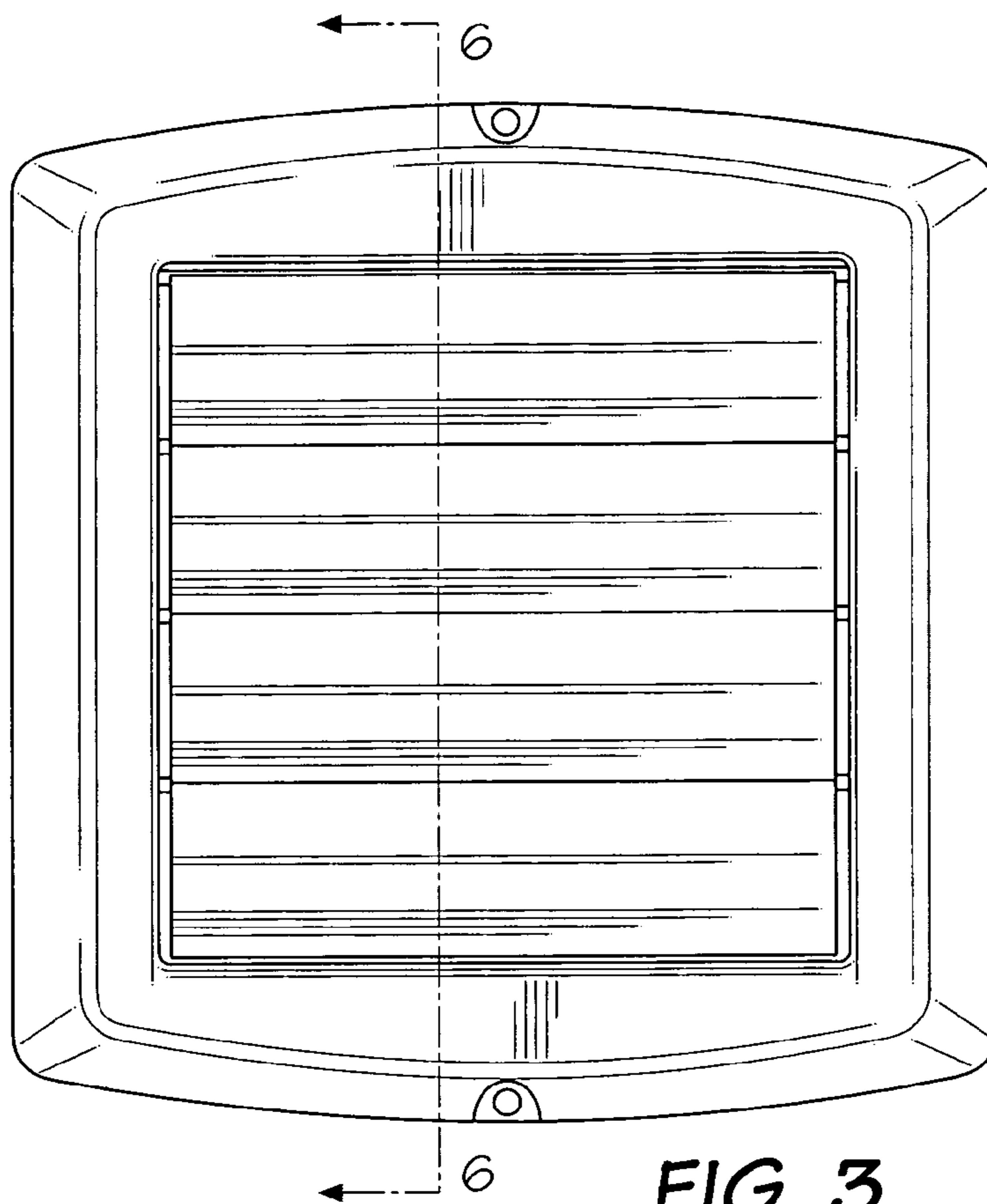




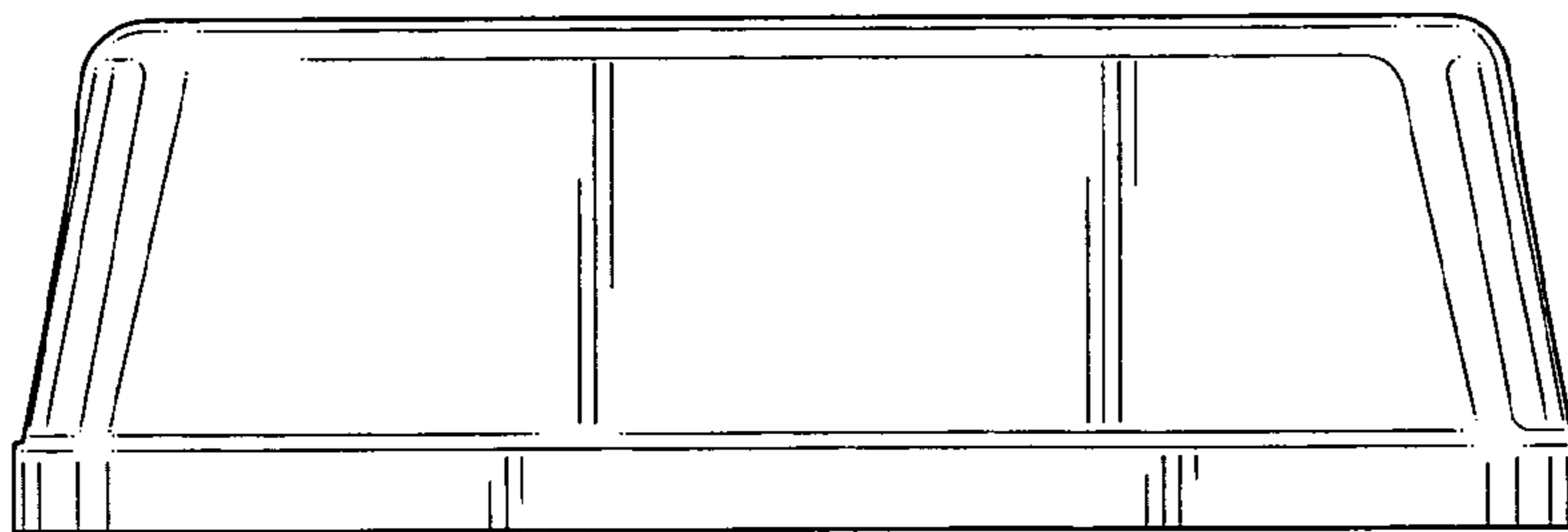
**FIG. 1**



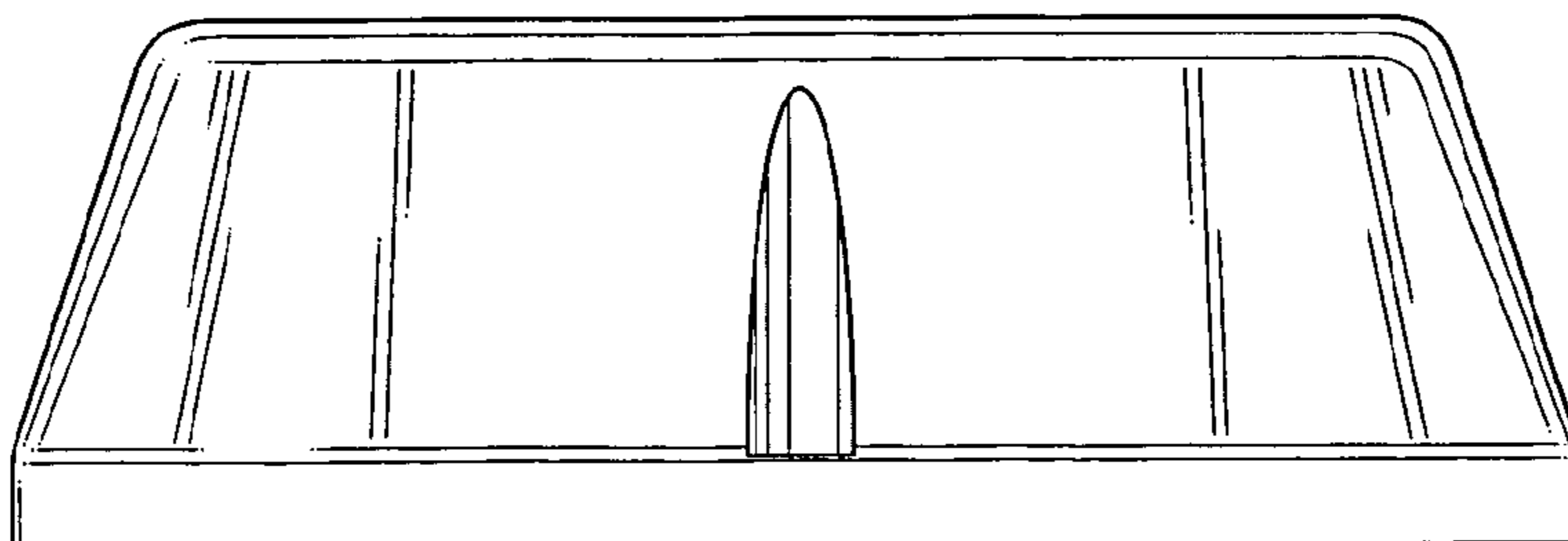
**FIG. 2**



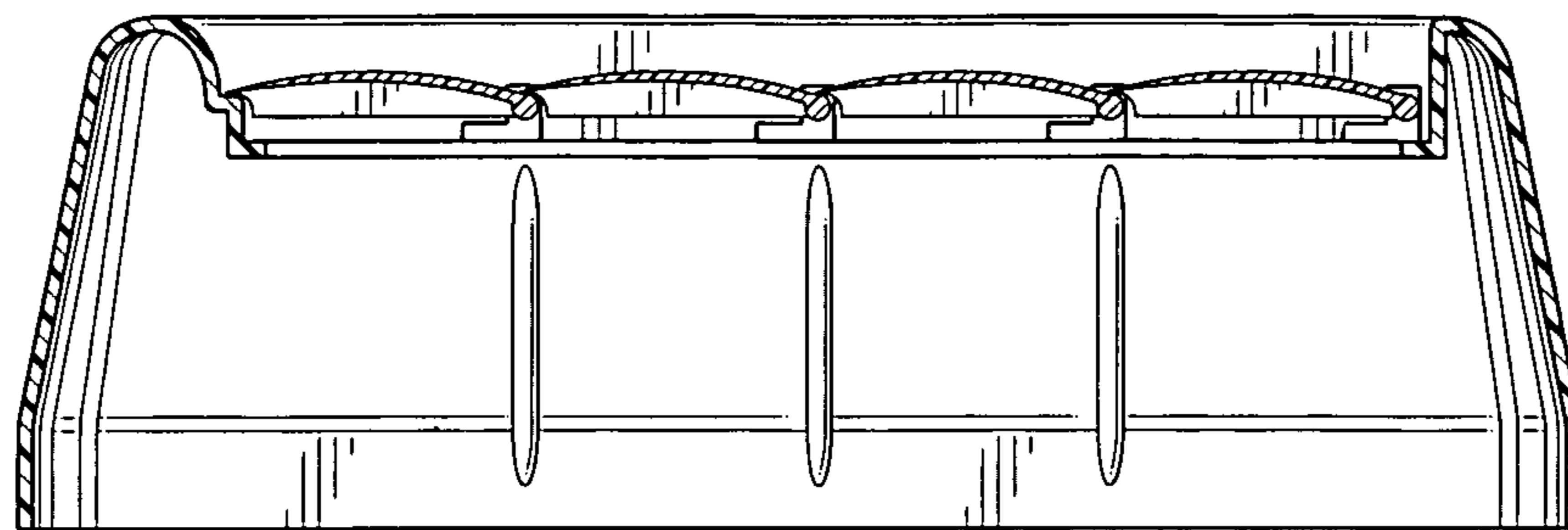
**FIG. 3**



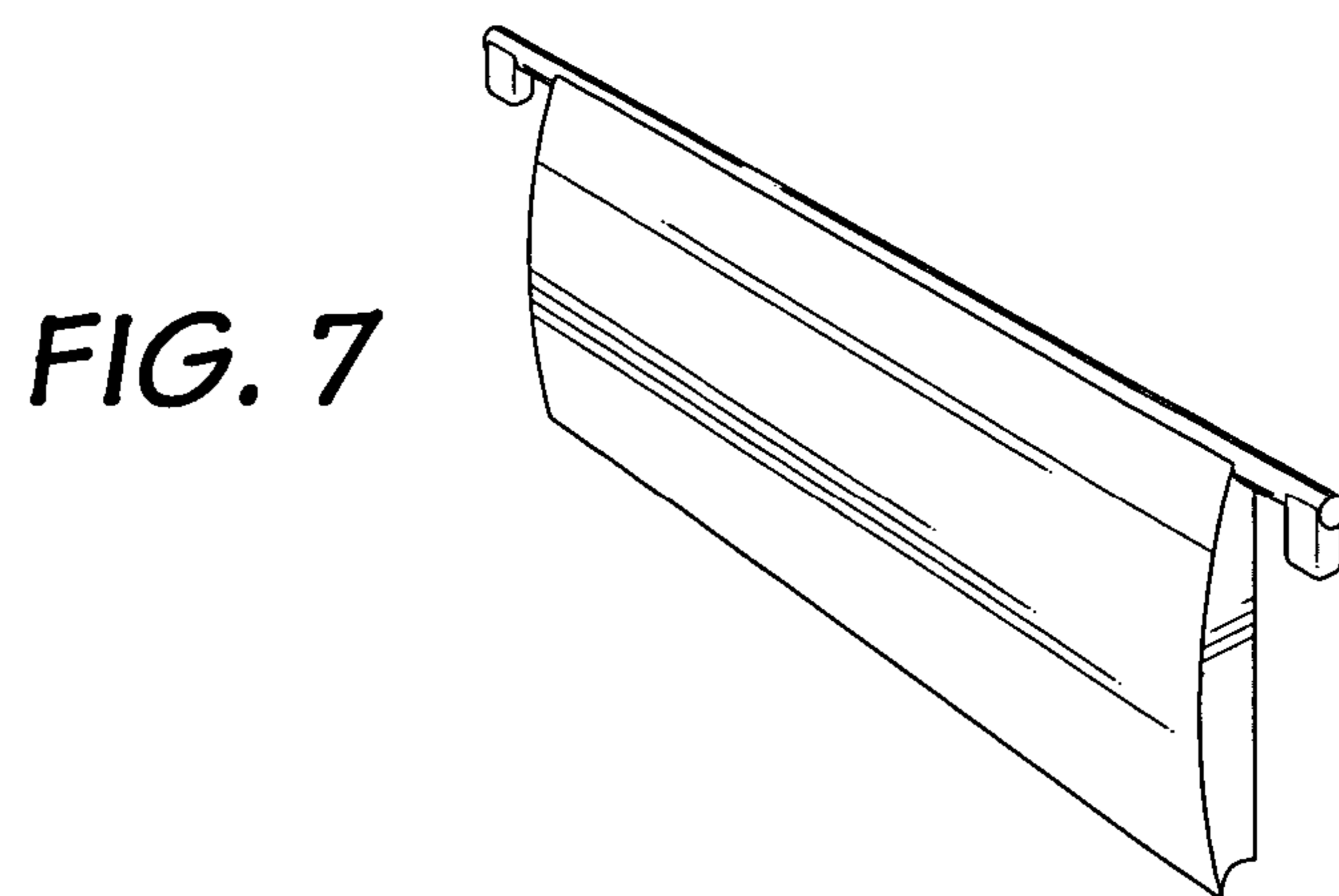
**FIG. 4**



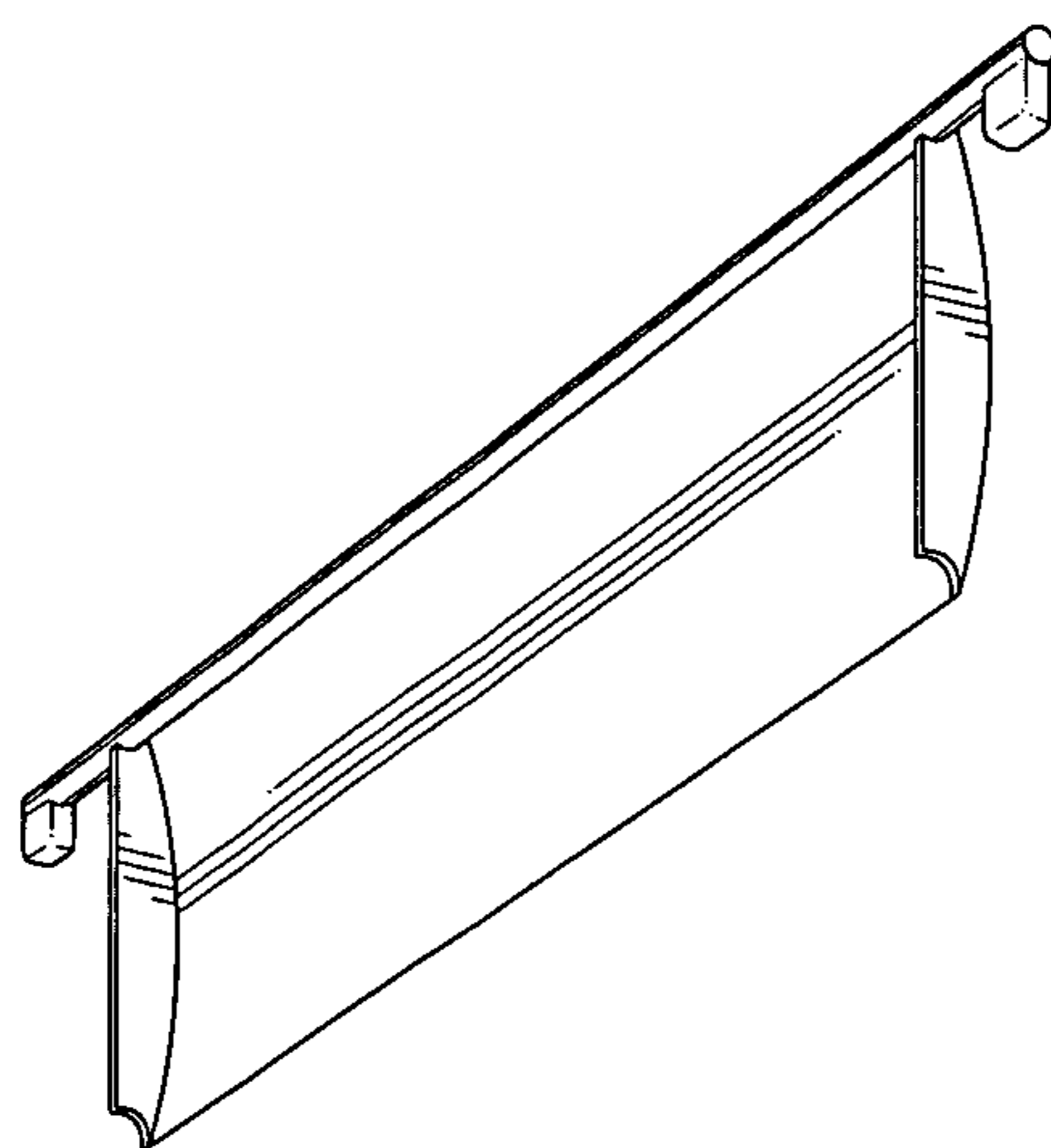
**FIG. 5**



**FIG. 6**



**FIG. 7**



**FIG. 8**