



US00D587796S

(12) **United States Design Patent**
Reese et al.

(10) **Patent No.:** **US D587,796 S**
(45) **Date of Patent:** **** Mar. 3, 2009**

(54) **VENTILATION UNIT**

(74) *Attorney, Agent, or Firm*—Robert R. Reed

(76) Inventors: **Timothy A. Reese**, 114 Courtland Dr.,
Greenville, SC (US) 29617; **Kevin R.**
Hunter, 2 Plaza Way, Anderson, SC
(US) 29621

(57) **CLAIM**

The ornamental design for a ventilation unit, as shown and described.

(**) Term: **14 Years**

DESCRIPTION

(21) Appl. No.: **29/307,854**

FIG. 1 is a perspective view of a ventilation unit showing our new design, it being understood that the unit is located in a environmental space to be ventilated;

(22) Filed: **May 15, 2008**

FIG. 2 is a front elevation view of the ventilation unit thereof of FIG. 1;

(51) **LOC (9) Cl.** **23-04**

(52) **U.S. Cl.** **D23/370**

(58) **Field of Classification Search** D23/370,
D23/371; 454/239, 256; 417/423.15
See application file for complete search history.

FIG. 3 is a rear elevation view of the ventilation unit thereof of FIG. 1;

FIG. 4 is a right side elevation view of the ventilation unit thereof of FIG. 1;

(56) **References Cited**

U.S. PATENT DOCUMENTS

3,368,756	A *	2/1968	Edwards	236/49.5
4,006,672	A	2/1977	Matsuyoshi et al.		
4,508,486	A	4/1985	Tinker		
4,510,851	A	4/1985	Sarnosky et al.		
4,829,882	A *	5/1989	Jackson	454/252
4,877,182	A	10/1989	Pugh et al.		
D325,254	S *	4/1992	Ruuskanen	D23/370
5,253,804	A *	10/1993	Sarazen et al.	236/44 C
6,435,964	B1	8/2002	Chang		
6,468,054	B1	10/2002	Anthony et al.		
6,926,602	B1	8/2005	Reese		
6,953,320	B1	10/2005	Davis et al.		
6,958,010	B1	10/2005	Reese		

FIG. 5 is a left side elevation view of the ventilation unit thereof of FIG. 1;

FIG. 6 is a top plan view of the ventilation unit thereof of FIG. 1;

FIG. 7 is a bottom view of the ventilation unit thereof of FIG. 1;

FIG. 8 is an exploded right side elevation view of the ventilation unit thereof of FIG. 1 showing a removable cover displaced from a base, as indicated by the broken lines, for accessing internal components of the ventilation unit; and,

FIG. 9 is a plan view of the ventilation unit of our new design being operated, wherein the dashed lines of a crawl space environment and arrows indicating an air flow provided by the ventilation unit indicate a typical environment of the ventilation unit and are not a part of the claimed invention.

* cited by examiner

Primary Examiner—Lisa P Lichtenstein

1 Claim, 8 Drawing Sheets

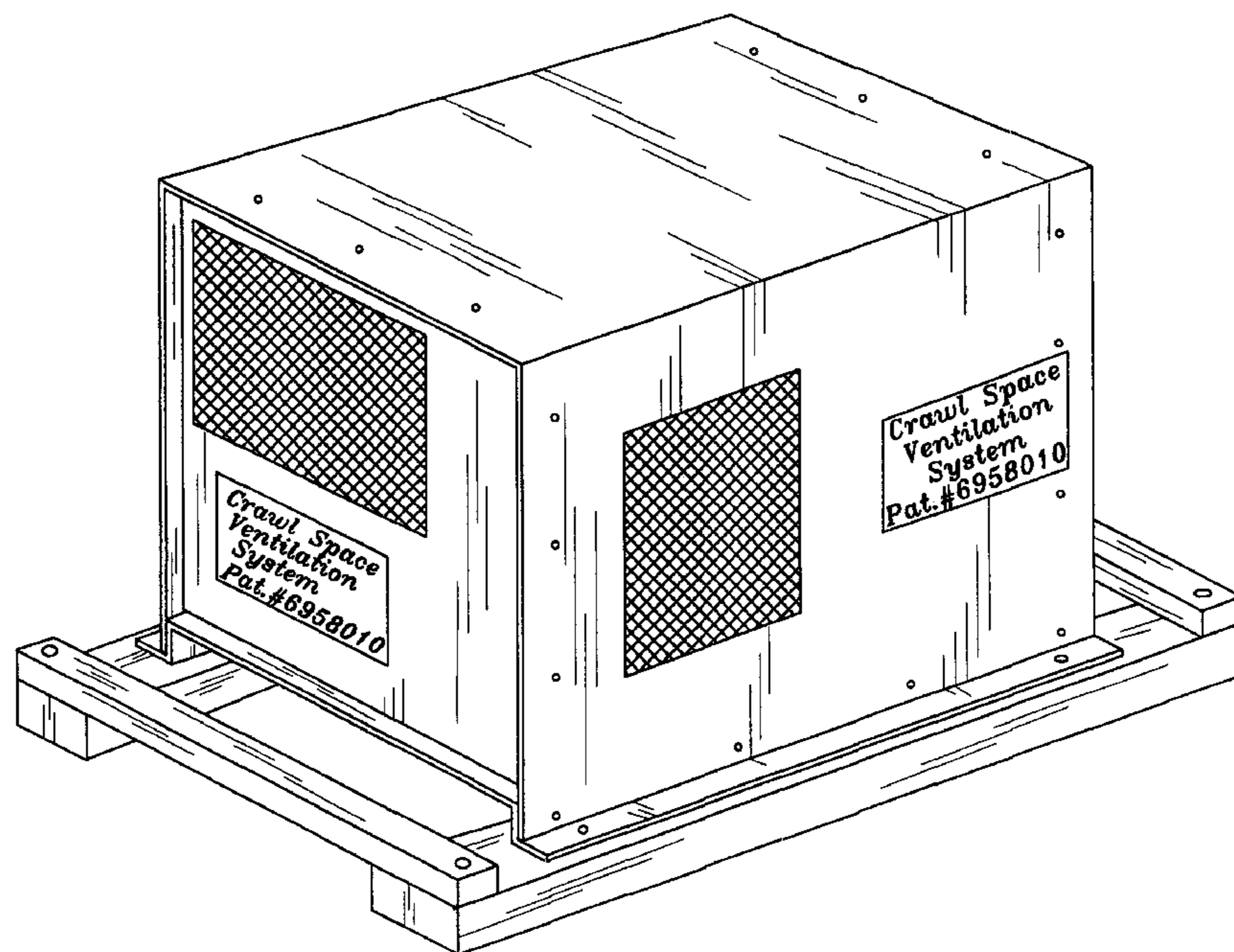


Fig. 1

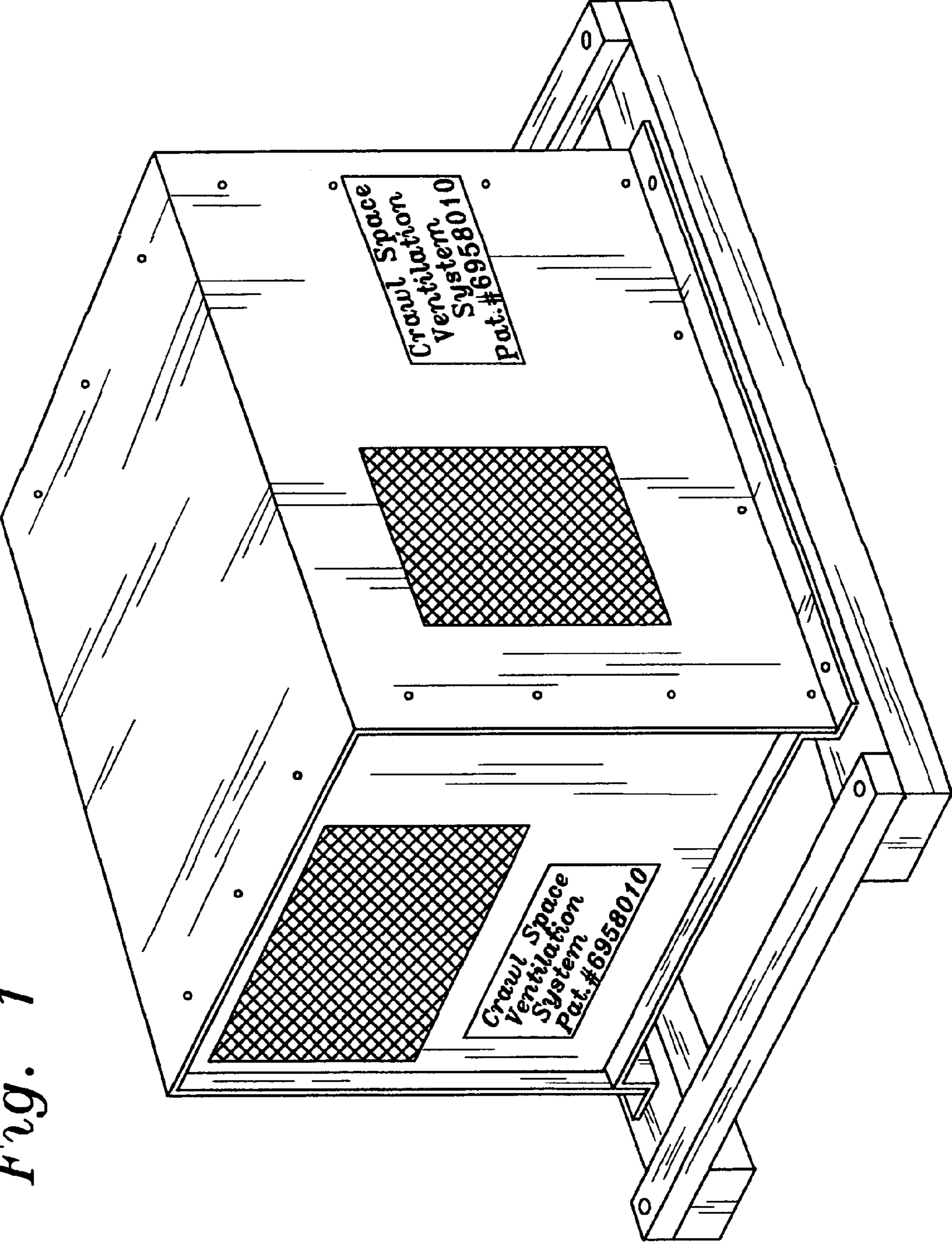


Fig. 3

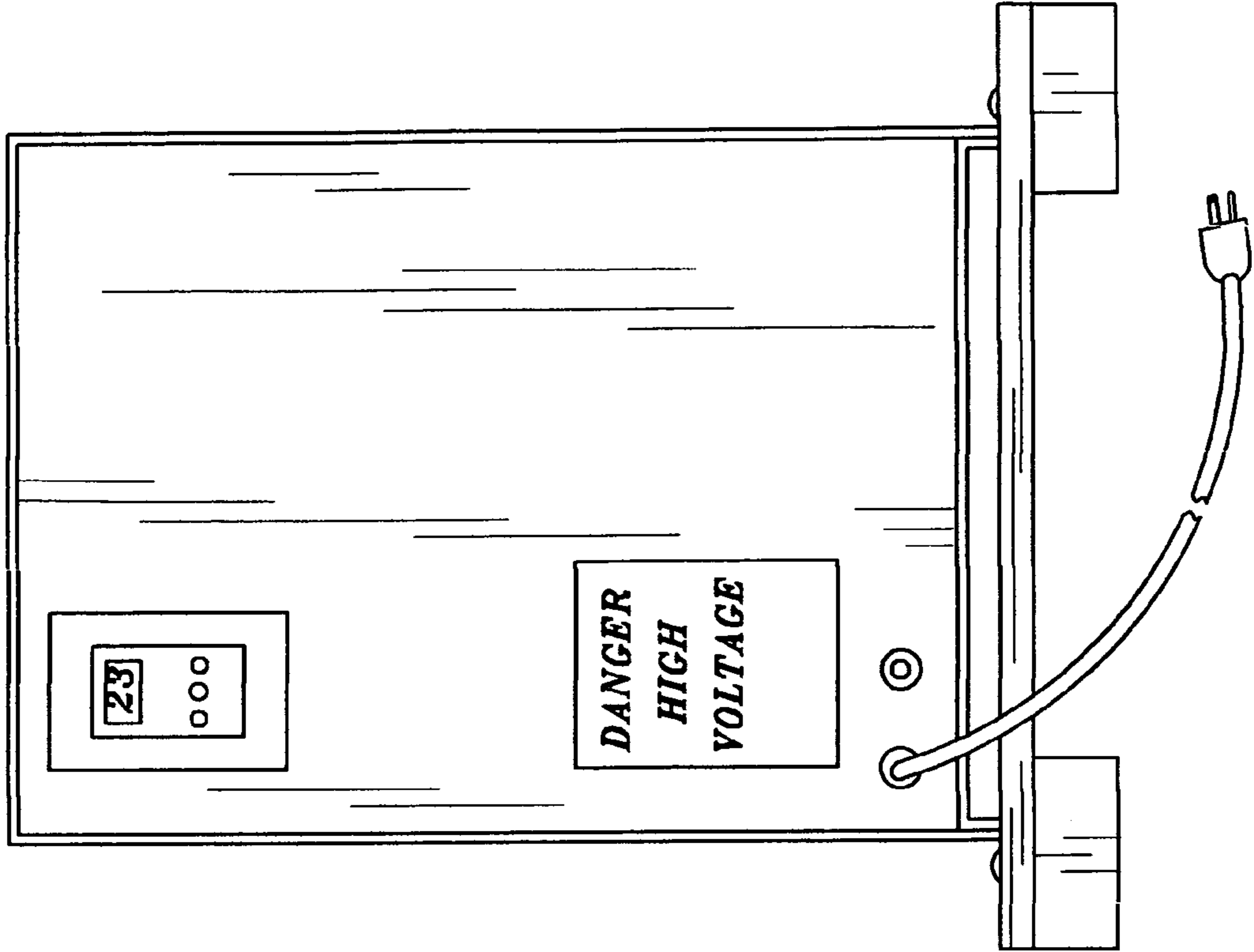


Fig. 2

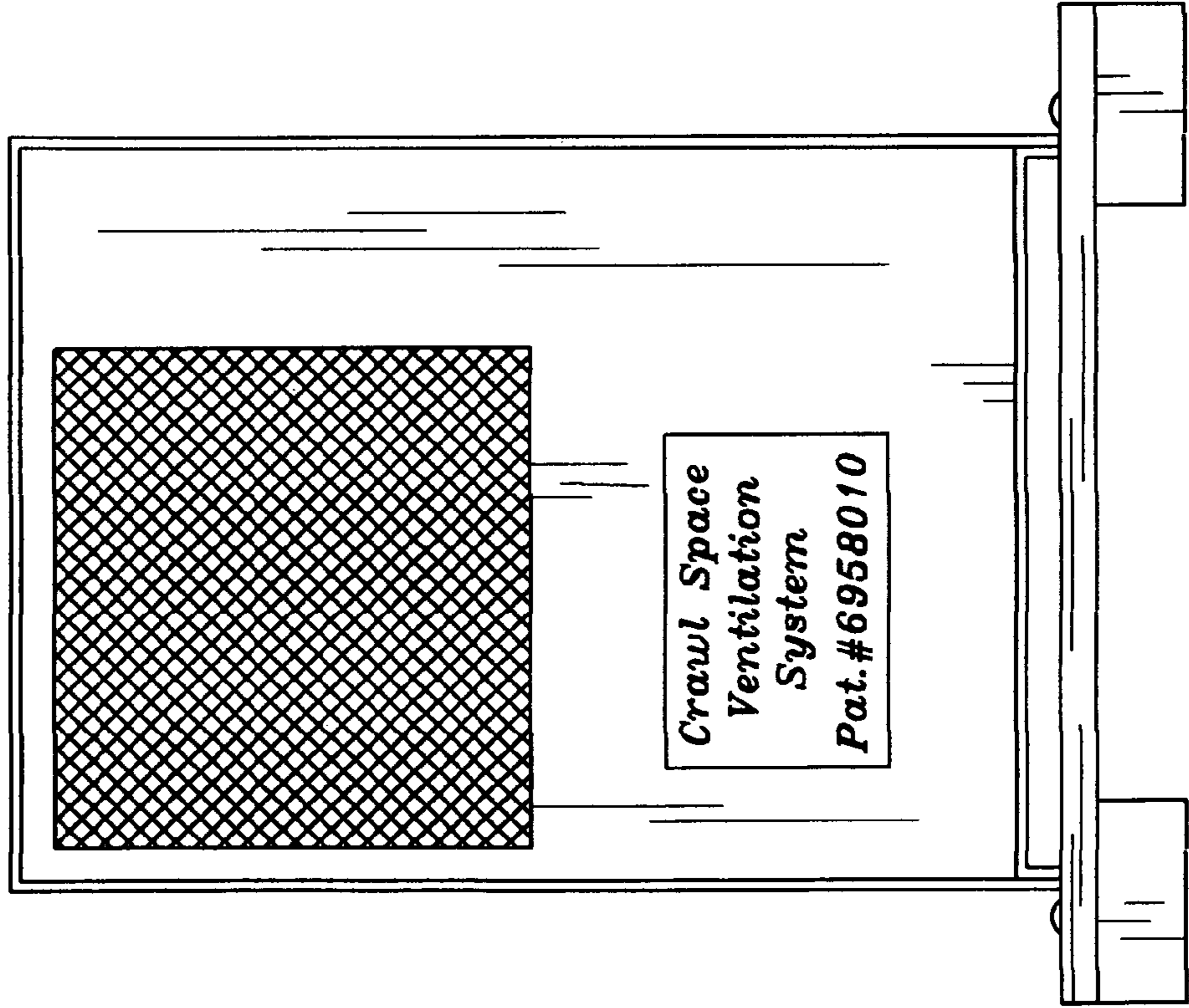


Fig. 4

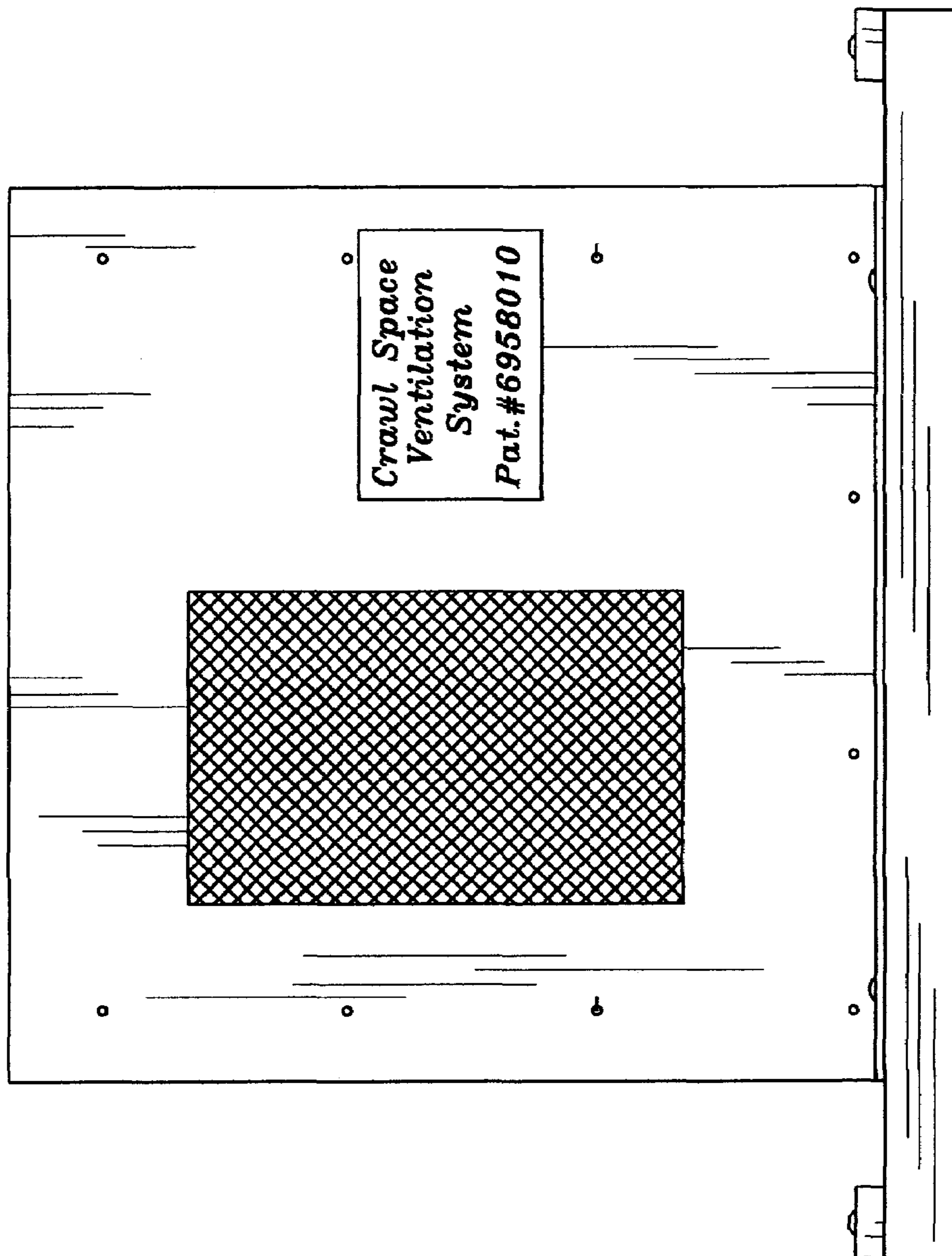


Fig. 5

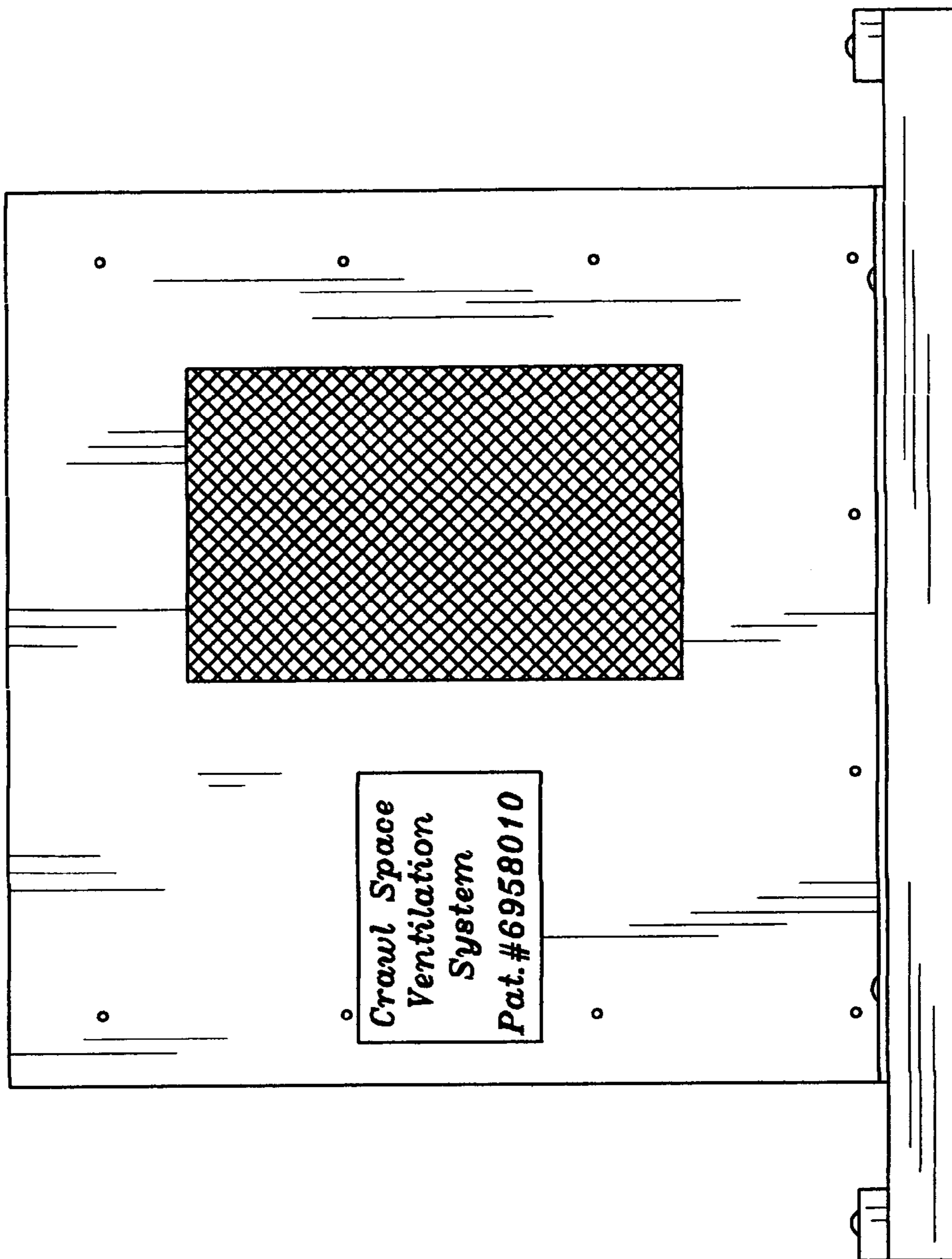


Fig. 6

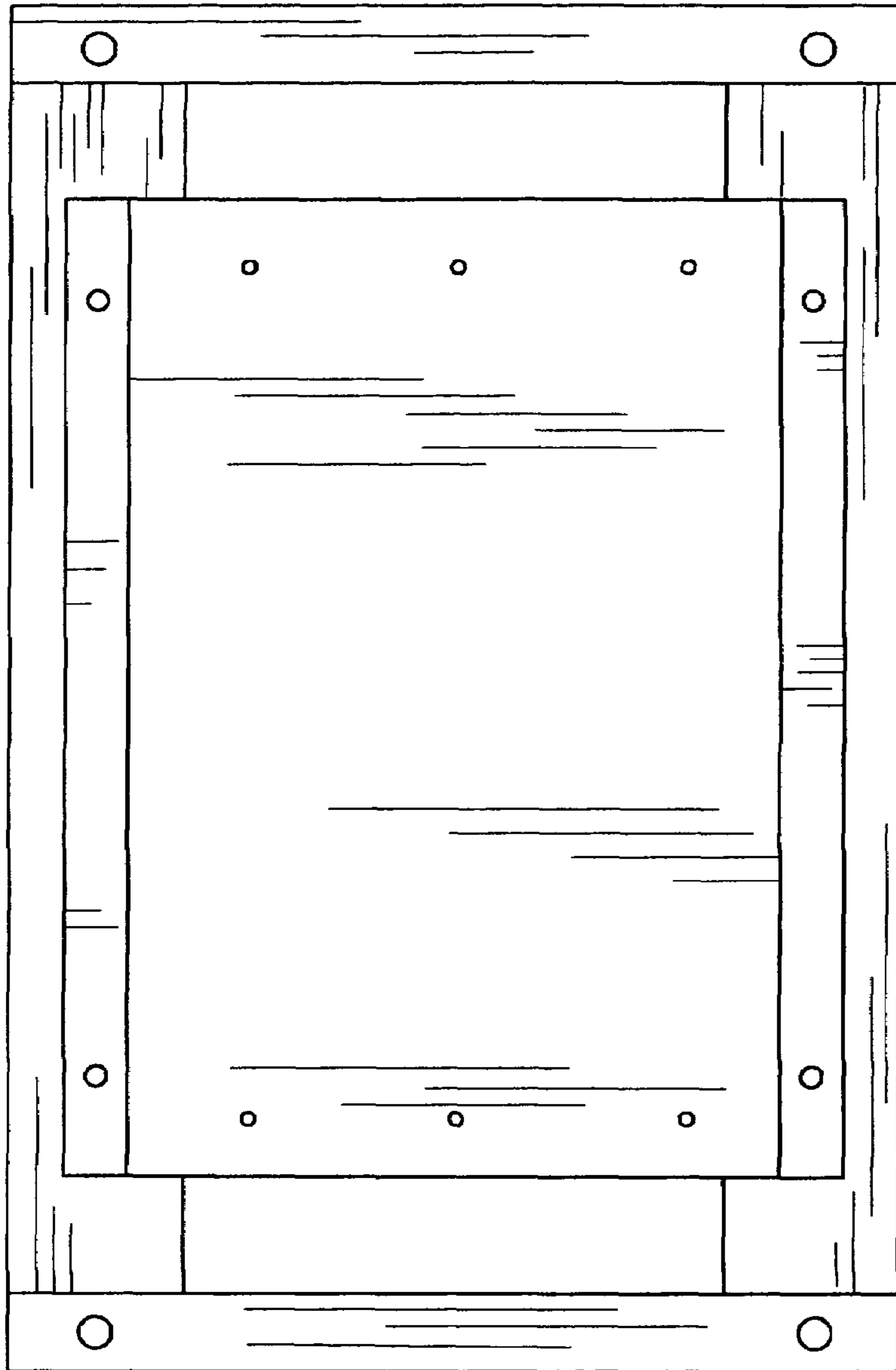


Fig. 7

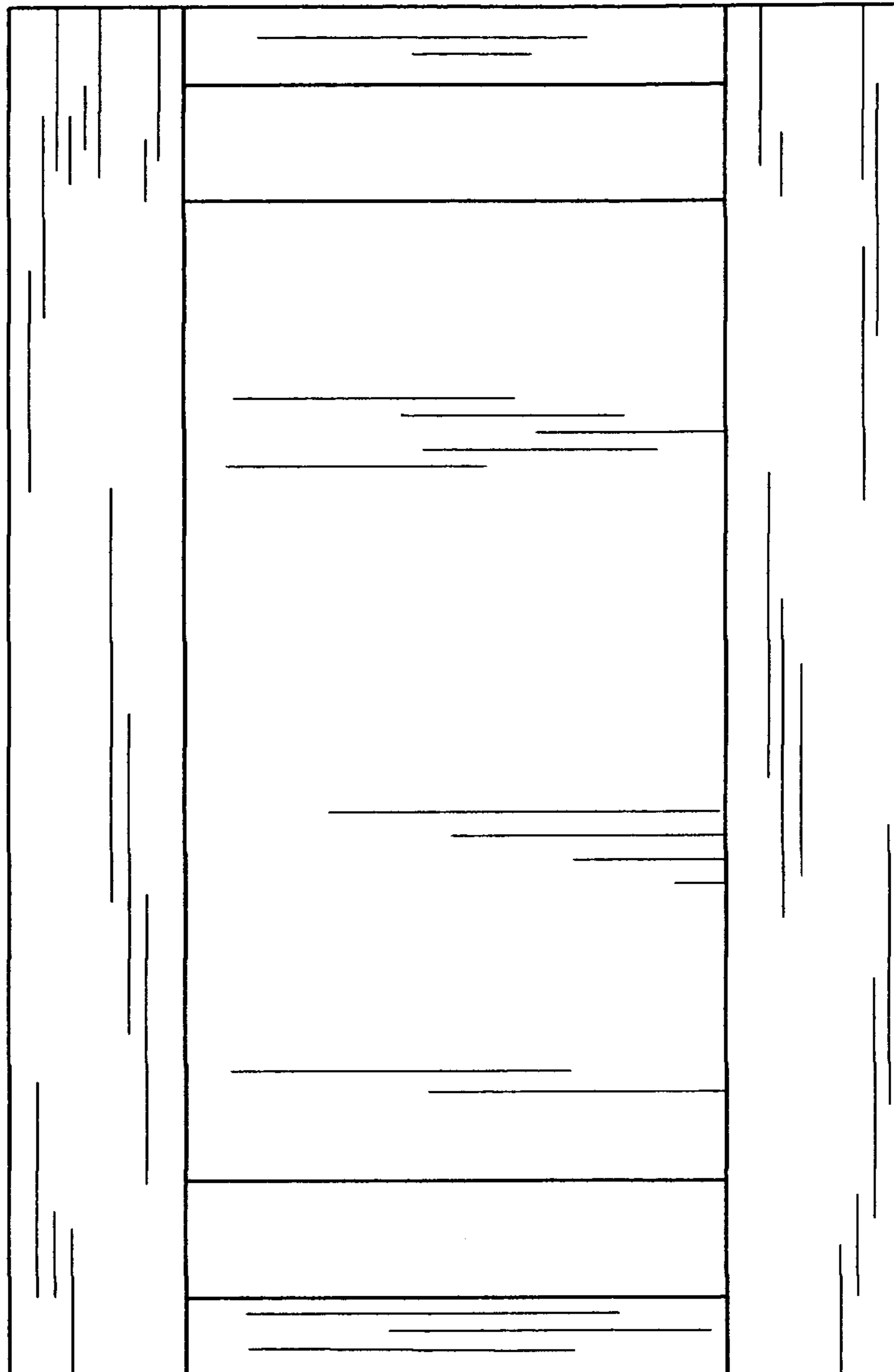


Fig. 8

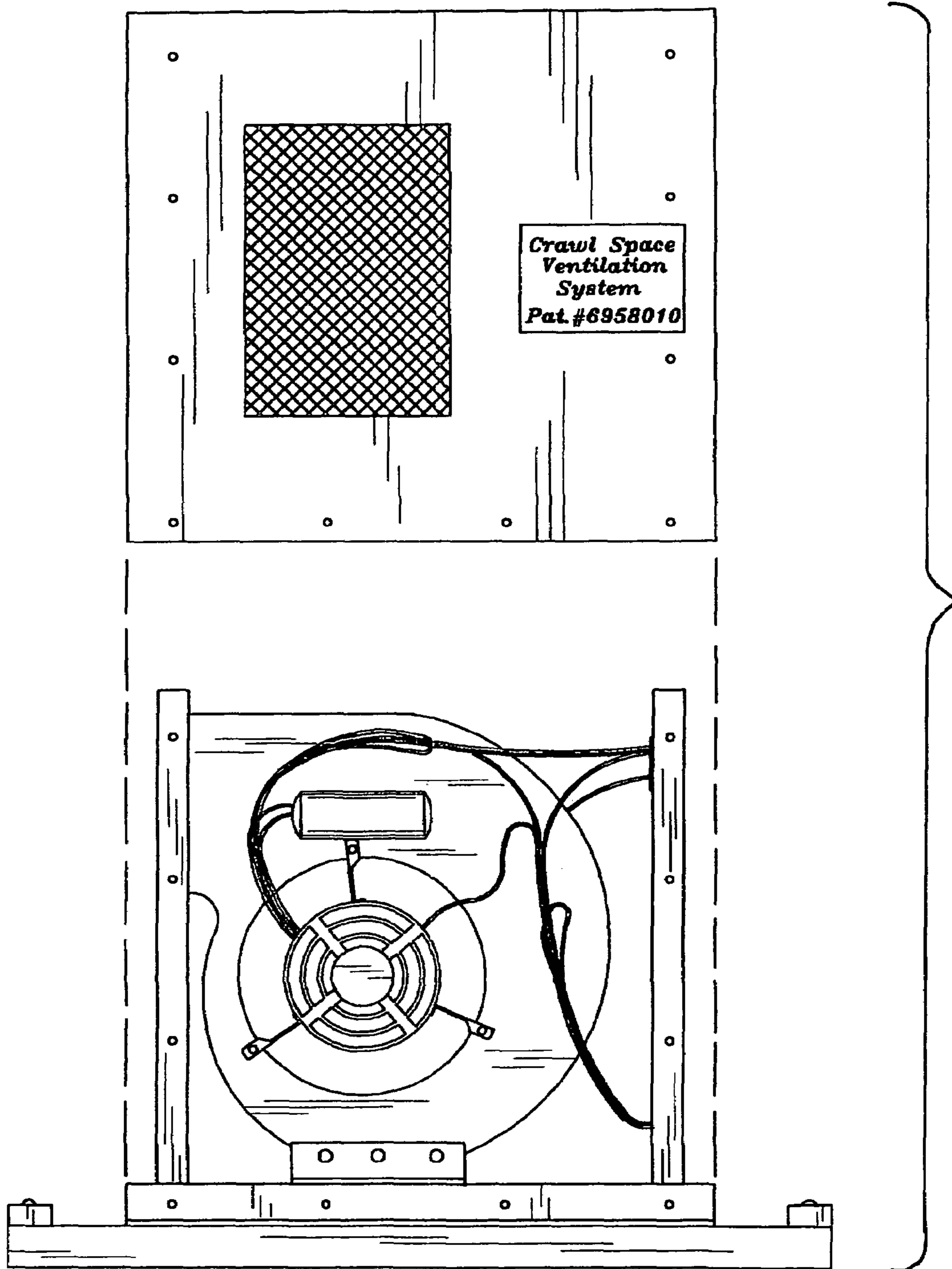


Fig. 9

