



US00D587792S

(12) **United States Design Patent**
Lebrun

(10) **Patent No.:** **US D587,792 S**
(45) **Date of Patent:** **** *Mar. 3, 2009**

(54) **BATHTUB**

(75) Inventor: **Nicolas Lebrun**, Saint-Isidore (CA)

(73) Assignee: **Maax Canada Inc.**, Lachine (Quebec)
(CA)

(*) Notice: This patent is subject to a terminal disclaimer.

(**) Term: **14 Years**

(21) Appl. No.: **29/302,386**

(22) Filed: **Jan. 16, 2008**

(51) **LOC (9) Cl.** **23-02**

(52) **U.S. Cl.** **D23/304**

(58) **Field of Classification Search** D23/275-277,
D23/304-305; 4/538, 663, 596, 612, 614;
D24/204-205

See application file for complete search history.

(56) **References Cited**

U.S. PATENT DOCUMENTS

3,736,924 A	6/1973	Jacuzzi	
3,864,762 A	2/1975	Finch	
3,964,472 A	6/1976	Nicollet	
D250,895 S	1/1979	Laver	
4,211,216 A	7/1980	Burgess et al.	
4,575,882 A	3/1986	Diamond	
4,583,252 A	4/1986	McCourt	
4,974,268 A	12/1990	Cors et al.	
D322,661 S	12/1991	Dannenberg	
D339,413 S *	9/1993	Dowse et al. D23/277

5,446,929 A	9/1995	Sills et al.	
5,604,940 A	2/1997	Shimizu	
D389,900 S *	1/1998	Jacuzzi D23/277
D409,294 S *	5/1999	Svendsen D24/277
6,691,337 B1	2/2004	Banks	
D541,389 S *	4/2007	DeBoer et al. D23/277
D566,287 S *	4/2008	da Costa D24/204
2005/0120472 A1	6/2005	Belford	

* cited by examiner

Primary Examiner—Robert A Delehanty
(74) *Attorney, Agent, or Firm*—Ogilvy Renault LLP;
Dominique Pomerleau

(57) **CLAIM**

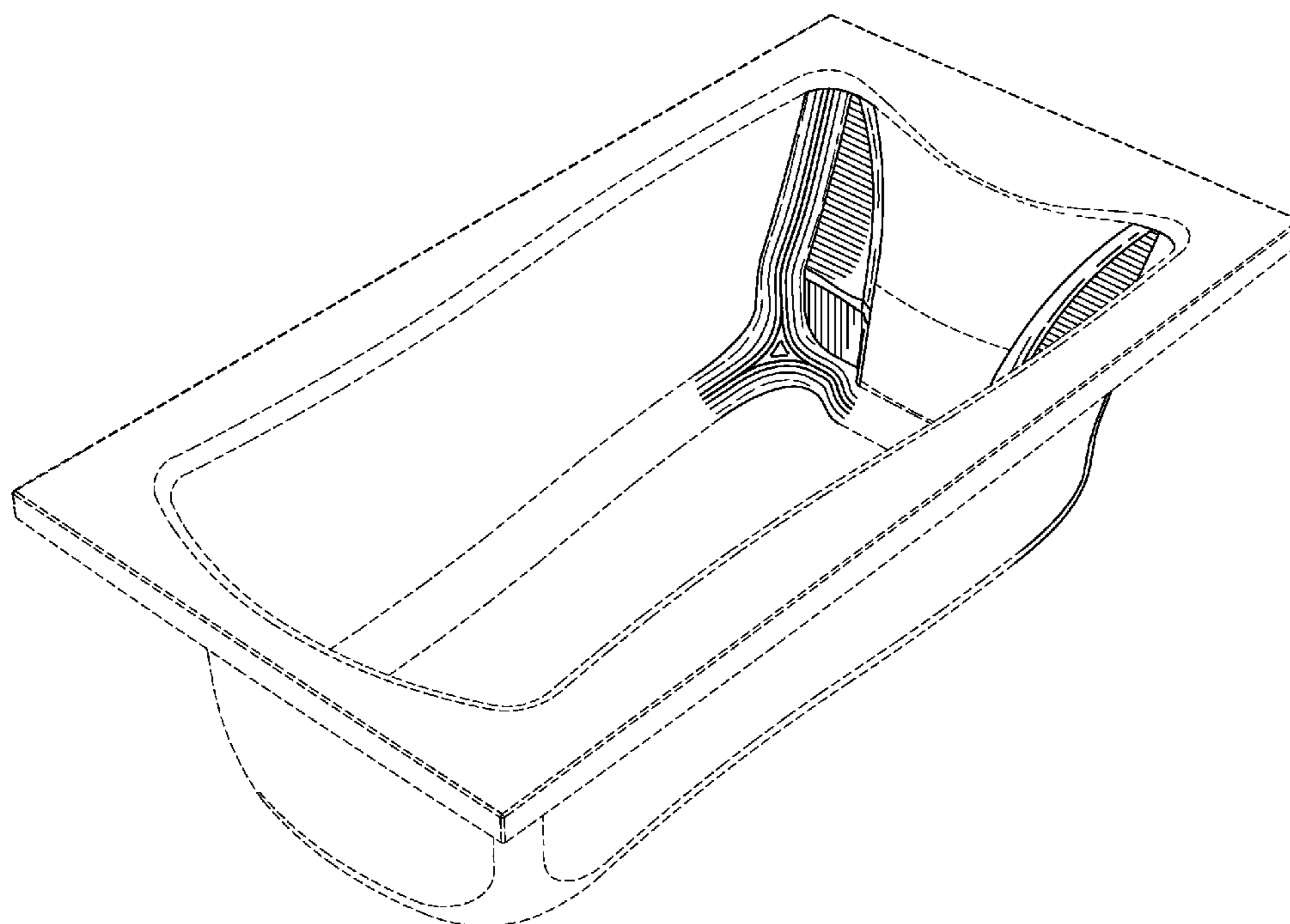
The ornamental design for a bathtub as shown and described.

DESCRIPTION

FIG. 1 is a top perspective view of a bathtub;
FIG. 2 is a top plan view thereof;
FIG. 3 is a right side elevation view thereof, the left side being a mirror image thereof;
FIG. 4 is a rear elevation view thereof;
FIG. 5 is a front elevation view thereof;
FIG. 6 is a bottom plan view thereof; and
FIG. 7 is a bottom perspective view thereof.

The dashed lines showing of structural lines is included for the purpose of illustrating non-claimed subject-matter and forms no part of the claimed design.

1 Claim, 5 Drawing Sheets



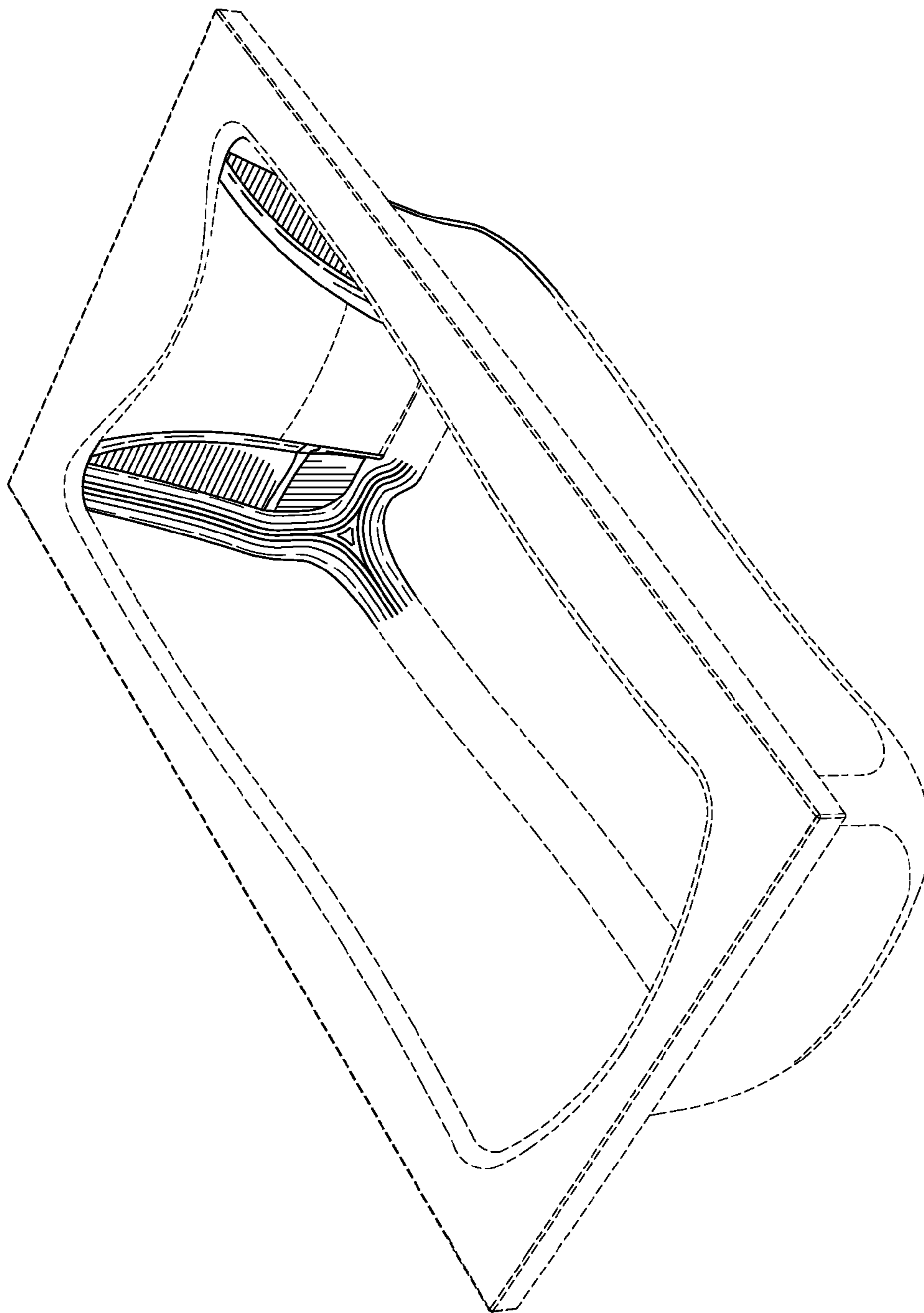


FIG. 1

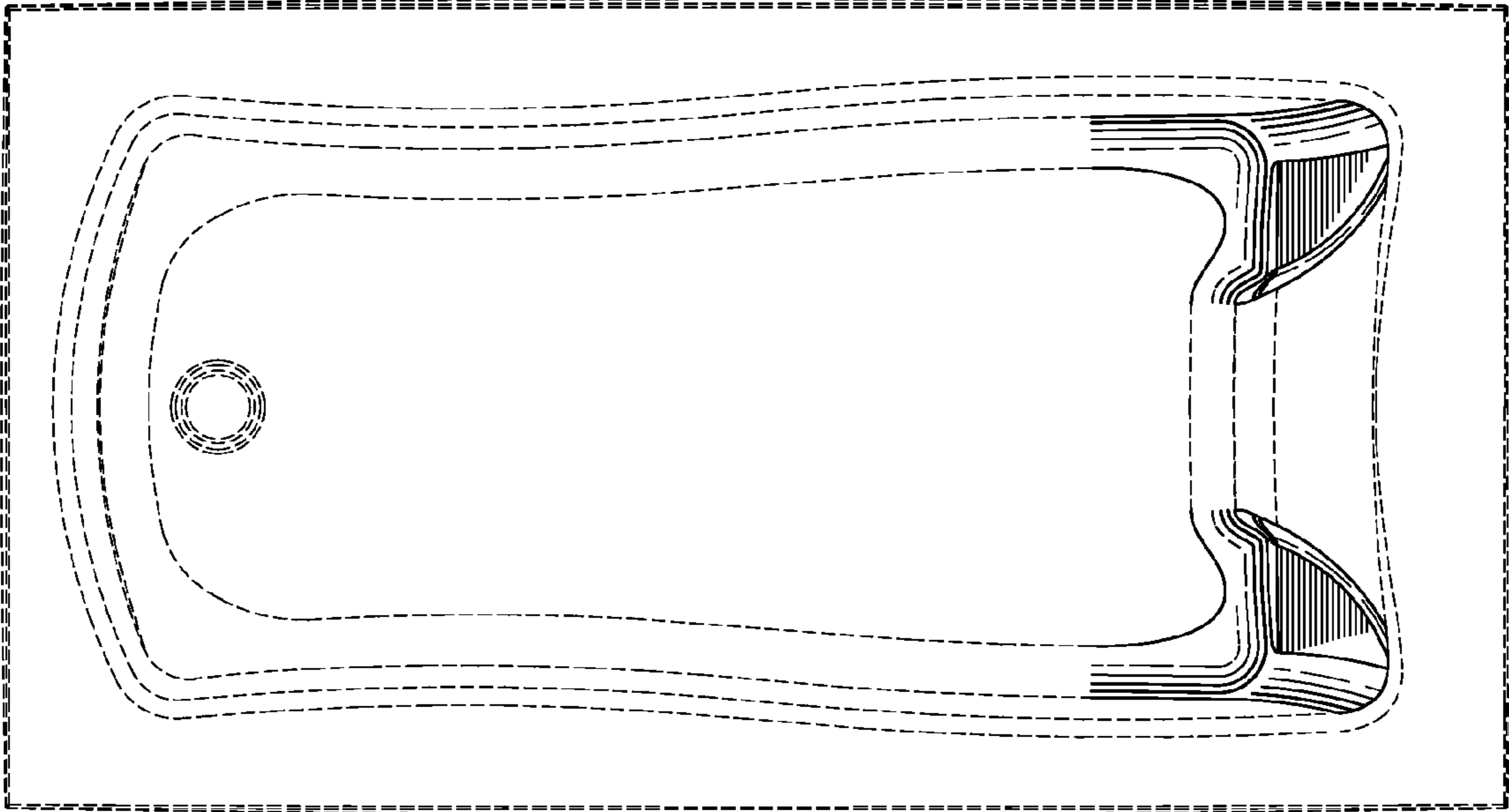


FIG. 2

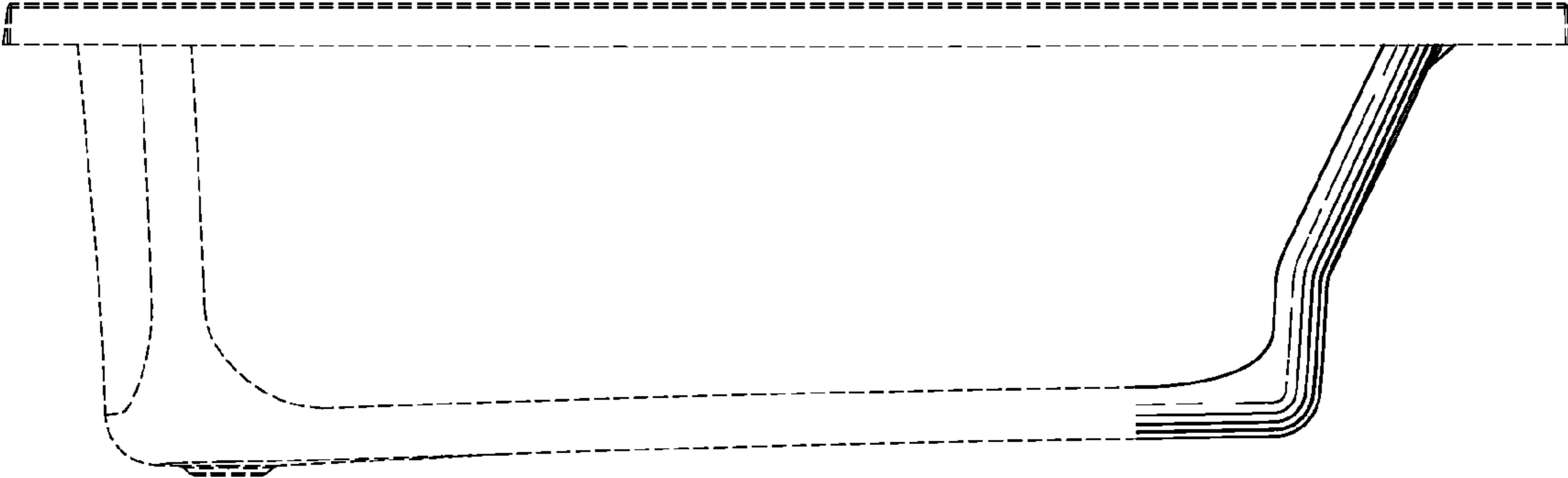


FIG. 3

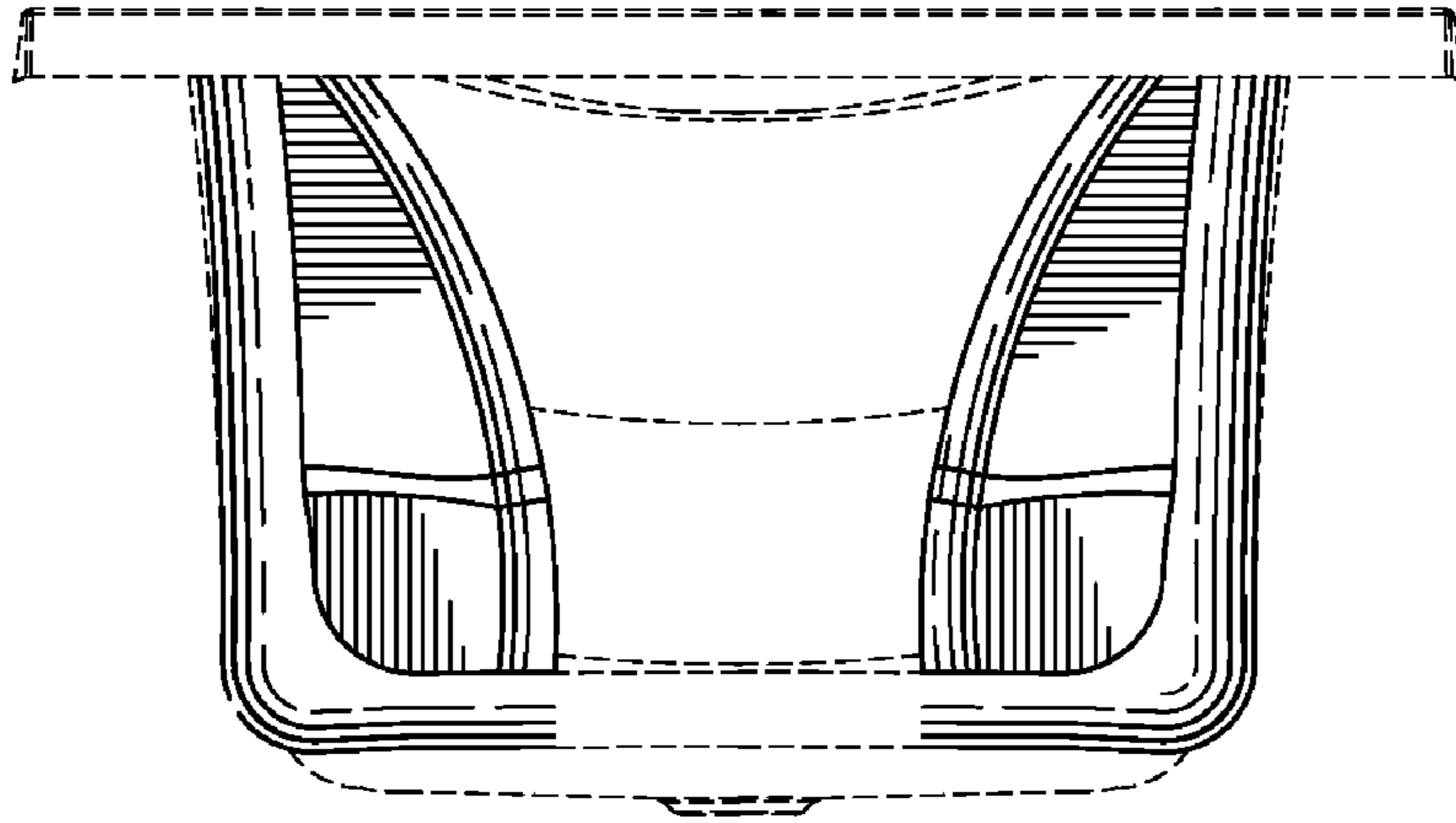


FIG. 4

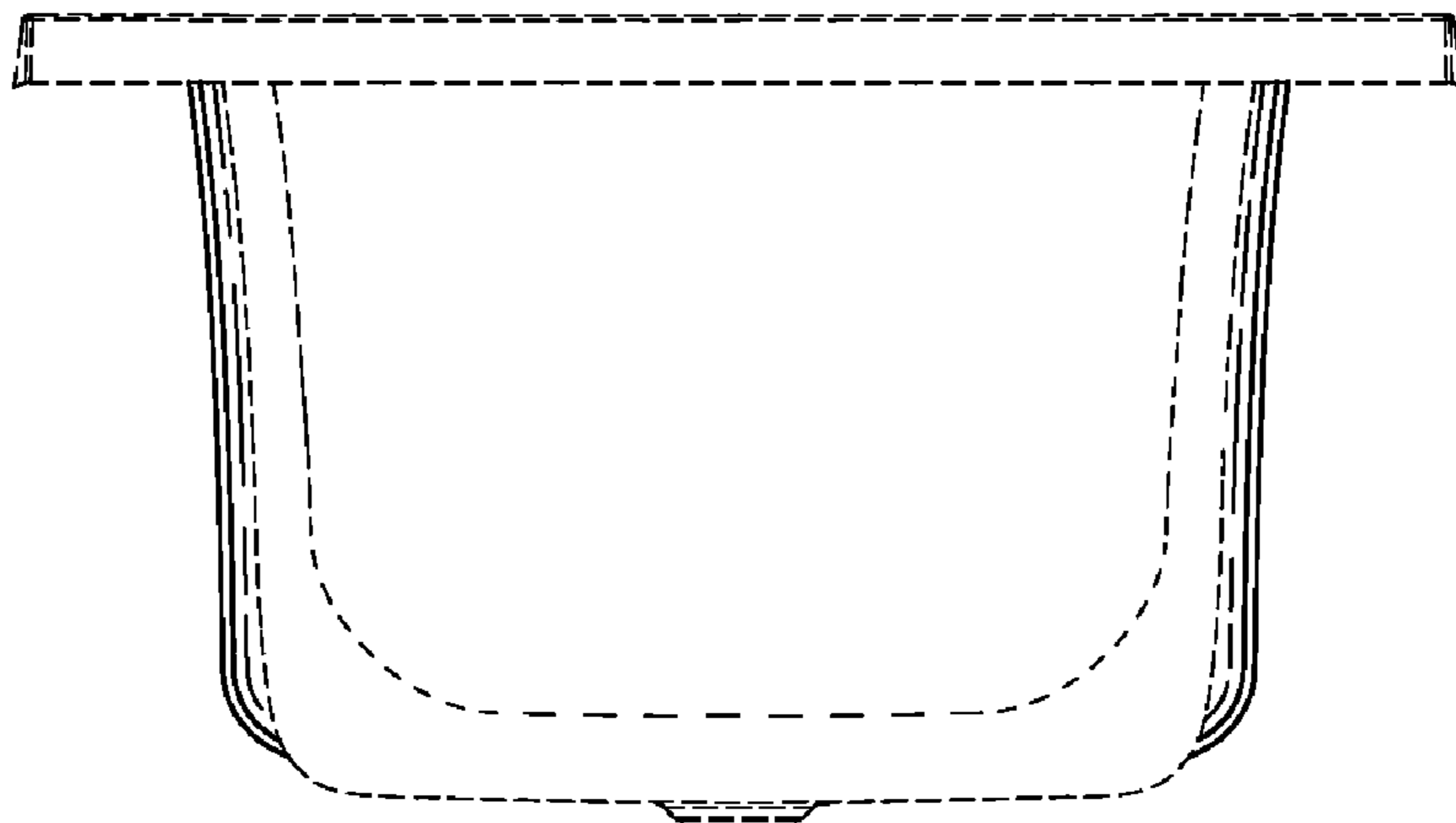


FIG. 5

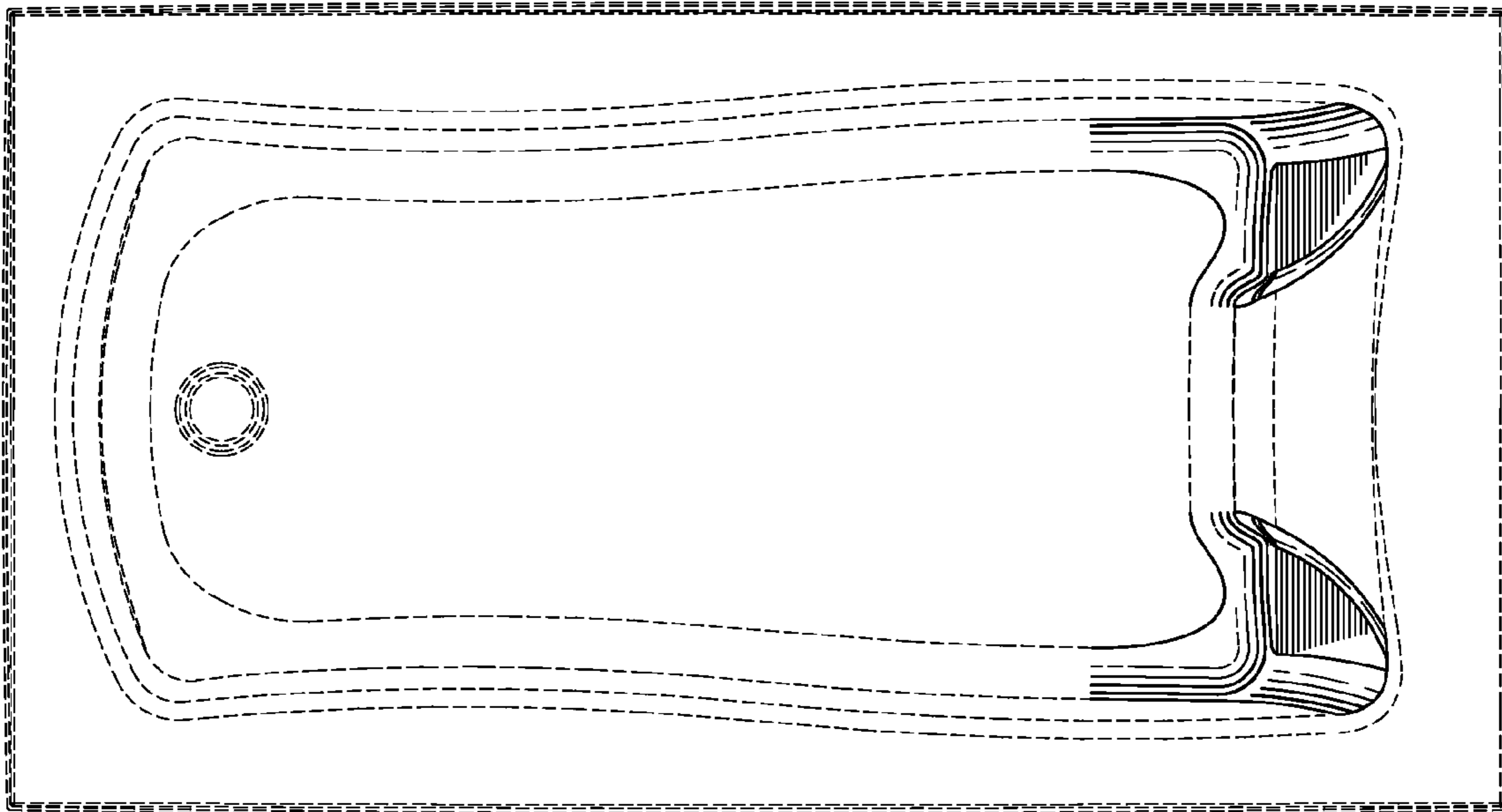


FIG. 6

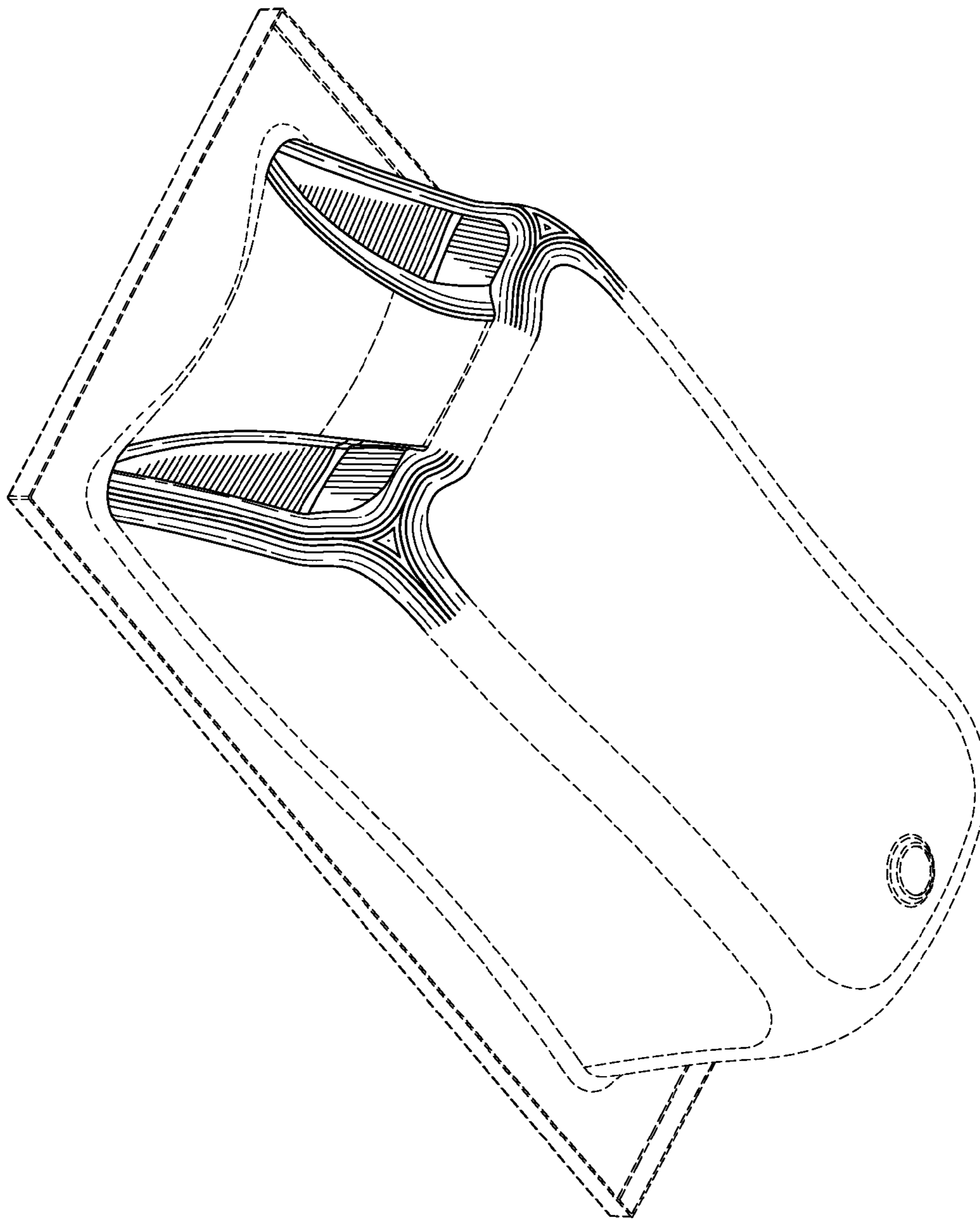


FIG. 7