



US00D587788S

(12) **United States Design Patent**  
**Kergoet**

(10) **Patent No.:** **US D587,788 S**  
(45) **Date of Patent:** **\*\* Mar. 3, 2009**

(54) **LAVATORY**

(75) Inventor: **Francois Kergoet**, Malakoff (FR)

(73) Assignee: **Kohler France SAS**, Paris Cedex (FR)

(\*\*) Term: **14 Years**

(21) Appl. No.: **29/284,279**

(22) Filed: **Sep. 5, 2007**

(30) **Foreign Application Priority Data**

Mar. 9, 2007 (EM) ..... 000686043

(51) **LOC (9) Cl.** ..... **23-02**

(52) **U.S. Cl.** ..... **D23/284; D23/287**

(58) **Field of Classification Search** ..... **D23/284,**  
**D23/287, 291-293.1, 303, 308; 4/630, 631,**  
**4/637, 638, 661**

See application file for complete search history.

*Primary Examiner*—Robert A Delehanty  
(74) *Attorney, Agent, or Firm*—Ladas & Parry LLP

(57) **CLAIM**

The ornamental design for a lavatory, as shown and described.

**DESCRIPTION**

FIG. 1 is at left, top, front perspective view of a lavatory embodying the new design;

FIG. 2 is a front elevational view thereof;

FIG. 3 is a rear elevational thereof;

FIG. 4 is a left side elevational view thereof;

FIG. 5 is a right side elevational view thereof;

FIG. 6 is a top plan view thereof; and,

FIG. 7 is a bottom plan view thereof.

**1 Claim, 4 Drawing Sheets**

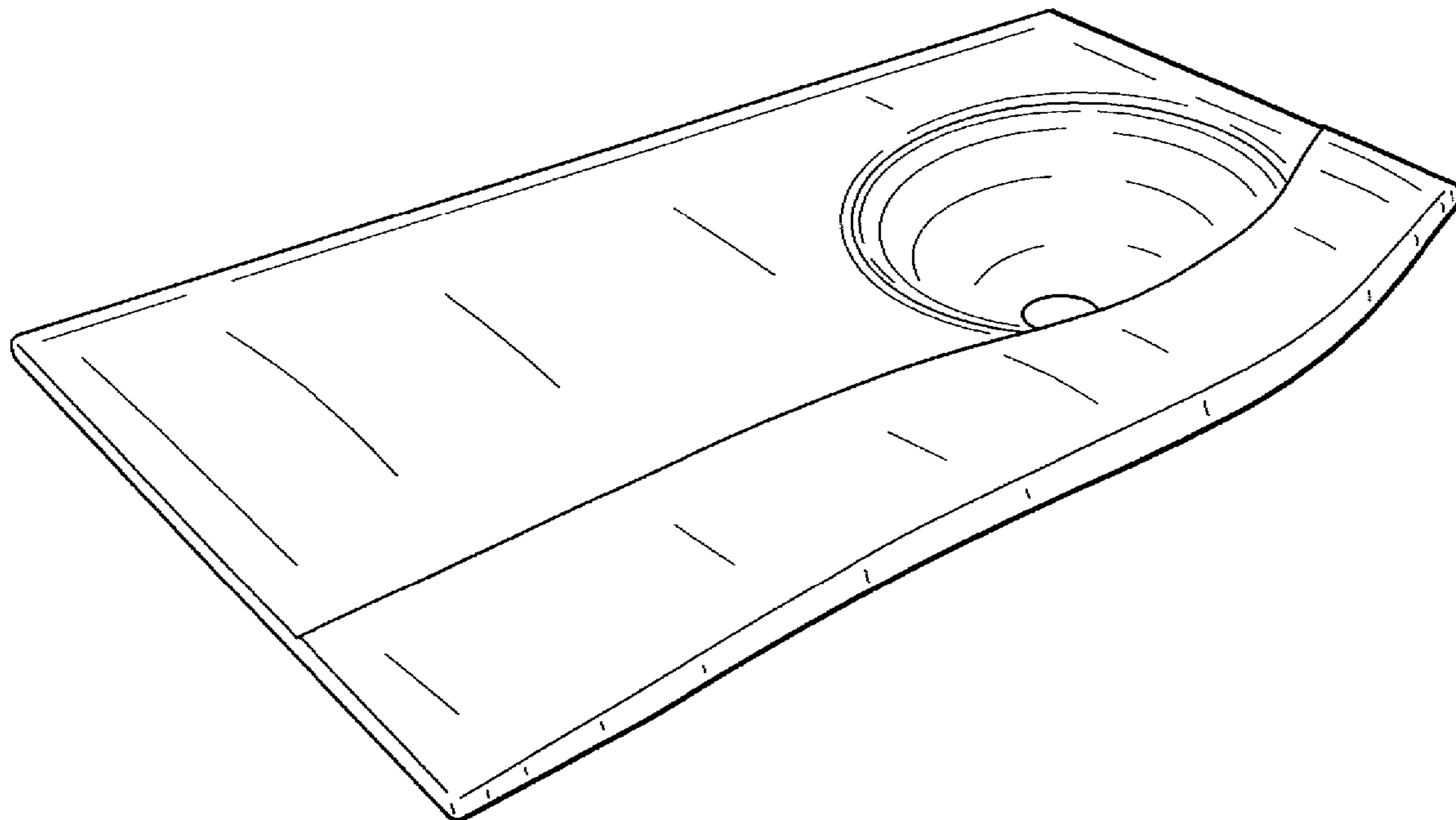


FIG. 1

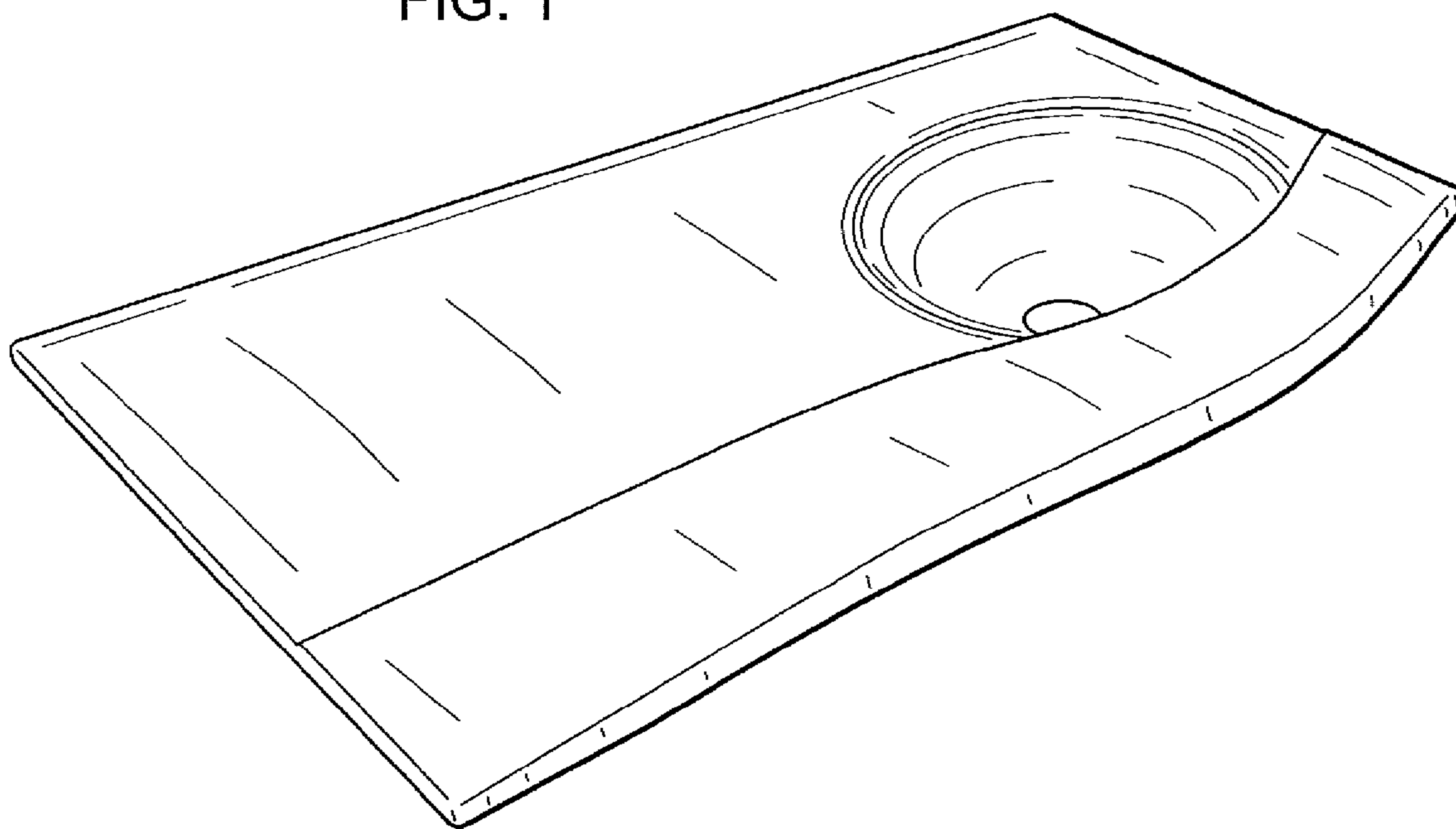


FIG. 2

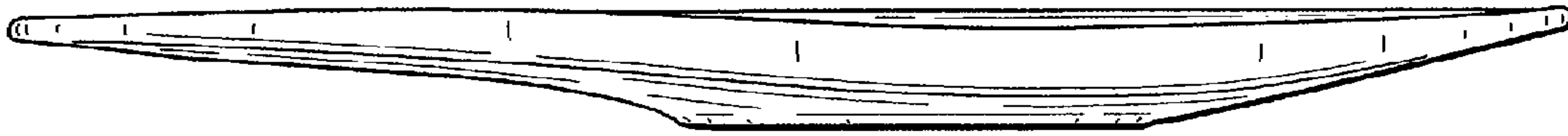


FIG. 3

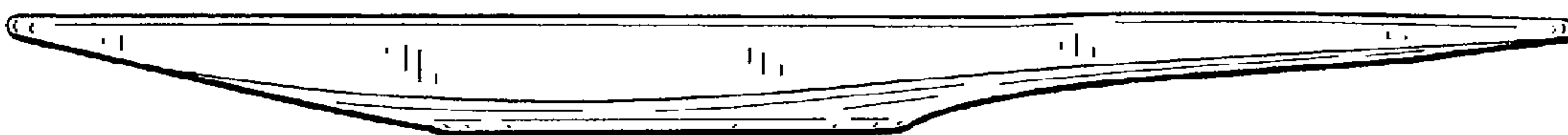


FIG. 4

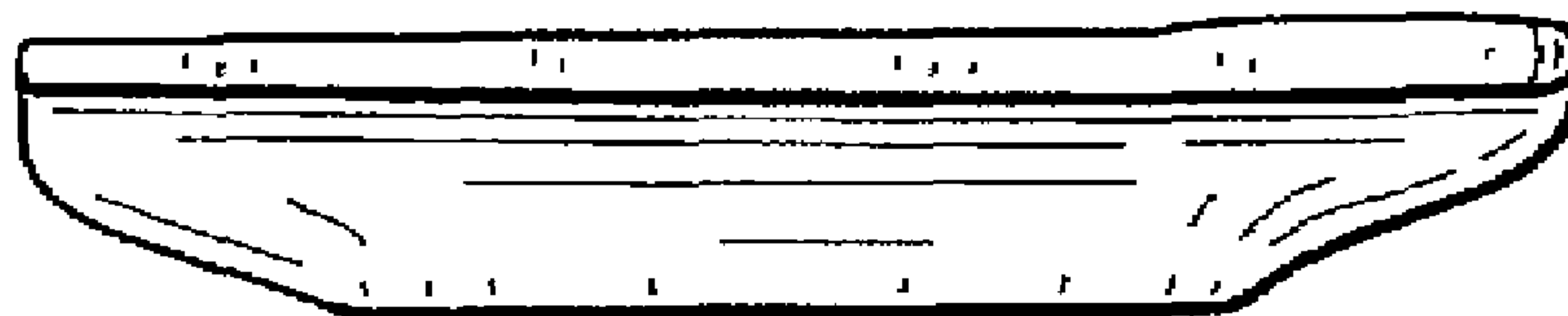


FIG. 5

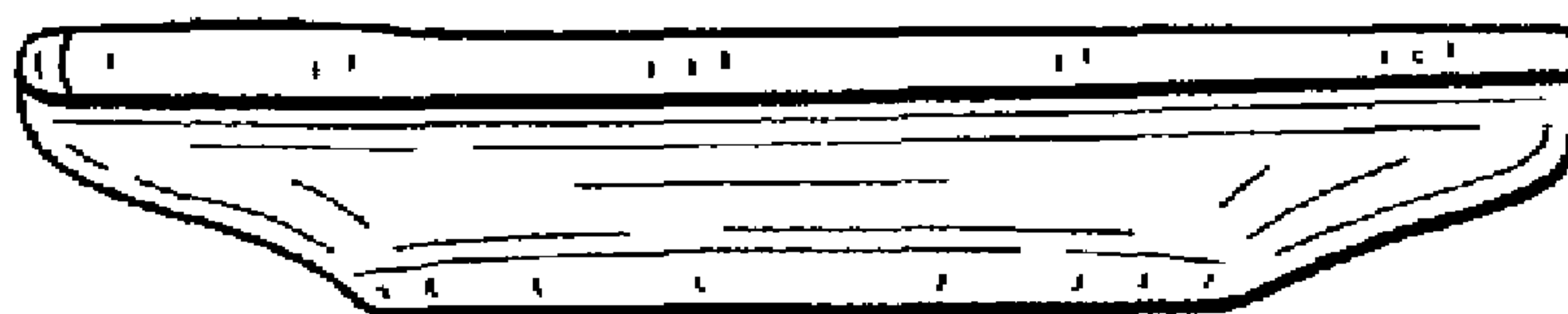


FIG. 6

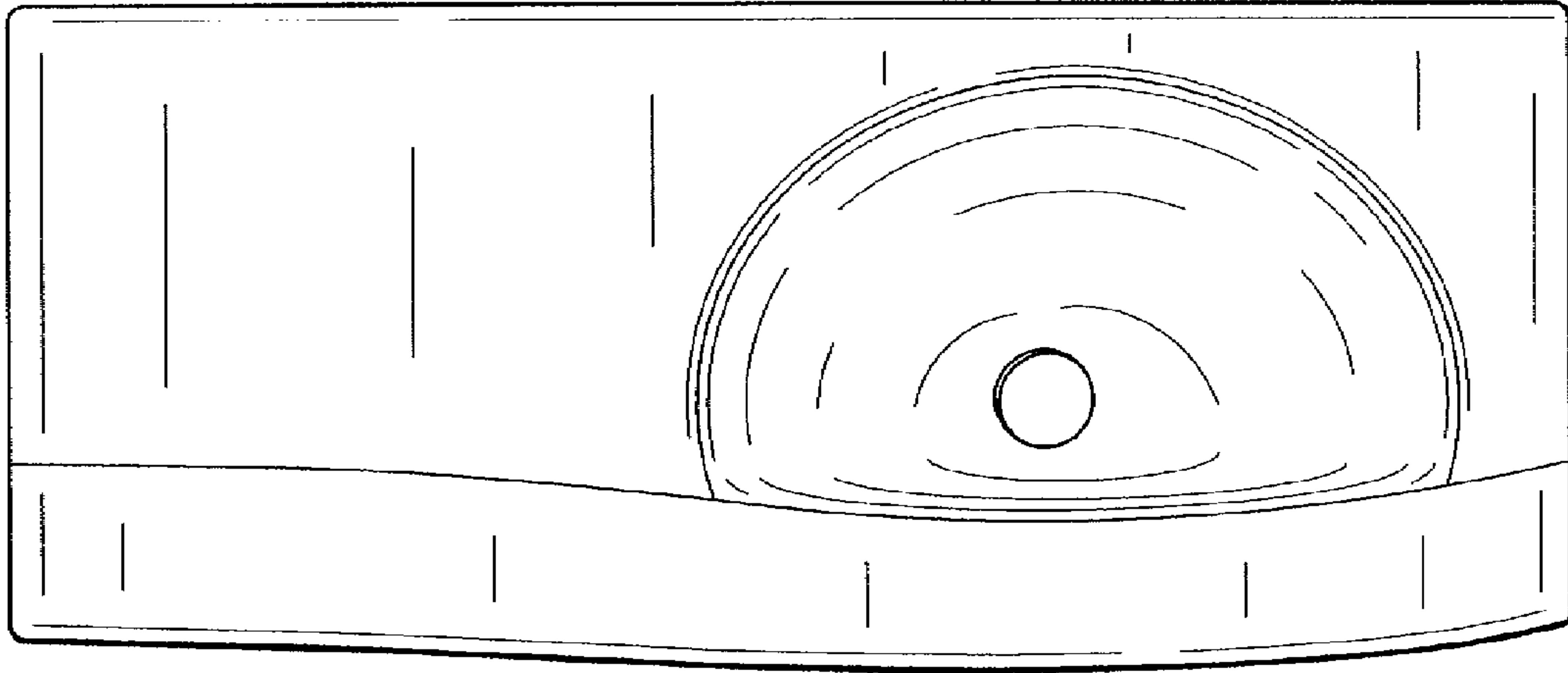


FIG. 7

