



US00D587787S

(12) **United States Design Patent**
Ismert et al.

(10) **Patent No.:** **US D587,787 S**
(45) **Date of Patent:** **** Mar. 3, 2009**

(54) **FLOOR DRAIN**

(75) Inventors: **Joseph P. Ismert**, Kansas City, MO (US); **Frank D. Julian**, Kansas City, MO (US); **Truman J. Stegmaier**, Lee's Summit, MO (US); **Rex L. Baer**, Harrisonville, MO (US)

(73) Assignee: **Sioux Chief Manufacturing Co., Inc.**, Peculiar, MO (US)

(**) Term: **14 Years**

(21) Appl. No.: **29/306,478**

(22) Filed: **Apr. 10, 2008**

(51) **LOC (9) Cl.** **23-01**

(52) **U.S. Cl.** **D23/263**

(58) **Field of Classification Search** D23/259-269;
4/286-295, 679-694, 596-614

See application file for complete search history.

(56) **References Cited**

U.S. PATENT DOCUMENTS

1,301,687 A * 4/1919 Grosvold 137/247.51
2,531,721 A * 11/1950 Brock 137/433
3,066,802 A * 12/1962 Loffler 210/163
3,406,829 A * 10/1968 Vande Bosche 210/164

3,854,151 A * 12/1974 Boudewyn 4/288
4,123,810 A * 11/1978 Oropallo 4/288
D280,925 S * 10/1985 Farnen D23/268
4,574,399 A * 3/1986 Sullivan 4/669

* cited by examiner

Primary Examiner—T. Chase Nelson

Assistant Examiner—Eric L Goodman

(74) *Attorney, Agent, or Firm*—Erickson, Kernell, Derousseau & Kleypas, LLC

(57) **CLAIM**

The ornamental design for a floor drain, as shown and described.

DESCRIPTION

FIG. 1 is a perspective view of a floor drain according to the present invention;

FIG. 2 is a left side elevational view thereof;

FIG. 3 is a right side elevational view thereof;

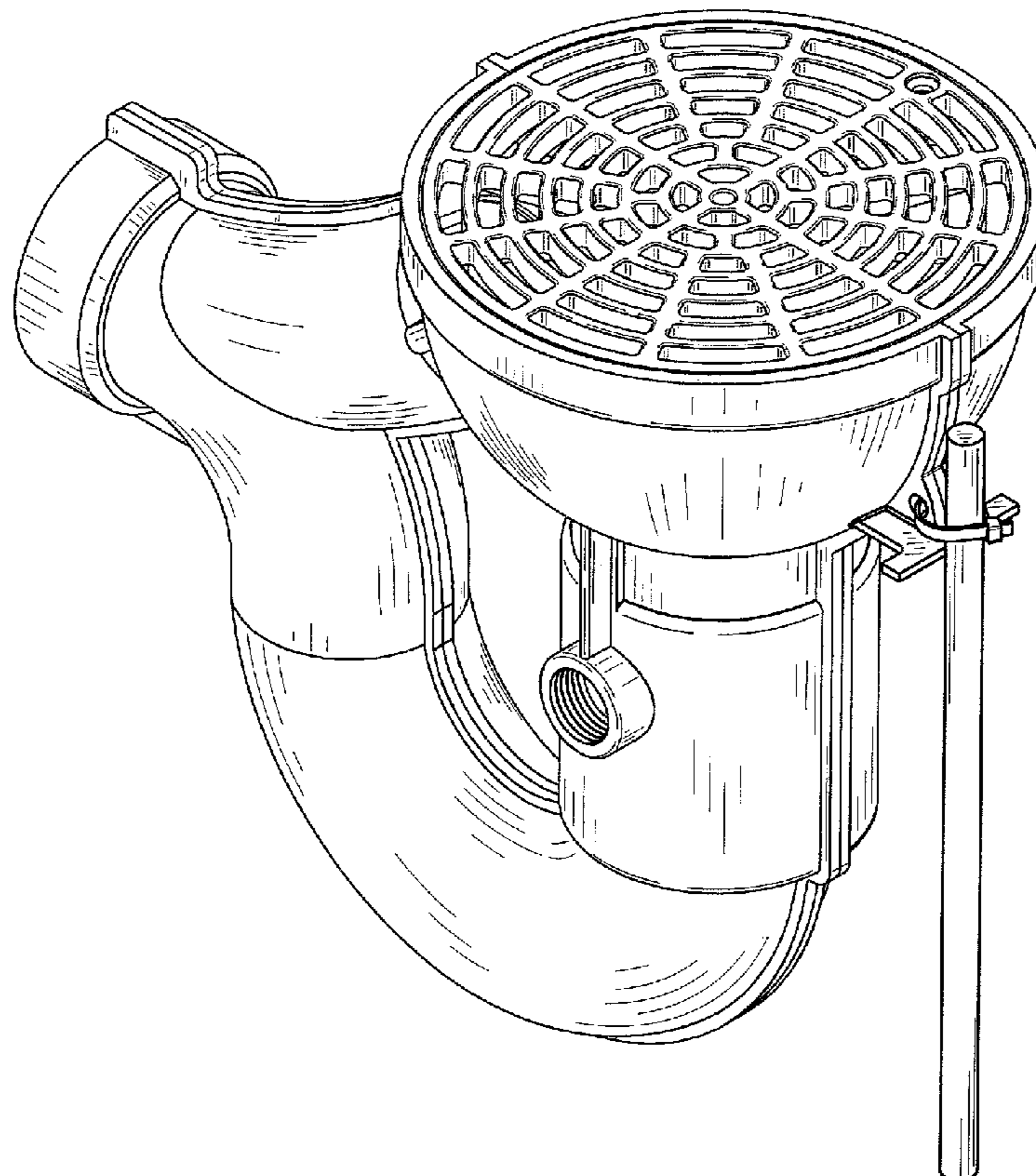
FIG. 4 is a front elevational view thereof;

FIG. 5 is a rear elevational view thereof;

FIG. 6 is a top plan view thereof; and,

FIG. 7 is a bottom plan view thereof.

1 Claim, 4 Drawing Sheets



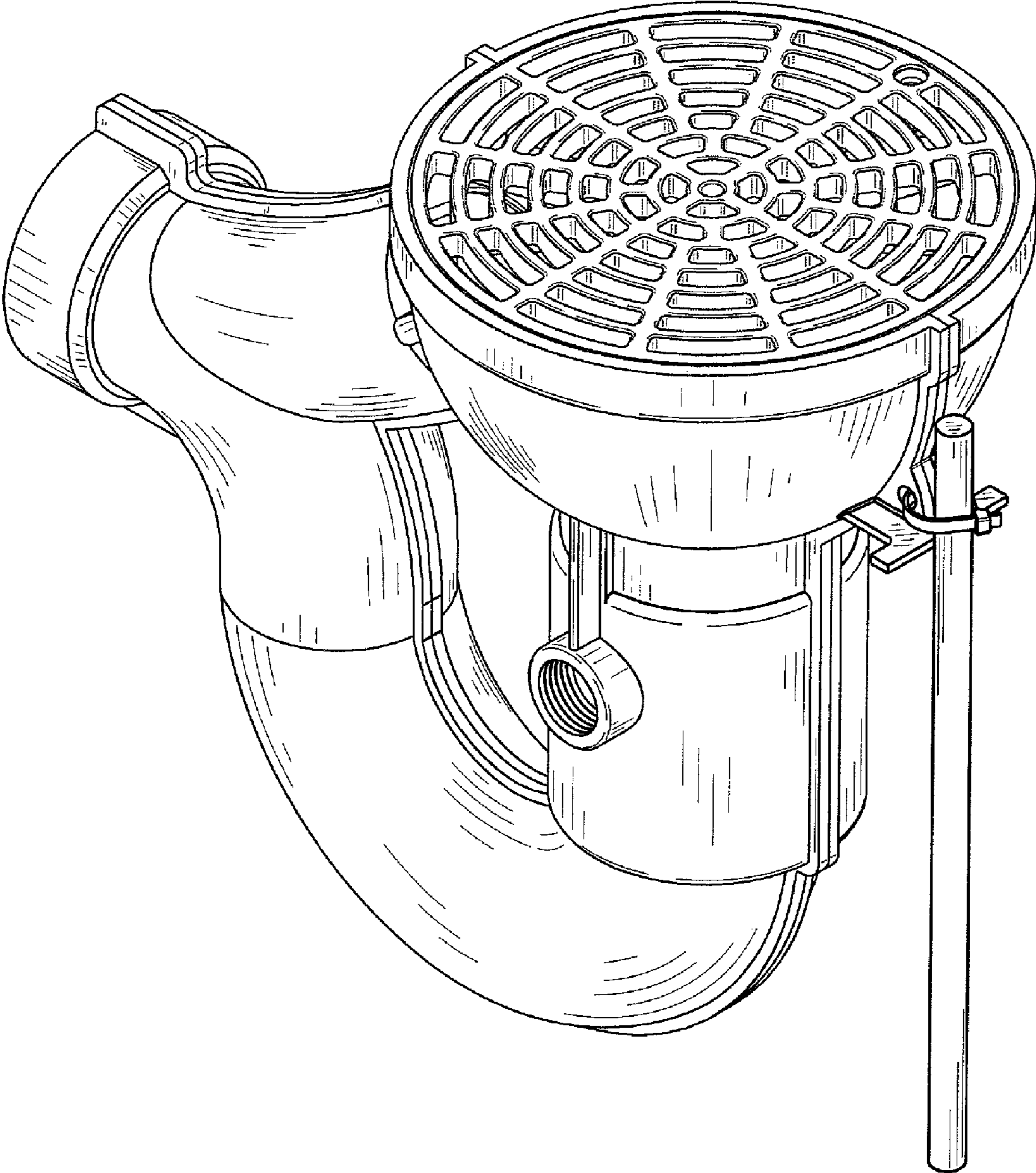


FIG. 1

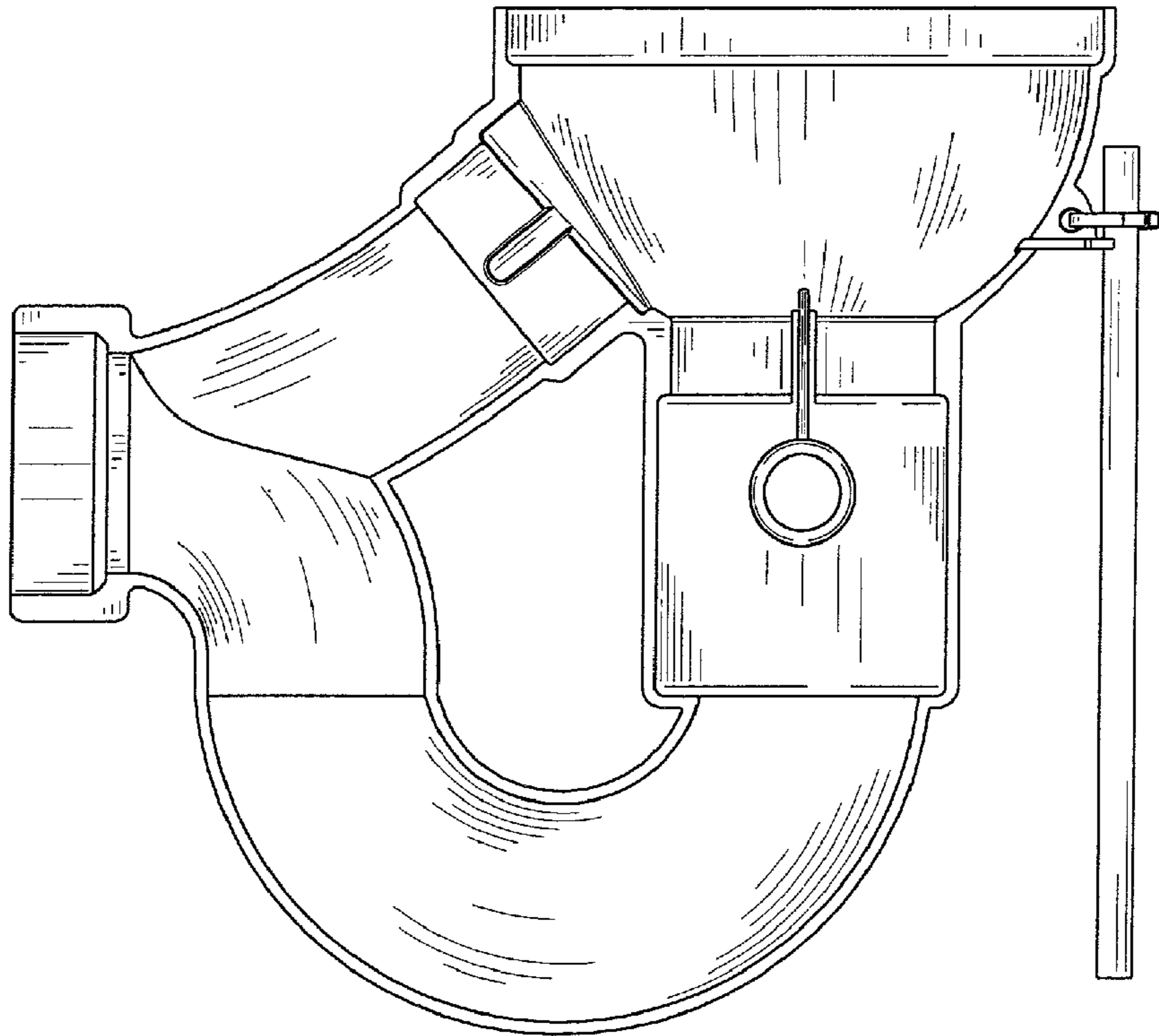


FIG. 2

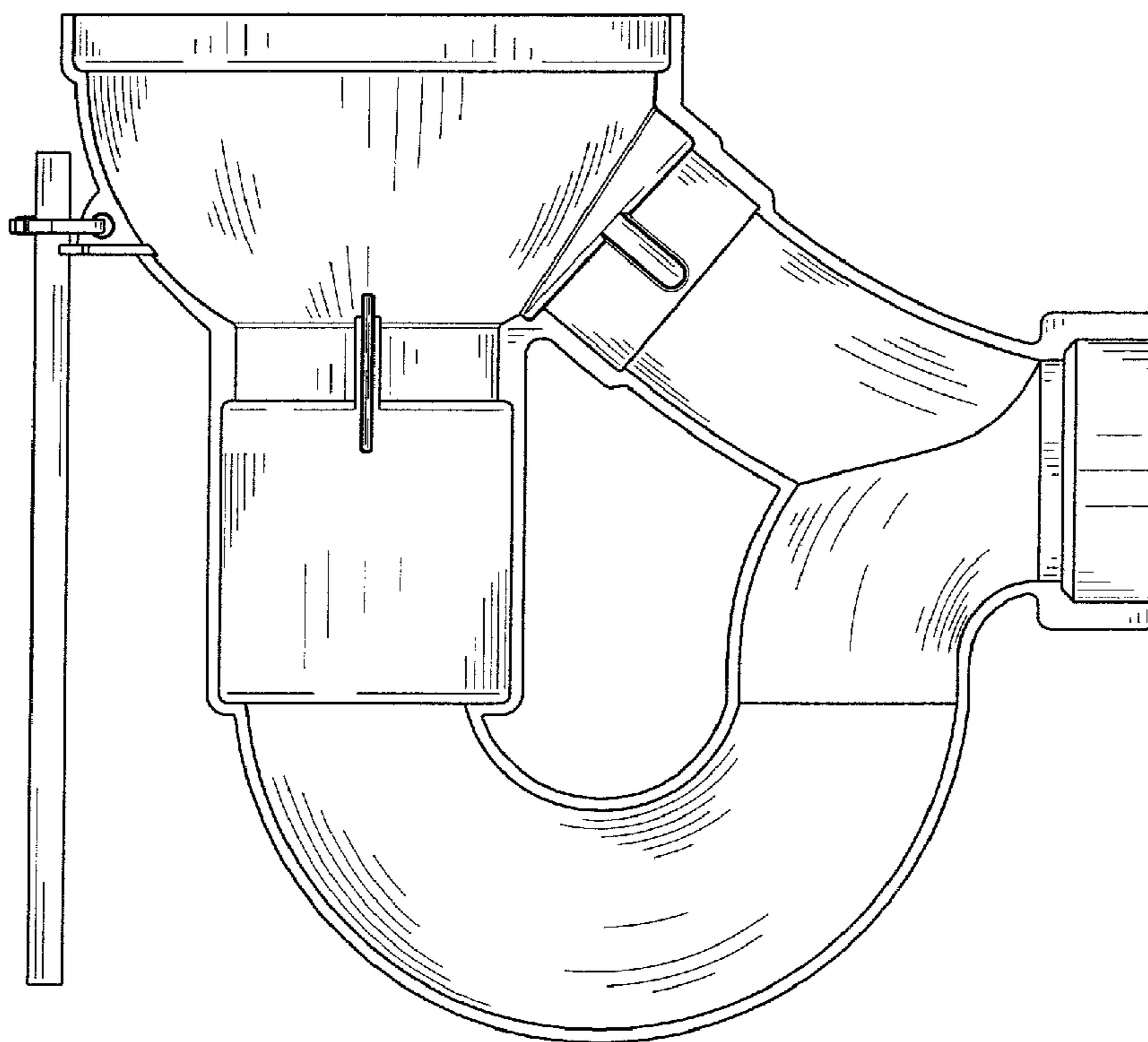


FIG. 3

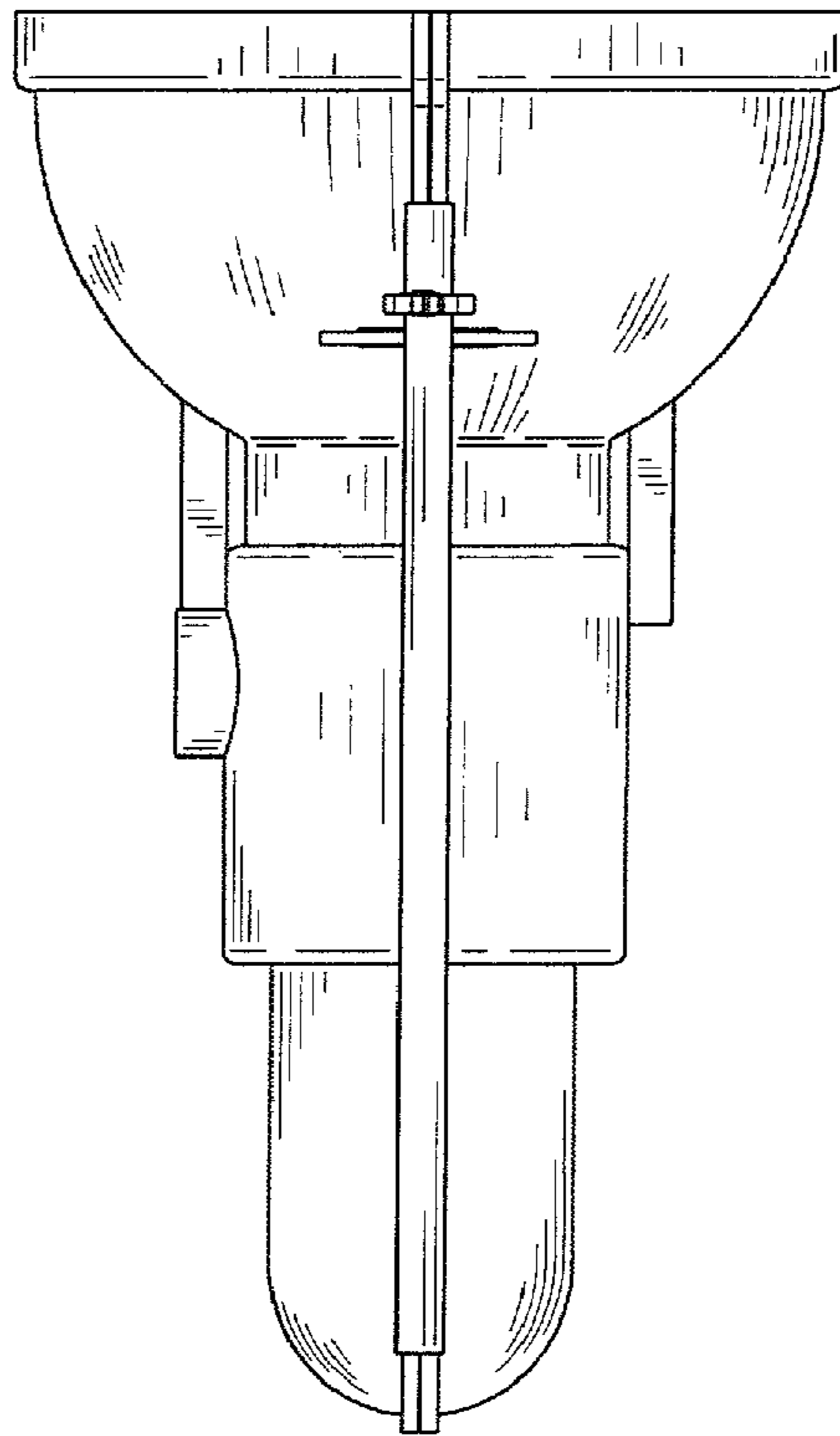


FIG. 4

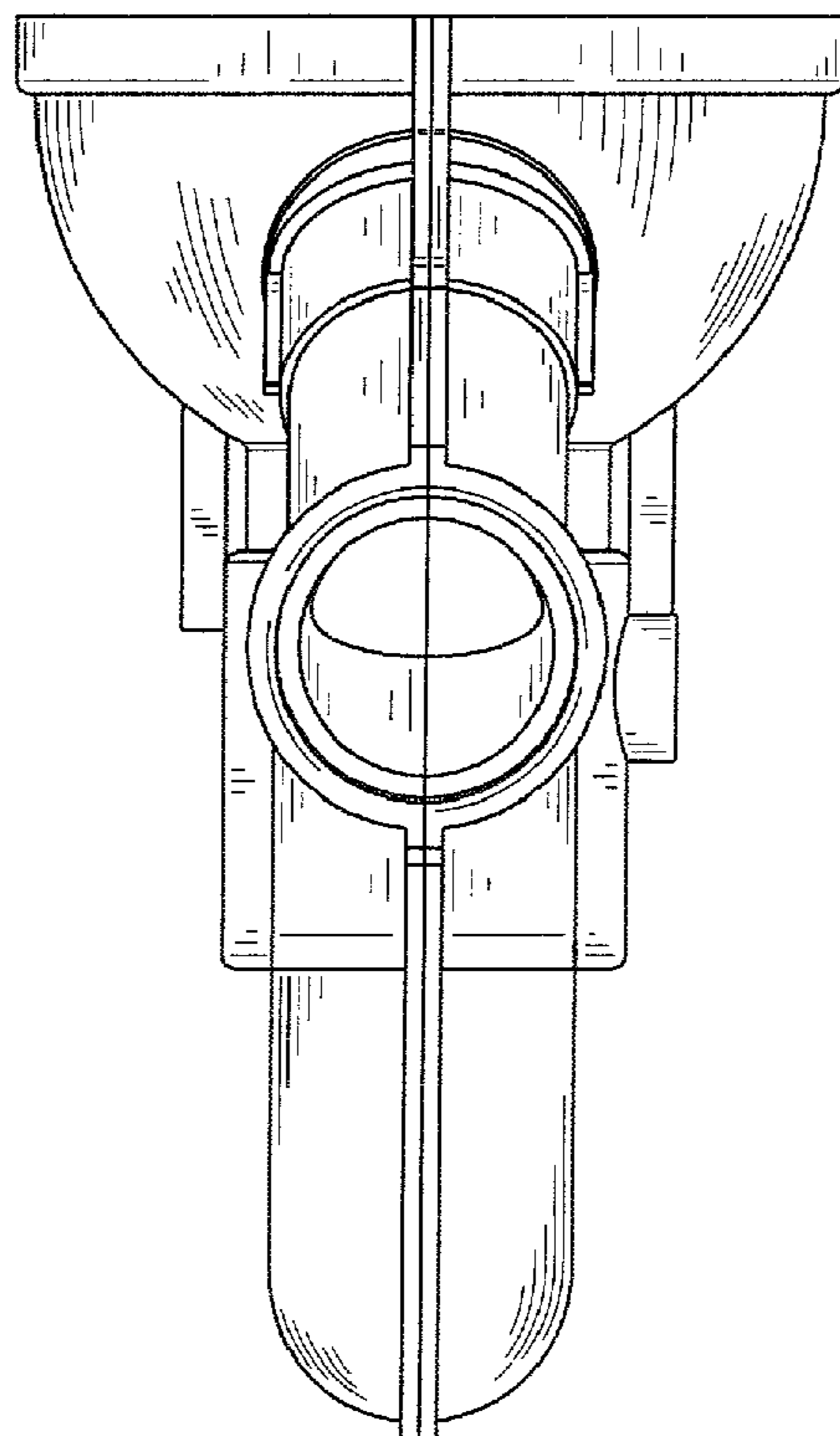


FIG. 5

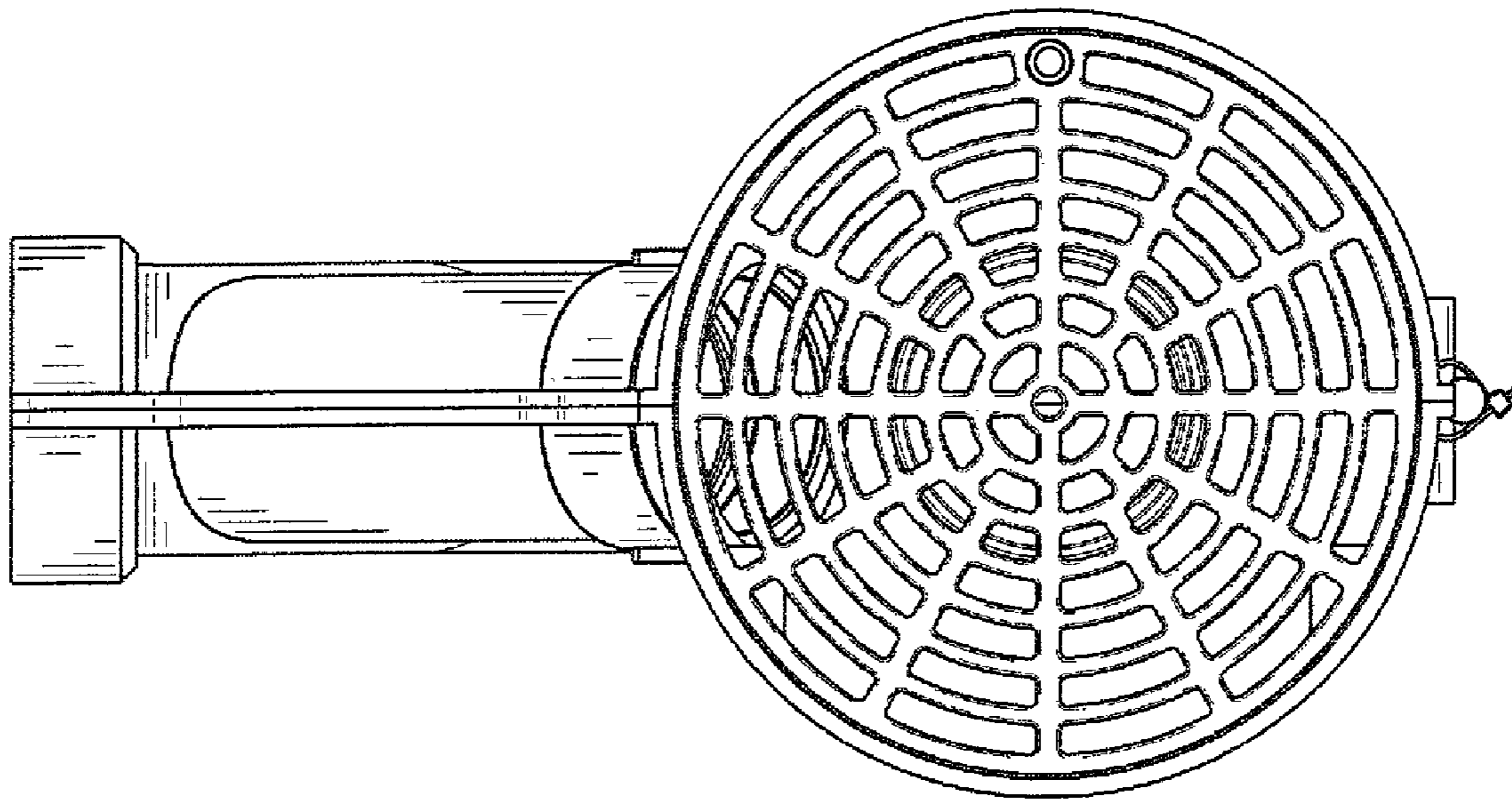


FIG. 6

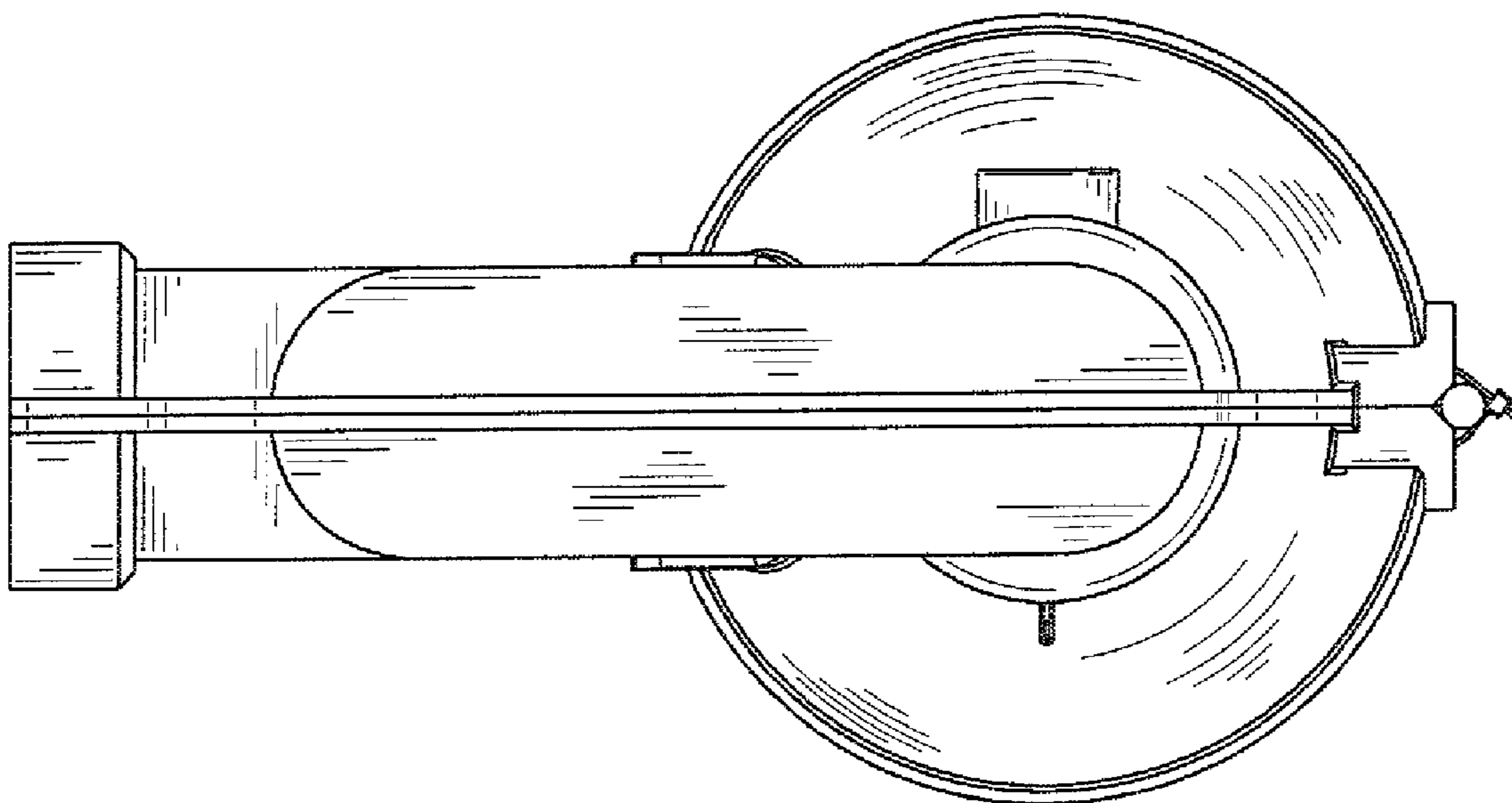


FIG. 7