



US00D587786S

(12) **United States Design Patent**  
**Williams**

(10) **Patent No.:** **US D587,786 S**  
(45) **Date of Patent:** **\*\* Mar. 3, 2009**

(54) **FAUCET HANDLE**

D577,422 S \* 9/2008 Williams ..... D23/241

(75) Inventor: **Emilie A. Williams**, Chicago, IL (US)

\* cited by examiner

(73) Assignee: **Masco Corporation of Indiana**,  
Indianapolis, IN (US)

*Primary Examiner*—Robert A Delehanty  
(74) *Attorney, Agent, or Firm*—Leon E. Redman

(\*\*) Term: **14 Years**

(57) **CLAIM**

(21) Appl. No.: **29/329,155**

The ornamental design for a faucet handle, as shown and described.

(22) Filed: **Dec. 10, 2008**

**DESCRIPTION**

(51) **LOC (9) Cl.** ..... **23-01**

(52) **U.S. Cl.** ..... **D23/252**

(58) **Field of Classification Search** ..... D23/238–243,  
D23/250–254, 304; 4/675–678; 137/801;  
16/110.1; D8/307–308, 321; D6/550  
See application file for complete search history.

FIG. 1 is a front perspective view of a faucet handle showing my new design;

FIG. 2 is a front elevational view thereof;

FIG. 3 is a rear elevational view thereof;

FIG. 4 is a right side elevational view thereof;

FIG. 5 is a left side elevational view thereof; and,

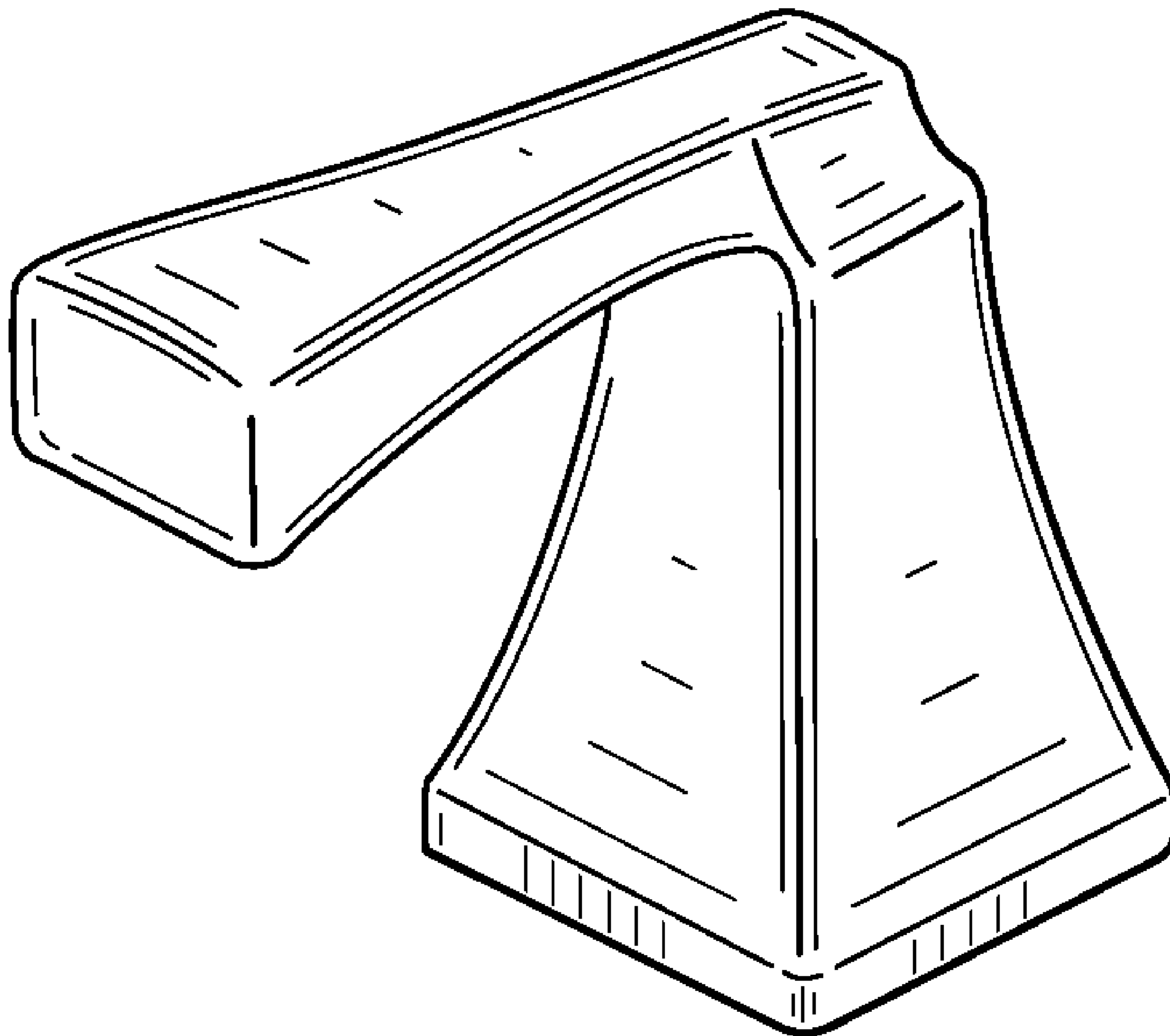
FIG. 6 is a top plan view thereof.

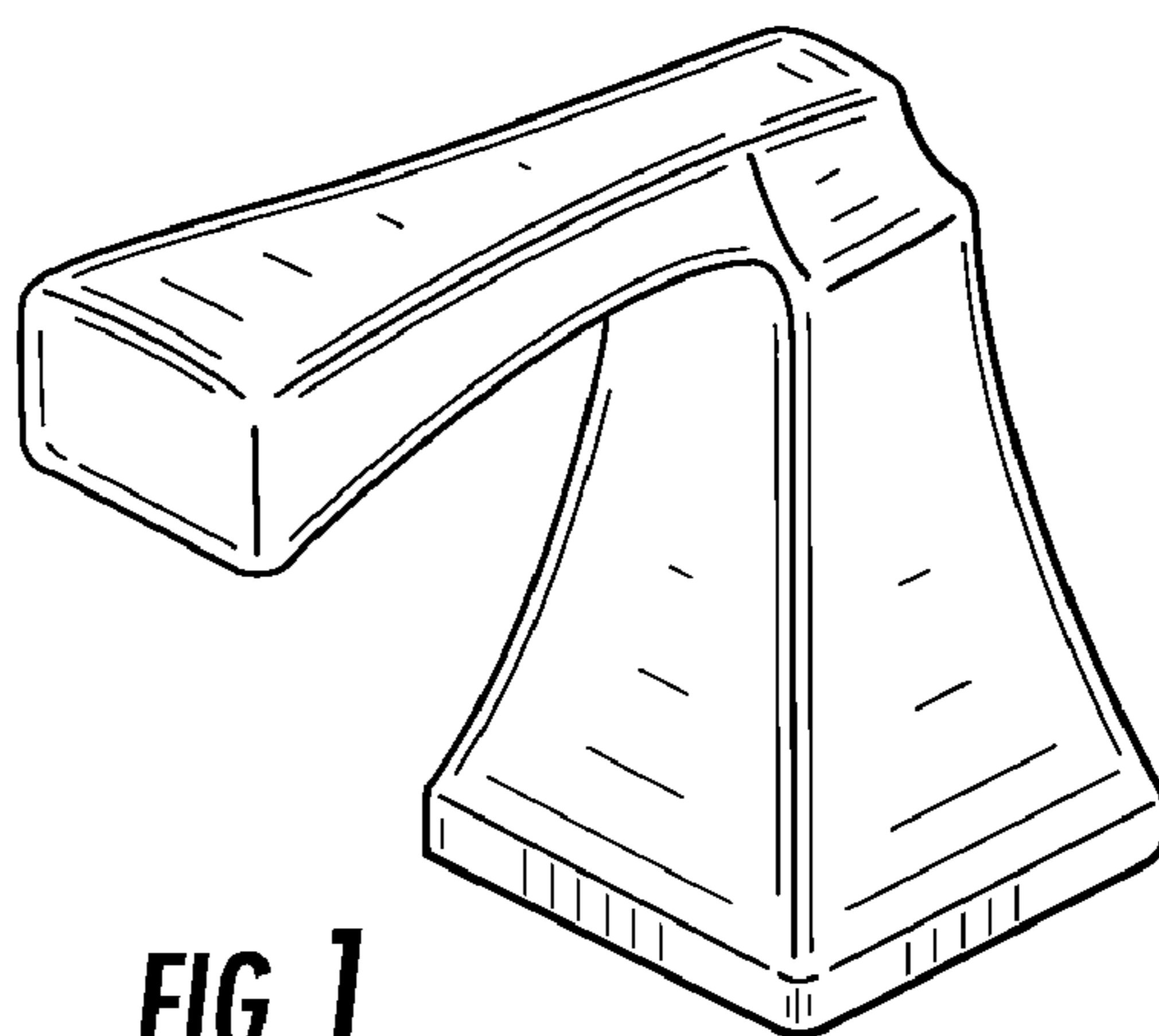
(56) **References Cited**

**U.S. PATENT DOCUMENTS**

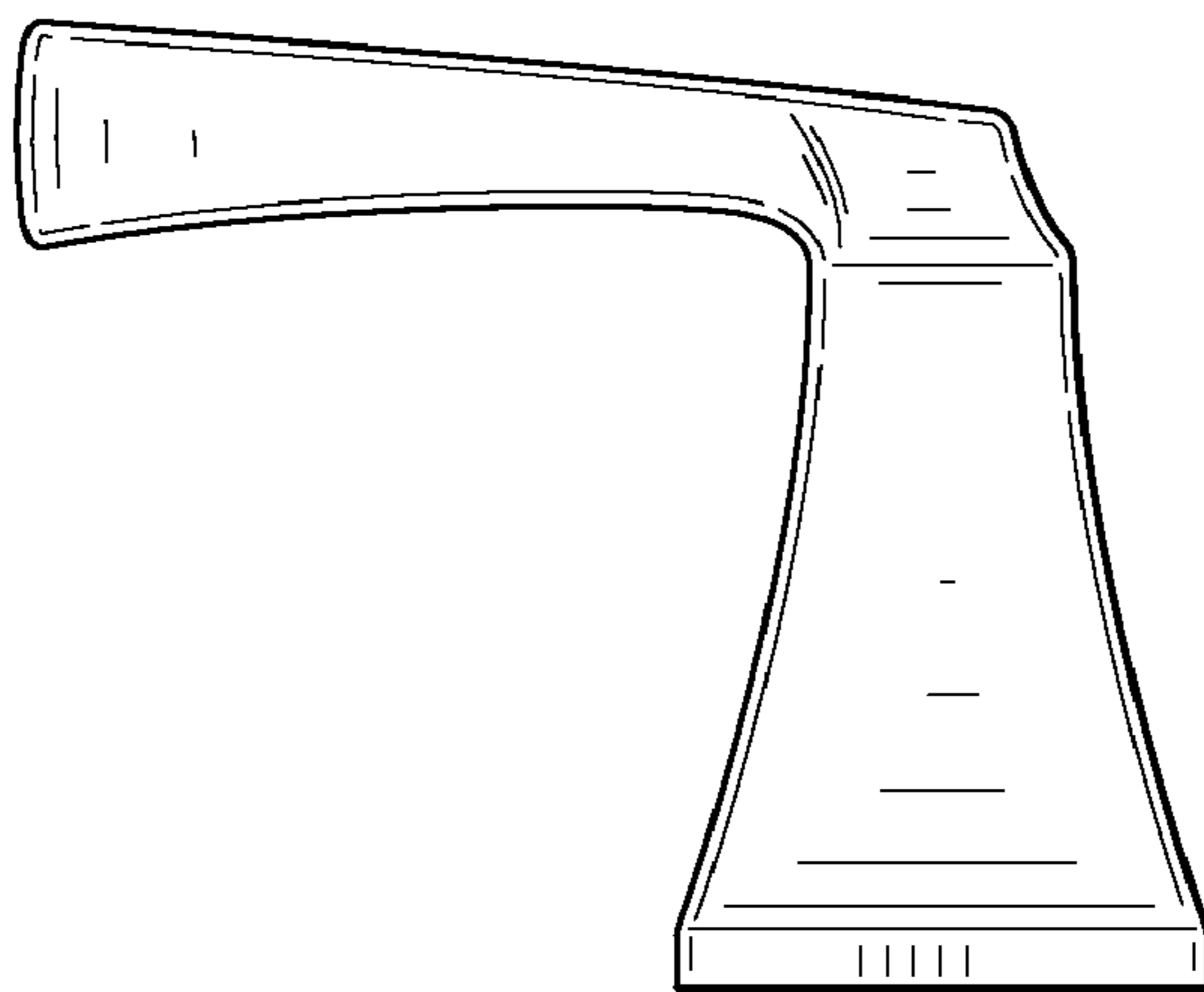
D522,624 S \* 6/2006 Koury et al. .... D23/252

**1 Claim, 2 Drawing Sheets**

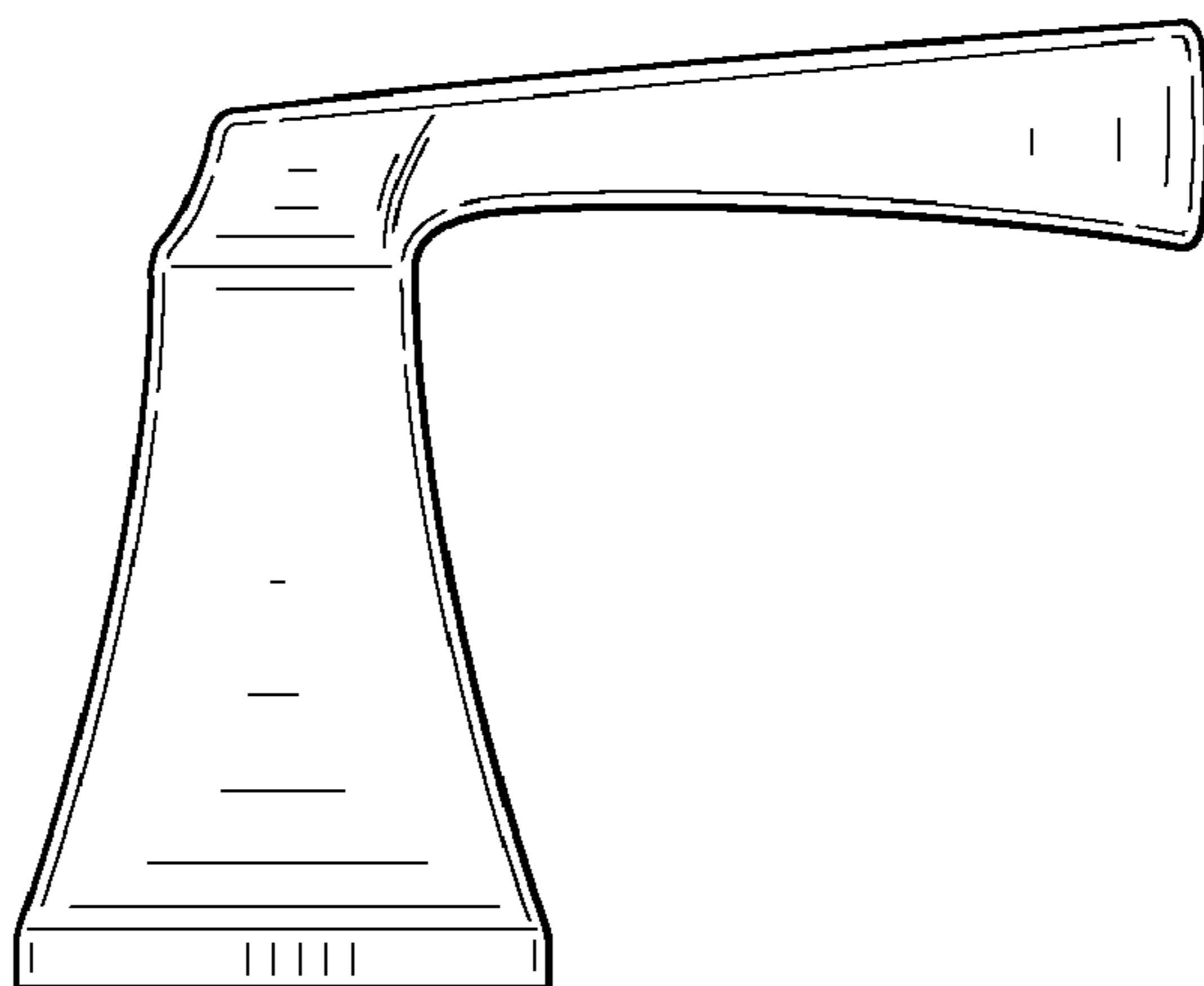




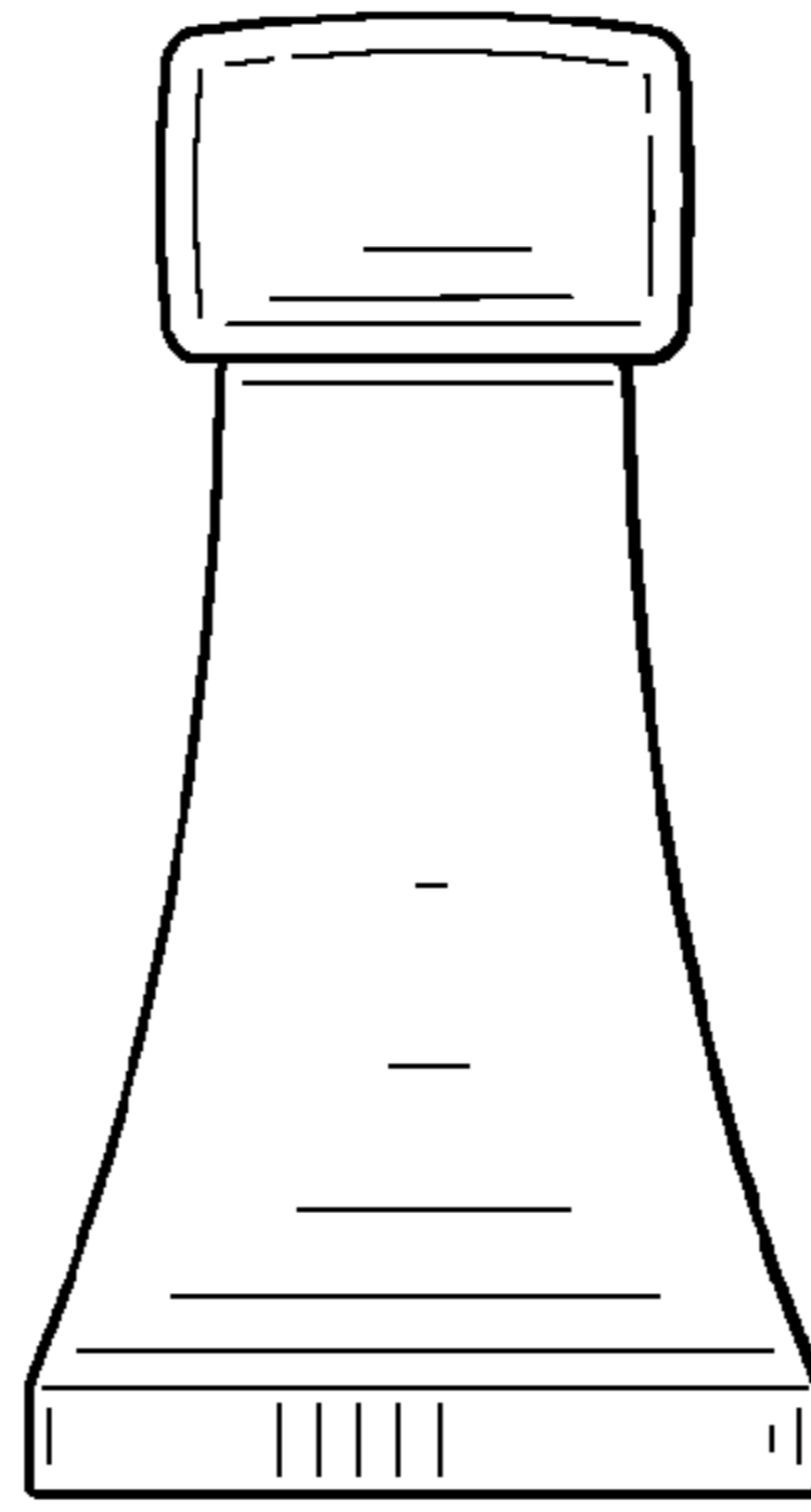
**FIG. 1**



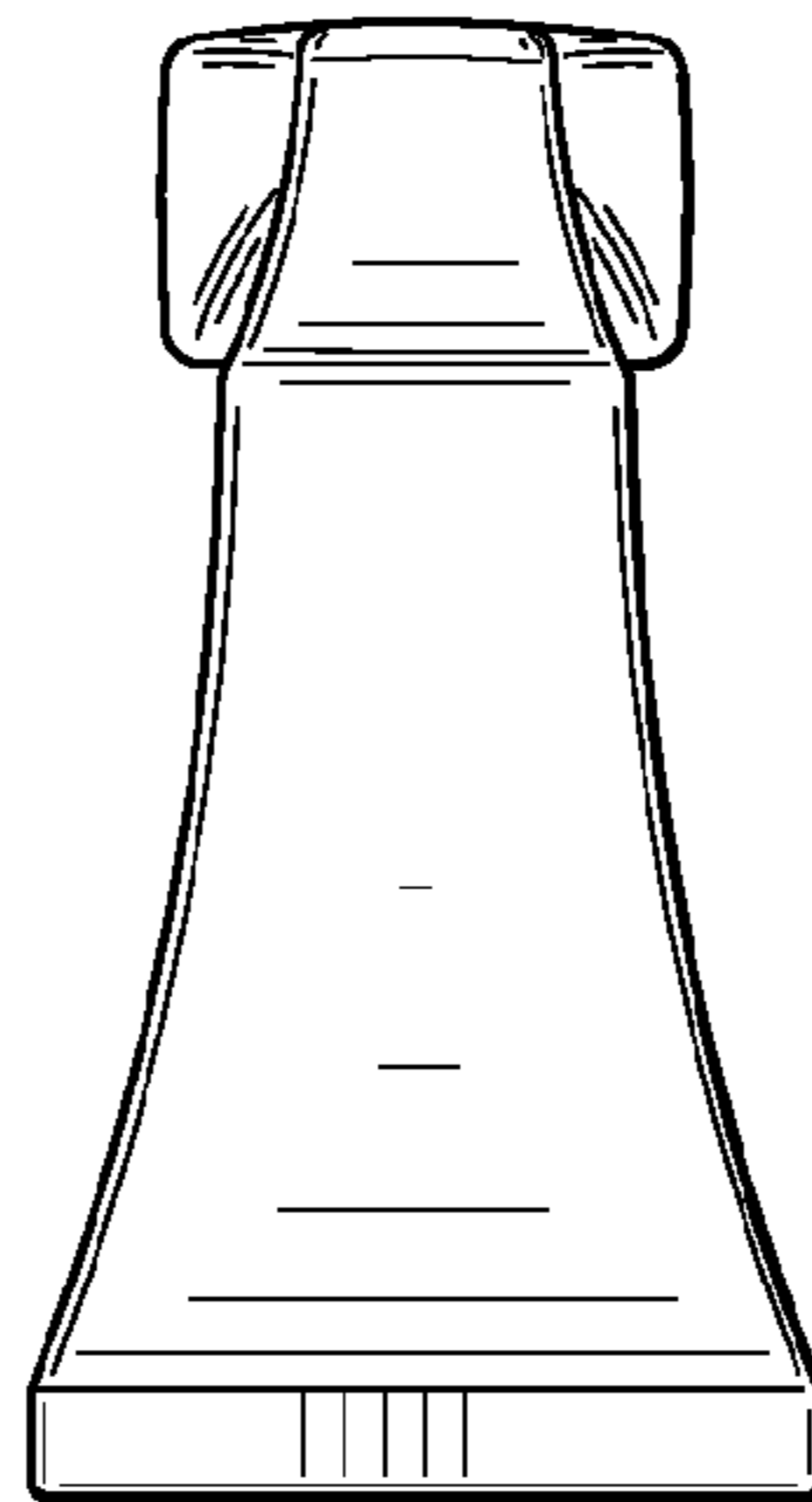
**FIG. 2**



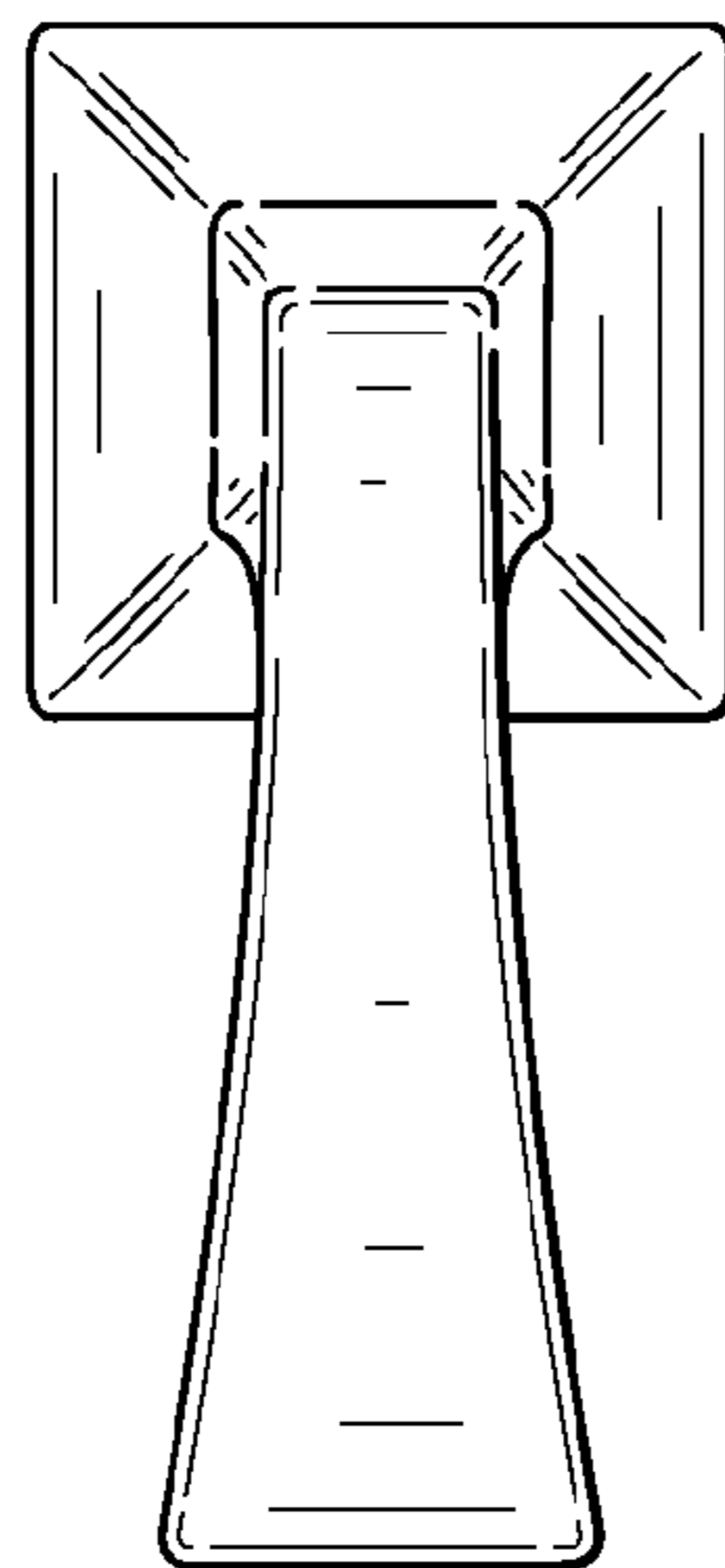
**FIG. 3**



**FIG. 4**



**FIG. 5**



**FIG. 6**