



US00D587779S

(12) **United States Design Patent**
Cink

(10) **Patent No.:** **US D587,779 S**
(45) **Date of Patent:** **** Mar. 3, 2009**

- (54) **TERMITE STATION CONTAINER**
- (75) Inventor: **James H. Cink**, Ballwin, MO (US)
- (73) Assignee: **Whitmire Micro-Gen Research Laboratories, Inc.**, St. Louis, MO (US)
- (**) Term: **14 Years**
- (21) Appl. No.: **29/281,687**
- (22) Filed: **Jun. 28, 2007**
- (51) **LOC (9) Cl.** **22-06**
- (52) **U.S. Cl.** **D22/122**
- (58) **Field of Classification Search** D22/119–124;
43/1, 58, 60, 107, 121, 131, 132.1, 124, 112–113;
248/156, 530, 545; D3/294, 272–273, 905
See application file for complete search history.

- 6,397,517 B1 6/2002 Leyerle et al.
- 6,416,752 B1 7/2002 Richardson et al.
- 6,463,693 B1 10/2002 Weisner
- 6,467,216 B2 10/2002 McManus et al.
- 6,474,016 B2 11/2002 Snell et al.
- D467,296 S * 12/2002 Chan D22/122
- 6,497,070 B1 12/2002 Snell et al.
- 6,502,348 B2 1/2003 Bernard
- 6,532,696 B2 3/2003 Clark, III et al.
- 6,581,325 B2 6/2003 Gordon
- 6,584,728 B2 7/2003 Aesch, Jr. et al.
- 6,606,816 B2 8/2003 Oi et al.
- 6,606,817 B2 8/2003 Oi et al.
- 6,615,535 B2 9/2003 Snell et al.
- 6,618,983 B1 9/2003 Spragins
- 6,637,150 B1 10/2003 Oi et al.
- 6,681,518 B2 1/2004 Aesch, Jr. et al.
- 6,716,421 B2 4/2004 Brode, III et al.
- 6,796,082 B1 9/2004 Duston et al.
- 6,857,223 B2 2/2005 Su
- 6,914,529 B2 7/2005 Barber et al.
- 6,916,482 B2 7/2005 Ovington
- 6,928,771 B1 8/2005 Tesh

(56) **References Cited**
U.S. PATENT DOCUMENTS

- 4,208,828 A 6/1980 Hall et al.
- 4,214,400 A 7/1980 Patmore et al.
- 4,263,740 A 4/1981 Hemsarsh et al.
- 4,709,504 A 12/1987 Andric
- 4,794,724 A 1/1989 Peters
- 4,837,969 A 6/1989 Demarest
- 4,970,822 A 11/1990 Sherman
- 5,406,743 A 4/1995 McSherry et al.
- 5,771,628 A 6/1998 Nobbs
- 5,806,237 A 9/1998 Nelson
- 5,815,982 A 10/1998 Garretson
- 5,930,944 A 8/1999 Knuppel
- 5,937,571 A 8/1999 Megargle et al.
- 5,960,585 A 10/1999 Demarest et al.
- 6,021,901 A 2/2000 Wolfe
- 6,058,646 A 5/2000 Bishoff et al.
- 6,071,529 A 6/2000 Ballard et al.
- 6,079,151 A 6/2000 Bishoff et al.
- 6,088,950 A 7/2000 Jones
- 6,195,934 B1 3/2001 Megargle et al.
- 6,235,301 B1 5/2001 Ballard et al.
- 6,298,597 B1 10/2001 Koehler et al.
- 6,370,814 B1 4/2002 Curtis et al.
- 6,375,243 B1 4/2002 Bradley et al.

(Continued)

Primary Examiner—Catherine R Oliver
(74) *Attorney, Agent, or Firm*—Armstrong Teasdale, LLP

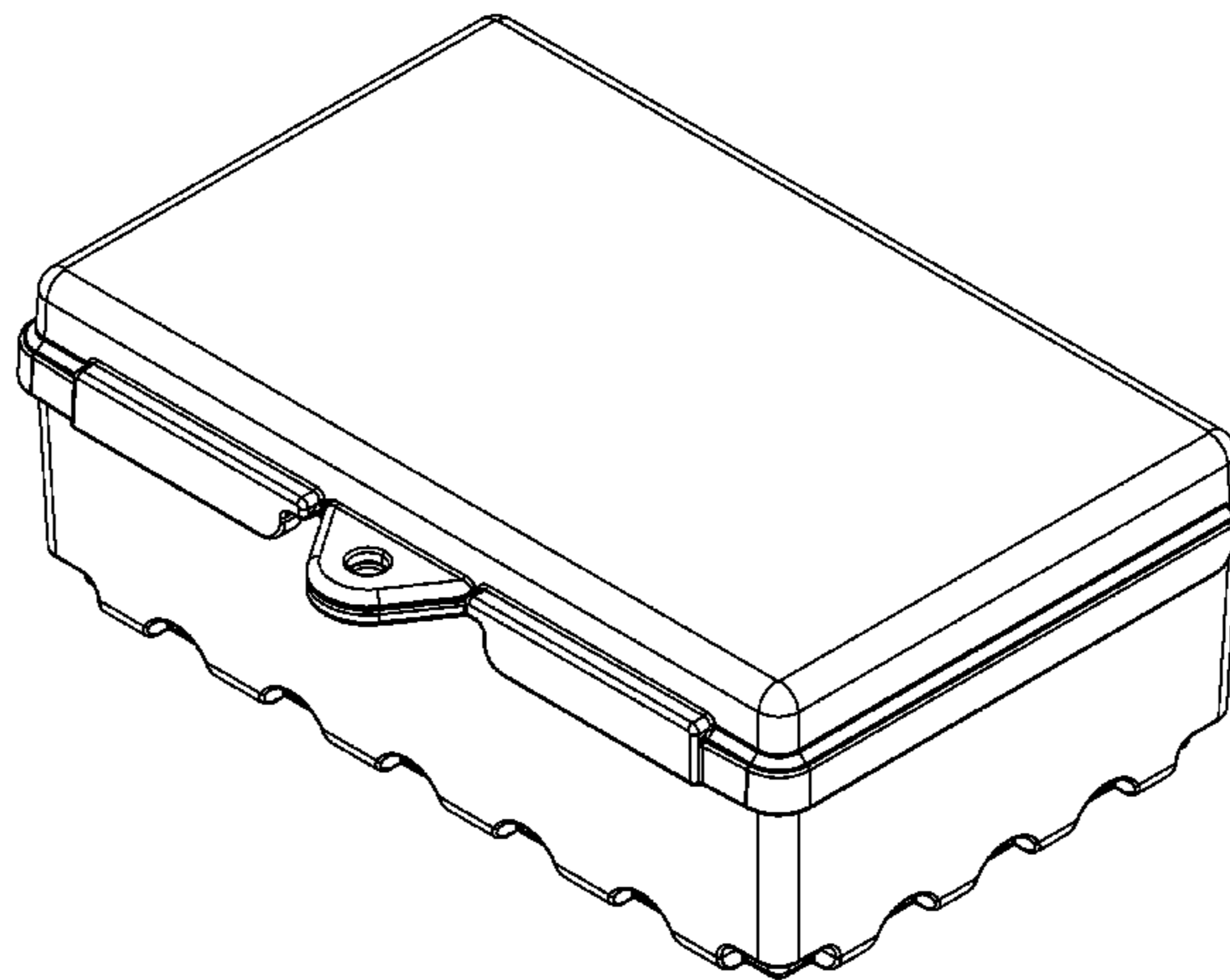
(57) **CLAIM**

The ornamental design for a termite station container, as shown and described.

DESCRIPTION

FIG. 1 is a front perspective of a termite station container according to my new design;
 FIG. 2 is a front elevational view thereof;
 FIG. 3 is a top plan view thereof;
 FIG. 4 is a right side elevational view thereof, the left side elevational view being a mirror image thereof;
 FIG. 5 is a bottom plan view thereof; and,
 FIG. 6 is a rear elevational view thereof.

1 Claim, 6 Drawing Sheets



US D587,779 S

Page 2

U.S. PATENT DOCUMENTS

6,978,572	B1	12/2005	Bernklau et al.	2002/0189153	A1	12/2002	Clark
7,086,196	B2	8/2006	Cink et al.	2006/0207164	A1	9/2006	Pearson
D539,867	S *	4/2007	Mediate	2006/0254123	A1	11/2006	Su
D548,971	S *	8/2007	Lin	2007/0256350	A1	11/2007	Cates
D549,119	S *	8/2007	Becker				

* cited by examiner

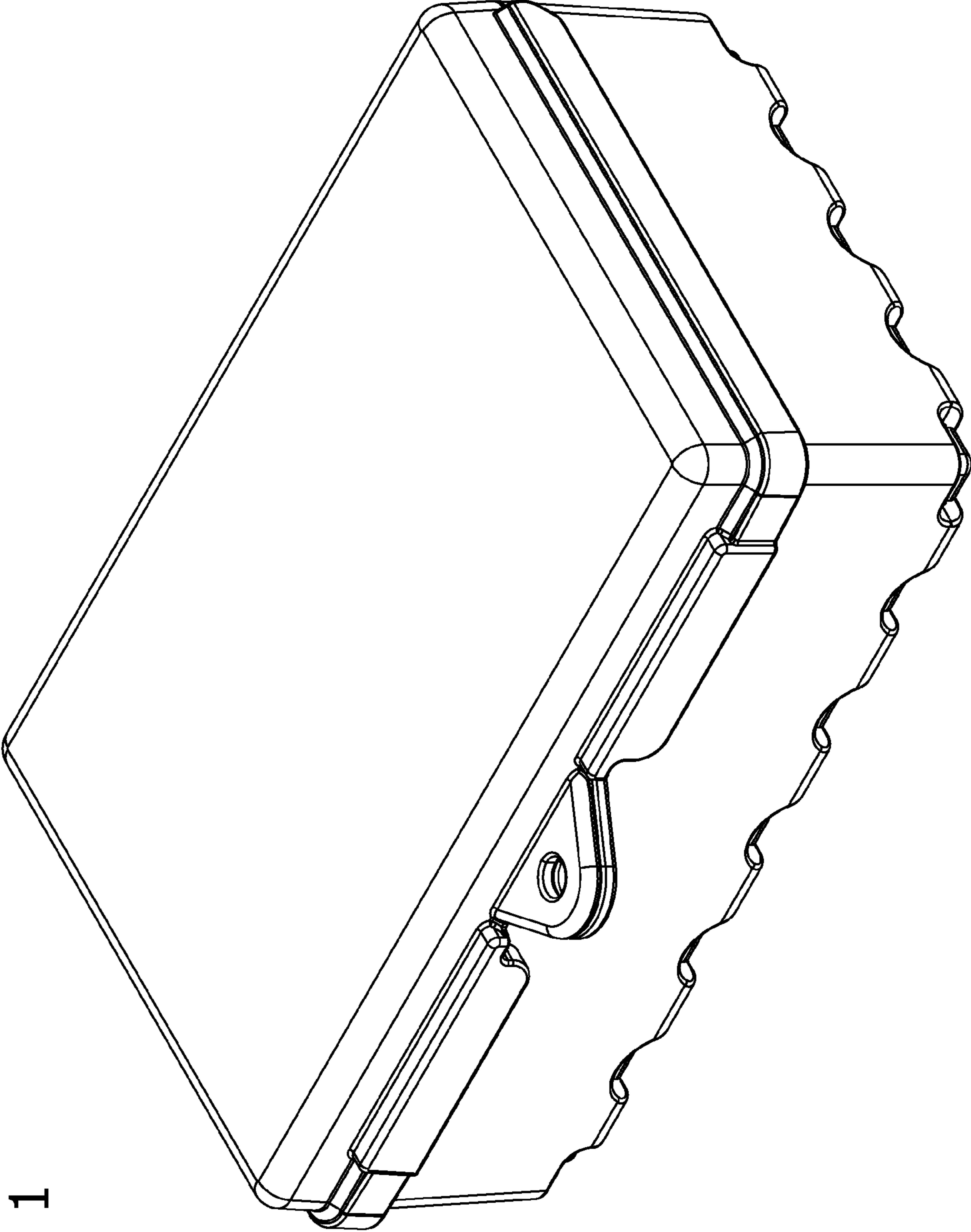


FIG. 1

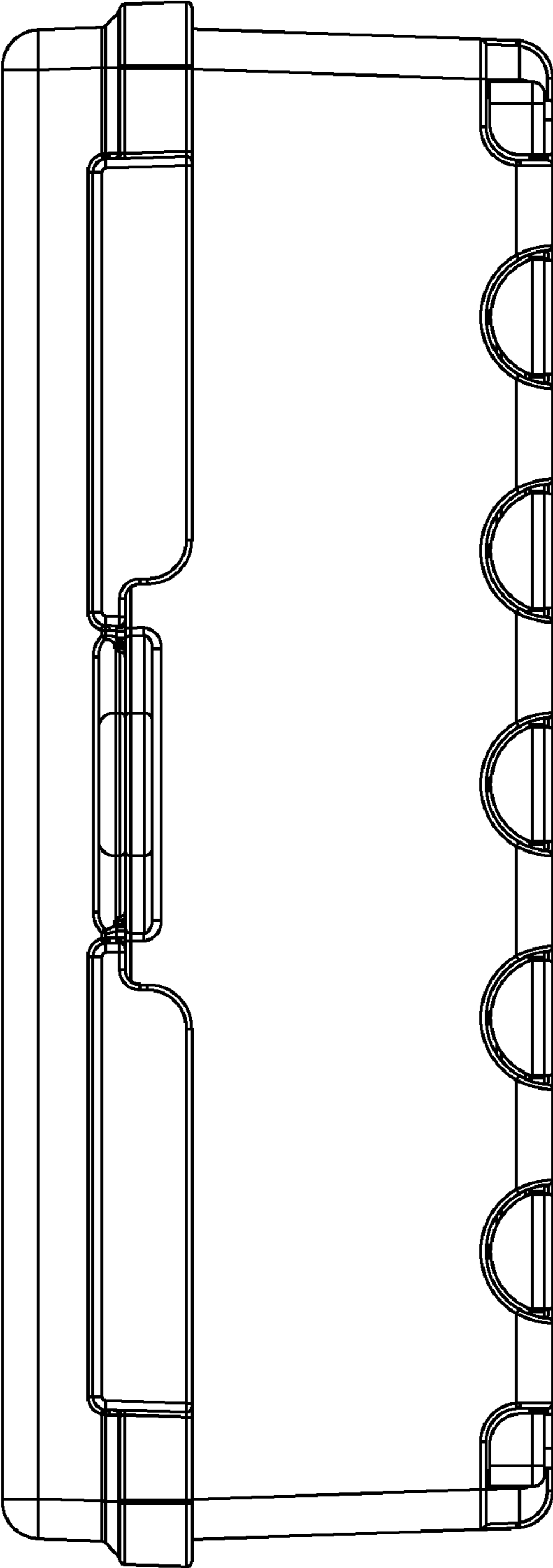


FIG. 2

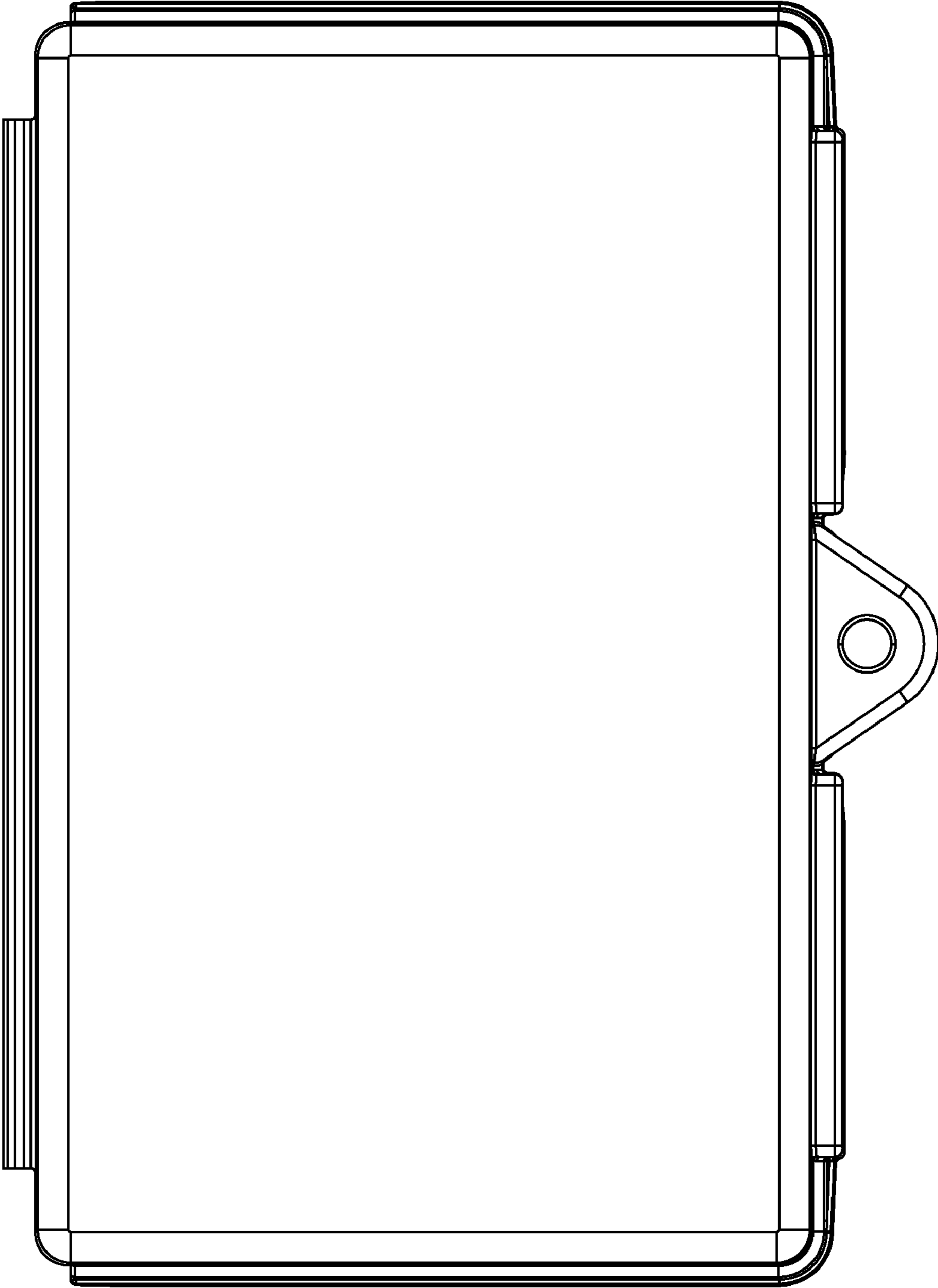


FIG. 3

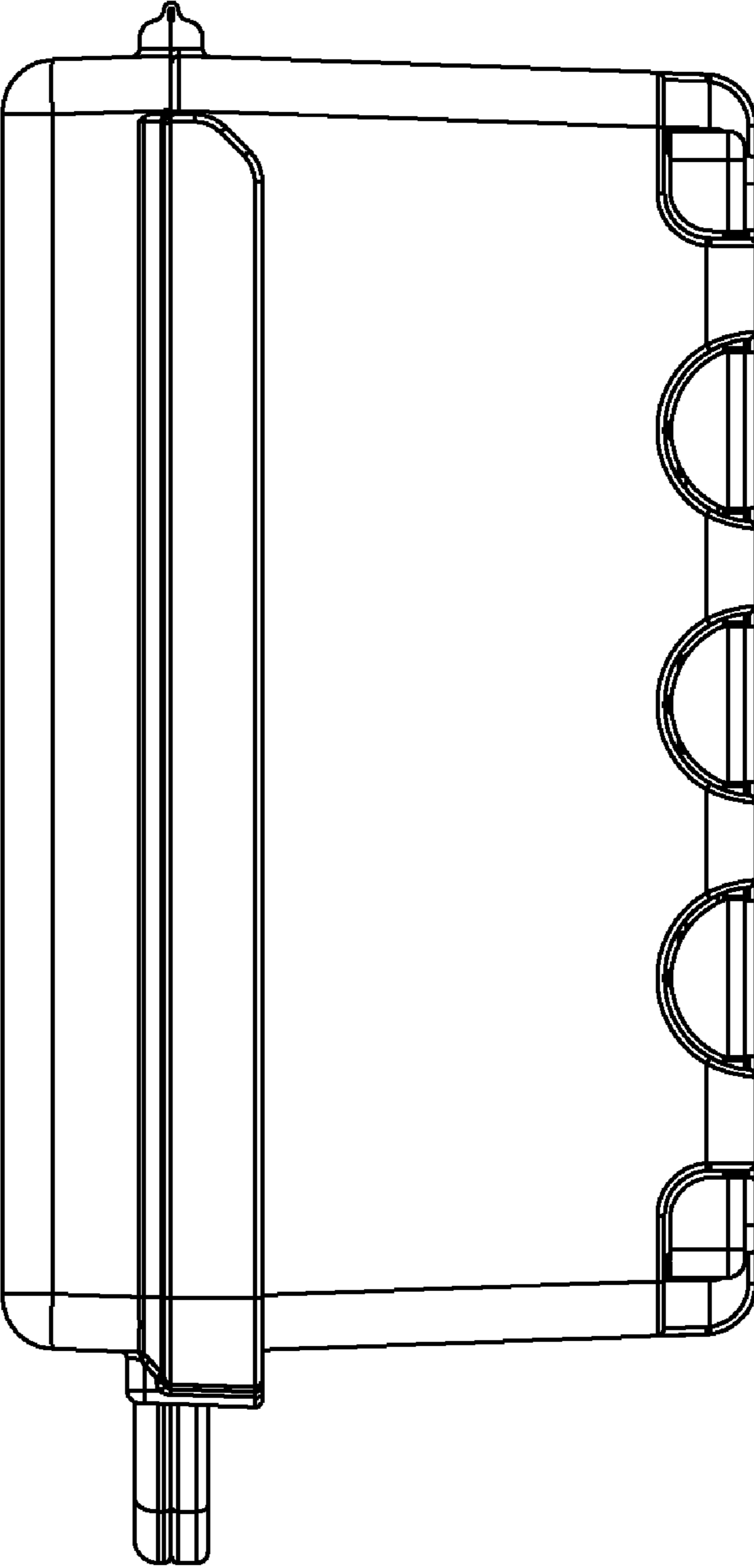


FIG. 4

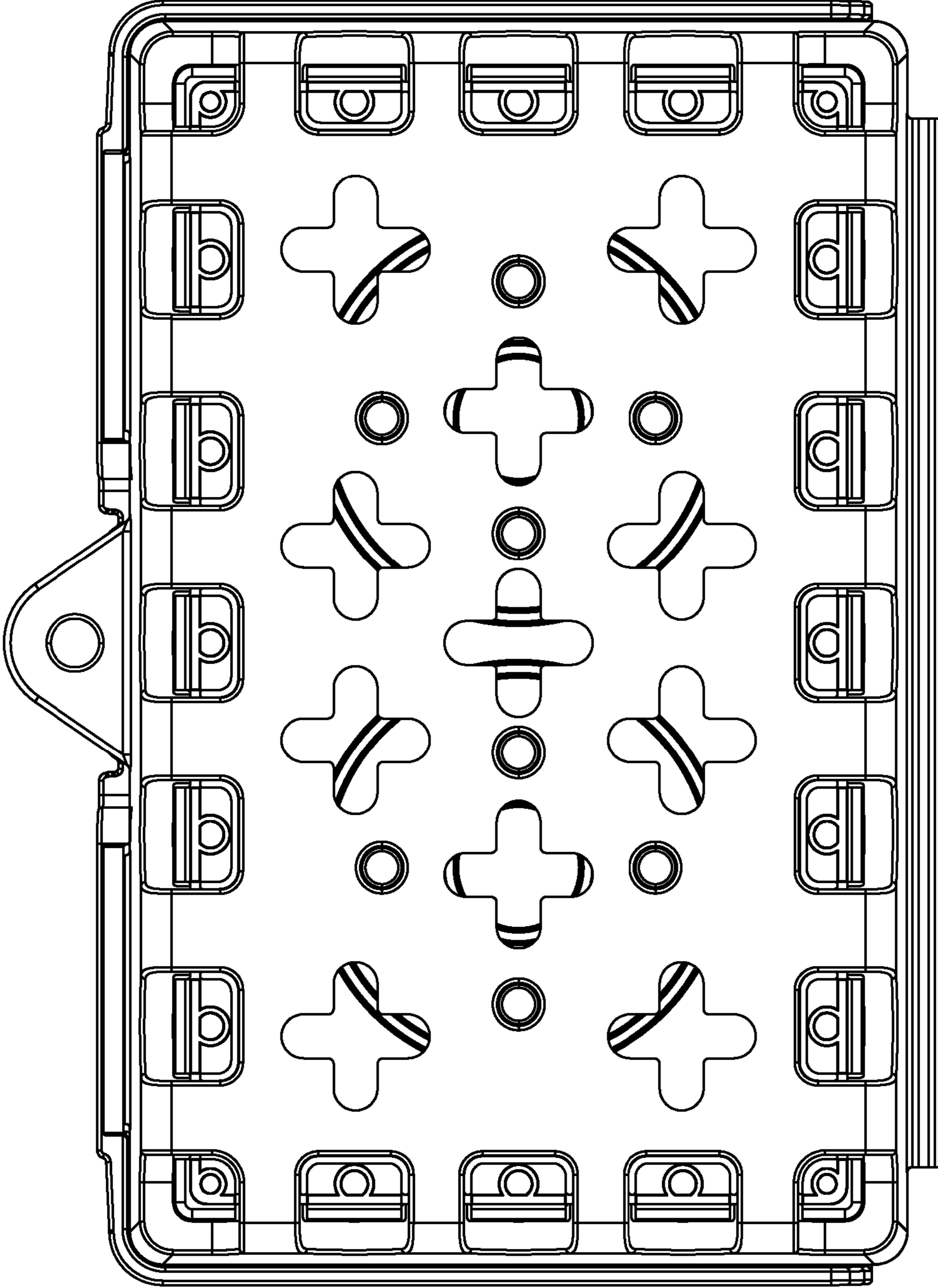


FIG. 5

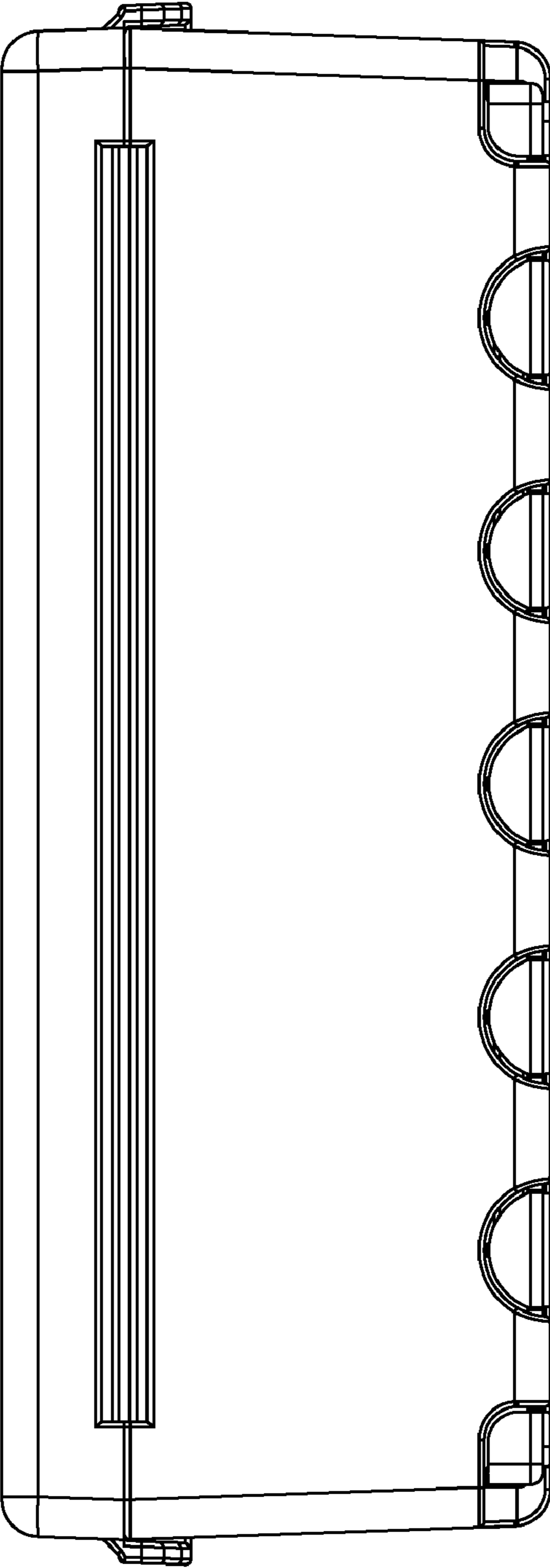


FIG. 6