



US00D587778S

(12) **United States Design Patent**
Zajk

(10) **Patent No.:** **US D587,778 S**
(45) **Date of Patent:** **** Mar. 3, 2009**

(54) **REVOLVER**

(75) Inventor: **Joseph J. Zajk**, Newport, NH (US)

(73) Assignee: **Sturm Ruger & Company, Inc.**,
Southport, CT (US)

(**) Term: **14 Years**

(21) Appl. No.: **29/322,309**

(22) Filed: **Aug. 1, 2008**

(51) **LOC (9) Cl.** **22-01**

(52) **U.S. Cl.** **D22/104; D22/100**

(58) **Field of Classification Search** D22/100,
D22/104, 108; 42/58, 59, 65, 89, 71.02,
42/54, 69.01; 89/155

See application file for complete search history.

(56) **References Cited**

U.S. PATENT DOCUMENTS

4,228,606	A	10/1980	Casull	
4,307,530	A	12/1981	Melcher et al.	
4,619,064	A *	10/1986	Stolz	42/54
D296,349	S *	6/1988	Ruger et al.	D22/104
4,766,687	A *	8/1988	Ruger	42/59
D299,674	S *	1/1989	Domian	D22/104
4,833,810	A	5/1989	Domian	
D301,911	S *	6/1989	Ruger et al.	D22/104
4,934,081	A	6/1990	Mooney	
D428,467	S *	7/2000	Petrosyan	D22/100

OTHER PUBLICATIONS

Sturm Ruger, Ruger 2007 Catalog, 2007, pp. 37-38, 40-47, USA.
Protector Model 651 .357 Mag. Revolver, Taurus Products, Internet,
May 11, 2007, 1 page, www.taurususa.com/products/product-de-
tails.

Sturm Ruger, Ruger GP100 Double-Action Revolvers, Booklet D5,
revised Nov. 2001, 6 pages, USA.

Sturm Ruger, Ruger Redhawk Double-Action Revolvers, Booklet
D8, revised Nov. 2001, 4 pages, USA.

Sturm Ruger, Ruger SP101 Double-Action Revolver, Booklet D12,
revised Nov. 2001, 2 pages, USA.

Dick Williams, Pocket Protectors, Shooting Illustrated's Guns and
Hunting, Internet, May 11, 2007, 6 pages, www.gunsandhunting.
com/pocketpistols.

Concealed Hammer Model 17MBCH, .17 HMR Revolver, 8 rds.,
Taurus Products, Internet, May 11, 2007, 1 page, www.taurususa.
com/products/products-details.

* cited by examiner

Primary Examiner—Cathron C Brooks

Assistant Examiner—Melanie Levy

(74) *Attorney, Agent, or Firm*—Duane Morris, LLP

(57) **CLAIM**

The ornamental design for a revolver, as shown and
described.

DESCRIPTION

FIG. 1 is a right side elevational view of a revolver showing
my new design;

FIG. 2 is a left side view thereof;

FIG. 3 is a rear view thereof;

FIG. 4 is a front view thereof;

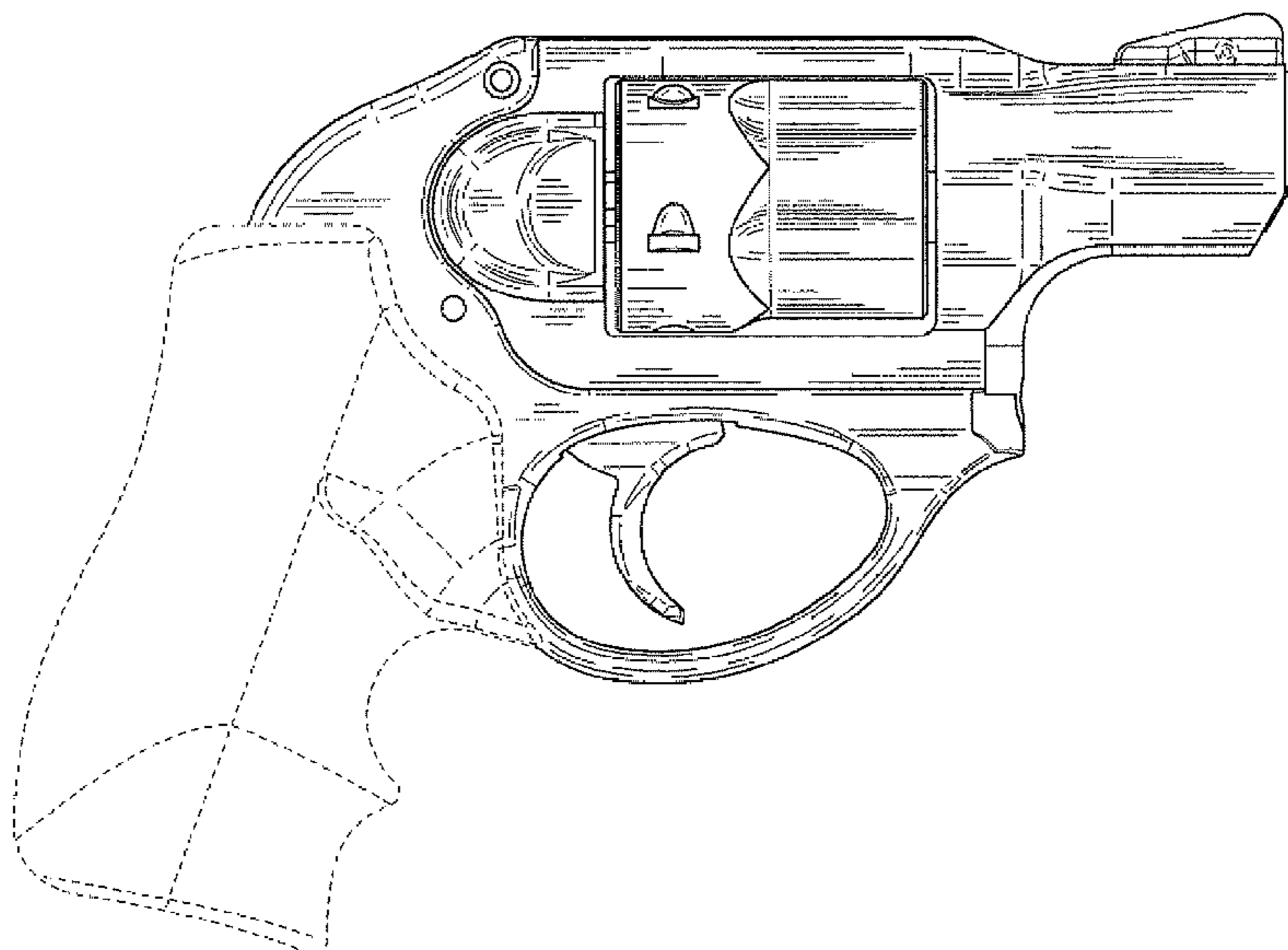
FIG. 5 is a bottom view thereof;

FIG. 6 is a top view thereof; and,

FIG. 7 is a right side perspective view thereof.

All broken lines shown in the drawings are for environmental
purposes only and form no part of the claimed design.

1 Claim, 5 Drawing Sheets



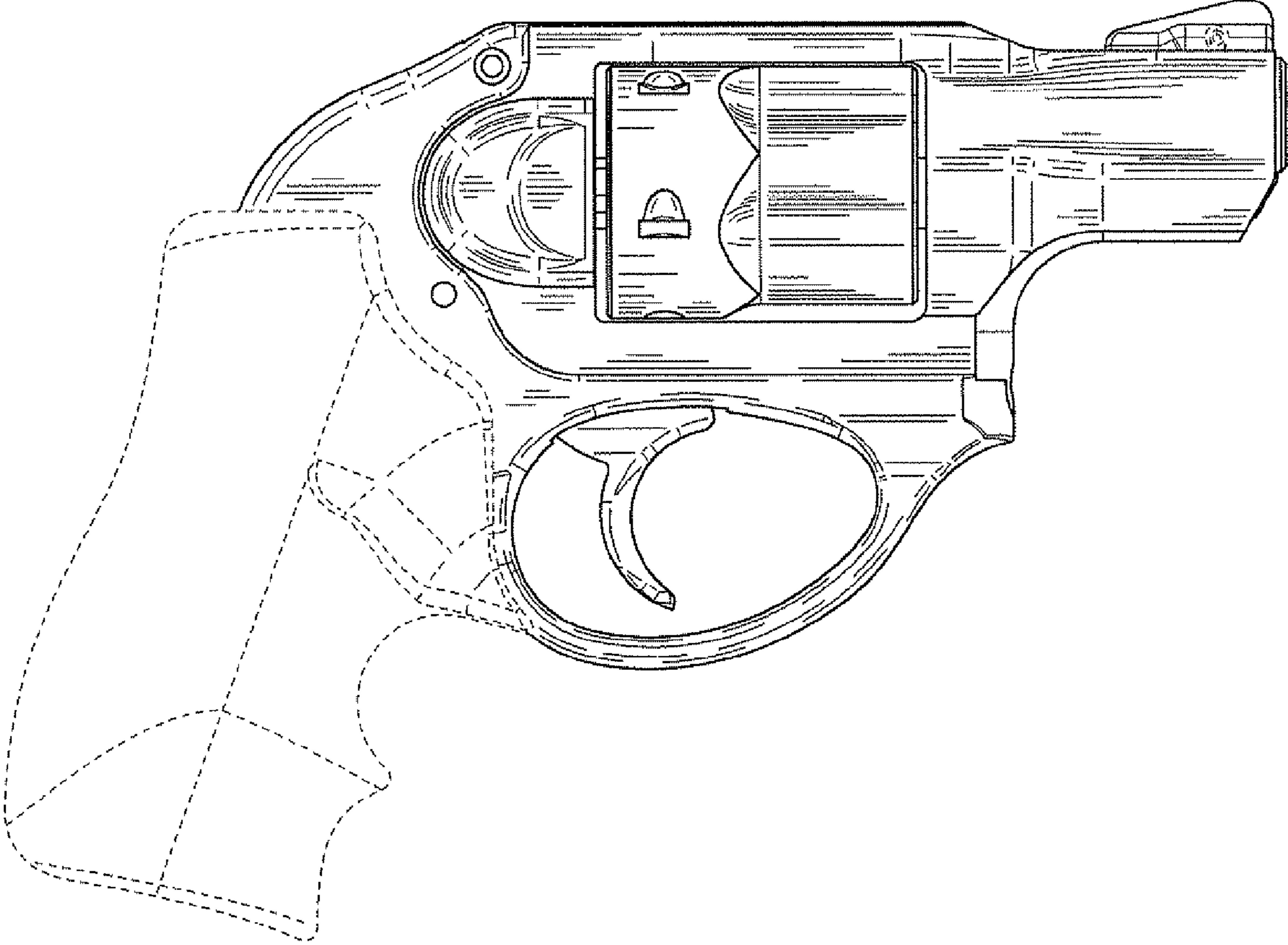


FIG. 1

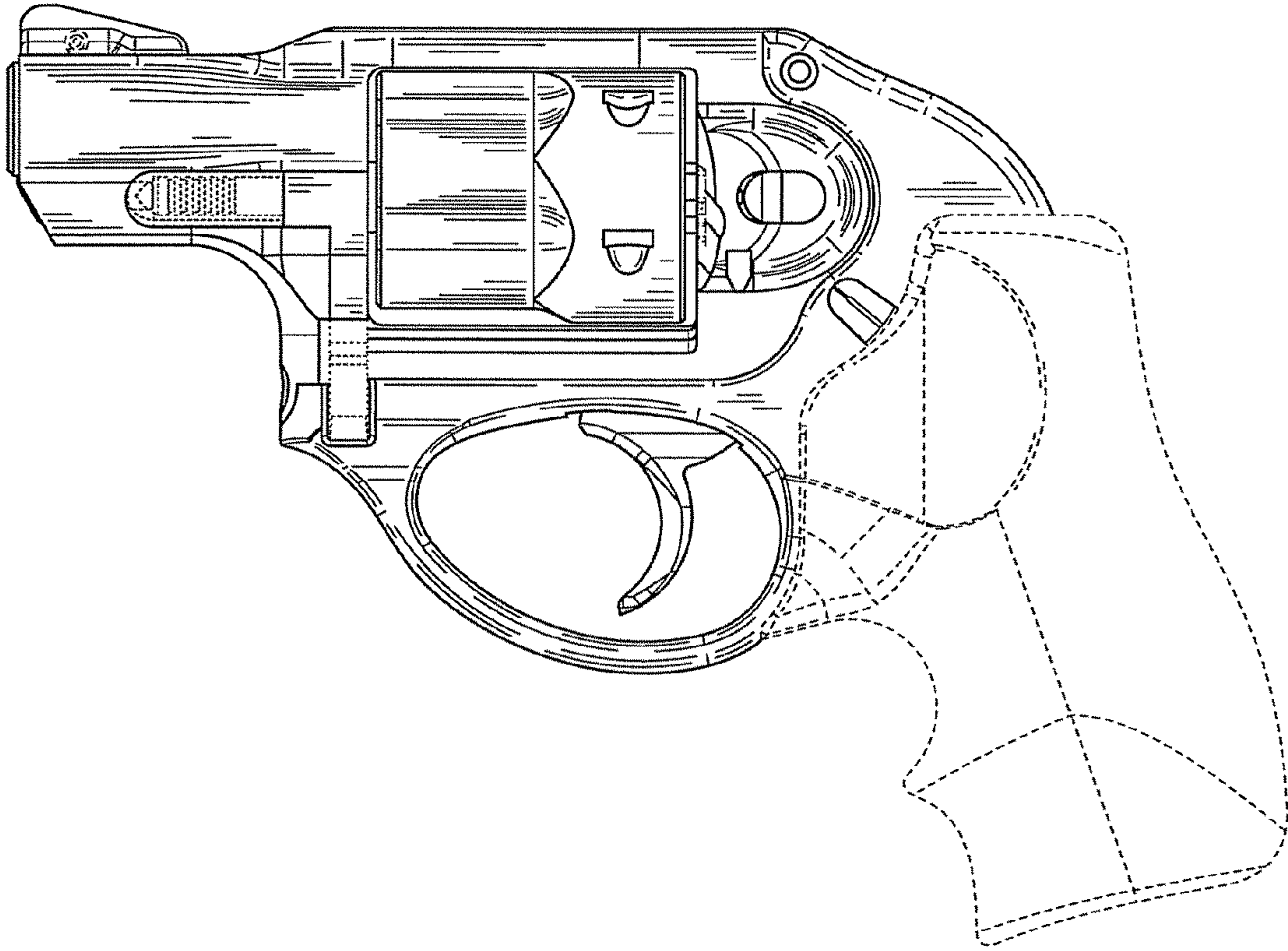


FIG. 2

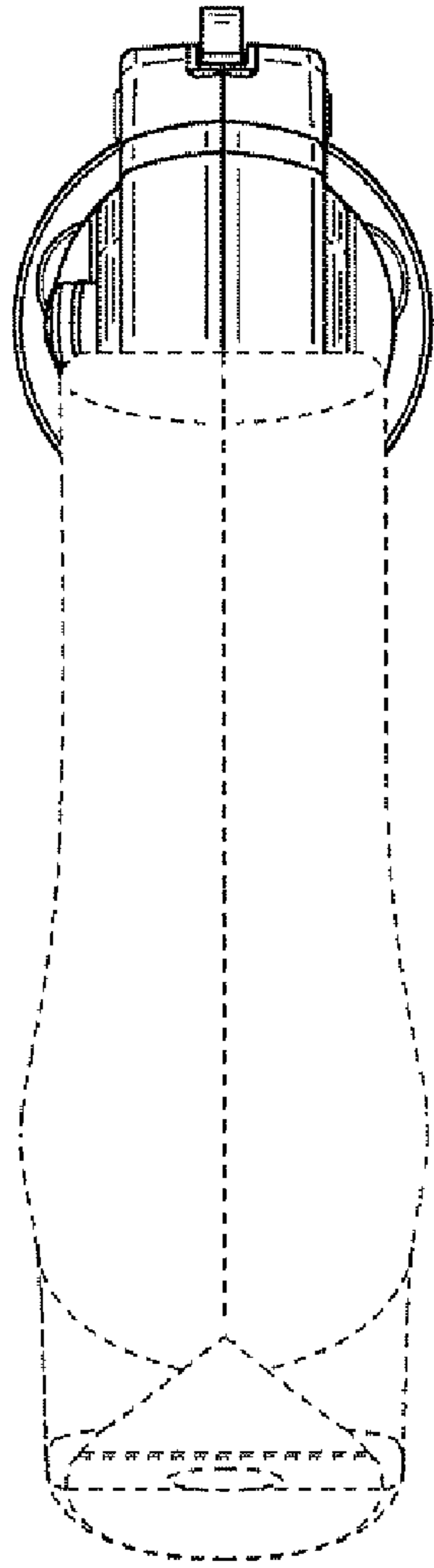


FIG. 3

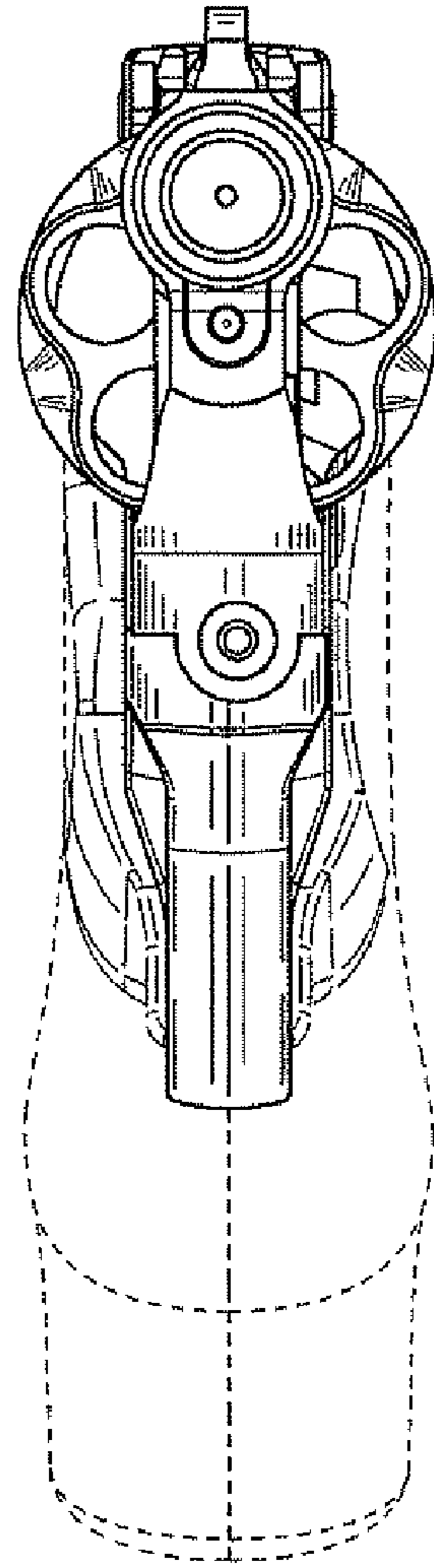


FIG. 4

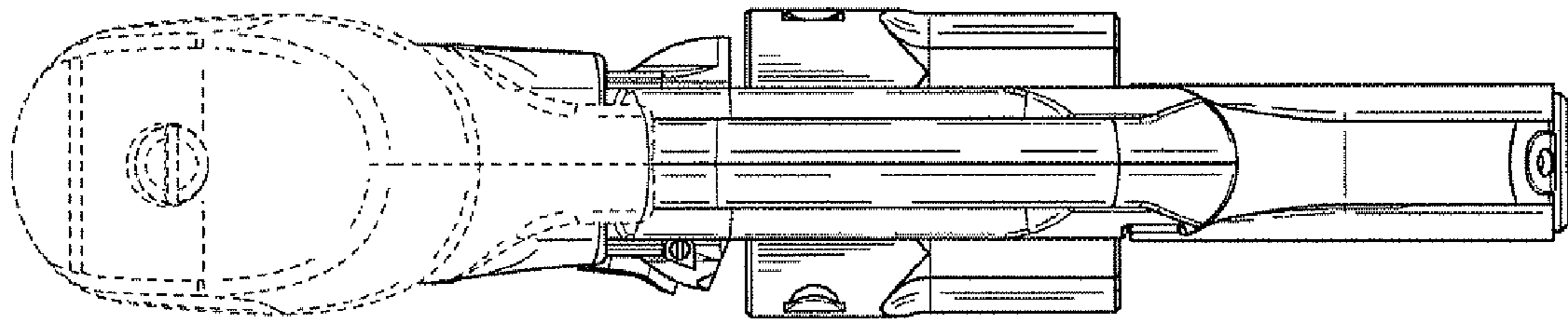


FIG. 5

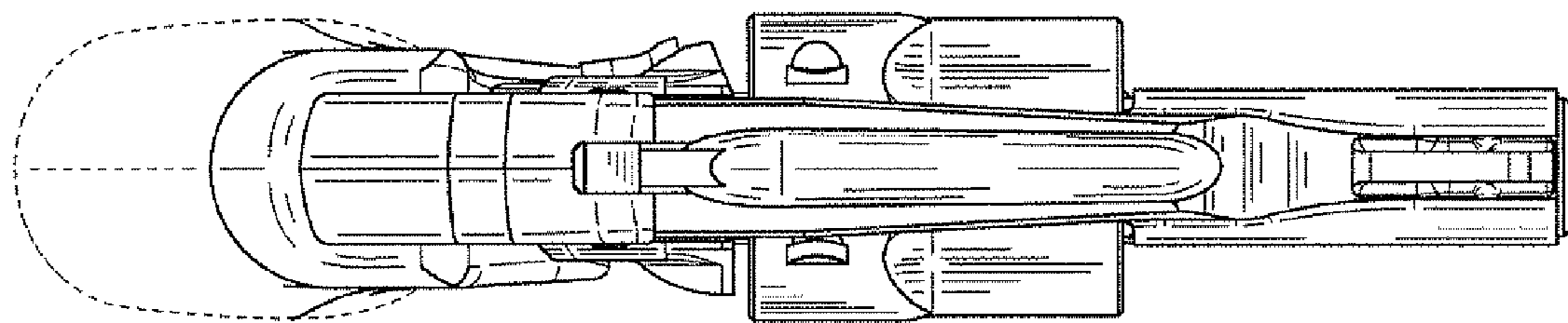


FIG. 6

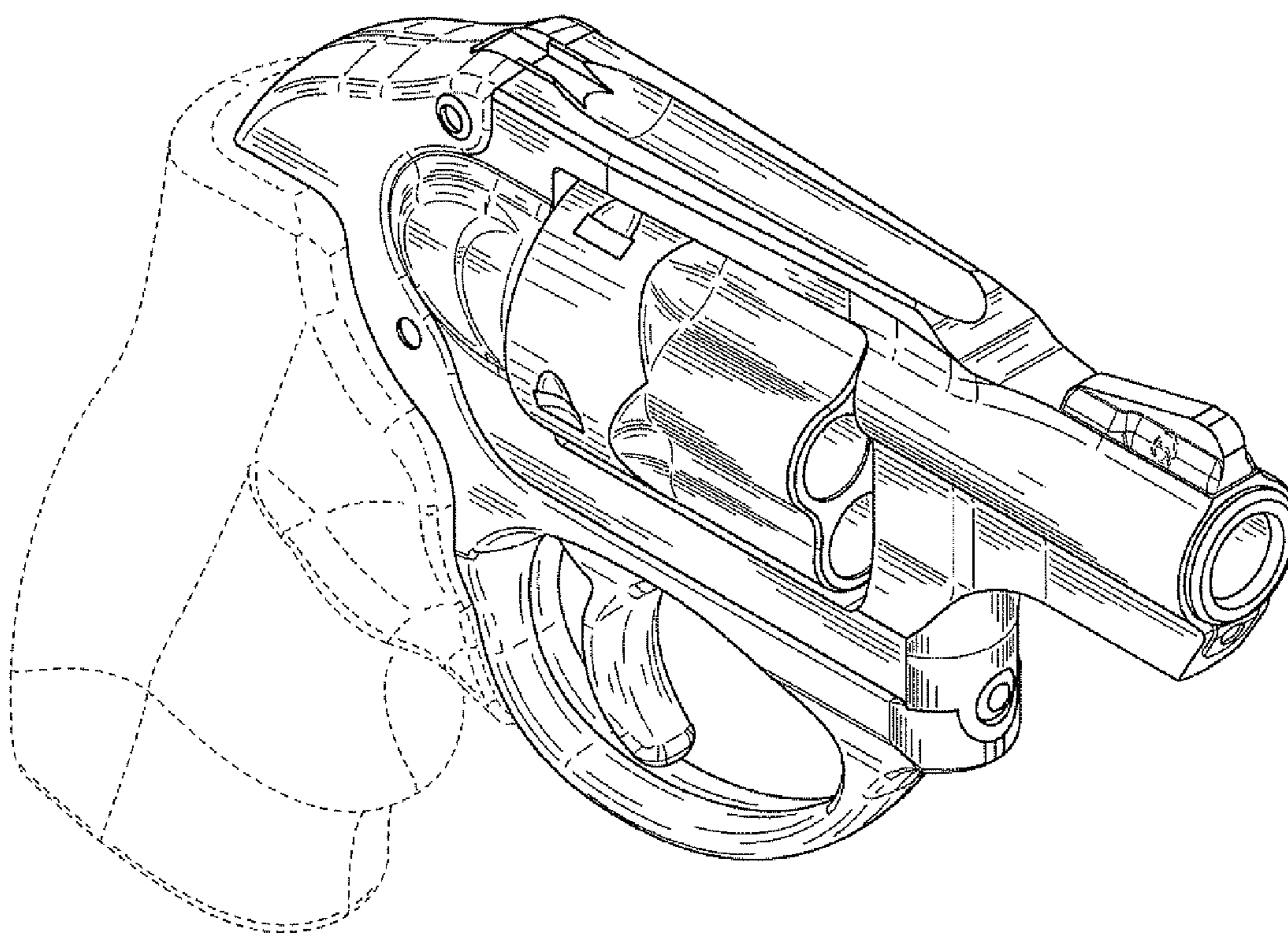


FIG. 7