

US00D587774S

(12) **United States Design Patent**
Giannatos

(10) **Patent No.:** **US D587,774 S**

(45) **Date of Patent:** **** Mar. 3, 2009**

(54) **ICE SKATEBOARD**

(76) Inventor: **Kalliopi Giannatos**, 147 Eighth Ave.,
New York, NY (US) 10011

(**) Term: **14 Years**

(21) Appl. No.: **29/308,553**

(22) Filed: **Jun. 20, 2008**

(51) **LOC (9) Cl.** **21-02**

(52) **U.S. Cl.** **D21/761; D21/765**

(58) **Field of Classification Search** D21/423,
D21/760, 761, 765, 771; D12/7; 280/7.12-7.14,
280/11.12-11.14, 11.18, 14.21, 14.25, 14.26,
280/27, 28, 608-610; 482/51, 66

See application file for complete search history.

(56) **References Cited**

U.S. PATENT DOCUMENTS

3,583,722	A *	6/1971	Jacobson	280/27
3,608,896	A *	9/1971	Brunet	482/66
4,114,913	A *	9/1978	Newell et al.	280/14.21
4,225,145	A *	9/1980	Carr	280/7.14
4,521,029	A *	6/1985	Mayes	280/7.14
4,896,893	A	1/1990	Shumays		
5,161,810	A *	11/1992	DeCesare	280/14.21
D364,127	S *	11/1995	Scherr et al.	D21/771
6,311,990	B1 *	11/2001	Landry	280/14.26

6,474,660	B1 *	11/2002	Warren	280/7.12
6,619,674	B2 *	9/2003	Baldwin	280/14.25
D501,905	S *	2/2005	Ellis	D21/765
D539,189	S *	3/2007	Huntimer et al.	D12/7
2004/0084878	A1 *	5/2004	Adamczewski	280/609
2007/0001426	A1 *	1/2007	Wade	280/608

* cited by examiner

Primary Examiner—Holly H Baynham

Assistant Examiner—Cynthia M Chin

(74) *Attorney, Agent, or Firm*—James V. Costigan; Hedman & Costigan, P.C.

(57) **CLAIM**

The ornamental design for a ice skateboard, as shown and described.

DESCRIPTION

FIG. 1 is a bottom perspective view of the invention with one runner;

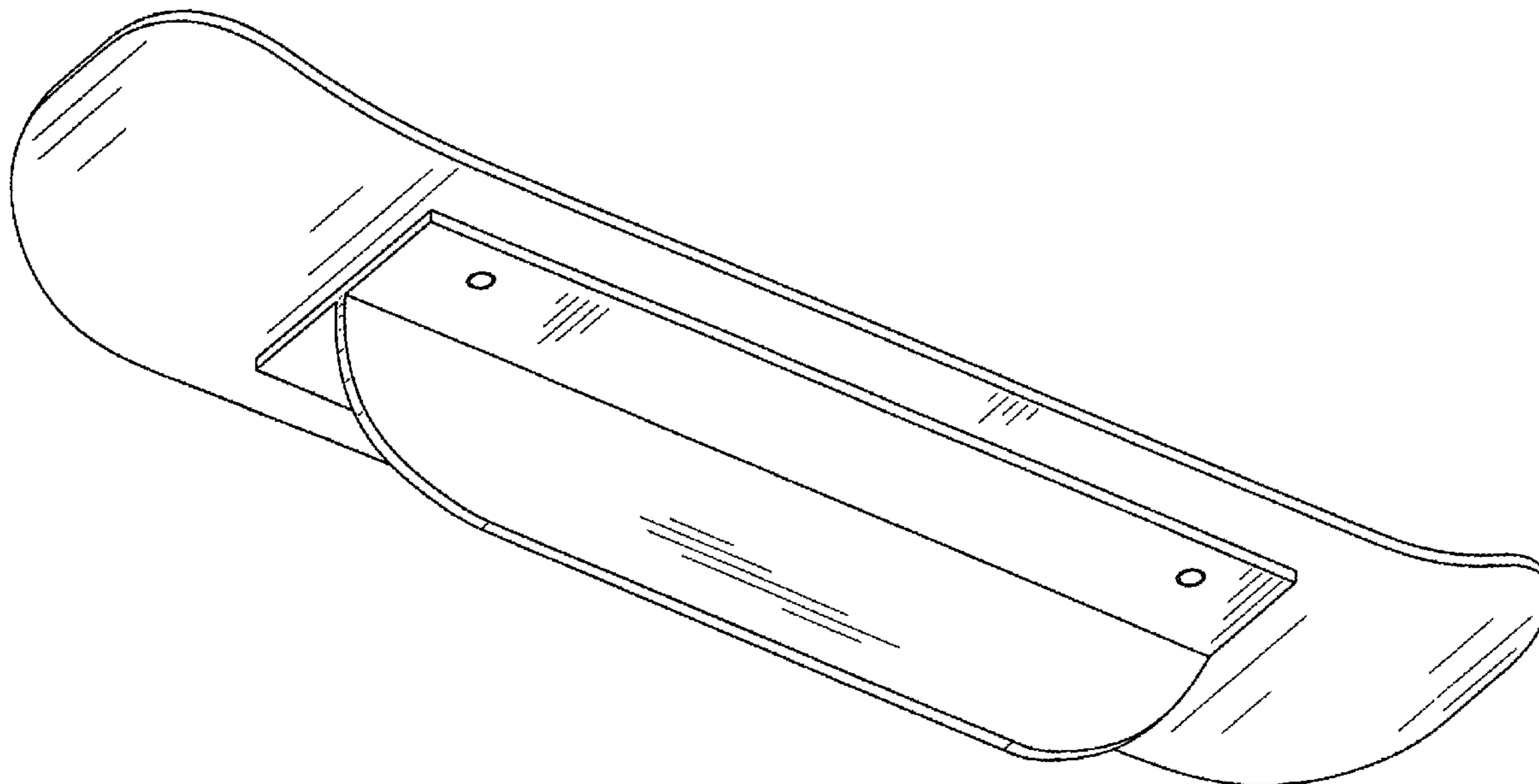
FIG. 2 is a right side view of the invention which is a mirror image of the left side view of the invention;

FIG. 3 is a front view of the invention which is a mirror image of the back view of the invention;

FIG. 4 is a top view of the invention; and,

FIG. 5 is a bottom view of the invention.

1 Claim, 3 Drawing Sheets



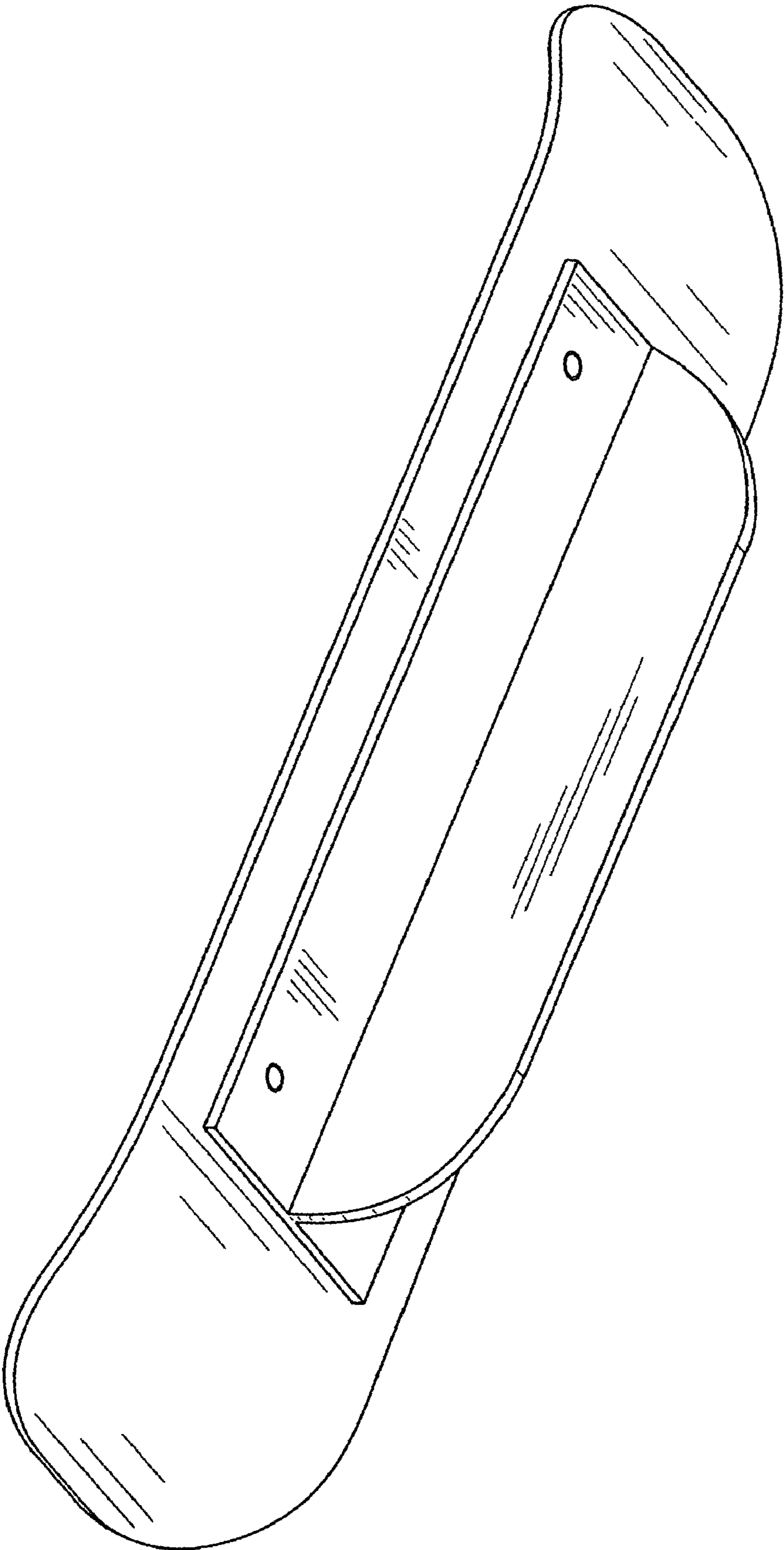


FIG. 1

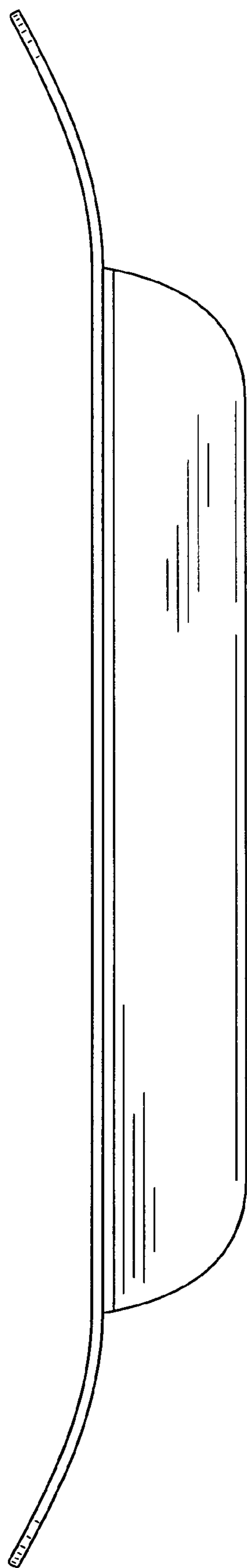


FIG. 2

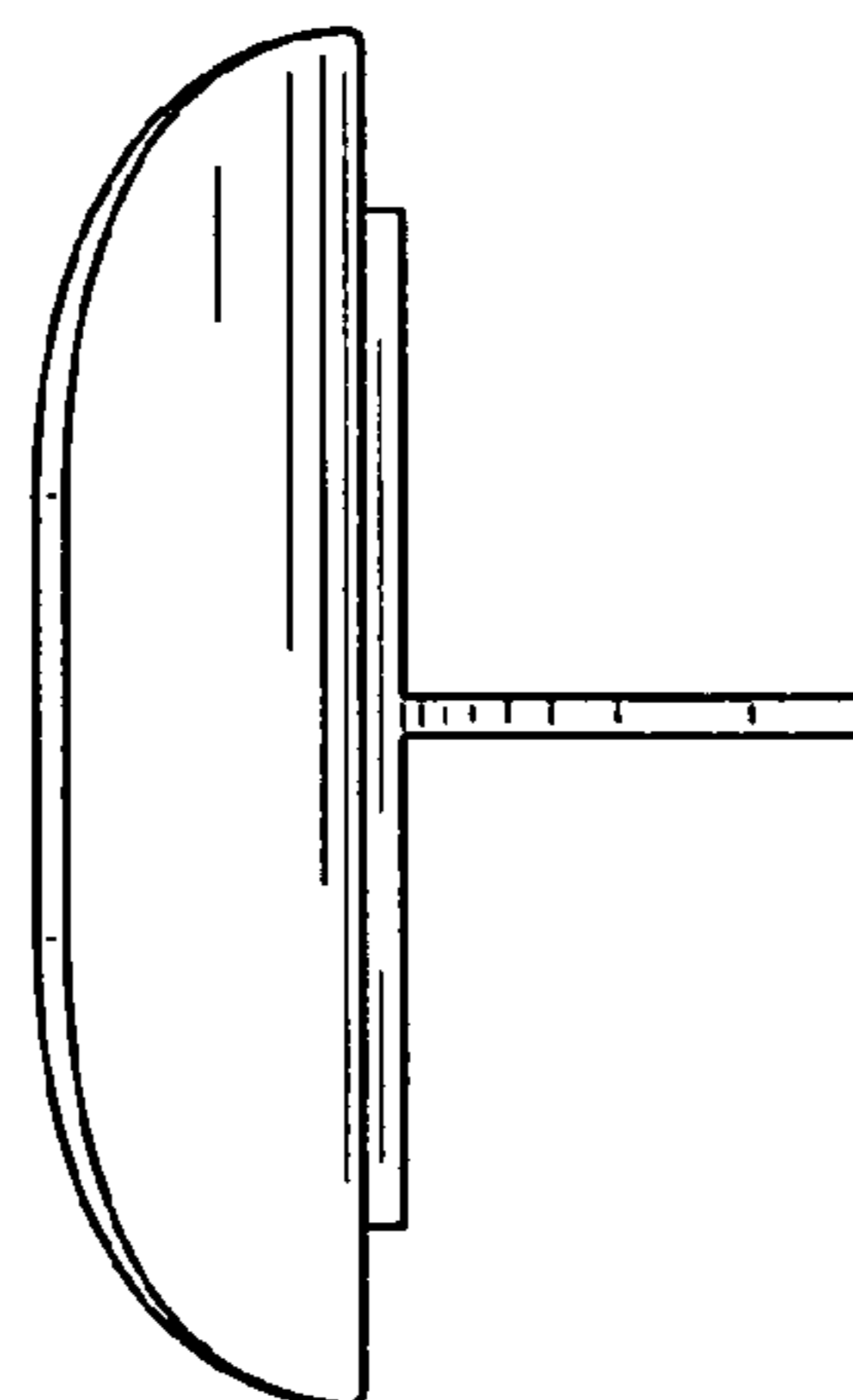


FIG. 3

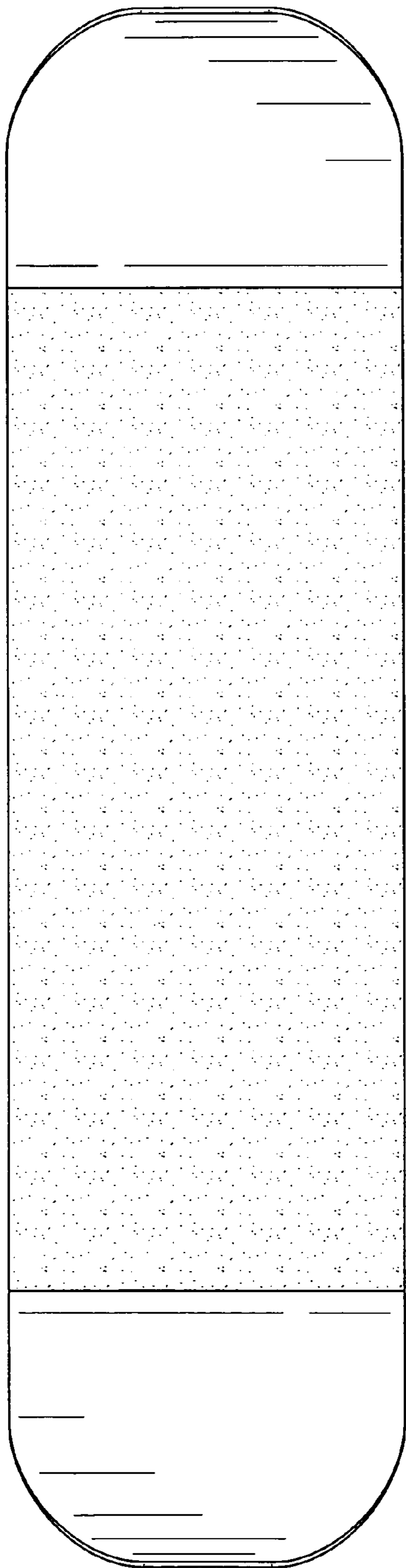


FIG. 4

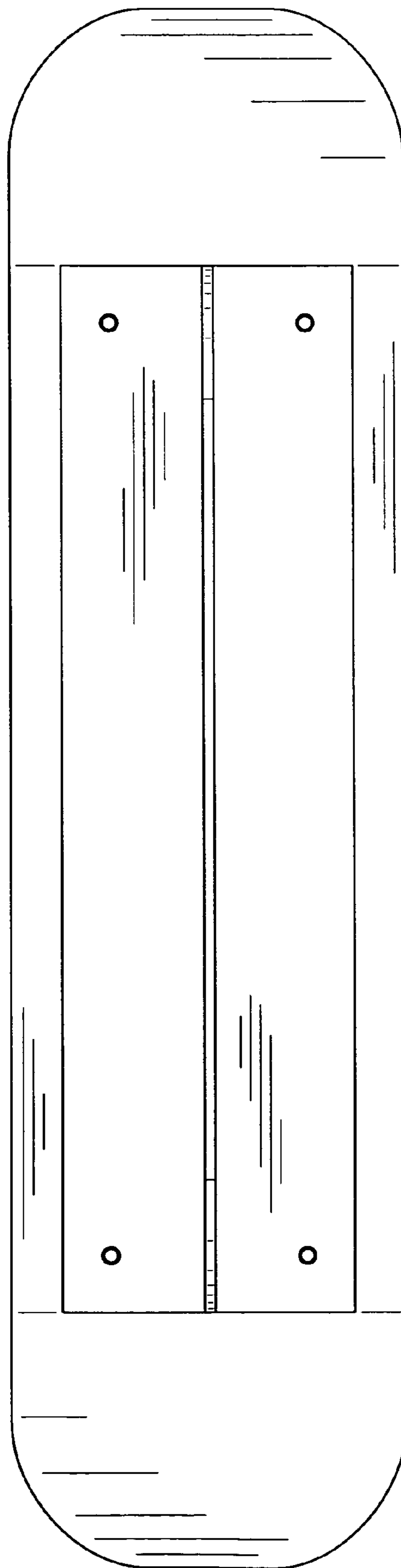


FIG. 5