



US00D587771S

(12) **United States Design Patent**
Kuan et al.

(10) **Patent No.:** **US D587,771 S**
(45) **Date of Patent:** **** Mar. 3, 2009**

(54) **GOLF CLUB HEAD**

(75) Inventors: **Jimmy H. Kuan**, West Covina, CA (US); **Mark H. Powell**, Huntington Beach, CA (US)

(73) Assignee: **Roger Cleveland Golf Co., Inc.**, Huntington Beach, CA (US)

(**) Term: **14 Years**

(21) Appl. No.: **29/300,998**

(22) Filed: **Jun. 10, 2008**

(51) **LOC (9) Cl.** **21-02**

(52) **U.S. Cl.** **D21/759**

(58) **Field of Classification Search** D21/736-746,
D21/753, 759; 473/324-331, 340-341
See application file for complete search history.

(56) **References Cited**

U.S. PATENT DOCUMENTS

D235,668 S * 7/1975 Swash D21/739
D344,998 S 3/1994 Greene
D352,983 S 11/1994 Williams, Jr.

(Continued)

OTHER PUBLICATIONS

Golf Equipment Universal Catalogue 1996, Criomax "Turbo Plus," Mizuno Pro "Trou Big-Ti DF," Mizuno Pro "Tour Big," and Recovery Jeanne "7W," pp. 330, 336 and 470.

Gold Equipment Universal Catalogue 1997, Gulliver "Lady," Shakespear "Super Rigal," and Dunlop "Hi-Brid," pp. 204, 274 and 356.

Golf Equipment Universal Catalogue 1999, TrueLine "CR," p. 186.

Golf Equipment Universal Catalogue 2005, Zebra "CSX" and Trou Edge "Bazooka Automatic," pp. 261 and 355.

Golf Equipment Universal Catalogue 2006, Odyssey "White Steel Tri-ball SRT," Odyssey "White steel 2-Ball SRT," and S.M.G. "Premium Selection," pp. 120 and 501.

Golf Equipment Universal Catalogue 2007, "Bettinardi XR 2.0), Pelz "Outlaw, Zomo "Z-0," Taylor Made "Rossa," and Zomo "Zero Face Insert," pp. 212, 318 and 527.

Golf Equipment Universal Catalogue 2008, Nike "IC 20-20" and Nike "Ignite 006," pp. 151.

Primary Examiner—Mitchell I Siegel

(74) *Attorney, Agent, or Firm*—Oliff & Berridge, PLC

(57) **CLAIM**

The ornamental design for a golf club head, as shown and described.

DESCRIPTION

FIG. 1 is a front elevational view of a golf club embodying the inventive design.

FIG. 2 is a top plan view thereof.

FIG. 3 is a bottom plan view thereof.

FIG. 4 is a toe-side elevational view thereof.

FIG. 5 is a heel-side elevational view thereof

FIG. 6 is a rear elevational view thereof.

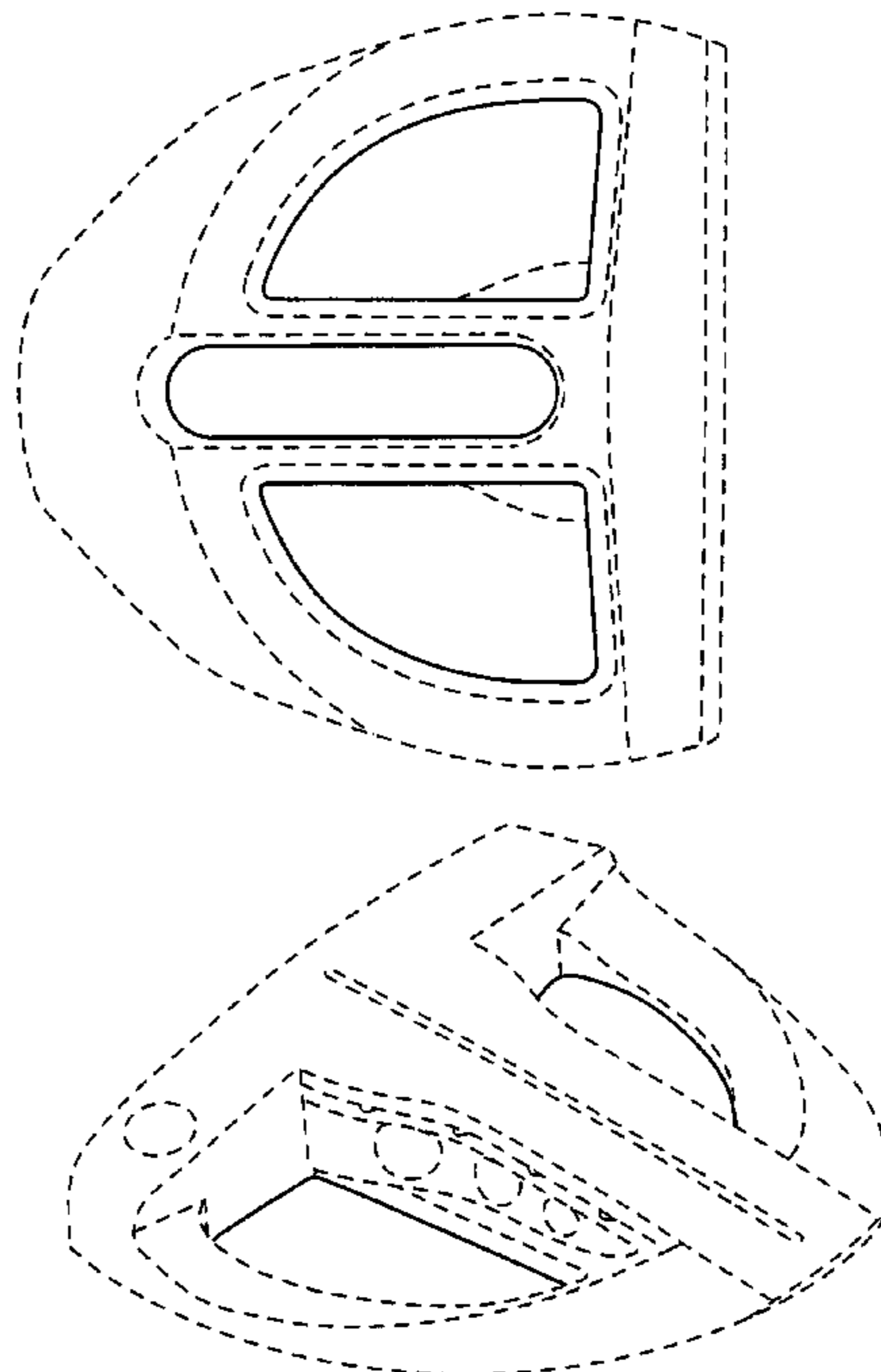
FIG. 7 is a top front perspective view thereof.

FIG. 8 is a top rear perspective view thereof; and,

FIG. 9 is a bottom front perspective view thereof.

The broken lines showing various portions of the golf club head are for illustrative purposes only and form no part of the claimed design.

1 Claim, 5 Drawing Sheets



US D587,771 S

Page 2

U.S. PATENT DOCUMENTS

D363,750 S	10/1995	Reed		D529,111 S	9/2006	Cleveland et al.	
D364,204 S	11/1995	Lin		D533,243 S	12/2006	Fife, Jr. et al.	
D410,057 S	5/1999	Ortiz		D538,364 S	3/2007	Frame et al.	
D433,073 S	10/2000	Sodano		D538,368 S	3/2007	Rollinson et al.	
D442,244 S	5/2001	Olsavsky et al.		D545,385 S	6/2007	Tang et al.	
D488,200 S *	4/2004	Olsavsky et al.	D21/743	D547,405 S	7/2007	Serrano et al.	
D501,233 S	1/2005	Thomas		D548,295 S	8/2007	Jertson et al.	
D502,233 S	2/2005	Grace		D549,293 S	8/2007	Rice et al.	
D507,615 S	7/2005	Imamoto		D552,197 S *	10/2007	Wells et al.	D21/743
6,926,615 B1	8/2005	Souza et al.		D564,606 S	3/2008	Oldknow et al.	
6,929,564 B2 *	8/2005	Olsavsky et al.	473/340	D567,889 S	4/2008	Tang et al.	
D514,182 S *	1/2006	Olsavsky et al.	D21/743	D571,886 S *	6/2008	Stites et al.	D21/759
D521,090 S	5/2006	Burrows		D572,331 S *	7/2008	Oldknow et al.	D21/759
D521,582 S *	5/2006	Souza et al.	D21/743	D575,366 S *	8/2008	Rollinson	D21/744

* cited by examiner

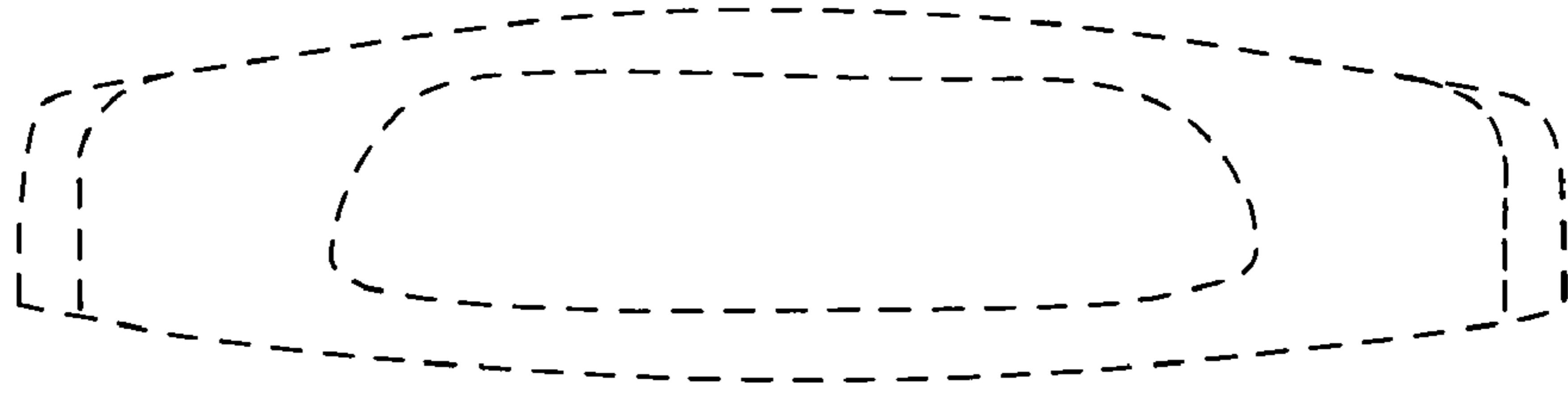


FIG. 1

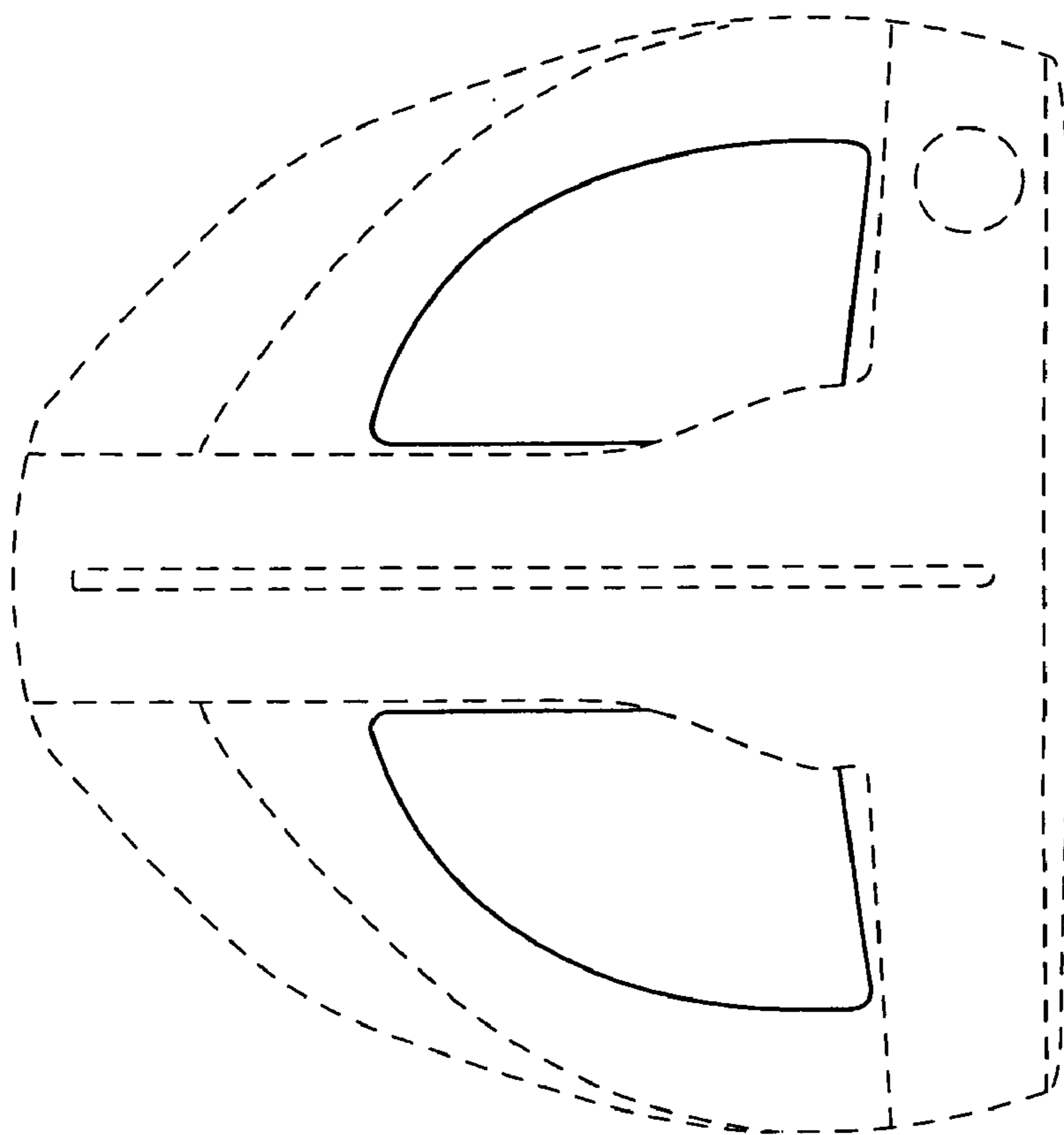


FIG. 2

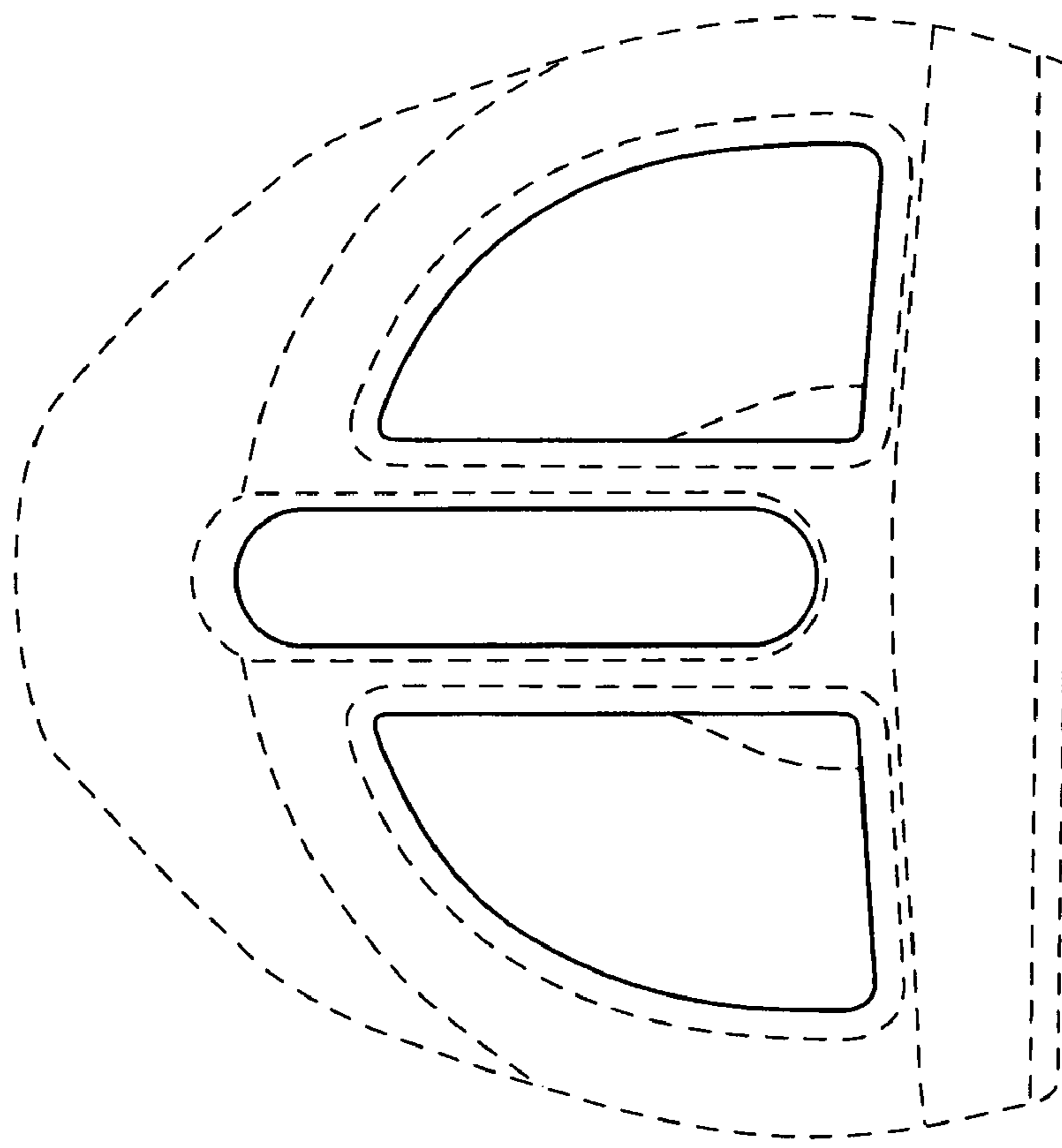


FIG. 3

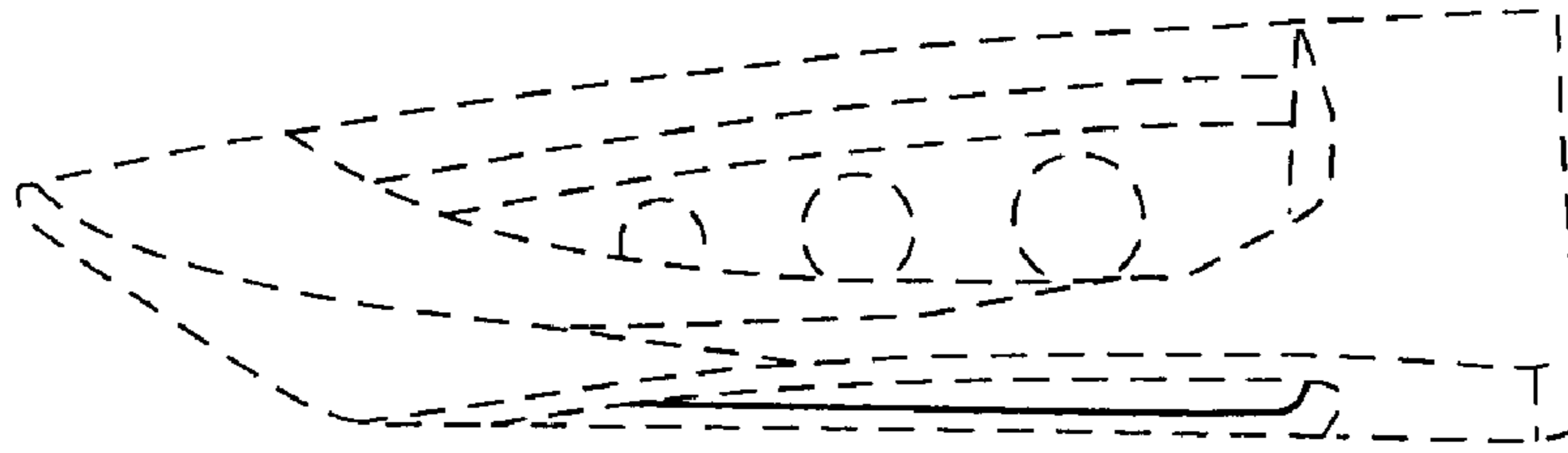


FIG. 4

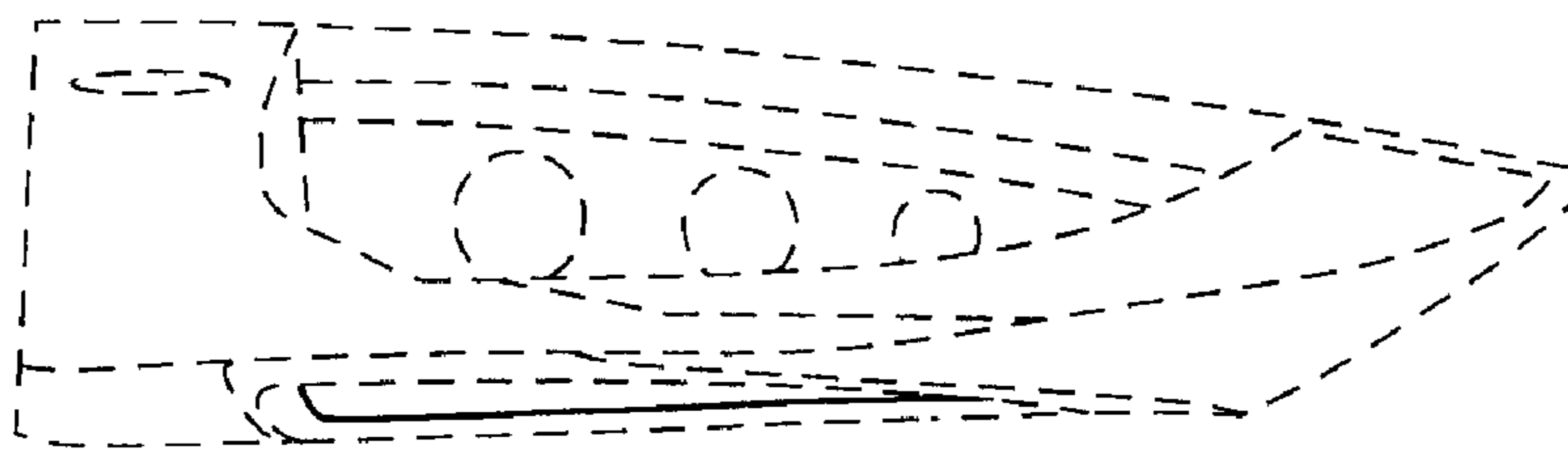


FIG. 5

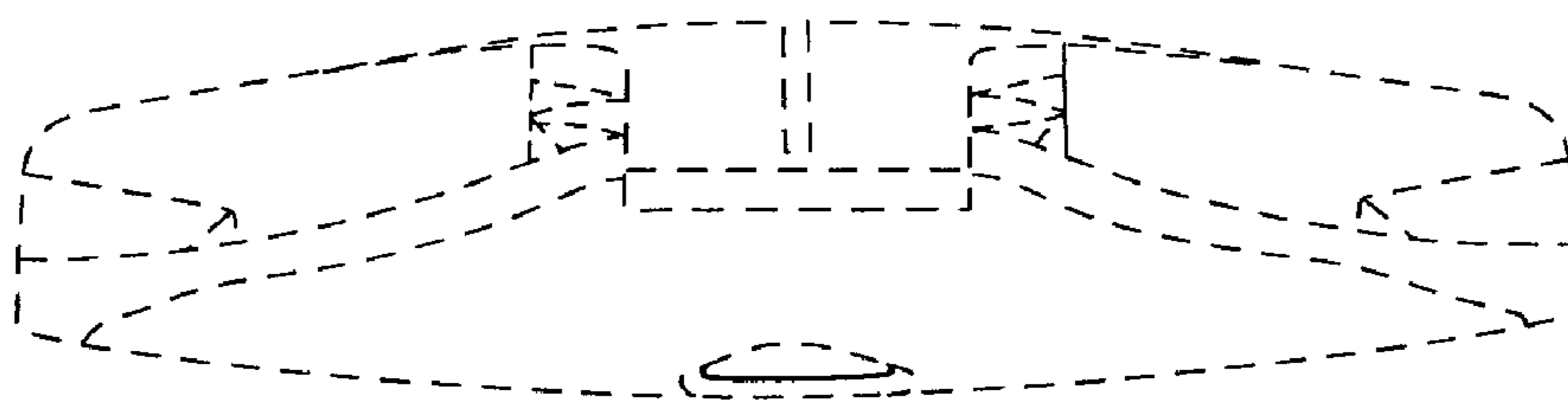


FIG. 6

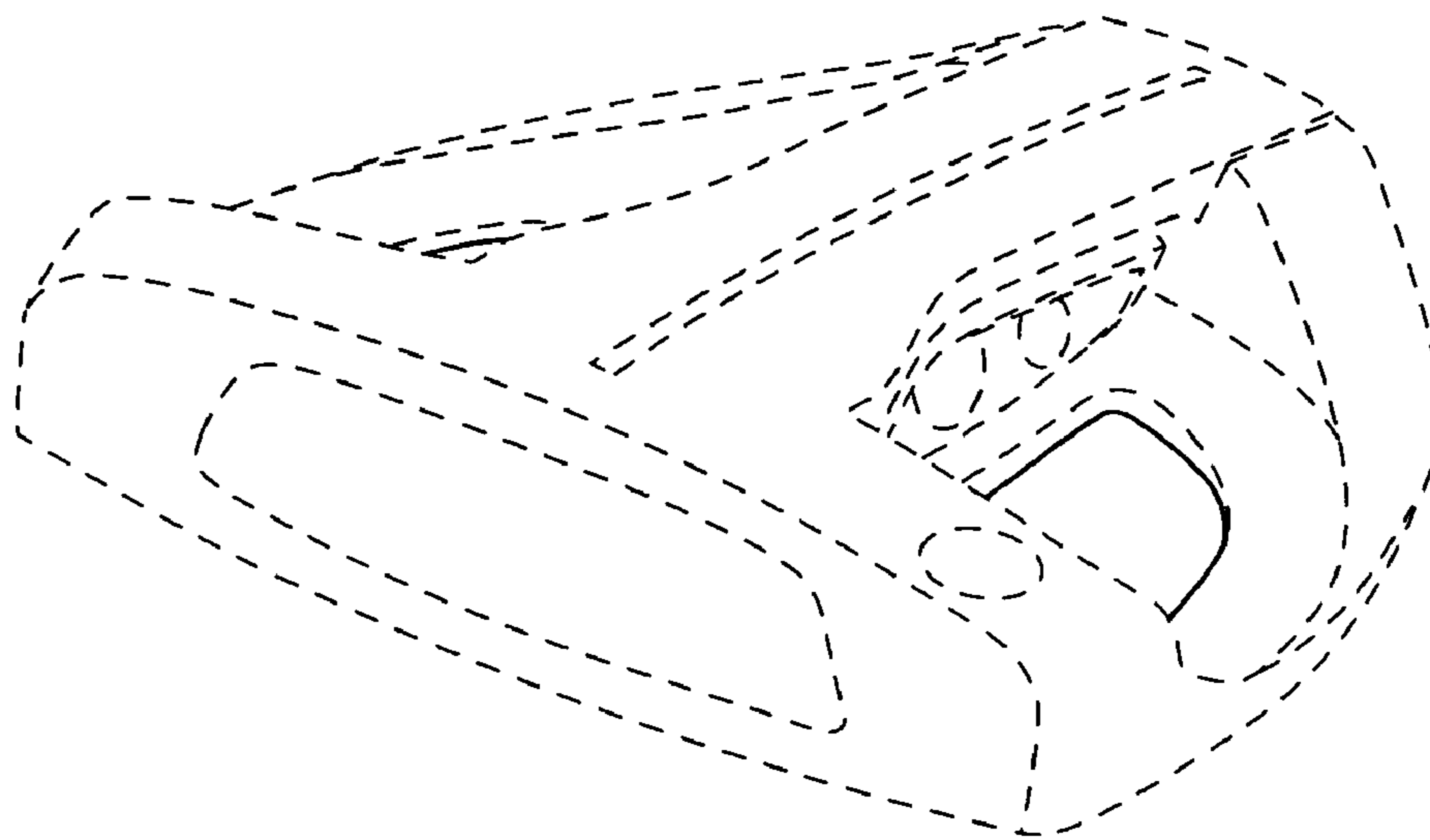


FIG. 7

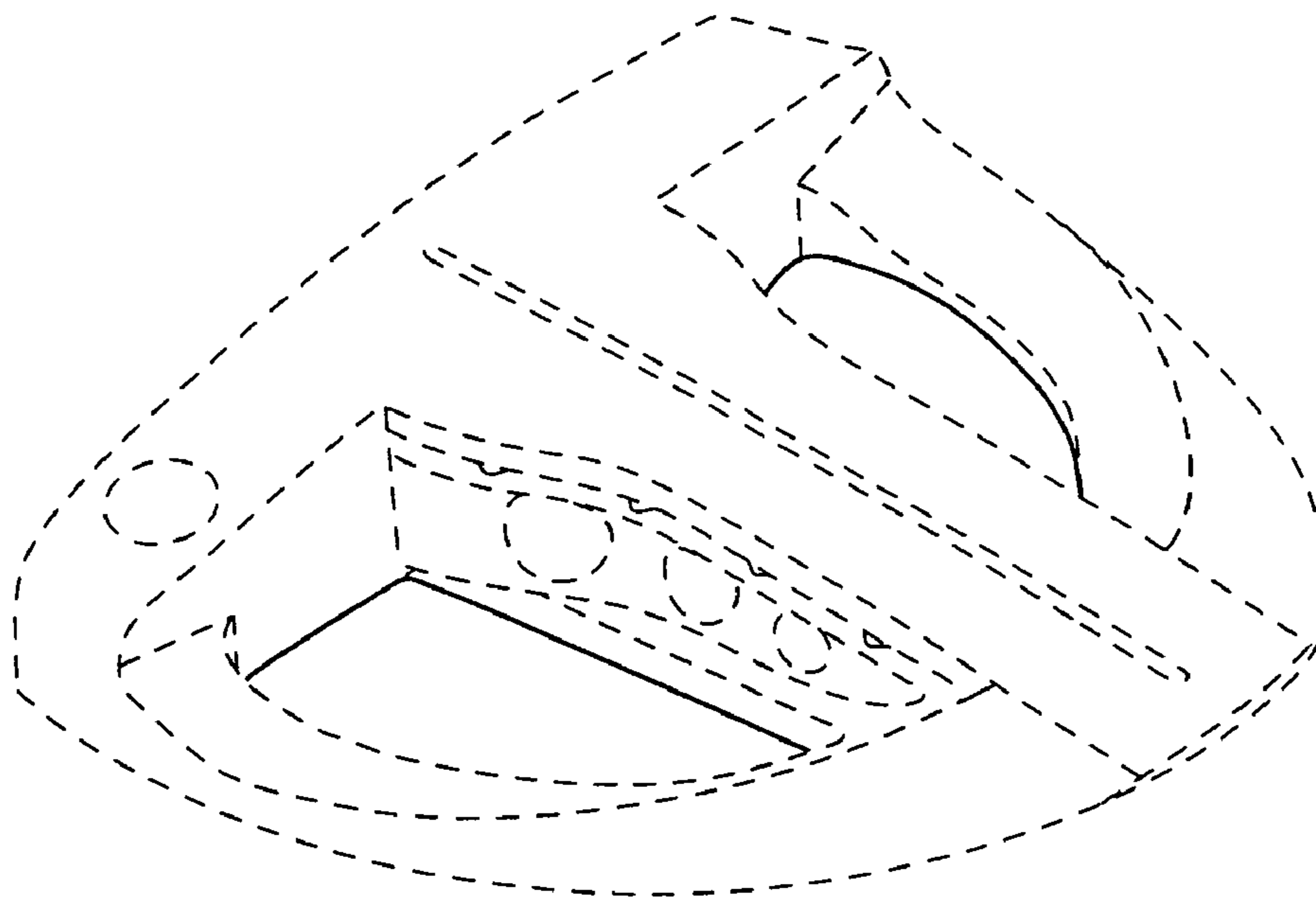


FIG. 8

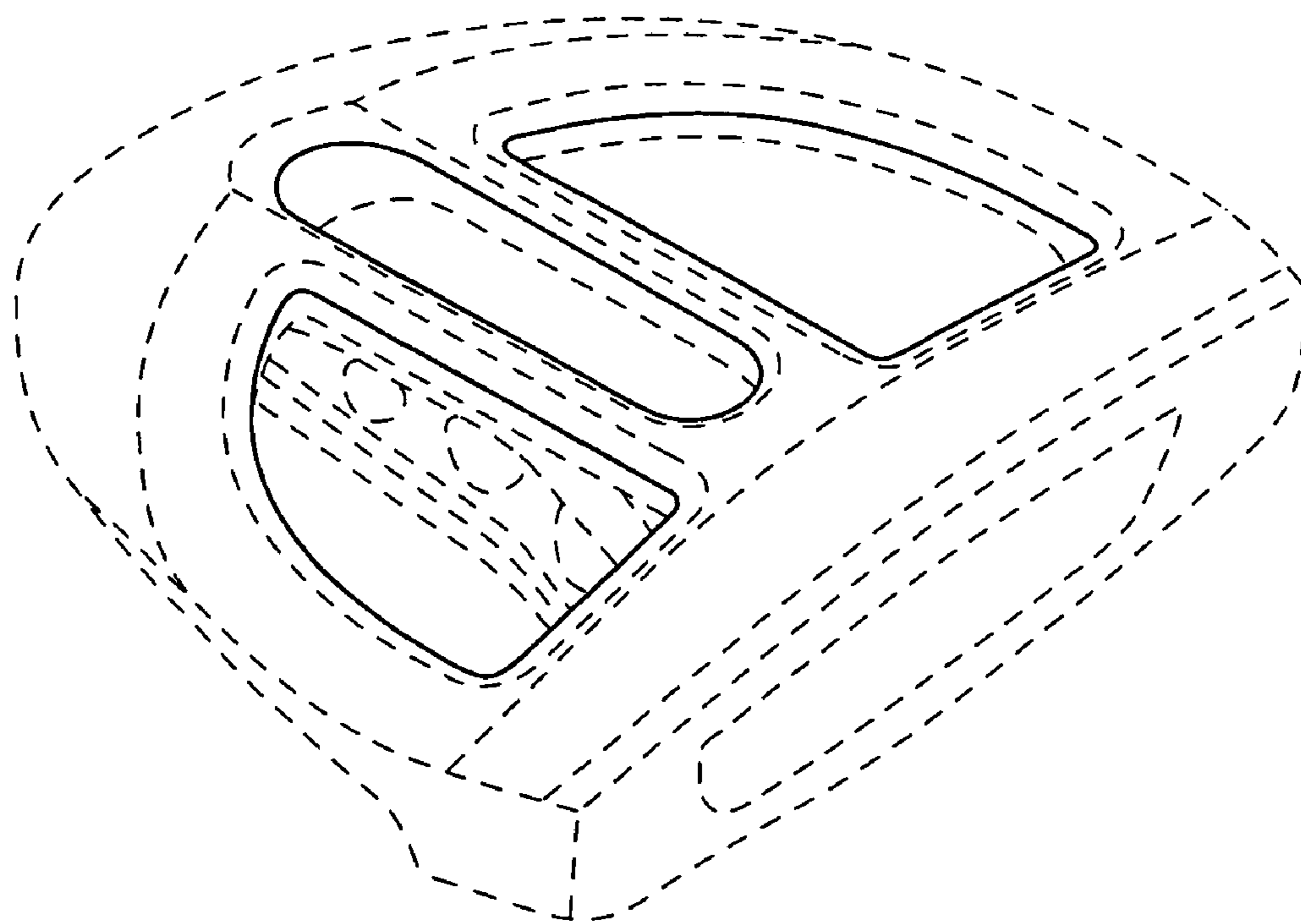


FIG. 9

UNITED STATES PATENT AND TRADEMARK OFFICE
CERTIFICATE OF CORRECTION

PATENT NO. : Des. 587,771 S
APPLICATION NO. : 29/300998
DATED : March 3, 2009
INVENTOR(S) : Jimmy H. Kuan et al.

Page 1 of 1

It is certified that error appears in the above-identified patent and that said Letters Patent is hereby corrected as shown below:

On the Title Pg, the List of Inventors, as shown Item (75), is corrected to add the following inventors: **Adam K. Sheldon**, Long Beach, CA (US); **Michael D. Sandoval**, La Palma, CA (US)

Signed and Sealed this

Twenty-ninth Day of December, 2009



David J. Kappos
Director of the United States Patent and Trademark Office