



US00D587767S

(12) **United States Design Patent**
Hauser et al.

(10) **Patent No.:** **US D587,767 S**
(45) **Date of Patent:** **** Mar. 3, 2009**

(54) **HANDLE FOR PULLUP EXERCISE BAR**
(75) Inventors: **Stephen G. Hauser**, Tarzana, CA (US);
Mark B. Friedman, Simi Valley, CA
(US); **Alden M. Mills**, Kentfield, CA
(US)

6,471,624 B1 * 10/2002 Voris 482/142
6,746,378 B2 * 6/2004 Morris et al. 482/100
7,066,866 B1 * 6/2006 Mobley 482/40
7,108,636 B1 * 9/2006 Garcia 482/40
7,108,641 B2 * 9/2006 Pertegaz-Esteban 482/139
7,316,634 B2 * 1/2008 Webber 482/93

* cited by examiner

(73) Assignee: **Perfect Pushup, LLC**, Mill Valley, CA
(US)

Primary Examiner—Philip S Hyder
(74) *Attorney, Agent, or Firm*—Charter Advisory Partners,
LLC

(**) Term: **14 Years**

(21) Appl. No.: **29/304,592**

(57) **CLAIM**

(22) Filed: **Mar. 5, 2008**

The ornamental design for a handle for pullup exercise bar, as shown and described.

(51) **LOC (9) Cl.** **21-02**

(52) **U.S. Cl.** **D21/662**

(58) **Field of Classification Search** D21/662,
D21/684, 694, 679; 482/38, 39, 40, 96, 139,
482/148

See application file for complete search history.

DESCRIPTION

FIG. 1 is a perspective view of an exemplary embodiment of a handle for pullup exercise bar showing our new design.

FIG. 2 is a front elevational view thereof.

FIG. 3 is a right side elevational view thereof, the left side elevational view being a mirror image of the right side elevational view and therefore not illustrated.

FIG. 4 is a top plan view thereof; and,

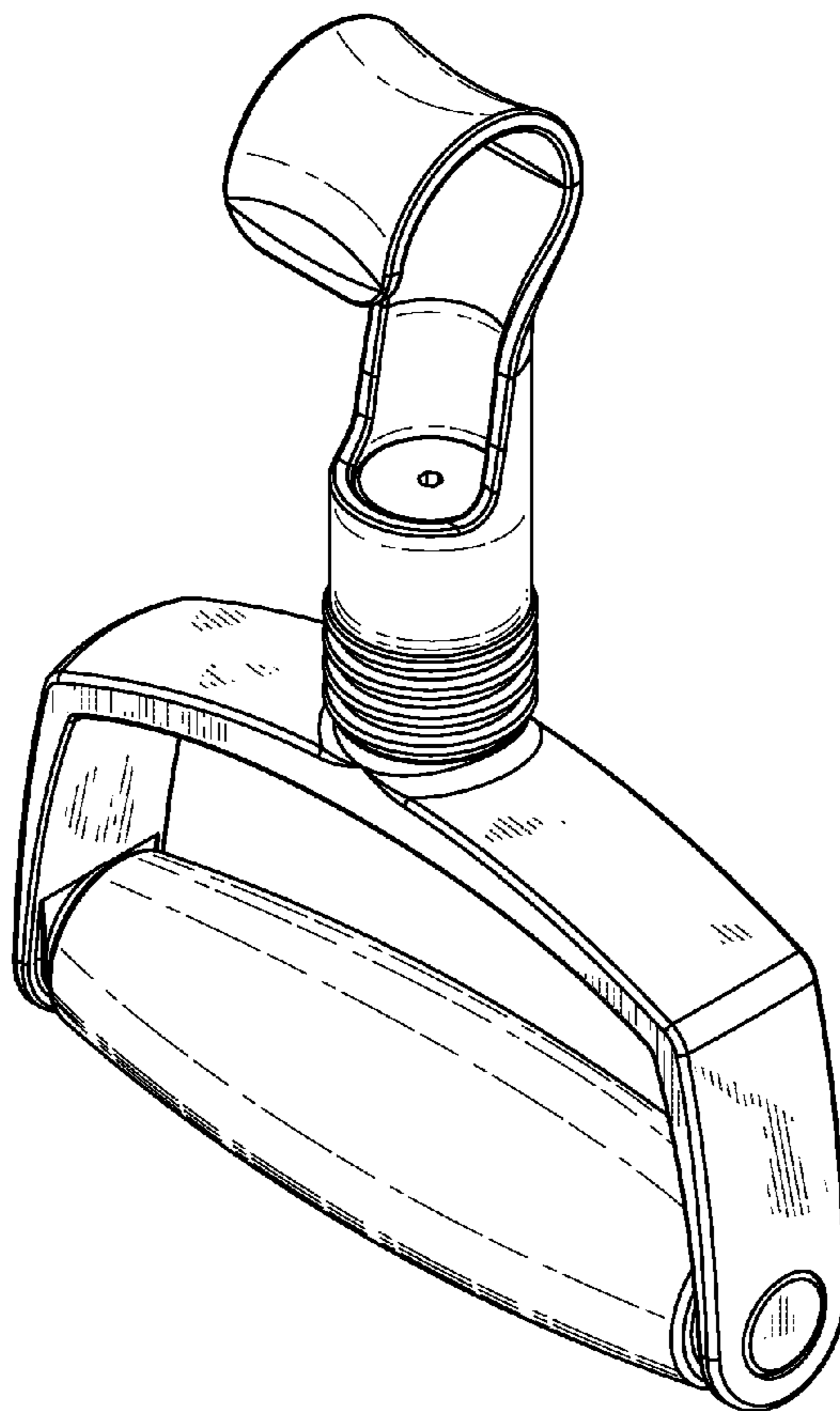
FIG. 5 is a bottom plan view thereof.

(56) **References Cited**

U.S. PATENT DOCUMENTS

4,629,184 A * 12/1986 Selkee 482/106
4,749,188 A * 6/1988 Montgomery 482/106
4,858,917 A * 8/1989 Montgomery 482/106

1 Claim, 3 Drawing Sheets



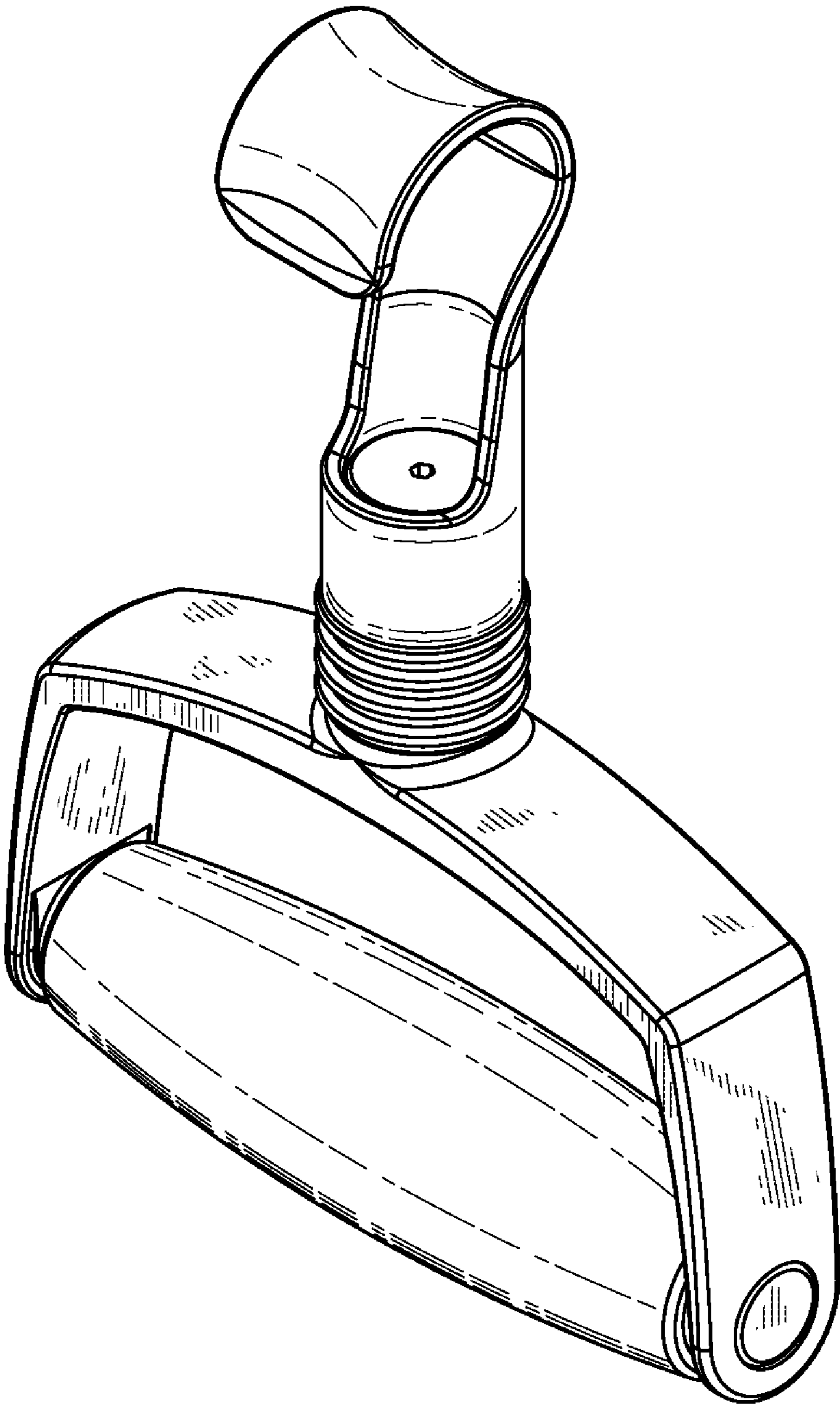


FIG. 1

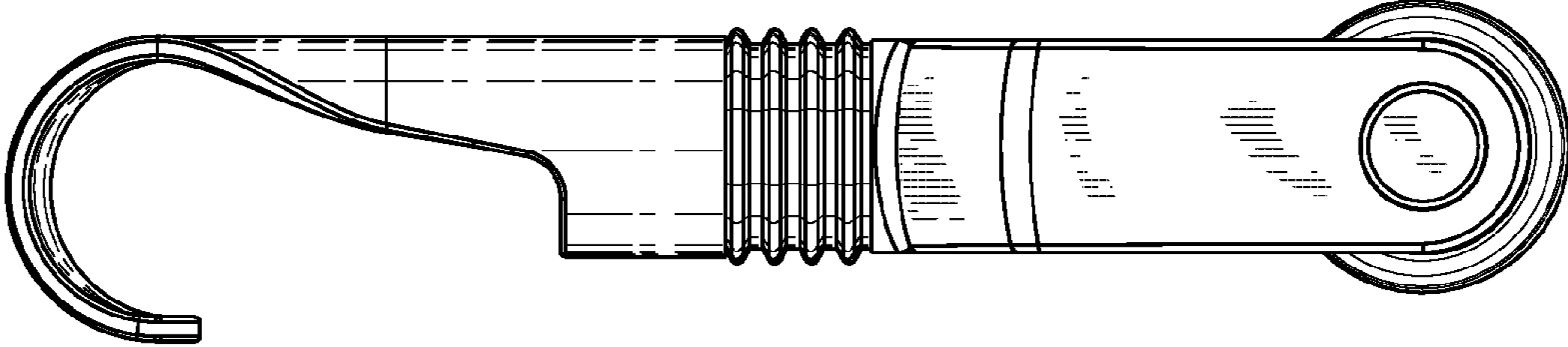


FIG. 3

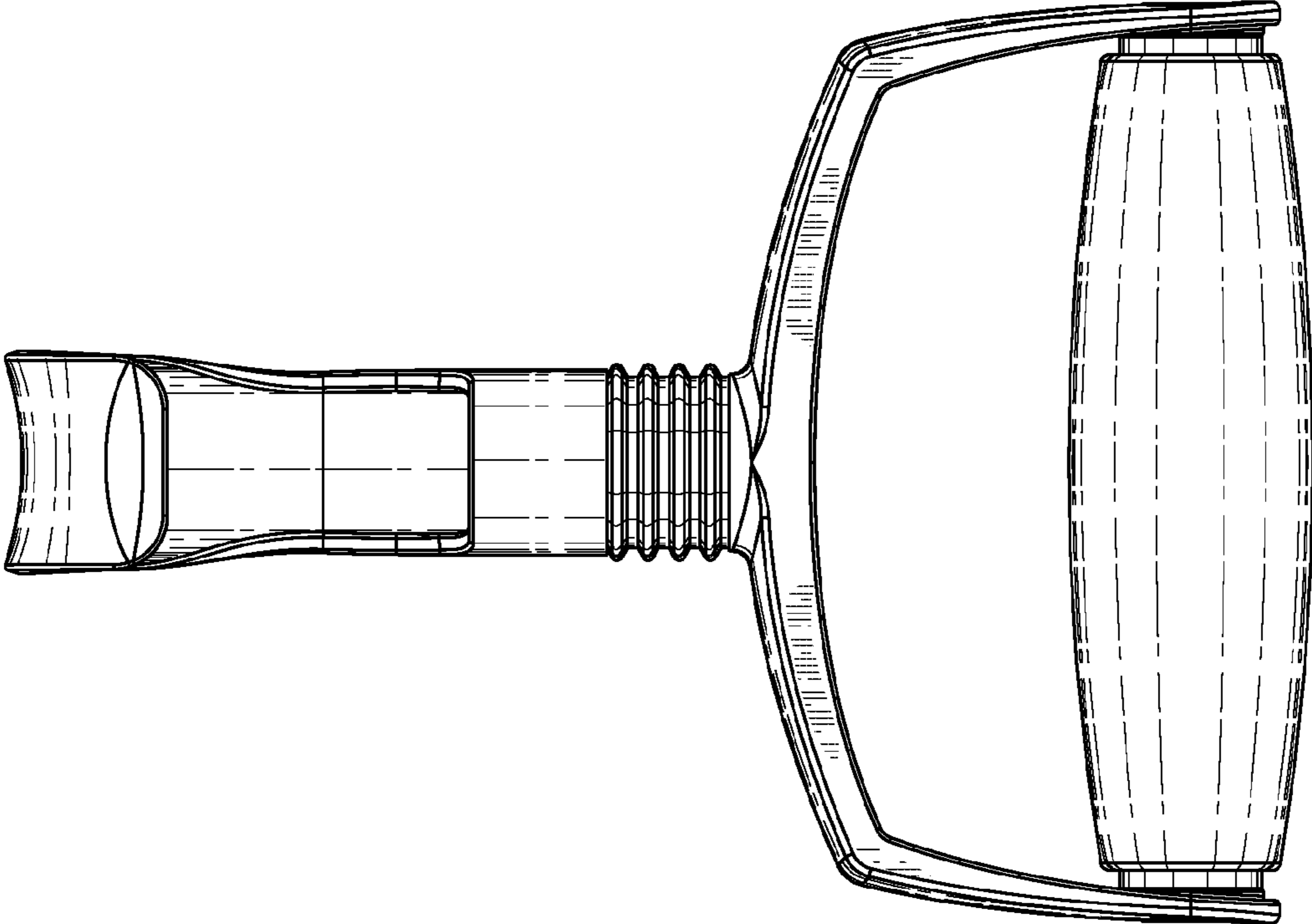


FIG. 2

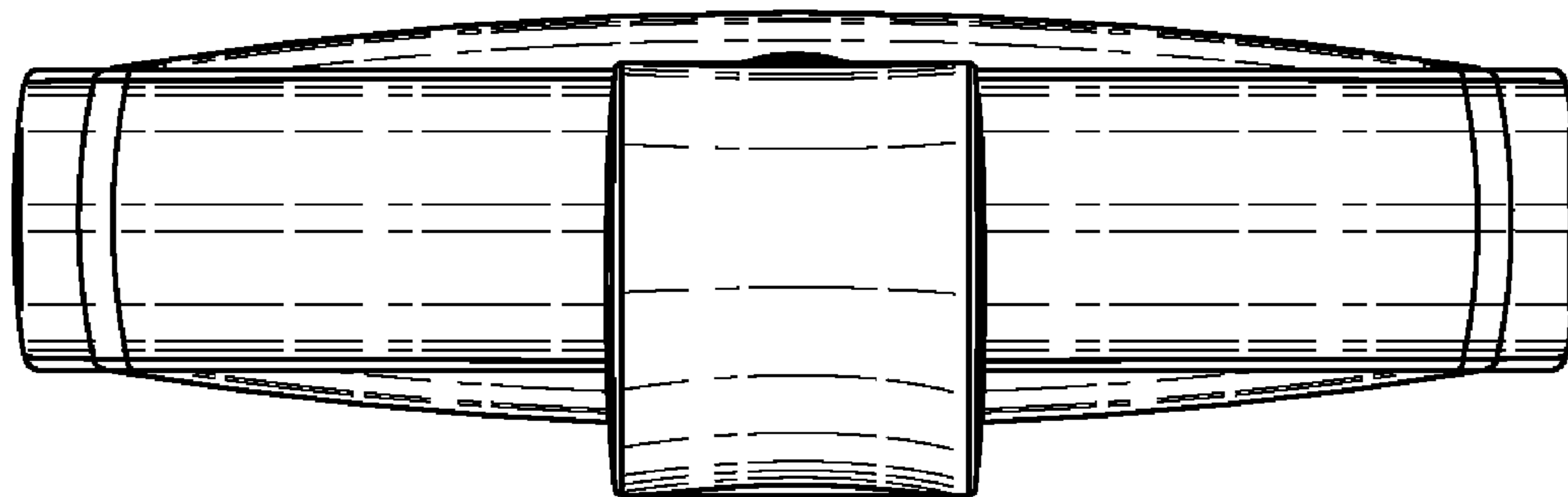


FIG. 4

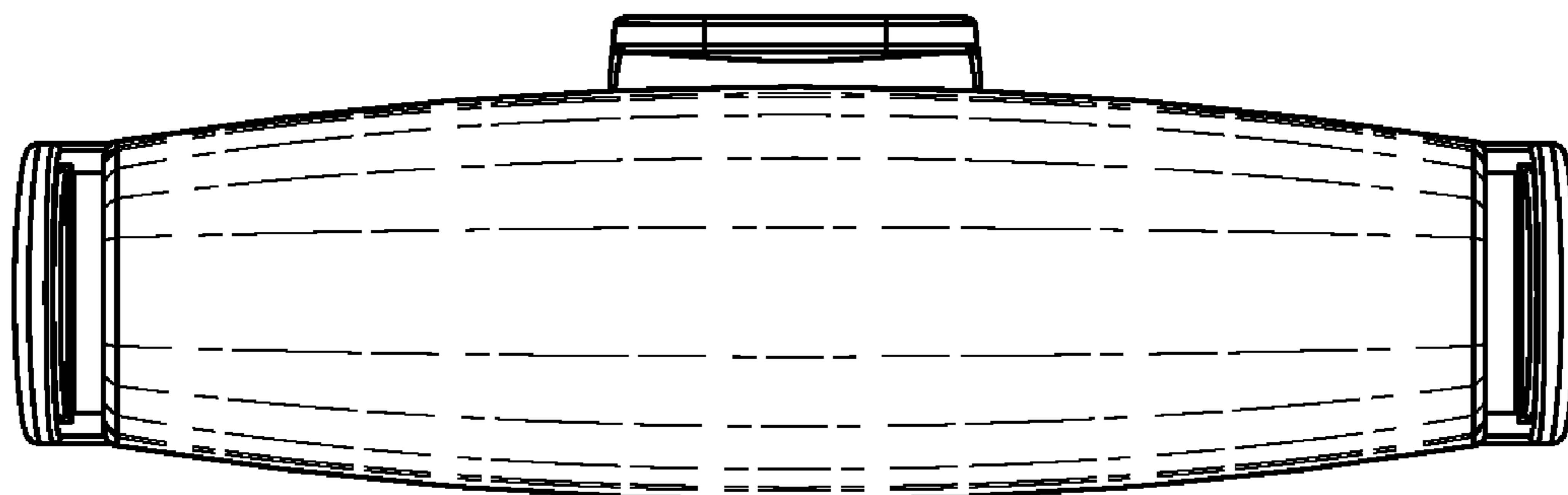


FIG. 5

UNITED STATES PATENT AND TRADEMARK OFFICE
CERTIFICATE OF CORRECTION

PATENT NO. : D587,767 S
APPLICATION NO. : 29/304592
DATED : March 3, 2009
INVENTOR(S) : Hauser et al.

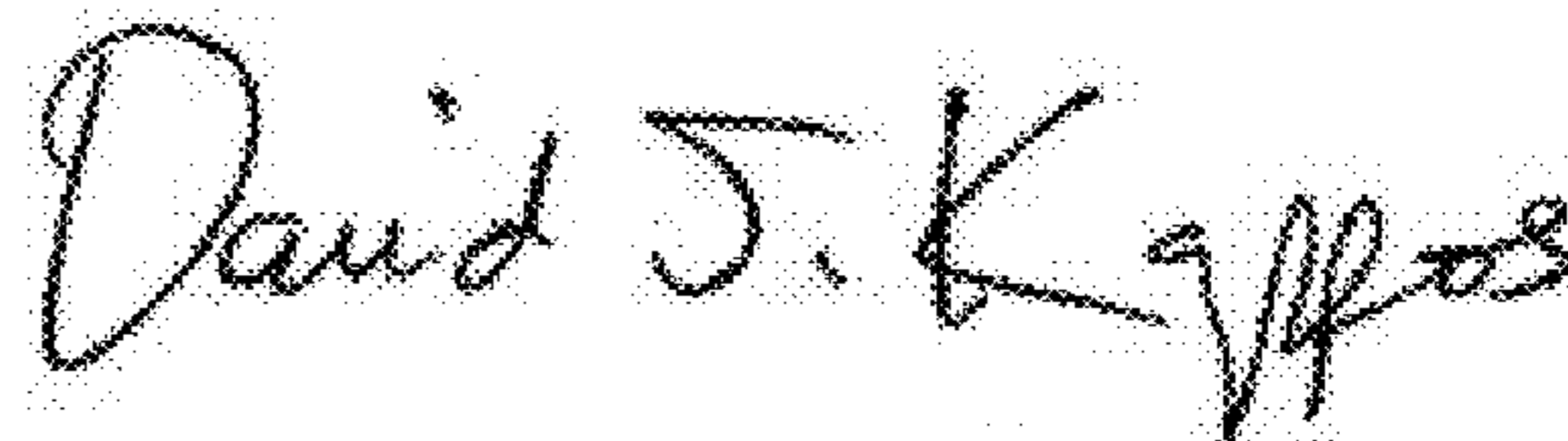
Page 1 of 1

It is certified that error appears in the above-identified patent and that said Letters Patent is hereby corrected as shown below:

Title Page, Item (54) "PULLUP" should read --PULL-UP--

In the description, "pullup" should read --pull-up--

Signed and Sealed this
Fourth Day of January, 2011

A handwritten signature in black ink that reads "David J. Kappos". The signature is written in a cursive style with a large initial "D".

David J. Kappos
Director of the United States Patent and Trademark Office