



US00D587766S

(12) **United States Design Patent**  
**Tippmann et al.**

(10) **Patent No.:** **US D587,766 S**  
(45) **Date of Patent:** **\*\* Mar. 3, 2009**

(54) **PAINTBALL FIELD MARKER**  
(75) Inventors: **Benjamin Tippmann**, Fort Wayne, IN (US); **Louis Spicer**, Sewell, NJ (US); **Kevin Mott**, Sewell, NJ (US)  
(73) Assignee: **KEE Action Sports I LLC**, Sewell, NJ (US)  
(\*\*) Term: **14 Years**

1,343,456 A 6/1920 Jones  
1,383,111 A 6/1921 Hall et al.  
1,441,975 A 1/1923 Edelin  
1,503,913 A 8/1924 Miles  
1,540,494 A 6/1925 Olszowiec  
1,702,984 A 2/1929 Shelman  
1,854,605 A 4/1932 Tratsch  
1,862,697 A 6/1932 Mihalyi  
1,867,513 A 7/1932 Lahti  
1,985,254 A 12/1934 Huse

(Continued)

(21) Appl. No.: **29/263,303**

FOREIGN PATENT DOCUMENTS

(22) Filed: **Jul. 20, 2006**

CA 999199 11/1976

(Continued)

(51) **LOC (9) Cl.** ..... **21-01**

(52) **U.S. Cl.** ..... **D21/573**

(58) **Field of Classification Search** ..... D21/567,  
D21/570-575; D22/100, 101, 103, 104,  
D22/108, 109; 124/41.1, 45, 49, 50, 51.1,  
124/55, 56, 69, 70-77, 79, 80

See application file for complete search history.

*Primary Examiner*—Holly H Baynham  
*Assistant Examiner*—Cynthia M Chin  
(74) *Attorney, Agent, or Firm*—Volpe and Koenig, P.C.

(57) **CLAIM**

The ornamental design for a paintball field marker, as shown and described.

(56) **References Cited**

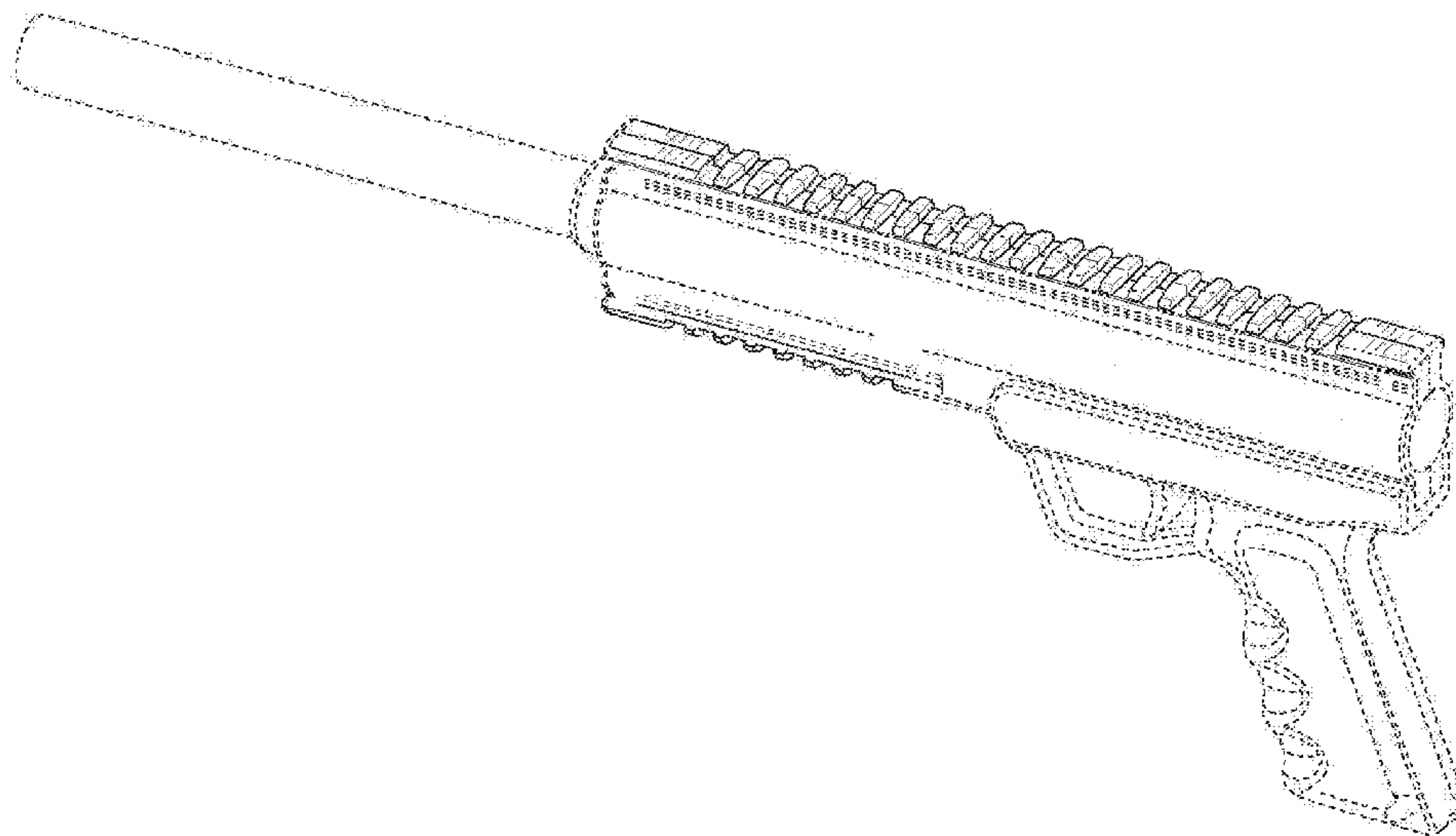
U.S. PATENT DOCUMENTS

71,162 A 11/1867 Hall  
267,027 A 11/1882 Shaw  
291,288 A 1/1884 Brown  
294,348 A 3/1884 Bartlett  
337,872 A 3/1886 Russell  
430,210 A 6/1890 Maxim  
463,623 A 11/1891 Eichbaum  
645,932 A 3/1900 Beck et al.  
684,055 A 10/1901 Gabbett-Fairfax  
809,640 A 1/1906 Stow  
815,490 A 3/1906 Thomas  
1,116,675 A 11/1914 Cook  
1,164,876 A 12/1915 Saylor  
1,167,178 A 1/1916 Hill  
1,191,877 A 7/1916 Dickey  
1,202,017 A 10/1916 Barnes  
1,269,851 A 6/1918 Plauschinat

**DESCRIPTION**

FIG. 1 is a left side perspective view of a design for an paintball field marker according to the present invention;  
FIG. 2 is a right side perspective view thereof;  
FIG. 3 is a right side elevational view thereof;  
FIG. 4 is a left side elevational view thereof;  
FIG. 5 is a top plan view thereof;  
FIG. 6 is a bottom plan view thereof;  
FIG. 7 is a front elevational view thereof; and,  
FIG. 8 is a rear elevational view thereof.  
The details shown in broken lines are for illustrative purposes only and form no part of the claimed design.

**1 Claim, 8 Drawing Sheets**



# US D587,766 S

Page 2

U.S. PATENT DOCUMENTS			
		3,374,708 A	3/1968 Wall
2,037,129 A	4/1936 Hilts	3,420,220 A	1/1969 Ferrando
2,115,483 A	4/1938 Defives	3,427,924 A	2/1969 Johnsen
2,116,860 A	5/1938 Blaylock et al.	3,428,037 A	2/1969 Capriolo et al.
2,123,324 A	7/1938 Webby	3,453,764 A	7/1969 Grolleau
2,208,313 A	7/1940 Schmidt	3,456,554 A	7/1969 Goodwin
2,235,201 A	3/1941 Cole	3,463,136 A	8/1969 Vadas et al.
2,252,754 A	8/1941 Browning	3,465,742 A	9/1969 Herr
2,271,576 A	2/1942 Wilcox	3,494,344 A	2/1970 Vadas et al.
2,283,300 A	5/1942 Vincent	3,495,580 A	2/1970 De Mare
2,299,073 A	10/1942 Beasley	3,502,061 A	3/1970 Yoo
2,304,320 A	12/1942 Tratsch	3,517,586 A	6/1970 Stoner
2,307,015 A	1/1943 Boynton	3,548,802 A	12/1970 Green
2,337,145 A	12/1943 Albree	3,572,310 A	3/1971 Chiba
2,357,951 A	9/1944 Hale	3,580,113 A	5/1971 Ramsay
2,383,088 A	8/1945 Shaw	3,584,532 A	6/1971 Stoner
2,398,813 A	4/1946 Swisher	3,612,026 A	10/1971 Vadas
2,411,778 A	11/1946 Wilde	3,613,282 A	10/1971 Ramsay
2,413,112 A	12/1946 Pontius, III et al.	3,657,960 A	4/1972 Badali
2,450,029 A	9/1948 Wells	3,675,534 A	7/1972 Beretta
2,454,790 A	11/1948 Garrett	3,675,678 A	7/1972 Lamping
2,482,880 A	9/1949 Sefried, II	3,680,433 A	8/1972 Tollinger
2,499,340 A	2/1950 Wells	3,695,246 A	10/1972 Filippi et al.
2,528,462 A	10/1950 Wells	3,707,110 A	12/1972 Alday
2,550,887 A	5/1951 Tratsch	3,712,171 A	1/1973 Sweigart
2,568,432 A	9/1951 Cook	3,728,937 A	4/1973 Nelson et al.
2,569,571 A	10/1951 Newell et al.	3,738,219 A	6/1973 Febres
2,574,408 A	11/1951 Moe	3,741,189 A	6/1973 Kester et al.
2,586,990 A	2/1952 Poitras et al.	3,763,739 A	10/1973 Tassie
2,594,185 A	4/1952 Lefever	3,763,843 A	10/1973 Fisher et al.
2,594,240 A	4/1952 Wells	3,765,396 A	10/1973 Kienholz et al.
2,618,254 A	11/1952 Wells	3,788,298 A	1/1974 Hale
2,634,717 A	4/1953 Jenkin	3,802,408 A	4/1974 Joyce
2,635,599 A	4/1953 Jenkin	3,818,887 A	6/1974 Akiyama et al.
2,699,767 A	1/1955 Mangolini	3,848,511 A	11/1974 Zanoni
2,727,530 A	12/1955 Grove et al.	3,854,231 A	12/1974 Broyles
2,734,310 A	2/1956 Christopher	3,855,988 A	12/1974 Sweeton
2,780,882 A	2/1957 Temple	3,899,845 A	8/1975 Wild et al.
2,787,712 A	3/1957 Cassidy	3,921,614 A	11/1975 Fogelgren
2,791,944 A	5/1957 Harvey	3,945,548 A	3/1976 Dorgnon
2,811,150 A	10/1957 Marocchi	3,949,642 A	4/1976 Broxholm et al.
2,817,328 A	12/1957 Gale	3,951,038 A	4/1976 Van Langenhoven
2,823,587 A	2/1958 Chadwick et al.	3,991,650 A	11/1976 Garland et al.
2,834,332 A	5/1958 Guthrie	3,996,687 A	12/1976 Helbling
2,857,813 A	10/1958 Elliott	3,998,129 A	12/1976 Broxholm et al.
2,869,563 A	1/1959 Schoengrun	4,002,156 A	1/1977 Fisher
2,881,752 A	4/1959 Blahnik	4,004,566 A	1/1977 Fisher
2,900,972 A	8/1959 Marsh et al.	4,009,536 A	3/1977 Wolff
2,909,101 A	10/1959 Hillberg	4,014,247 A	3/1977 Tollinger
2,924,211 A	2/1960 McSwain	4,039,034 A	8/1977 Wagner
2,935,001 A	5/1960 Buecker	4,078,327 A	3/1978 Moller et al.
2,960,977 A	11/1960 Moorhead, Jr.	4,083,349 A	4/1978 Clifford
3,000,371 A	9/1961 Hyde	4,086,902 A	5/1978 Reynolds
3,048,159 A	8/1962 Kline et al.	4,102,242 A	7/1978 Liedke
3,075,433 A	1/1963 Stockholm	4,108,272 A	8/1978 Paitson et al.
3,077,875 A	2/1963 Kline et al.	4,109,557 A	8/1978 Zaucha
3,084,833 A	4/1963 Kline et al.	4,120,367 A	10/1978 Wagner
3,170,487 A	2/1965 Juilfs et al.	4,134,223 A	1/1979 Hillenbrandt et al.
3,177,772 A	4/1965 Stanton et al.	4,147,152 A	4/1979 Fischer et al.
3,200,710 A	8/1965 Kelly et al.	4,148,245 A	4/1979 Steffanus
3,204,625 A	9/1965 Shepherd	4,161,904 A	7/1979 Groen et al.
3,212,489 A	10/1965 Merz	4,164,929 A	8/1979 Liepins
3,240,200 A	3/1966 Jones	4,178,832 A	12/1979 Crowell
3,250,034 A	5/1966 Simmons	4,185,824 A	1/1980 Natwick
3,255,669 A	6/1966 Olofsson	4,191,158 A	3/1980 Curran
3,273,553 A	9/1966 Doyle	4,194,304 A	3/1980 Wolcott
3,308,803 A	3/1967 Walther	4,211,300 A	7/1980 Miller
3,333,508 A	8/1967 Kruzell	4,225,009 A	9/1980 Harrison et al.
3,335,805 A	8/1967 Diez et al.	4,244,273 A	1/1981 Langendorfer, Jr. et al.
3,342,171 A	9/1967 Ryan et al.	4,270,437 A	6/1981 Donovan
3,343,455 A	9/1967 Lohr	4,275,521 A	6/1981 Gerstenberger et al.
3,346,984 A	10/1967 Lohr	4,280,248 A	7/1981 Herubel
		4,282,852 A	8/1981 Omana



# US D587,766 S

4,285,153 A	8/1981	Crouch	5,477,843 A	12/1995	Kunimoto
4,302,190 A	11/1981	Shaw et al.	5,494,024 A	2/1996	Scott
4,304,213 A	12/1981	Jereckos	5,497,758 A	3/1996	Dobbins et al.
4,311,081 A	1/1982	Gillum	5,503,137 A	4/1996	Fusco
4,324,060 A	4/1982	Lawrence	5,509,399 A	4/1996	Poor
4,324,311 A	4/1982	Farris	5,515,838 A	5/1996	Anderson
4,329,803 A	5/1982	Johnson et al.	5,533,292 A *	7/1996	Swan ..... 42/123
4,332,098 A	6/1982	Estenevy	5,542,406 A	8/1996	Oneto
4,347,679 A	9/1982	Grunig et al.	5,572,982 A	11/1996	Williams
4,362,145 A	12/1982	Stelcher	5,577,962 A	11/1996	Kounoe
4,369,759 A	1/1983	Gerstenberger et al.	5,586,545 A	12/1996	McCaslin
4,416,631 A	11/1983	Dawson et al.	5,590,484 A *	1/1997	Mooney et al. .... 42/111
4,450,752 A	5/1984	Donovan	5,605,140 A	2/1997	Griffin
4,472,794 A	9/1984	Chelminski	5,613,483 A	3/1997	Lukas et al.
4,480,999 A	11/1984	Witherell et al.	5,634,456 A	6/1997	Perrone
4,503,929 A	3/1985	Farris et al.	5,646,910 A	7/1997	Bouyoucos
4,531,503 A	7/1985	Shepherd	5,655,509 A	8/1997	Casas Salva
4,544,034 A	10/1985	George	5,669,369 A	9/1997	Scott
4,574,681 A	3/1986	Gundrum et al.	5,673,679 A	10/1997	Walters
4,586,422 A	5/1986	Magoon	5,704,342 A	1/1998	Gibson et al.
4,602,608 A	7/1986	Lacam et al.	5,711,286 A	1/1998	Petrosyan et al.
4,616,622 A	10/1986	Milliman	5,722,383 A	3/1998	Tippmann, Sr. et al.
4,619,184 A	10/1986	Shalev	5,727,538 A	3/1998	Ellis
4,694,815 A	9/1987	Hung	5,735,684 A	4/1998	Tsai
4,706,848 A	11/1987	D'Andrade	5,755,056 A	5/1998	Danner et al.
4,709,686 A	12/1987	Taylor et al.	5,755,213 A	5/1998	Gardner, Jr. et al.
4,757,629 A	7/1988	Austin	5,769,066 A	6/1998	Schneider
4,770,153 A	9/1988	Edelman	5,771,875 A	6/1998	Sullivan
4,793,085 A	12/1988	Surawski et al.	5,778,868 A	7/1998	Shepherd
4,803,911 A	2/1989	Morini	5,791,328 A	8/1998	Alexander
4,808,143 A	2/1989	Kuo	5,819,715 A	10/1998	Haneda et al.
4,819,609 A	4/1989	Tippmann	5,878,736 A	3/1999	Lotuaco, III
4,819,610 A	4/1989	Lacam et al.	5,881,707 A	3/1999	Gardner, Jr.
4,848,307 A	7/1989	Tsao	5,890,479 A	4/1999	Morin
4,850,330 A	7/1989	Nagayoshi	D410,061 S *	5/1999	Emerson ..... D22/110
4,865,009 A	9/1989	Ford et al.	5,904,133 A	5/1999	Alexander et al.
4,870,945 A	10/1989	Hutchison	5,908,024 A	6/1999	Staev
4,899,717 A	2/1990	Rutten et al.	5,913,303 A	6/1999	Kotsiopoulos
4,936,282 A	6/1990	Dobbins et al.	5,950,611 A	9/1999	Lopez et al.
D308,993 S *	7/1990	Kilby ..... D21/573	5,957,119 A	9/1999	Perry et al.
4,951,644 A	8/1990	Bon	5,967,133 A	10/1999	Gardner, Jr.
4,986,164 A	1/1991	Crutcher	6,000,386 A	12/1999	Johnson et al.
5,004,444 A	4/1991	Chih	6,003,504 A	12/1999	Rice et al.
5,016,517 A	5/1991	Pate et al.	6,003,547 A	12/1999	Tippmann, Jr.
5,054,464 A	10/1991	Young	6,024,077 A	2/2000	Kotsiopoulos
5,063,824 A	11/1991	Nordmann et al.	6,032,395 A	3/2000	Bentley et al.
5,063,905 A	11/1991	Farrell	6,035,843 A	3/2000	Smith et al.
5,078,118 A	1/1992	Perrone	6,062,208 A	5/2000	Seefeldt et al.
5,127,257 A	7/1992	Rice	6,065,460 A	5/2000	Lotuaco, III
5,129,383 A	7/1992	Rutten	6,123,243 A	9/2000	Pfister et al.
5,161,516 A	11/1992	Ekstrom	6,138,656 A	10/2000	Rice et al.
5,224,465 A	7/1993	Milliman	6,158,424 A	12/2000	Kunimoto
5,241,944 A	9/1993	Rappaport	D435,885 S *	1/2001	Wallace ..... D22/110
5,254,379 A	10/1993	Kotsiopoulos et al.	6,170,477 B1	1/2001	Horlock
5,257,614 A	11/1993	Sullivan	6,213,111 B1	4/2001	Alexander et al.
5,261,384 A	11/1993	Hu	6,226,915 B1	5/2001	Kotsiopoulos
5,265,582 A	11/1993	Bhogal	6,227,187 B1	5/2001	Alexander et al.
5,280,778 A	1/1994	Kotsiopoulos	6,233,928 B1	5/2001	Scott
5,303,495 A	4/1994	Harthcock	6,273,079 B1	8/2001	Jzn
5,333,594 A	8/1994	Robinson	6,276,354 B1	8/2001	Dillon
5,337,726 A	8/1994	Wood	6,302,092 B1	10/2001	Juan
5,339,791 A	8/1994	Sullivan	6,305,941 B1	10/2001	Kotsiopoulos et al.
5,343,849 A	9/1994	Steer	6,311,682 B1	11/2001	Rice et al.
5,349,938 A	9/1994	Farrell	6,324,779 B1	12/2001	Tippmann, Jr.
5,349,939 A	9/1994	Perrone	6,343,599 B1	2/2002	Perrone
5,353,712 A	10/1994	Olson	6,349,711 B1	2/2002	Perry et al.
5,363,834 A	11/1994	Stuchlik	6,360,736 B1	3/2002	Juan
5,377,655 A	1/1995	Arad	6,371,099 B1	4/2002	Lee
5,383,442 A	1/1995	Tippmann	6,415,781 B1	7/2002	Perrone
5,413,083 A	5/1995	Jones	6,418,657 B1 *	7/2002	Brown ..... 42/124
5,429,108 A	7/1995	Hsieh	6,418,919 B1	7/2002	Perrone
5,462,042 A	10/1995	Greenwell	6,439,217 B1	8/2002	Shih
5,476,087 A	12/1995	Kunimoto	6,470,872 B1	10/2002	Tiberius et al.



# US D587,766 S

6,474,326 B1	11/2002	Smith et al.	7,121,272 B2	10/2006	Jones
6,488,019 B2	12/2002	Kotsiopoulos	7,127,845 B2	10/2006	Rice et al.
6,516,791 B2	2/2003	Perrone	7,185,646 B2	3/2007	Jones
6,520,171 B2	2/2003	Reible	2001/0042543 A1	11/2001	Perrone
6,520,172 B2	2/2003	Perrone	2002/0002785 A1	1/2002	Tippmann, Jr.
6,526,685 B2	3/2003	Tippmann, Jr.	2002/0017287 A1	2/2002	Rice et al.
6,532,949 B1	3/2003	McKendrick	2002/0020402 A1	2/2002	Kotsiopoulos
6,550,468 B1	4/2003	Tippmann, Jr.	2002/0040543 A1	4/2002	Tippmann, Jr.
6,553,983 B1	4/2003	Li	2002/0046747 A1	4/2002	Colby
6,557,542 B1	5/2003	Orr	2002/0088449 A1	7/2002	Perrone
6,561,176 B1	5/2003	Fujimoto et al.	2002/0096163 A1	7/2002	Perrone
6,564,788 B1	5/2003	Hu	2002/0096164 A1	7/2002	Perrone
6,564,789 B1	5/2003	Hu	2002/0104524 A1	8/2002	Reible
6,578,566 B2	6/2003	Hernandez	2002/0117159 A1	8/2002	Kotsiopoulos et al.
6,581,585 B2	6/2003	Nibecker, Jr.	2002/0170551 A1	11/2002	Kotsiopoulos et al.
6,590,386 B1	7/2003	Williams	2003/0010330 A1	1/2003	Jong
6,601,780 B1	8/2003	Sheng	2003/0024520 A1	2/2003	Dobbins
6,609,511 B2	8/2003	Kotsiopoulos et al.	2003/0024521 A1	2/2003	Smith et al.
6,615,814 B1	9/2003	Rice et al.	2003/0047174 A1	3/2003	Tiberius et al.
6,618,975 B1	9/2003	Shih	2003/0047175 A1	3/2003	Farrell
6,622,714 B2	9/2003	Liang	2003/0066520 A1	4/2003	Chang
6,626,165 B1	9/2003	Bhokal	2003/0079731 A1	5/2003	Dobbins
6,637,420 B2	10/2003	Moritz	2003/0127084 A1	7/2003	Tippmann, Jr.
6,637,421 B2	10/2003	Smith et al.	2003/0131514 A1	7/2003	Rice et al.
6,644,293 B2	11/2003	Jong	2003/0131836 A1	7/2003	Dobbins
6,644,295 B2	11/2003	Jones	2003/0154968 A1	8/2003	Rice et al.
6,644,296 B2	11/2003	Gardner, Jr.	2003/0168052 A1	9/2003	Masse
6,658,982 B2	12/2003	Cherry	2003/0178018 A1	9/2003	Cherry
6,662,797 B1	12/2003	Freeman et al.	2003/0221684 A1	12/2003	Rice
D486,878 S *	2/2004	Selvaggio ..... D22/110	2003/0226555 A1	12/2003	Reible
6,694,963 B1	2/2004	Taylor	2003/0230296 A1	12/2003	Farrell
D487,792 S *	3/2004	Selvaggio ..... D22/110	2004/0011344 A1	1/2004	Rice et al.
6,701,909 B2	3/2004	Tiberius et al.	2004/0055588 A1	3/2004	Rice et al.
6,705,036 B2	3/2004	Orr	2004/0065310 A1	4/2004	Masse et al.
6,708,685 B2	3/2004	Masse	2004/0084038 A1	5/2004	Gabrel
6,732,726 B2	5/2004	Ho	2004/0084040 A1	5/2004	Jones
6,739,323 B2	5/2004	Tippmann, Jr.	2004/0123856 A1	7/2004	Finstad
6,739,324 B2	5/2004	Hubert et al.	2004/0134475 A1	7/2004	Jong
6,748,938 B2	6/2004	Rice et al.	2004/0134476 A1	7/2004	Smith et al.
6,763,822 B1	7/2004	Styles	2004/0144012 A1	7/2004	Adams
6,766,795 B1	7/2004	Sullivan	2004/0154600 A1	8/2004	Jong
6,802,305 B1	10/2004	Hatcher	2004/0200115 A1	10/2004	Monks et al.
6,802,306 B1	10/2004	Rice	2004/0216727 A1	11/2004	Rice et al.
6,807,959 B1	10/2004	Murdock et al.	2004/0216728 A1	11/2004	Jong
6,810,870 B1	11/2004	Hu	2004/0237954 A1	12/2004	Styles et al.
6,810,871 B2	11/2004	Jones	2005/0005924 A1	1/2005	Sheng
6,832,605 B2	12/2004	Farrell	2005/0066952 A1	3/2005	Lai et al.
6,857,422 B2	2/2005	Pedicini et al.	2005/0109329 A1	5/2005	Janavicius
6,857,423 B2	2/2005	Jong	2005/0115549 A1	6/2005	Jones
6,860,258 B2	3/2005	Farrell	2005/0115550 A1	6/2005	Jones
6,860,259 B2	3/2005	Rice et al.	2005/0115554 A1	6/2005	Jones
D503,959 S *	4/2005	Wardle ..... D22/108	2005/0126553 A1	6/2005	Rice
6,880,281 B1	4/2005	Orr	2005/0133014 A1	6/2005	Jones
6,889,681 B1	5/2005	Alexander et al.	2005/0145235 A1	7/2005	Jong
6,892,718 B2	5/2005	Tiberius et al.	2005/0155591 A1	7/2005	Forster
6,895,708 B2 *	5/2005	Kim et al. .... 42/72	2005/0166747 A1	8/2005	Chenery et al.
6,901,923 B2	6/2005	Jones	2005/0178039 A1	8/2005	Flores
6,915,792 B1	7/2005	Sheng	2005/0178373 A1	8/2005	Hatcher
6,925,997 B2	8/2005	Sheng	2005/0183712 A1	8/2005	Goepfert
6,928,999 B1	8/2005	Hslao et al.	2005/0188975 A1	9/2005	Rice et al.
D510,120 S *	9/2005	Ding ..... D22/110	2005/0194558 A1	9/2005	Carnall et al.
6,941,693 B2	9/2005	Rice et al.	2005/0217652 A1	10/2005	Styles
6,948,487 B2	9/2005	Rice et al.	2005/0217654 A1	10/2005	Yeh
6,957,646 B2	10/2005	Nibecker, Jr.	2005/0217655 A1	10/2005	Jones
6,966,313 B1	11/2005	Yokota et al.	2005/0224062 A1	10/2005	Shih
D513,056 S *	12/2005	Ding ..... D22/110	2005/0235976 A1	10/2005	Carnall
6,973,748 B2	12/2005	Rice	2005/0268894 A1	12/2005	Styles et al.
6,986,343 B2	1/2006	Carnall et al.	2006/0005825 A1	1/2006	Monks
7,017,569 B2	3/2006	Jong	2006/0011184 A1	1/2006	Jacobsson et al.
7,044,119 B2	5/2006	Jones	2006/0011185 A1	1/2006	Jacobsson et al.
7,059,316 B1	6/2006	Tseng	2006/0011186 A1	1/2006	Jones et al.
7,086,393 B1	8/2006	Moss	2006/0011187 A1	1/2006	Gardner, Jr. et al.
7,100,593 B2	9/2006	Smith et al.	2006/0011188 A1	1/2006	Jones

# US D587,766 S

Page 5

2006/0032487	A1	2/2006	Tippmann, Sr. et al.	GB	880009	10/1961
2006/0037597	A1	2/2006	Wood	GB	998607	7/1965
2006/0097211	A1	5/2006	Spurlock et al.	GB	1223675	3/1971
2006/0162712	A1	7/2006	Yeh	GB	2057646	4/1981
2006/0162714	A1	7/2006	Lai	GB	2110348	6/1983
2006/0162787	A1	7/2006	Yeh	GB	2132494	7/1984
2006/0169264	A1	8/2006	Lai	GB	2193797	2/1988
2006/0169265	A1	8/2006	Lai	GB	2198818	6/1988
2006/0169266	A1	8/2006	Carnall et al.	GB	2202614	9/1988
2006/0207586	A1	9/2006	Jones	GB	2228067	8/1990
2006/0207587	A1	9/2006	Jones et al.	GB	2249159	4/1992
2006/0225718	A1	10/2006	Kirwan	GB	2258913	2/1993
2007/0012214	A1	1/2007	Yeh	GB	2264066	8/1993
2007/0113835	A1	5/2007	Yeh	GB	2289322	11/1995
2007/0113836	A1	5/2007	Dobbins	GB	2307033	5/1997
2007/0119988	A1	5/2007	Sheng	GB	2313655	12/1997
2007/0131210	A1	6/2007	Lai	GB	2342710	4/2000
2007/0151551	A1	7/2007	Verini	GB	2345953	7/2000
2007/0169766	A1	7/2007	Hensel et al.	GB	2352022	1/2001
2007/0175465	A1	8/2007	Quinn et al.	GB	2373311	9/2002
2007/0186761	A1	8/2007	Perry	GB	2379494	3/2003
2007/0209649	A1	9/2007	Jones	GB	2384292	7/2003
2007/0209650	A1	9/2007	Jones	GB	2391063	1/2004
2007/0215134	A1	9/2007	DeHaan et al.	GB	2415240	12/2006
2007/0227519	A1	10/2007	Wood	JP	11-79898	7/1989
2007/0272222	A1	11/2007	Ho	JP	12-85798	11/1989
2008/0066729	A1	3/2008	Evans	JP	21-207046	5/1990

## FOREIGN PATENT DOCUMENTS

CA	2396031	1/2003	JP	31-91298	8/1991
CH	676501	1/1991	JP	32-07998	9/1991
CH	679243	1/1992	JP	32-21793	9/1991
CN	1570384	1/2005	JP	32-36598	10/1991
DE	3638671	5/1988	JP	40-09599	1/1992
DE	4018522	12/1991	JP	40-32699	2/1992
DE	4030918	4/1992	JP	51-26497	5/1993
DE	4212623	10/1993	JP	61-23594	5/1994
DE	4243618	6/1994	JP	61-37789	5/1994
DE	1985355	7/2000	JP	61-37790	5/1994
EP	0276843	8/1988	JP	62-07797	7/1994
EP	0304186	2/1989	JP	62-35597	8/1994
EP	0375313	6/1990	JP	62-57993	9/1994
EP	0257169	1/1991	JP	07-12795	1/1995
EP	0467089	1/1992	JP	70-04892	1/1995
EP	0772022	5/1997	JP	70-91894	4/1995
EP	0321102	6/1999	JP	72-25096	8/1995
EP	1197723	4/2002	JP	73-18297	12/1995
EP	1209435	5/2002	JP	80-05292	1/1996
ES	8305919	7/1983	JP	10-148495	6/1998
GB	191010356	4/1911	JP	10-153400	6/1998
GB	154662	12/1920	JP	10-238995	9/1998
GB	154662 A	12/1920	JP	11-173792	7/1999
GB	254976	7/1926	JP	11-347746	12/1999
GB	466151	5/1937	JP	2000-213892	8/2000
GB	475049	11/1937	JP	2001-033196	2/2001
GB	478503	1/1938	JP	33196	2/2001
GB	483531	4/1938	JP	2002-168594	6/2002
GB	500621	2/1939	WO	87/03081	5/1987
GB	562130	6/1944	WO	88/05895	8/1988
GB	570178	6/1945	WO	98/13660	4/1998
GB	6147740	12/1948	WO	98/23911	6/1998
GB	631797	10/1949	WO	00/75594	12/2000
GB	711542	7/1954	WO	03/002927	1/2003
GB	741256	11/1955	WO	2004/010072	1/2004
GB	864986	4/1961	WO	2005/119158	12/2005

\* cited by examiner



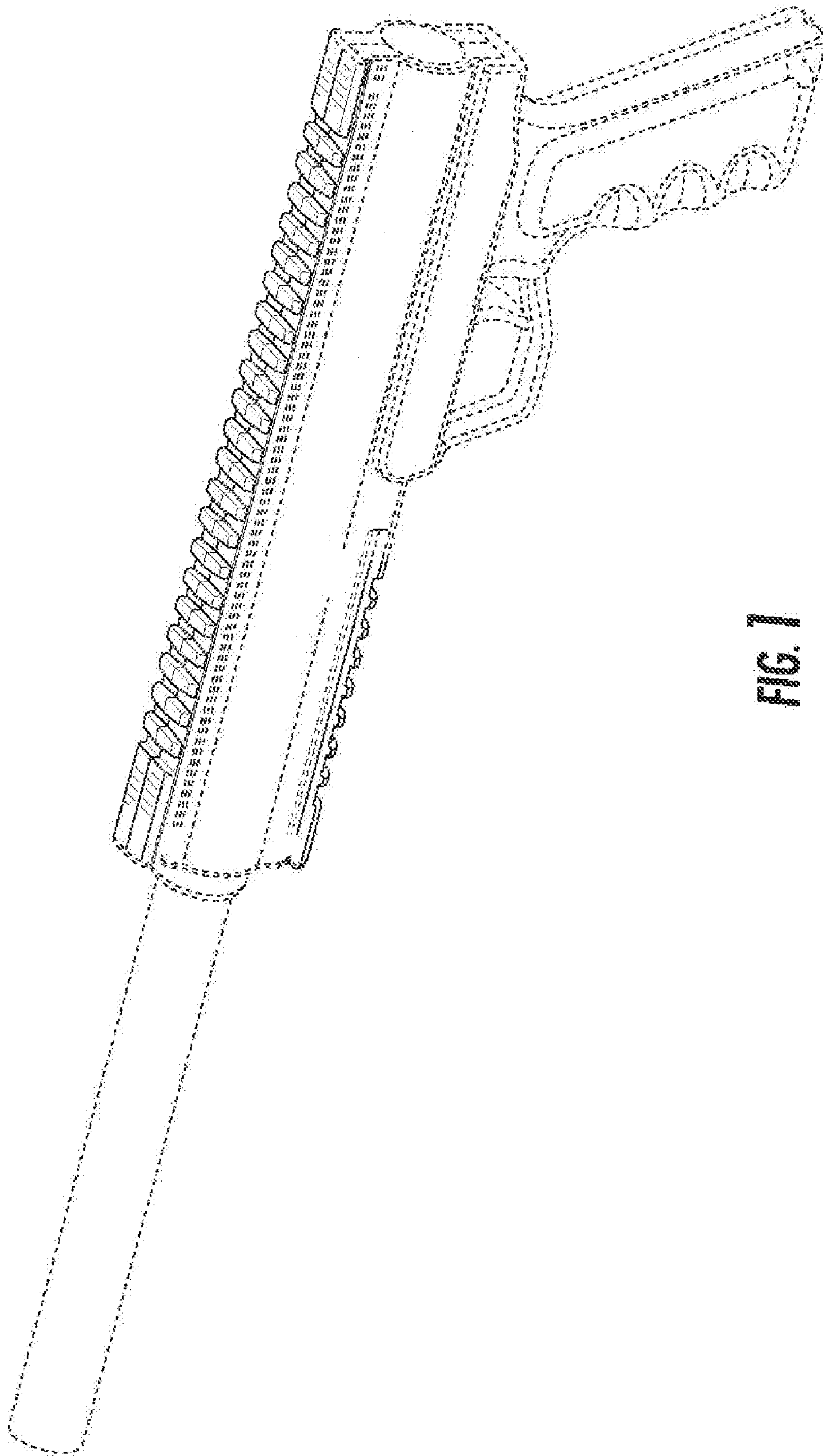


FIG. 1

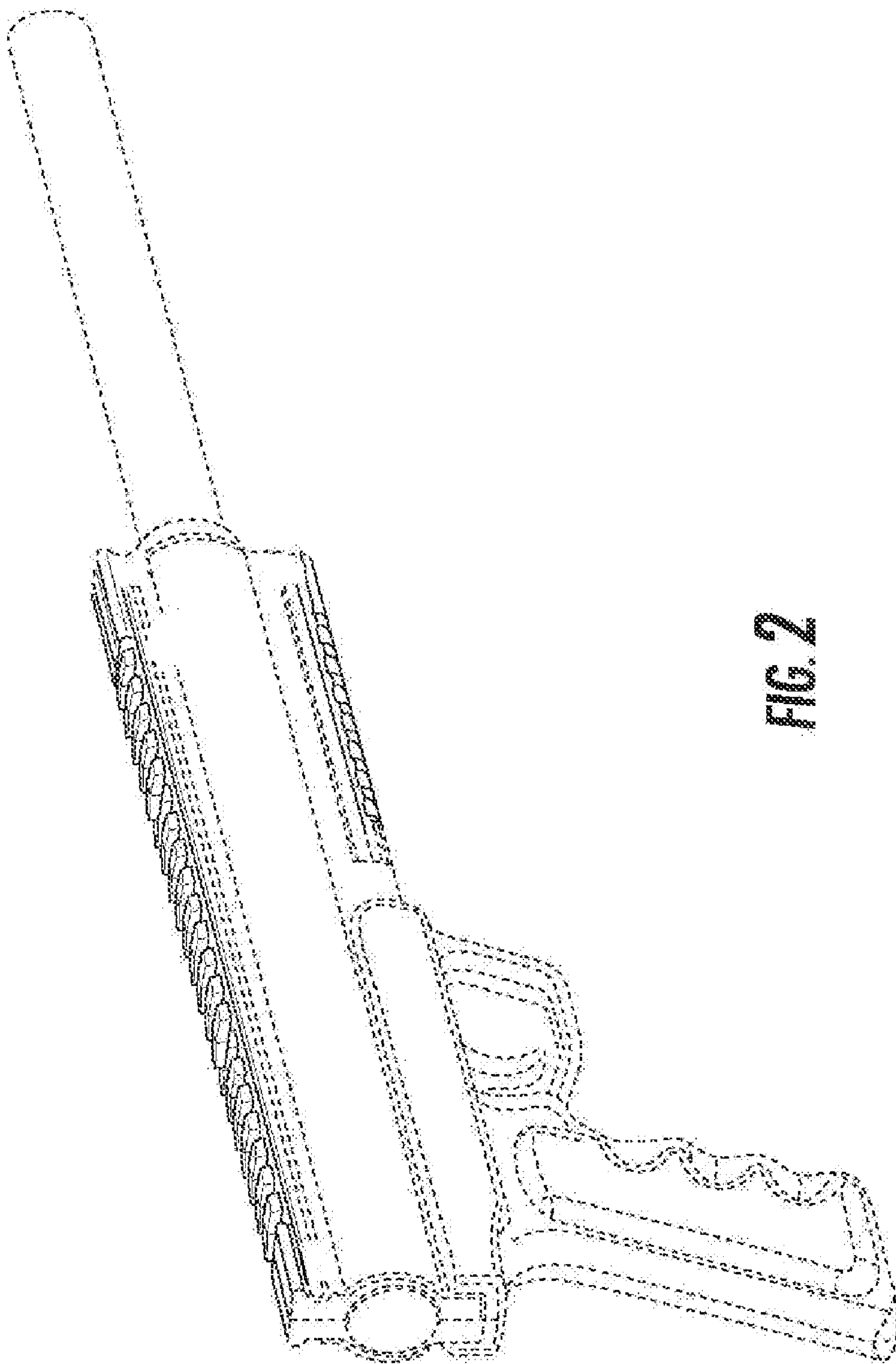


FIG. 2

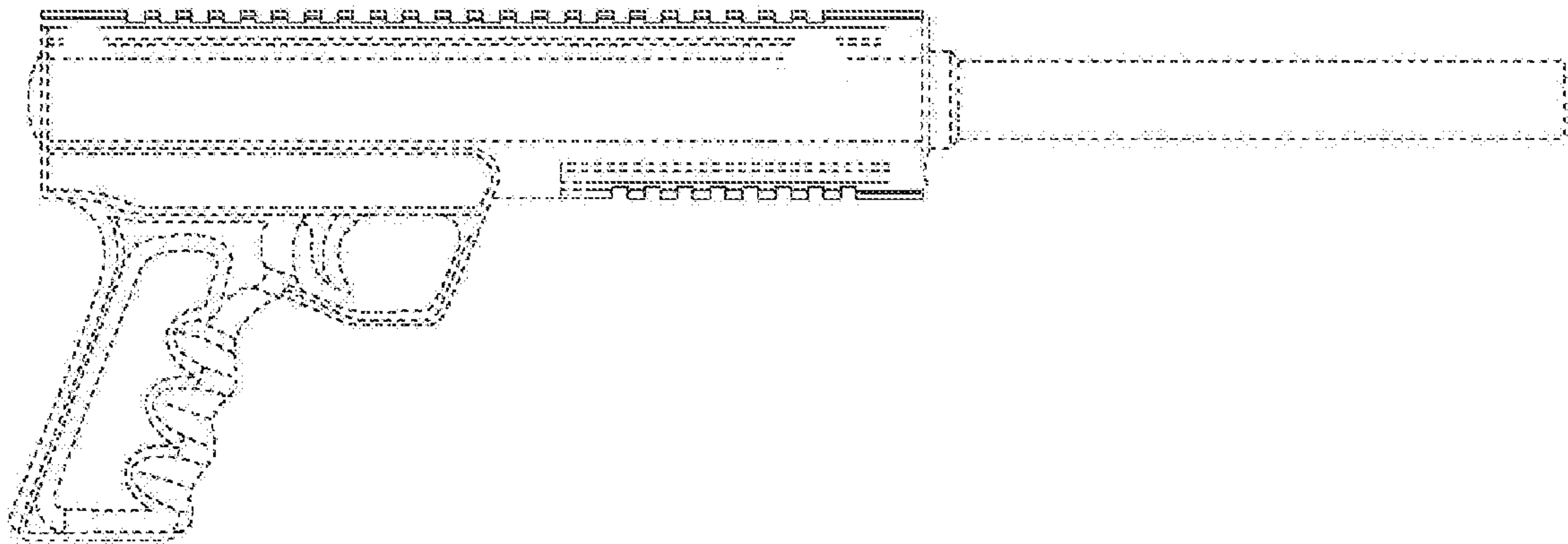


FIG. 3



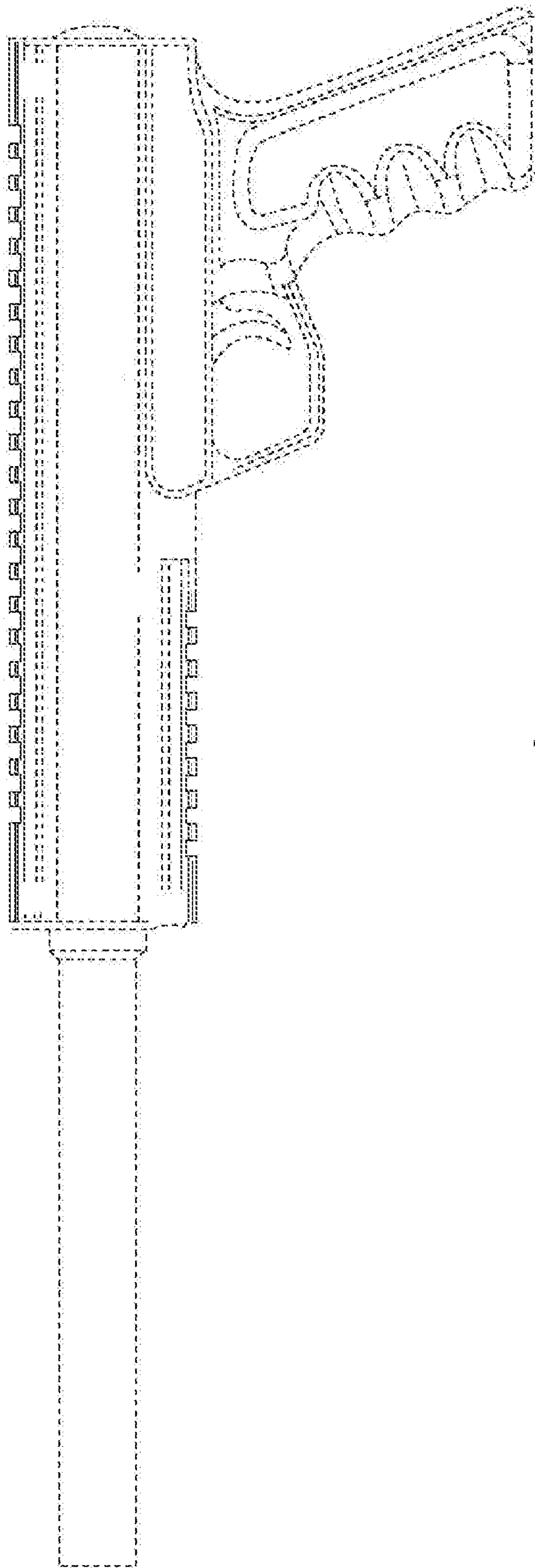


FIG. 4

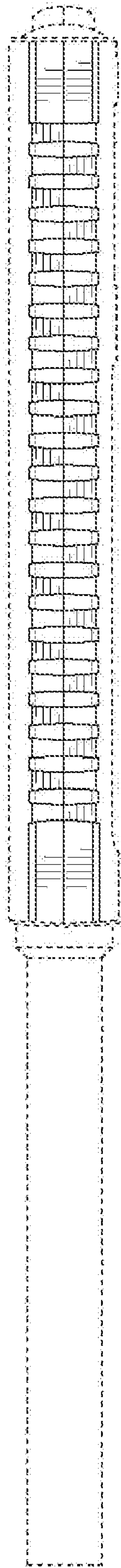


FIG. 5



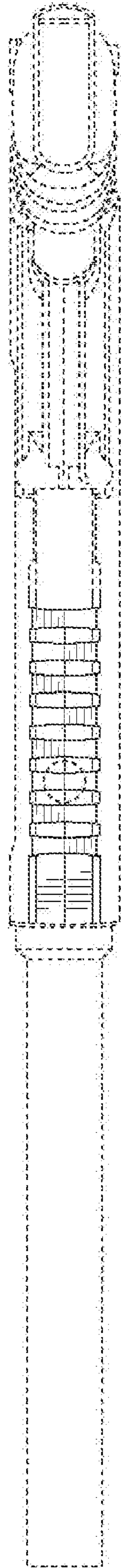


FIG. 6

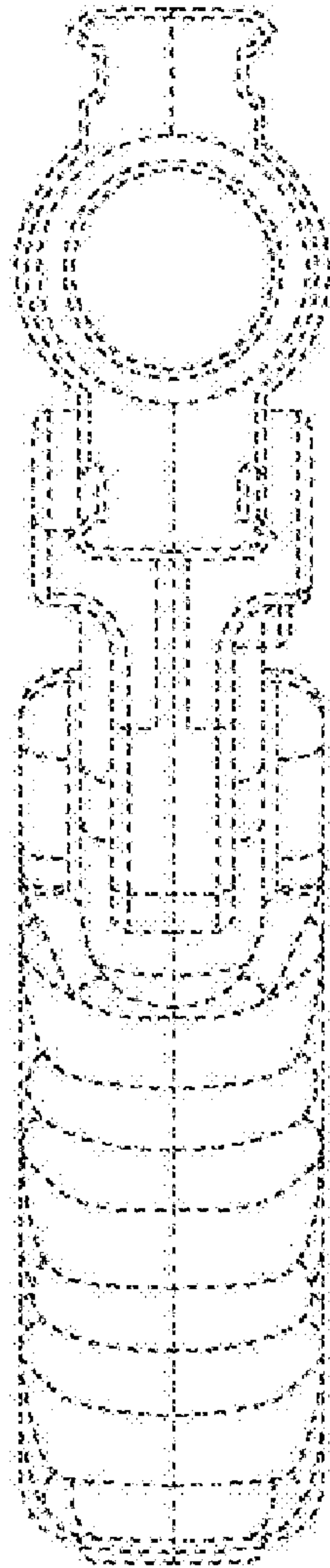


FIG. 7



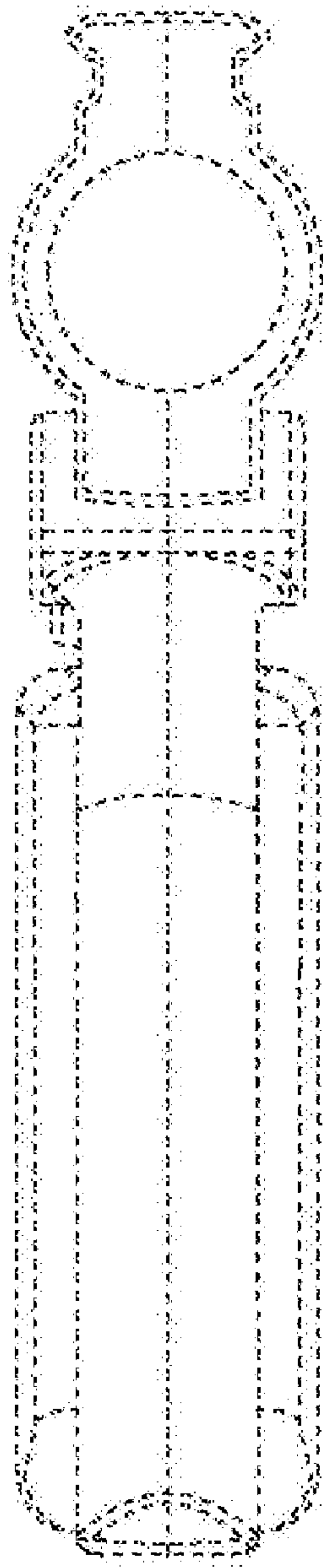


FIG. 8